



US00D328102S

# United States Patent [19]

[11] Patent Number: Des. 328,102

Buzak

[45] Date of Patent: \*\* Jul. 21, 1992

[54] COMBINED HOLDER FOR A MEMO PAD AND FOOD STORE COUPONS

4,401,323	8/1983	Rex	281/45
4,463,848	8/1984	Parker	206/214
4,496,058	1/1985	Harris et al.	211/86
4,802,575	2/1989	Martin	206/232

[76] Inventor: Albert J. Buzak, 108 Cheshire Rd., Daytona Beach, Fla. 32118

[\*\*] Term: 14 Years

Primary Examiner—Nelson C. Holtje  
Assistant Examiner—Martha Thompson  
Attorney, Agent, or Firm—Albert J. Buzak

[21] Appl. No.: 465,011

[22] Filed: Mar. 12, 1990

[52] U.S. Cl. D19/92; D19/78; D19/86

[58] Field of Search D19/36, 52, 65, 75, D19/77, 78, 81-85, 86, 88, 92, 99, 100; 206/232, 214, 425, 459; 248/441.1, 442.2; 40/404, 405; 281/44, 45; 211/86, 50, 69.1

[56] **References Cited**

**U.S. PATENT DOCUMENTS**

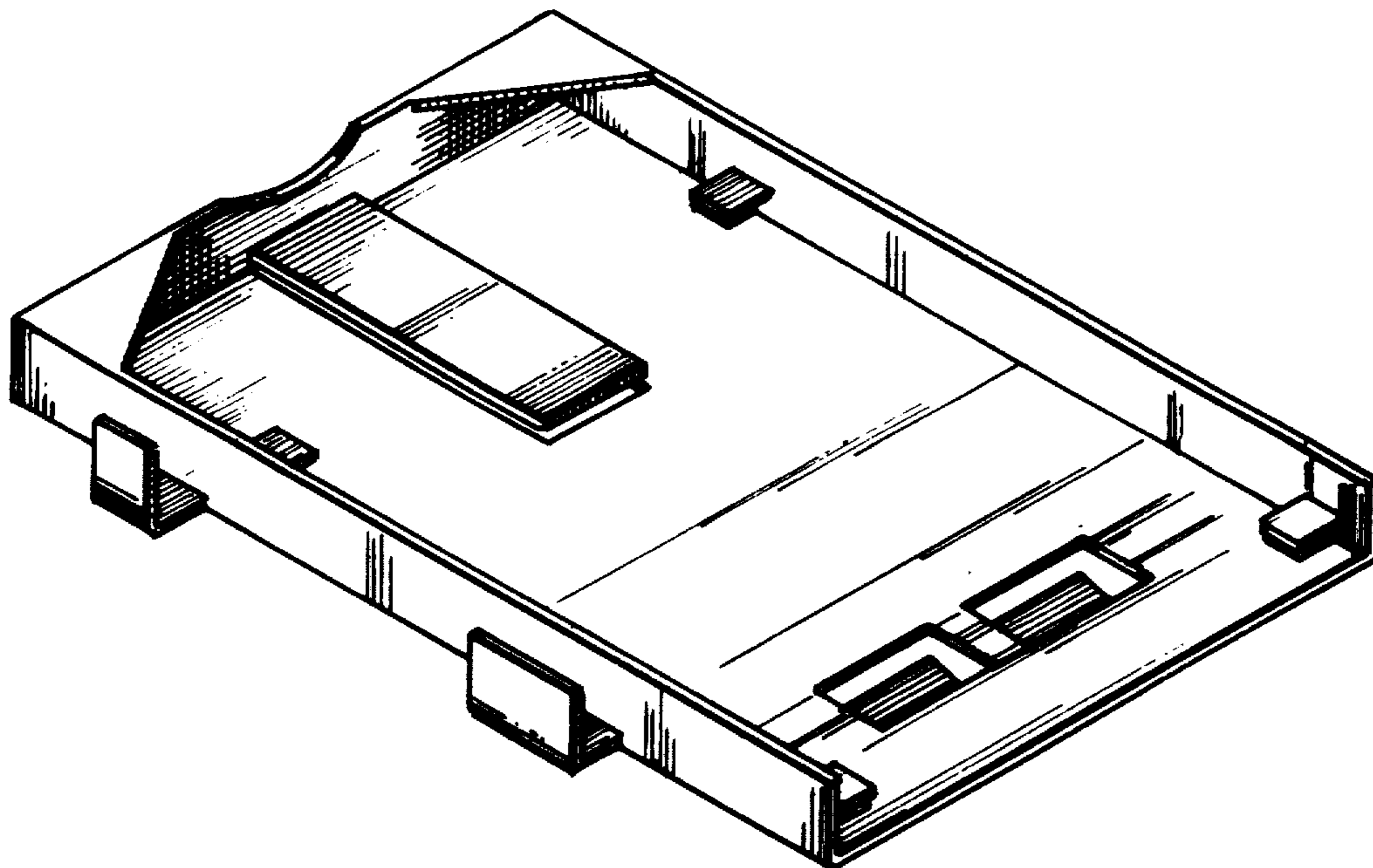
D. 117,667	11/1939	Horsley	D19/92 X
D. 226,241	1/1973	Zelenko	D19/92
D. 246,847	1/1978	Landau et al.	D19/78 X
D. 298,441	11/1988	Bucher	D19/92
D. 299,475	1/1989	Munnik	D19/78
D. 313,629	1/1991	Hoffman	D19/88
710,442	10/1902	Downie	206/425

[57] **CLAIM**

The ornamental design for a combined holder for a memo pad and food store coupons, as shown and described.

**DESCRIPTION**

FIG. 1 is a top, left front perspective view of a combined holder for a memo pad and food store coupons showing my new design; FIG. 2 is a front elevational view; FIG. 3 is a top plan view; FIG. 4 is a right side elevational view; FIG. 5 is a left side elevational view; FIG. 6 is a rear elevational view; and, FIG. 7 is a bottom plan view thereof. FIGS. 2 through 7 have been drawn to a reduced scale with respect to FIG. 1.



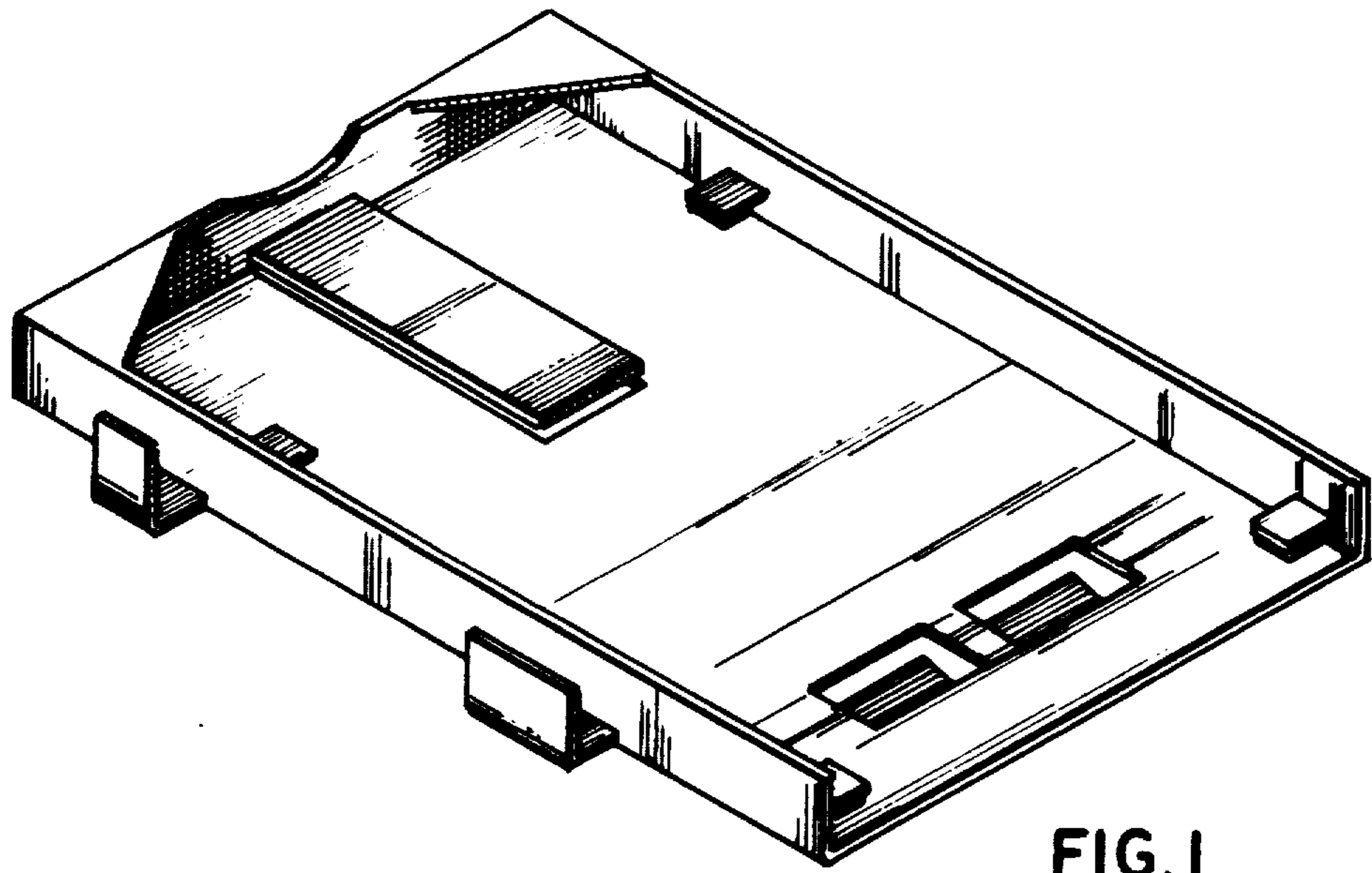


FIG. 1

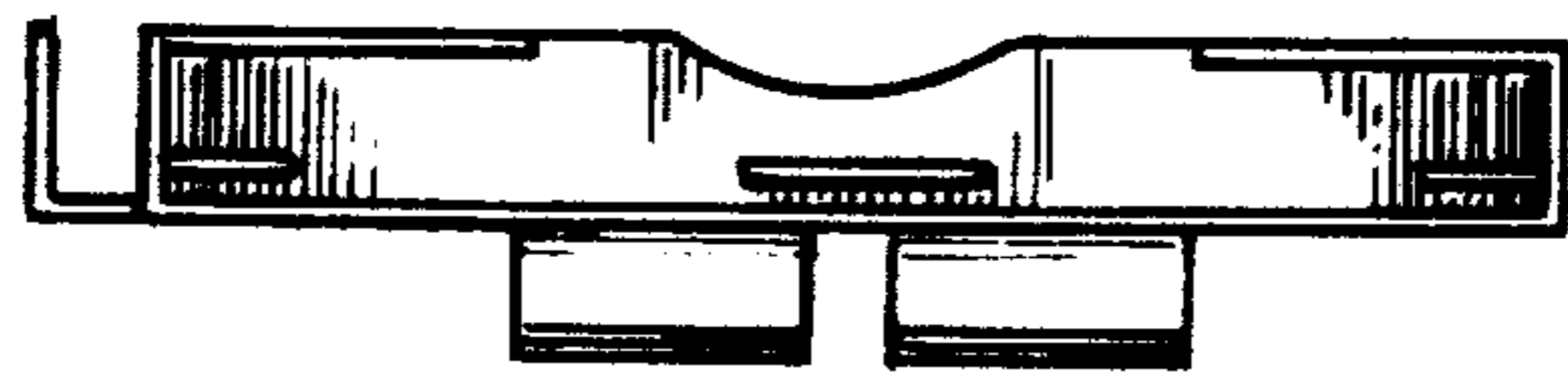


FIG. 2

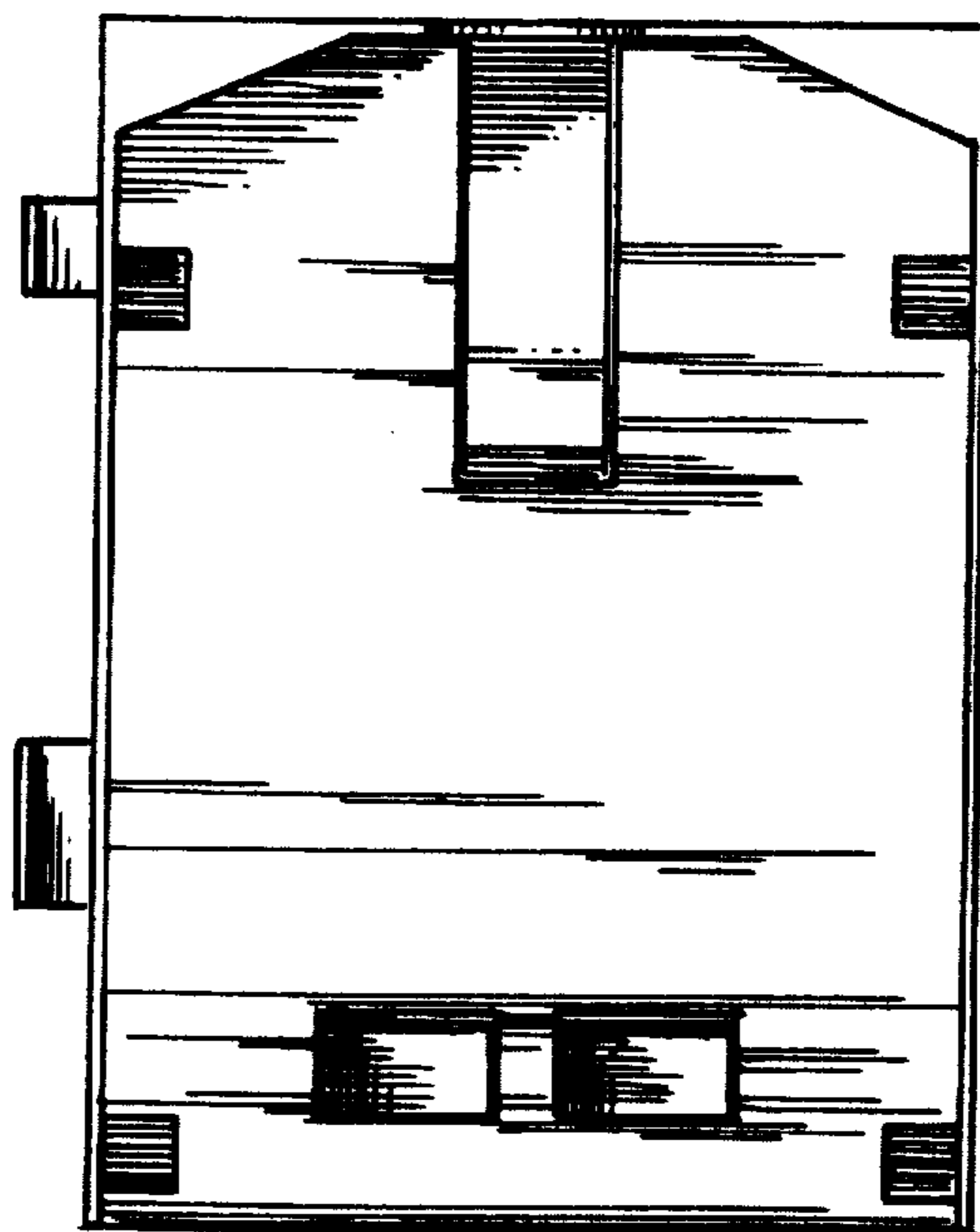


FIG. 3



FIG. 4

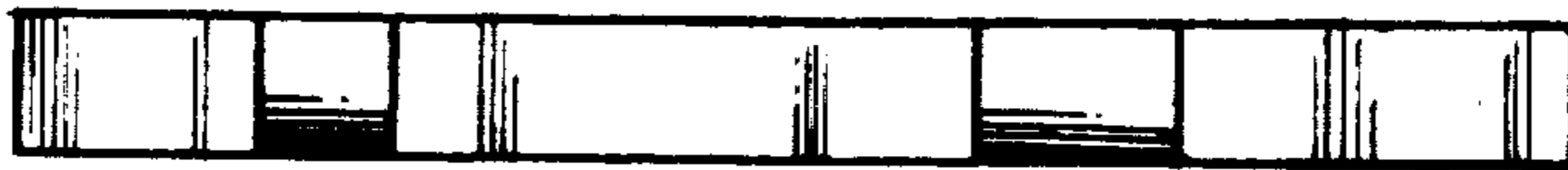


FIG. 5



FIG. 6

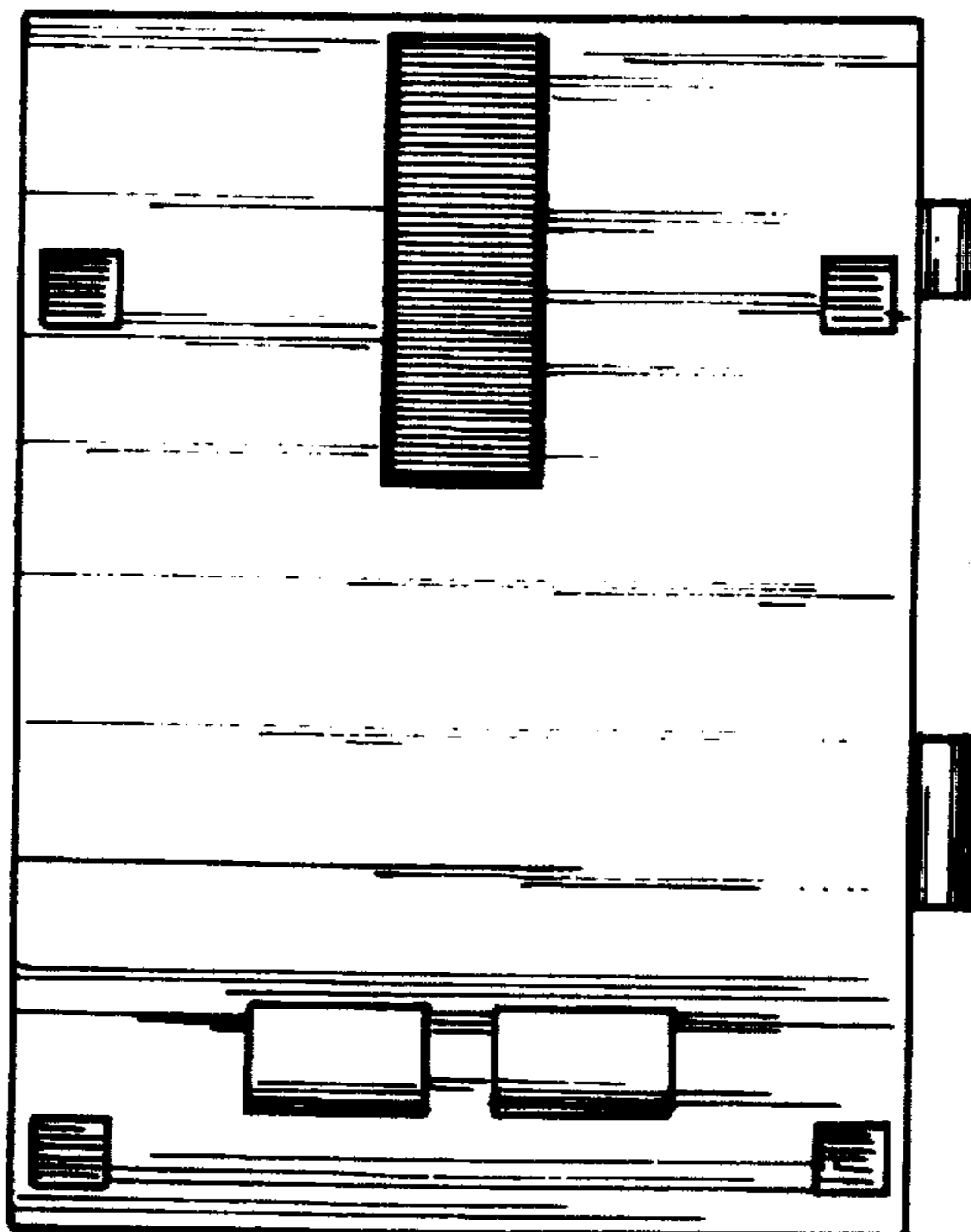


FIG. 7