



US00D328092S

United States Patent [19]

[11] Patent Number: **Des. 328,092**

Inoue et al.

[45] Date of Patent: **** Jul. 21, 1992**

[54] **INK RIBBON CASSETTE**

[75] Inventors: **Ikutaro Inoue, Takizawa, Yuki Oishi, Tamayama**, both of Japan

[73] Assignee: **Alps Electric Co., Ltd.**, Tokyo, Japan

[**] Term: **14 Years**

[21] Appl. No.: **481,466**

[22] Filed: **Feb. 15, 1990**

[30] **Foreign Application Priority Data**

Aug. 15, 1989 [JP] Japan 1-29917

[52] U.S. Cl. **D18/12; D14/121**

[58] Field of Search **D18/12, 22, 99; D14/121; 400/194, 195, 196, 196.1, 207, 208**

[56] **References Cited**

U.S. PATENT DOCUMENTS

D. 268,034 2/1983 Van Voy D18/12

D. 285,808 9/1986 Fuziwara et al. D18/12

D. 302,437 7/1989 Altmann et al. D18/12
3,306,510 2/1967 Brumbaugh 400/196.1 X
4,132,485 1/1979 Hess 400/208
4,921,363 5/1990 Nishihara et al. 400/208 X

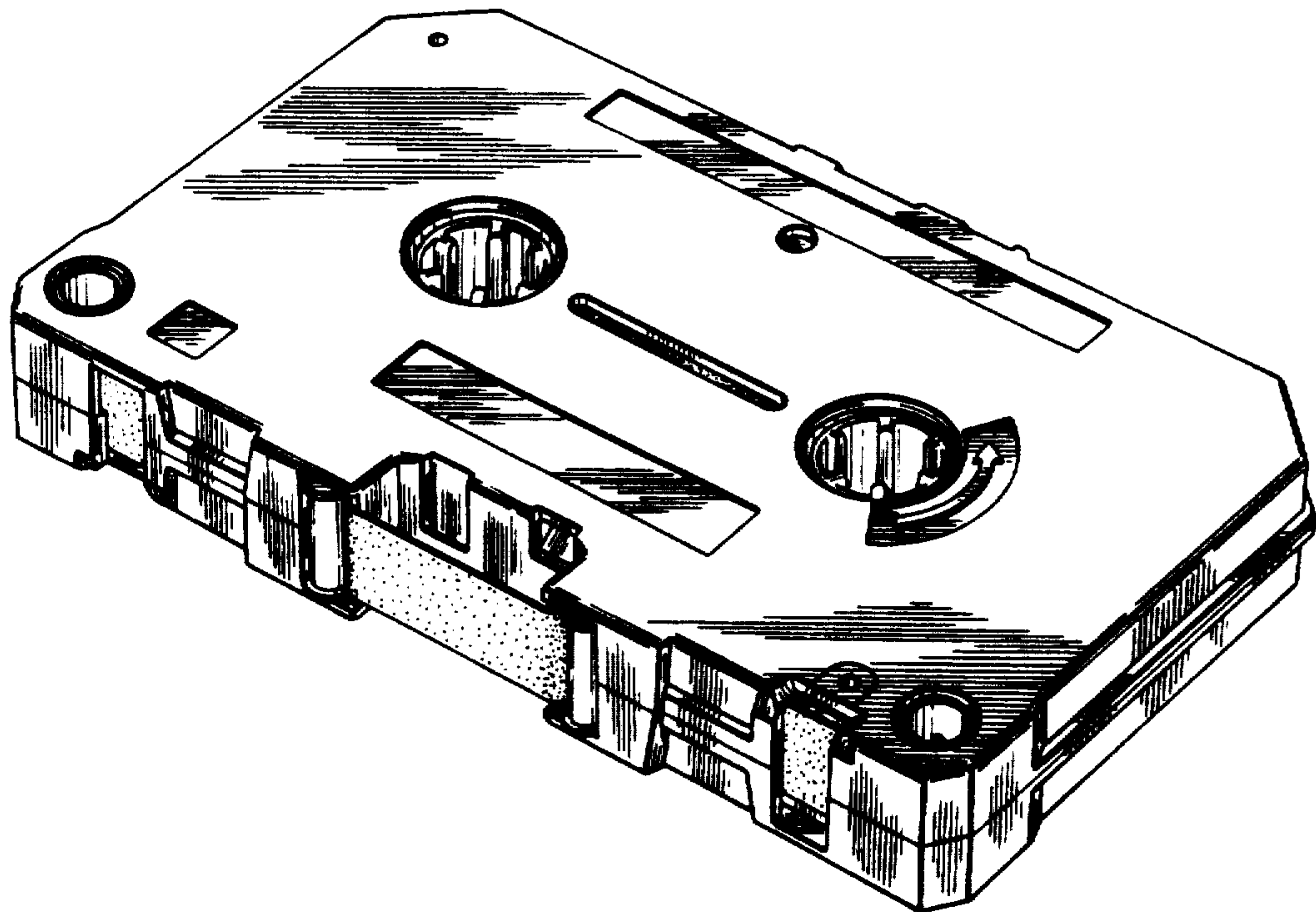
Primary Examiner—Nelson C. Holtje
Assistant Examiner—Caron D. Veynar
Attorney, Agent, or Firm—Guy W. Shoup; Paul J. Winters; B. Noel Kivlin

[57] **CLAIM**

The ornamental design for an ink ribbon cassette, as shown.

DESCRIPTION

FIG. 1 is a top, front and right side perspective view of an ink ribbon cassette showing our new design; FIG. 2 is a front elevational view thereof; FIG. 3 is a top plan view thereof; FIG. 4 is a rear elevational view thereof; FIG. 5 is a bottom plan view thereof; FIG. 6 is a right side elevational view thereof; and, FIG. 7 is a left side elevational view thereof.



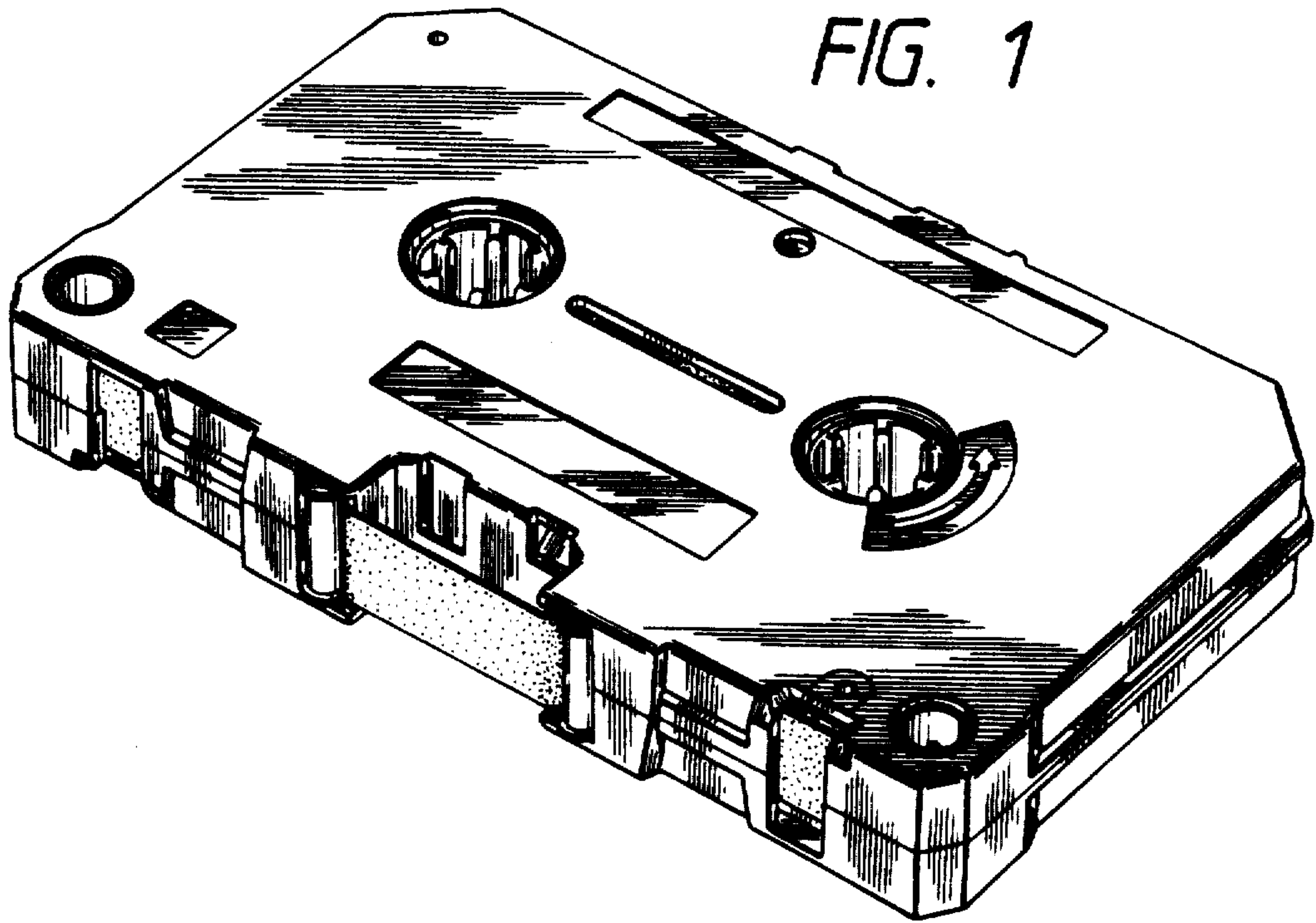


FIG. 2

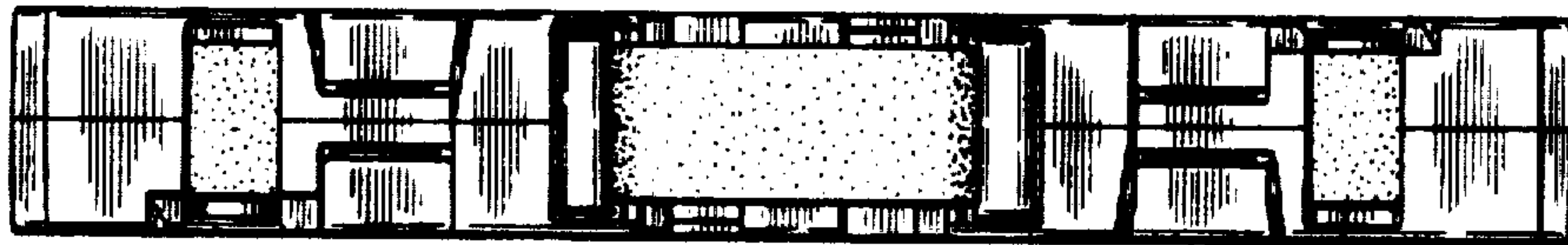


FIG. 3

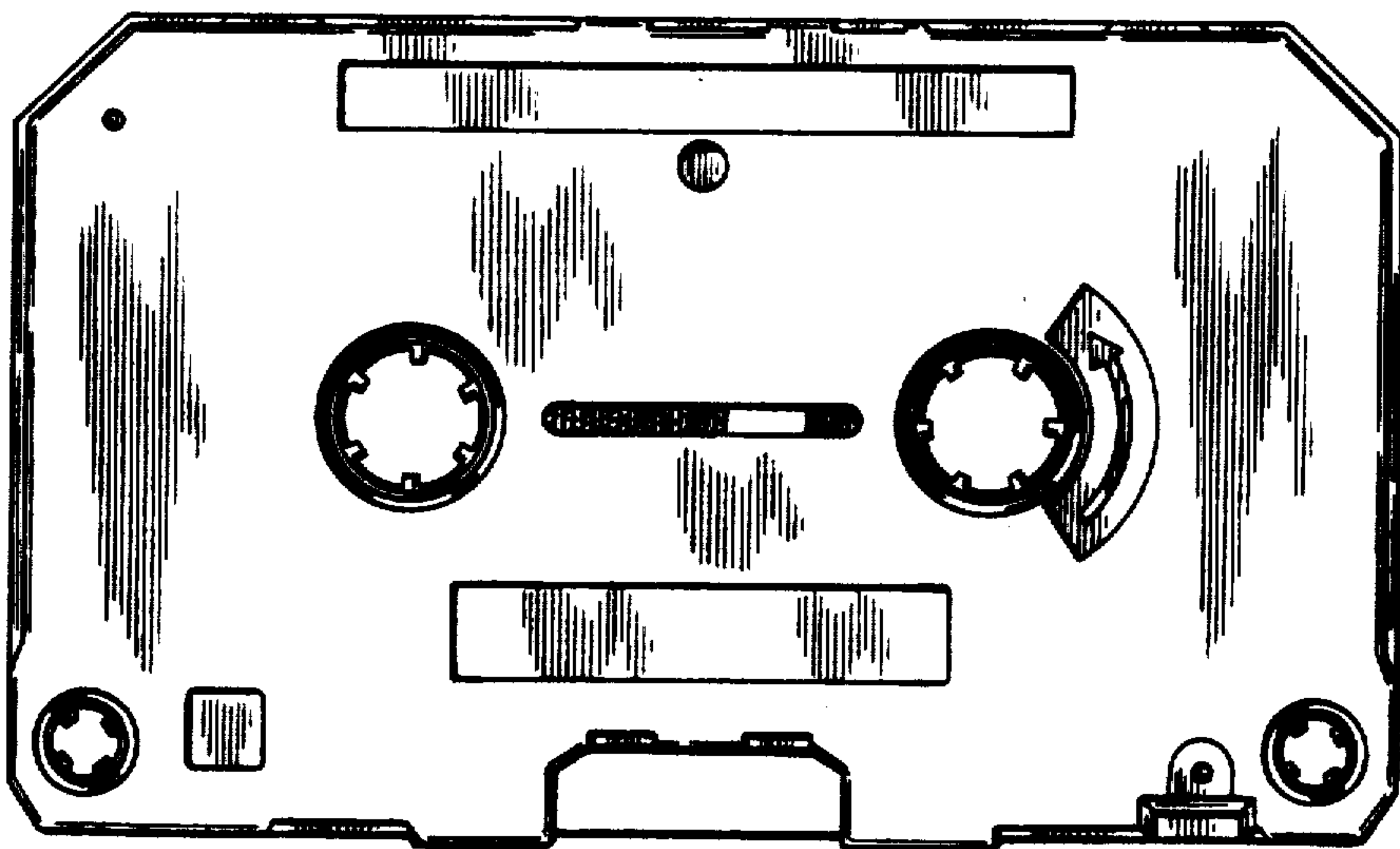


FIG. 4

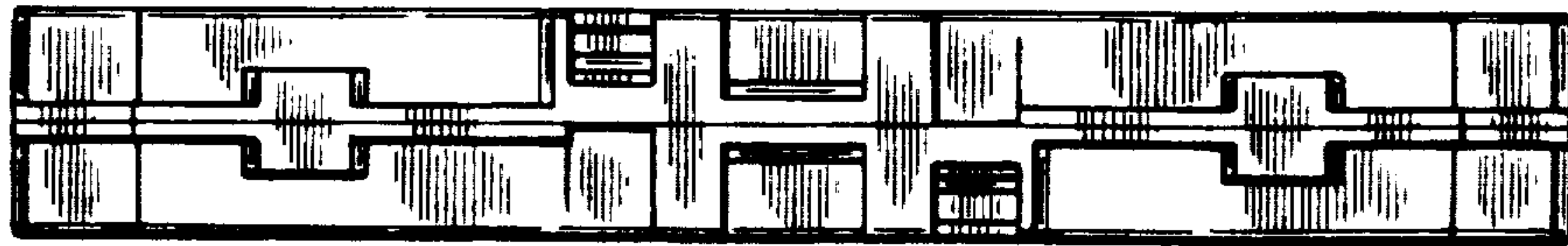


FIG. 5

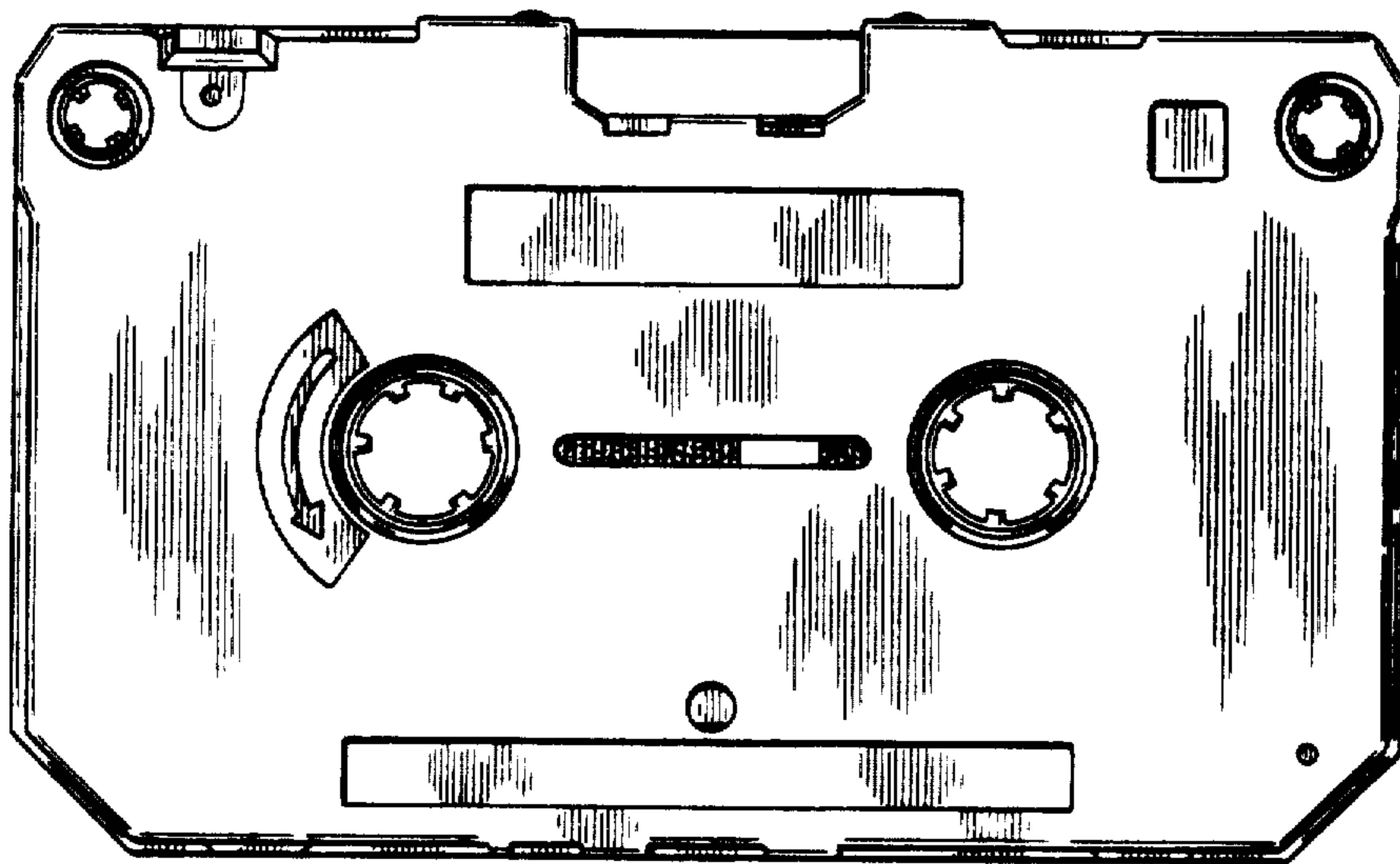


FIG. 6

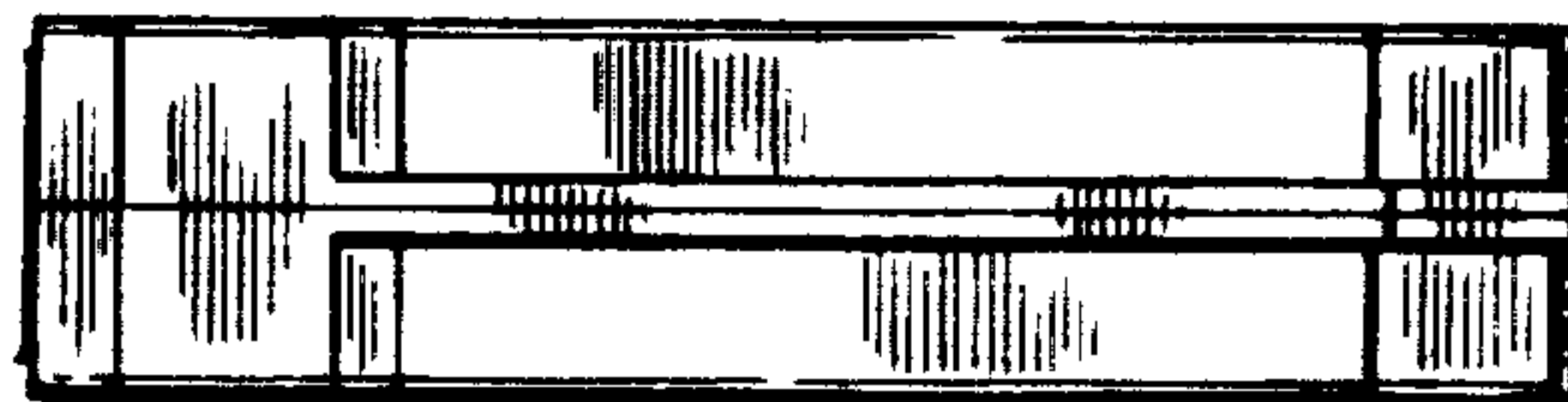


FIG. 7

