



US00D328088S

United States Patent [19]

[11] Patent Number: Des. 328,088

Horino

[45] Date of Patent: ** Jul. 21, 1992

[54] FLASHLIGHT MOUNTING FIXTURE FOR CAMERA

4,104,623	8/1978	Sloop	354/293
4,187,021	2/1980	Balser	354/293
4,296,336	6/1988	Britt, Sr.	D16/239
4,752,794	6/1988	Bohannon	354/81

[75] Inventor: Masao Horino, Tokyo, Japan

[73] Assignee: Minicam Research Corporation, Tokyo, Japan

Primary Examiner—Bernard Ansher
Assistant Examiner—Adir Aronovich
Attorney, Agent, or Firm—Bauer & Schaffer

[**] Term: 14 Years

[21] Appl. No.: 500,667

[57] CLAIM

[22] Filed: Mar. 28, 1990

The ornamental design for a flashlight mounting fixture for camera, as shown and described.

[30] Foreign Application Priority Data

DESCRIPTION

Nov. 13, 1989 [JP] Japan 1-41272

[52] U.S. Cl. D16/239

[58] Field of Search D16/237, 239, 240, 242, D16/243; 354/81, 82, 293, 202

FIG. 1 is a top, front perspective view of a flashlight mounting fixture for a camera showing my new design; FIG. 2 is a front elevational view thereof; FIG. 3 is a top plan view thereof; FIG. 4 is a rear elevational view thereof; FIG. 5 is a bottom plan view thereof; FIG. 6 is a right side elevational view thereof; FIG. 7 is a left side elevational view thereof; and, FIG. 8 is a top, front perspective view thereof, the broken lines showing of the flashlight and the camera is for illustrative purposes only and forms no part of the claim design.

[56] References Cited

U.S. PATENT DOCUMENTS

D. 202,231	9/1965	Schroth	D16/242
D. 250,766	1/1979	Ozawa	D16/239
D. 256,128	7/1980	Borlsoff	D16/243
D. 268,270	3/1983	Östlund	D16/240
D. 302,697	8/1989	Parrish	D16/242

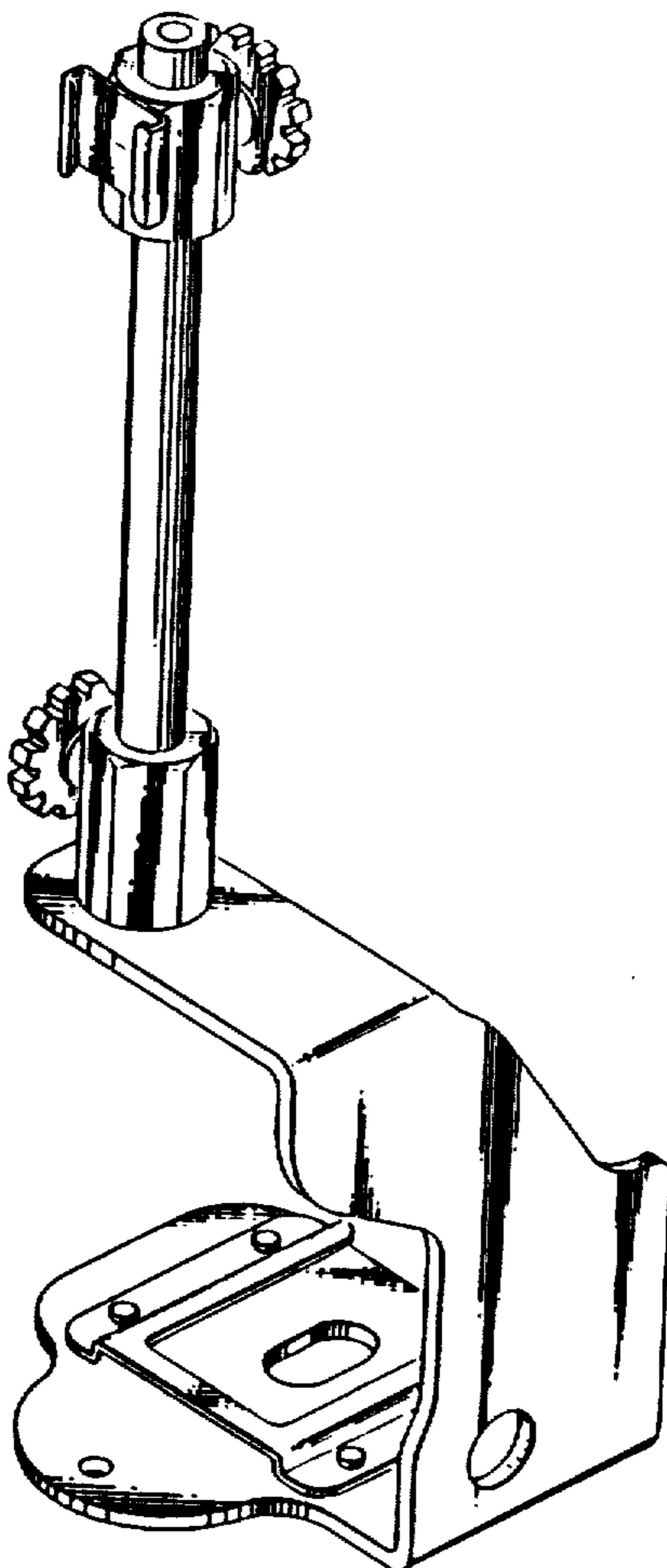


FIG. 1

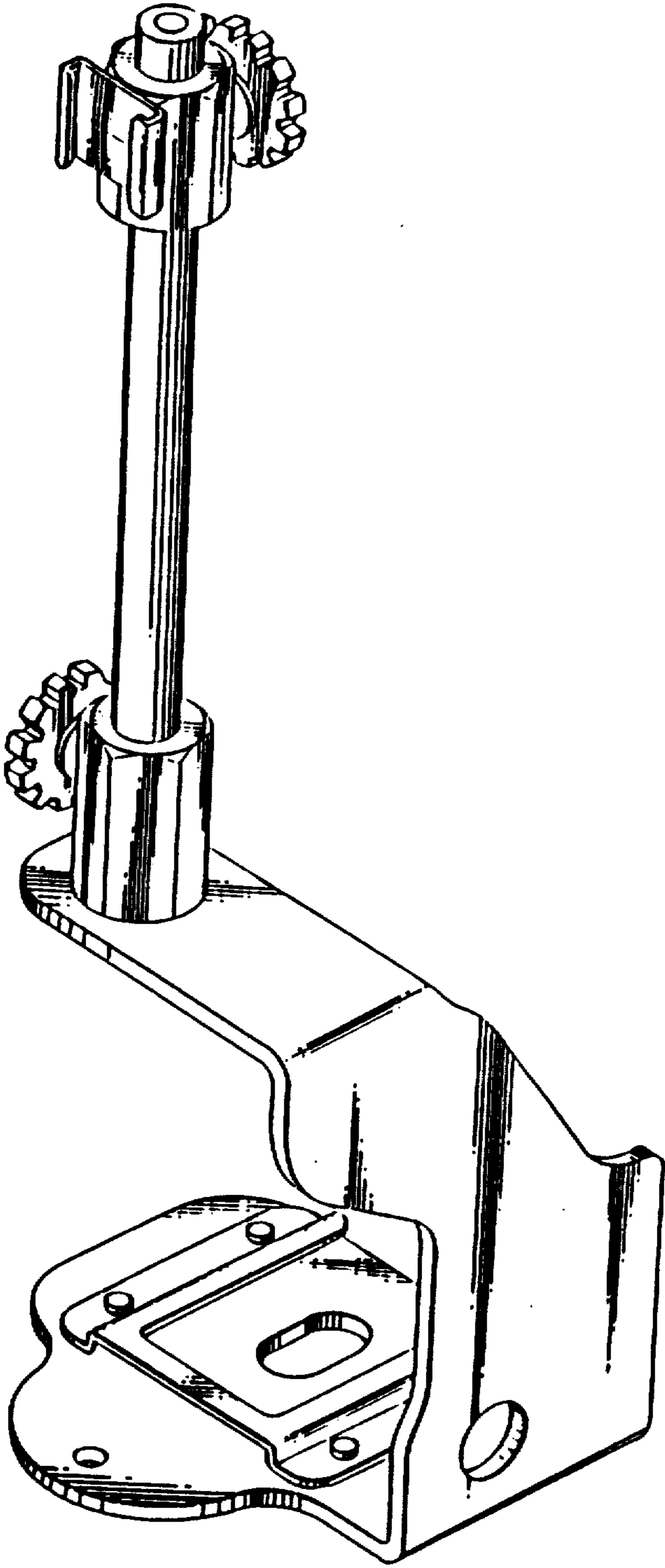


FIG. 2

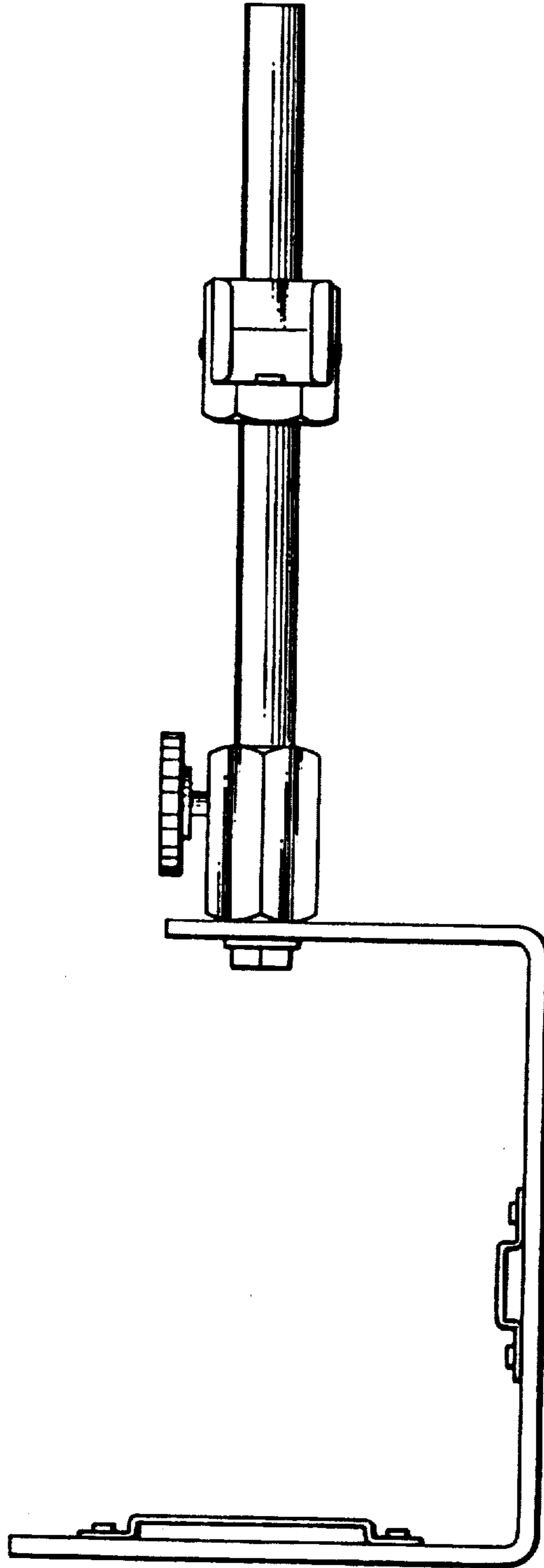


Fig. 3

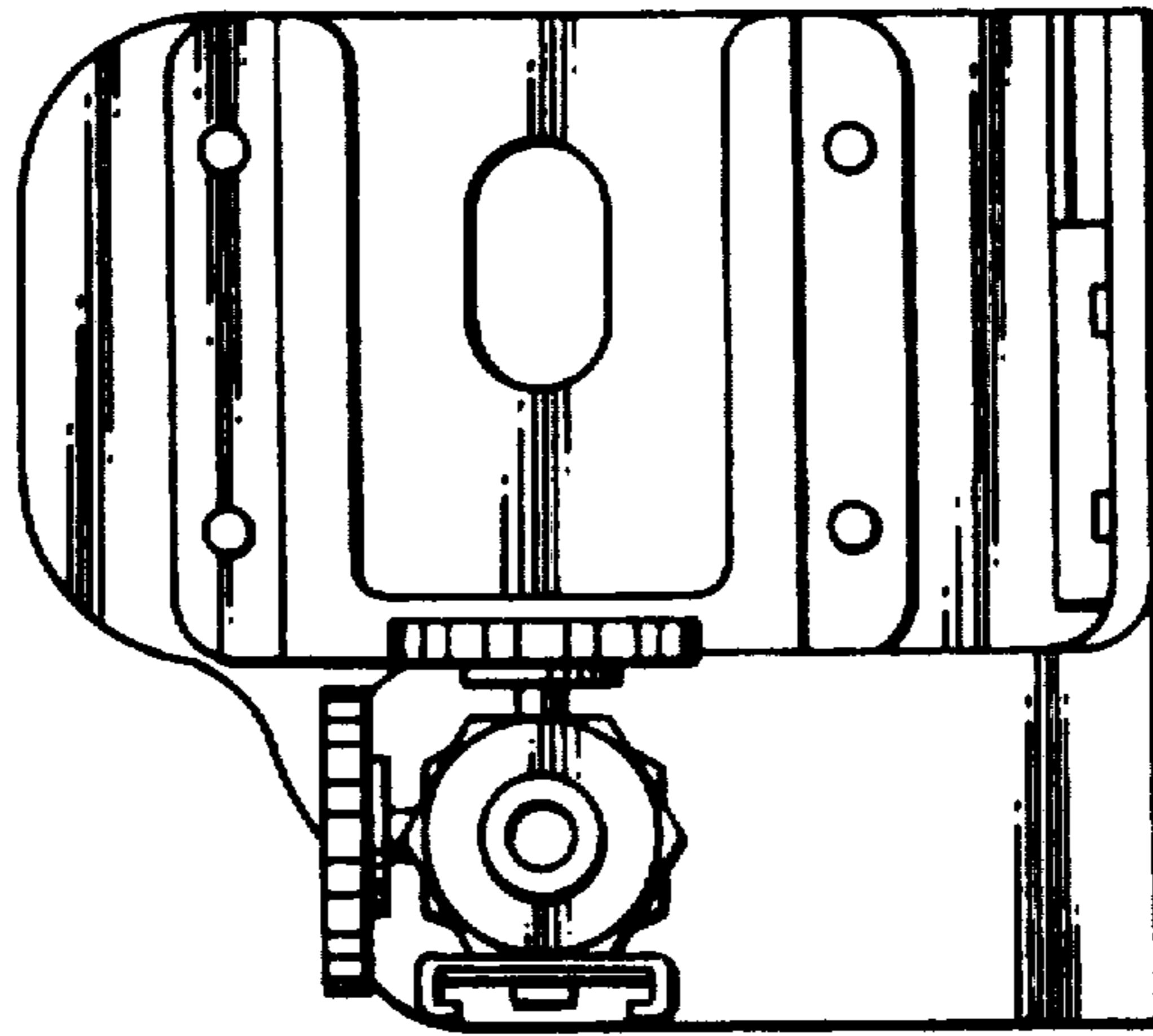


Fig. 5

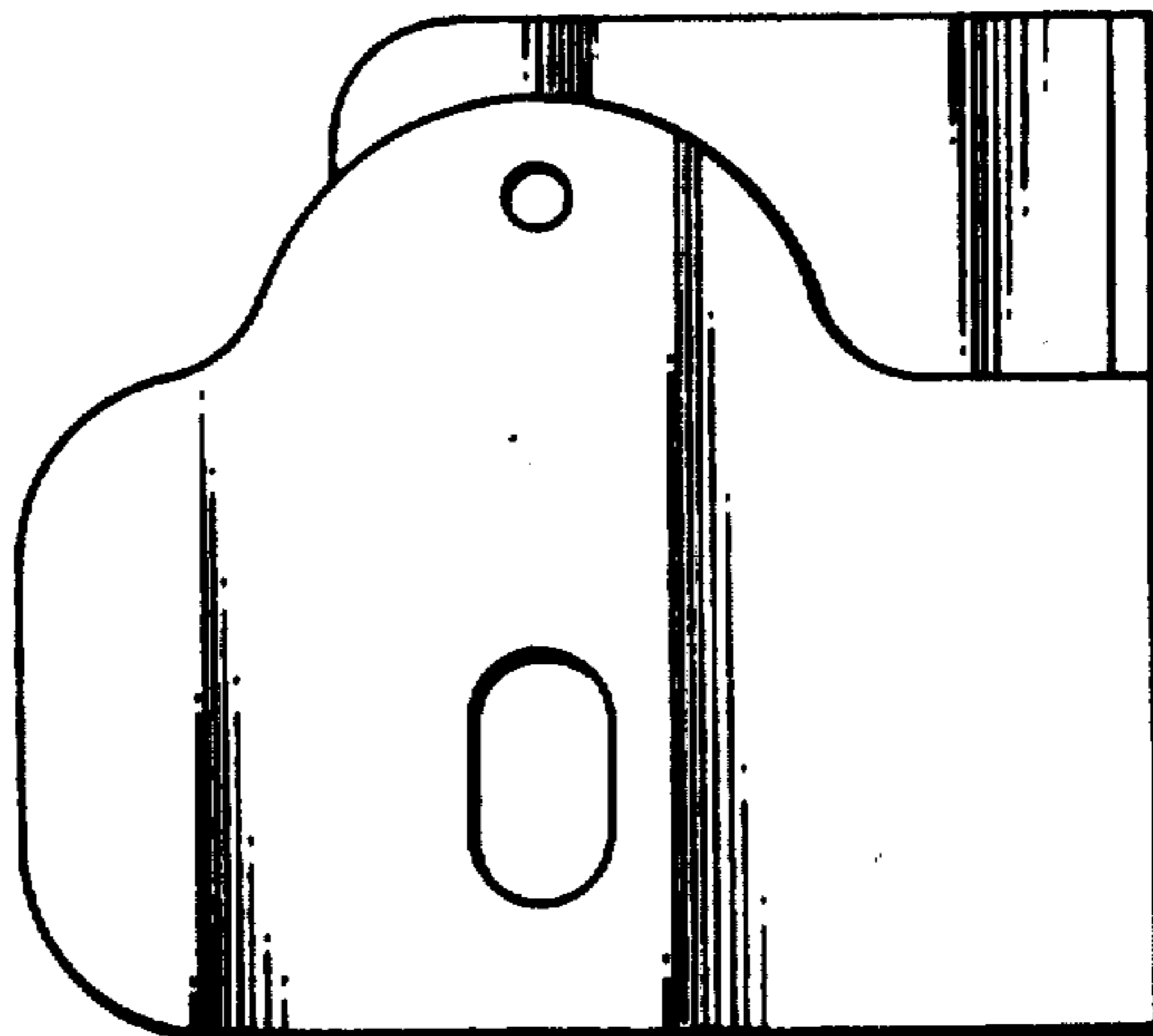


FIG. 4

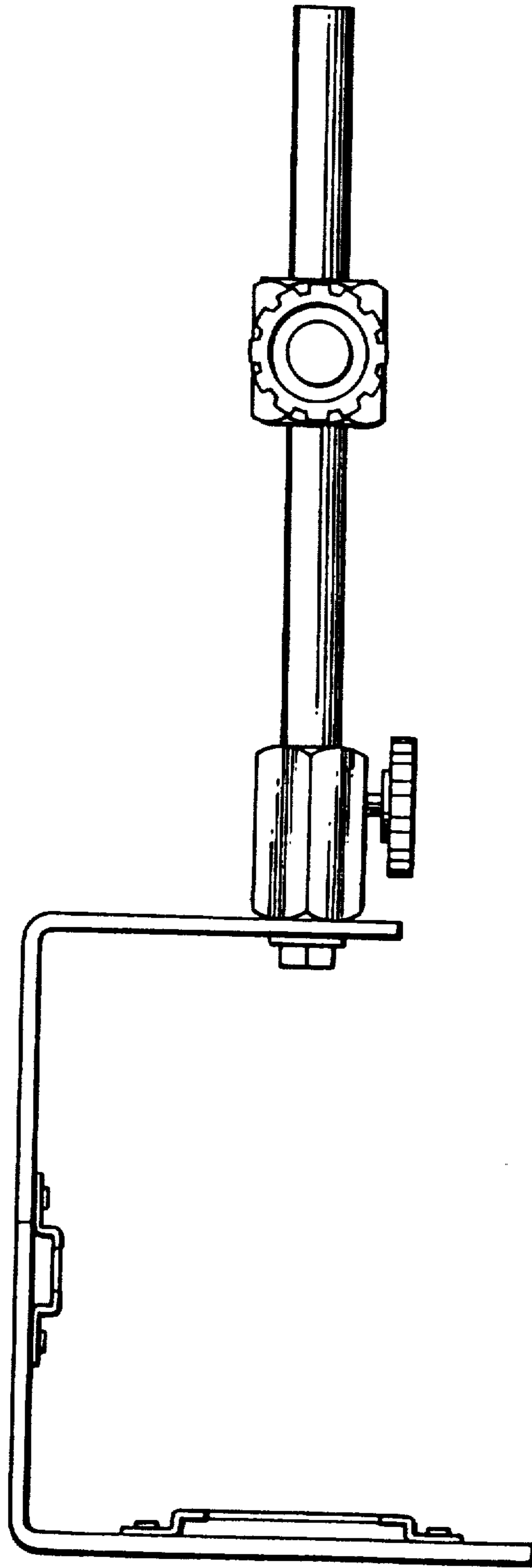


Fig. 7

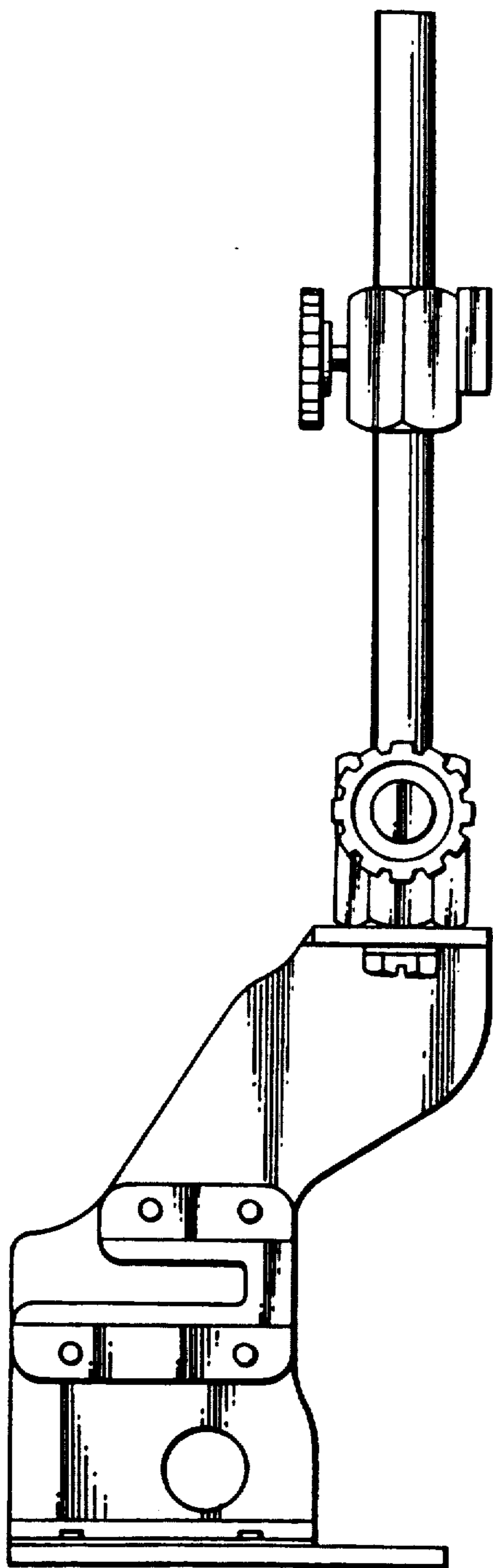


Fig. 6

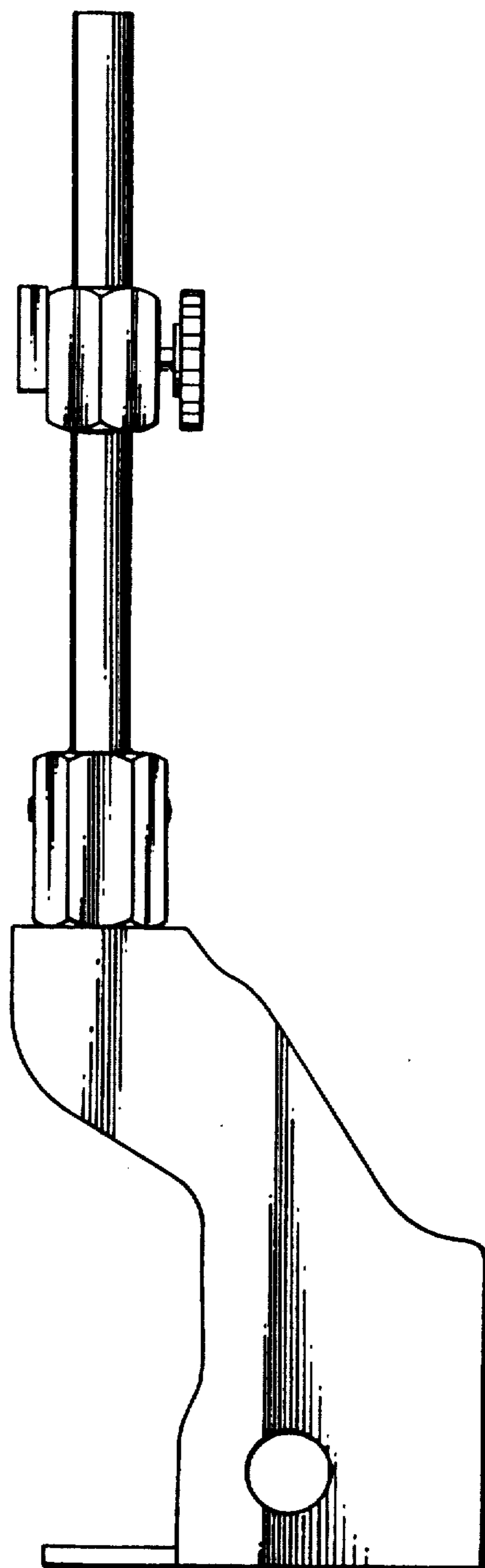


Fig. 8

