



US00D328086S

**United States Patent** [19]  
**Tallmadge**

[11] **Patent Number: Des. 328,086**

[45] **Date of Patent: \*\* Jul. 21, 1992**

- [54] **EYEGGLASS CLASP FOR POCKET CLIP**
- [76] **Inventor: Wilbur Tallmadge, 510 Child St.,  
106C Waterview, Warren, R.I. 02885**
- [\*\*] **Term: 14 Years**
- [21] **Appl. No.: 627,402**
- [22] **Filed: Dec. 14, 1990**
- [52] **U.S. Cl. .... D16/129**
- [58] **Field of Search ..... D16/129; D8/373;  
D6/466, 462, 475, 467, 476, 453, 314, 310;  
D21/166, 167; D3/34; 248/902; 211/13;  
206/5.1, 316.1, 454; 359/811; D19/59**

*Primary Examiner*—Bernard Ansher  
*Assistant Examiner*—R. Barkai  
*Attorney, Agent, or Firm*—Robert J. Doherty

[57] **CLAIM**

The ornamental design for an eyeglass clasp for pocket clip, as shown and described.

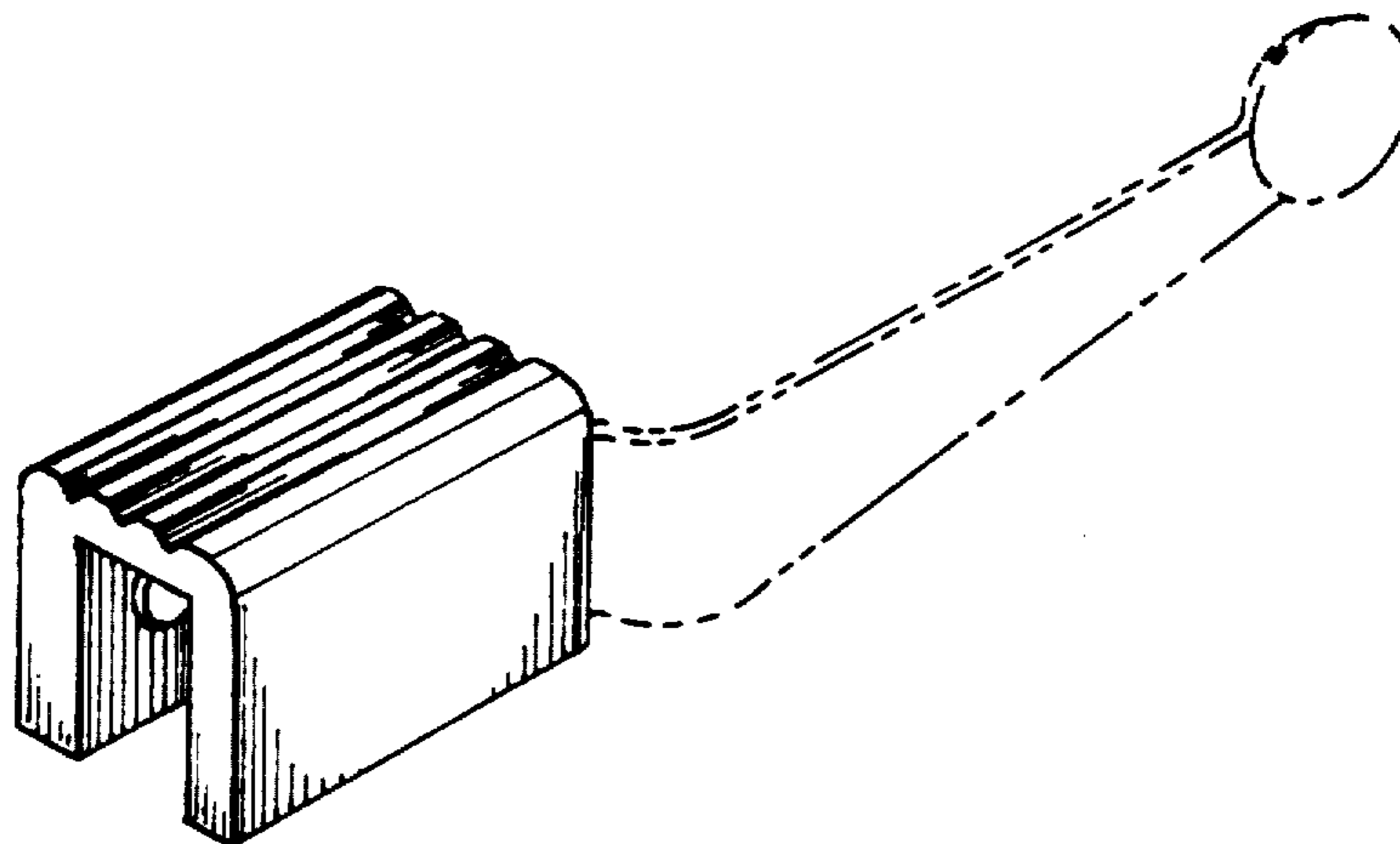
**DESCRIPTION**

FIG. 1 is a front perspective view of a eyeglass clasp for pocket clip showing my new design, the broken line showing of the pocket clip portion is for illustrative purposes only and forms no part of the claimed design; FIG. 2 is a front elevational view thereof; FIG. 3 is a top plan view thereof; FIG. 4 is a rear elevational view thereof; FIG. 5 is bottom plan view thereof; FIG. 6 is a left side view thereof; and FIG. 7 is a right side view thereof; FIG. 8 is a second modified embodiment of the design shown in FIGS. 1-7. FIG. 9 is a front elevational view thereof; FIG. 10 is a top plan view thereof; FIG. 11 is a rear elevational view thereof; FIG. 12 is a bottom plan view thereof; FIG. 13 is a left side view thereof; and, FIG. 14 is a right side view thereof.

[56] **References Cited**

**U.S. PATENT DOCUMENTS**

47,896	9/1915	Riker .....	D19/59
D. 121,335	7/1940	Kahn .....	D19/56
D. 247,420	3/1978	Reynolds .....	D8/373
D. 276,110	10/1984	Savelkouls .....	D6/467
D. 289,852	5/1987	Tuvesson .....	D8/373
2,049,684	8/1936	Bongiovanni .....	D16/129
2,467,251	4/1949	Bowman .....	248/902
2,618,390	11/1952	Johnson .....	211/13
3,123,208	3/1964	Barnum .....	211/13



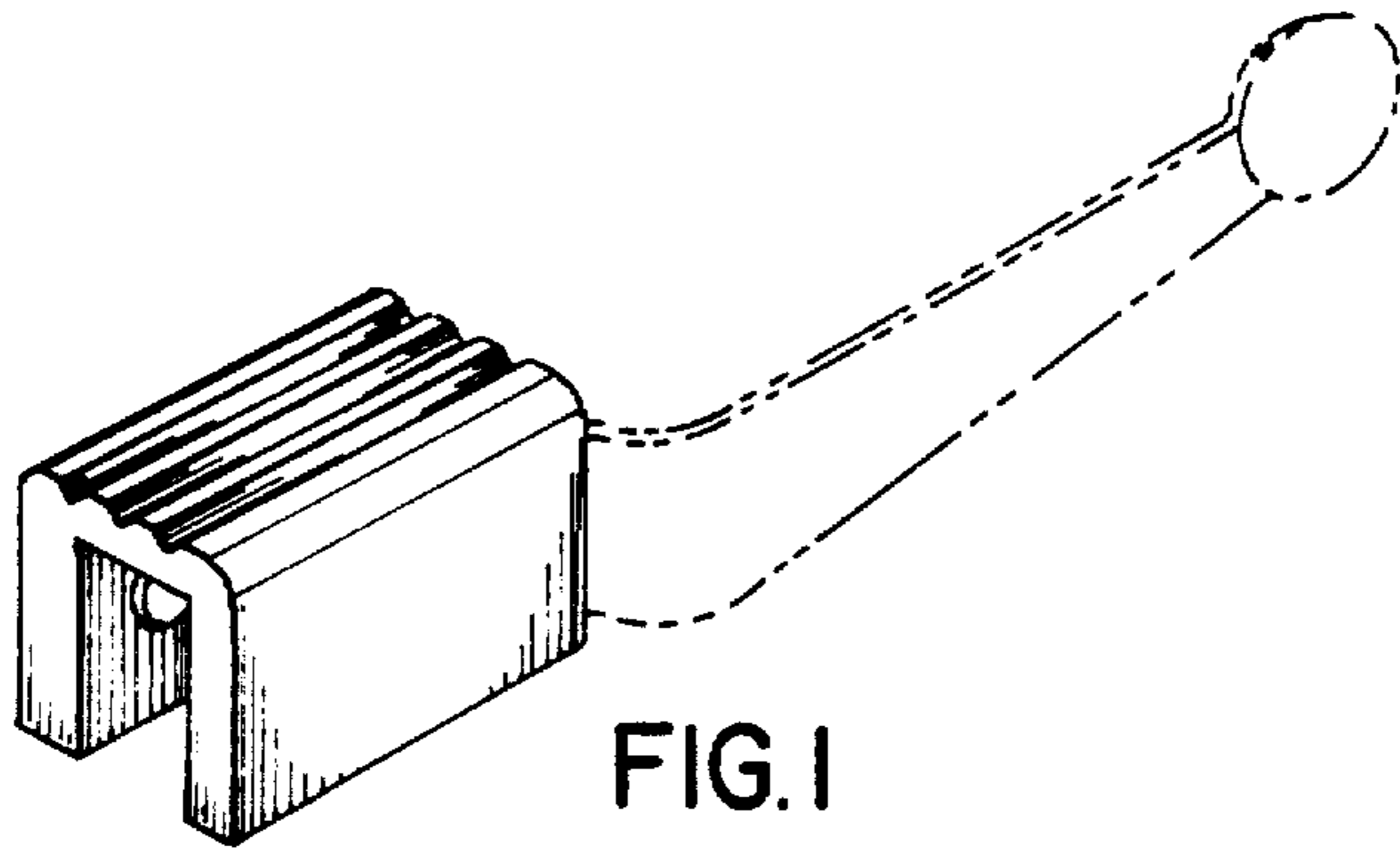


FIG. 1

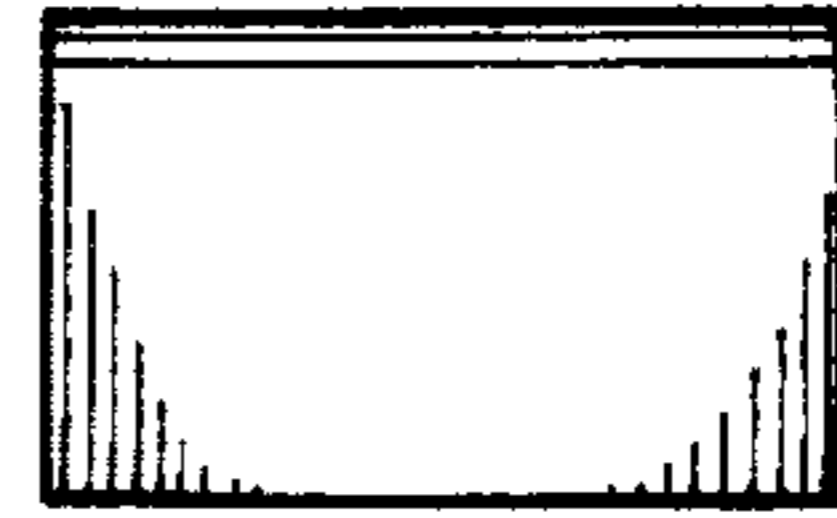


FIG. 2

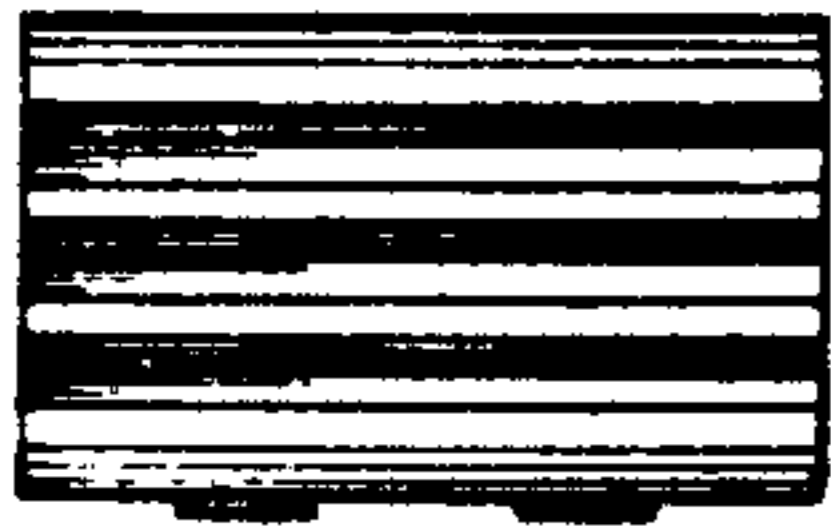


FIG. 3

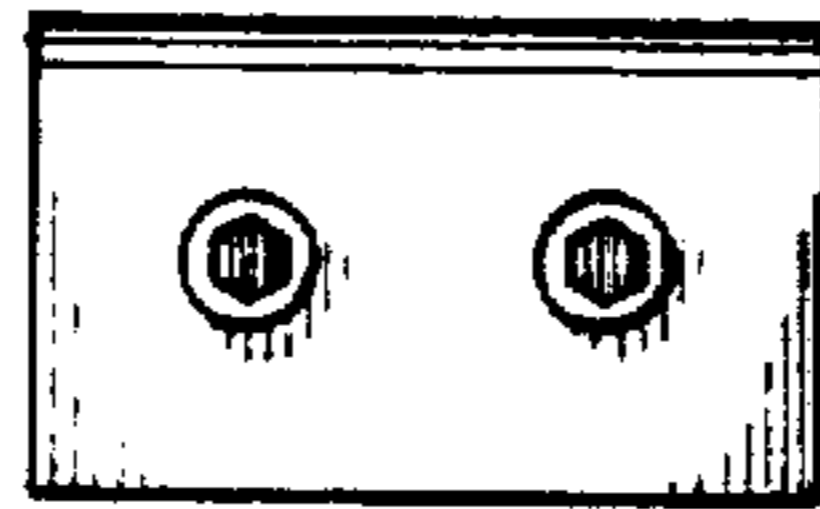


FIG. 4

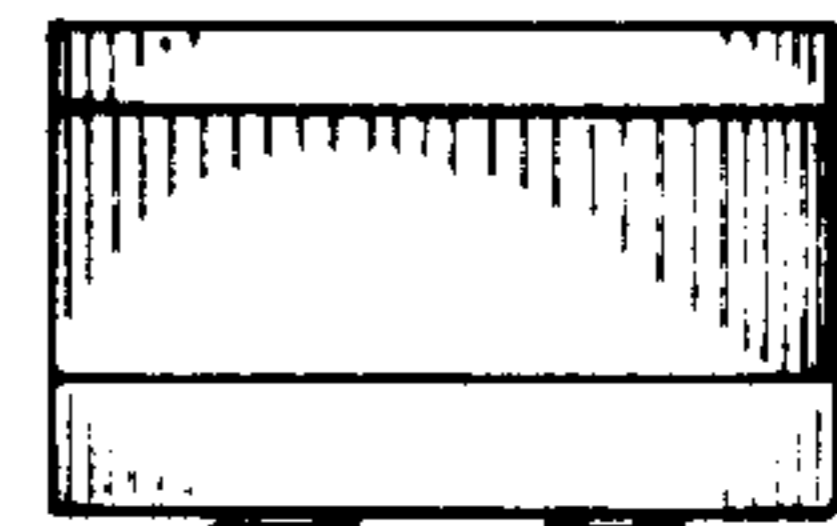


FIG. 5

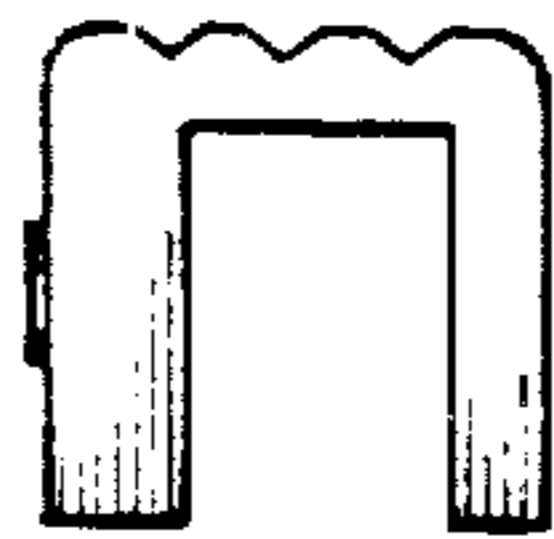


FIG. 6

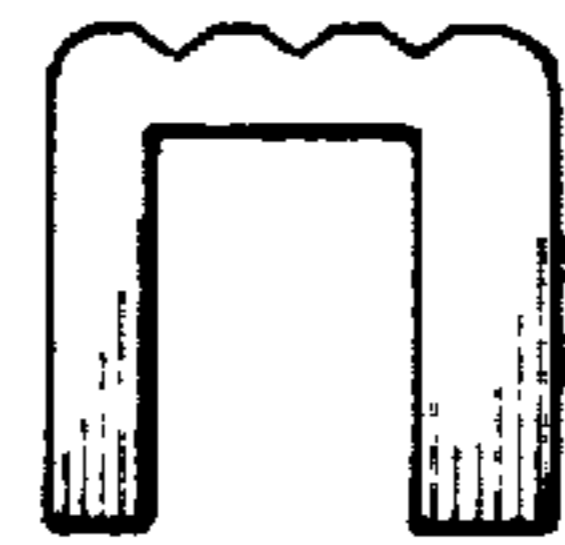


FIG. 7

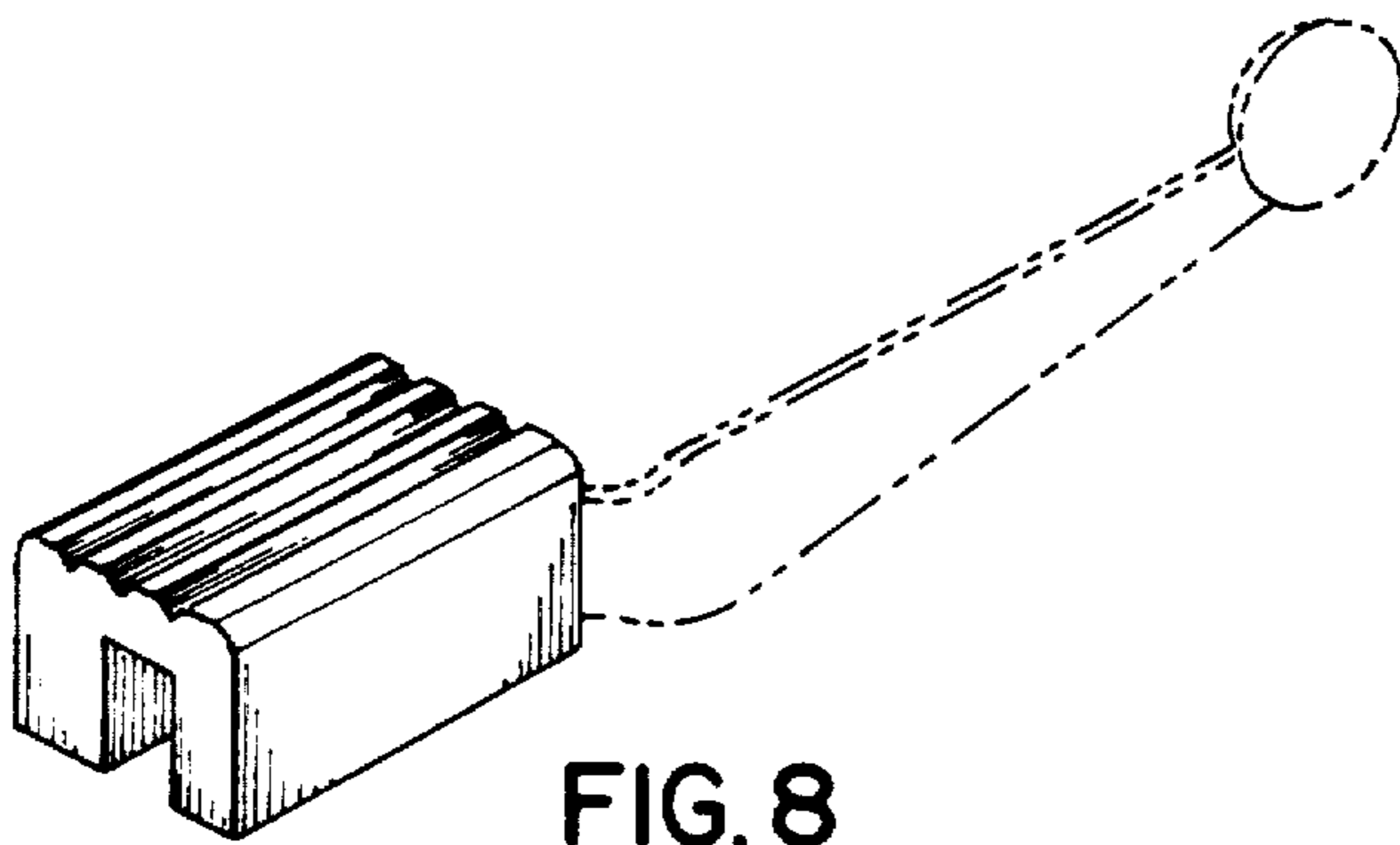


FIG. 8

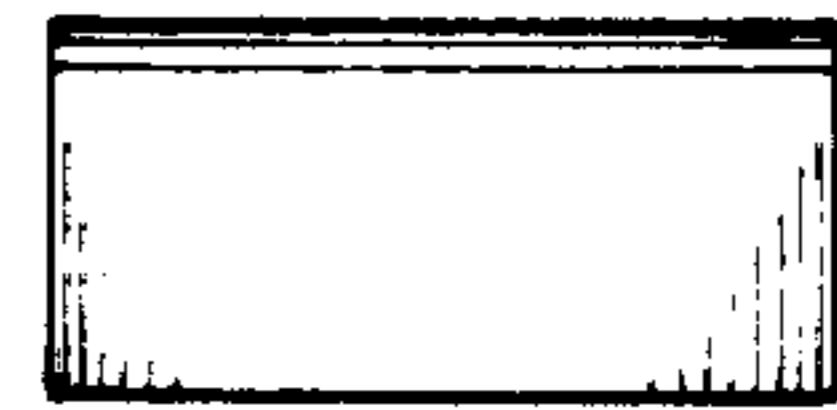


FIG. 9

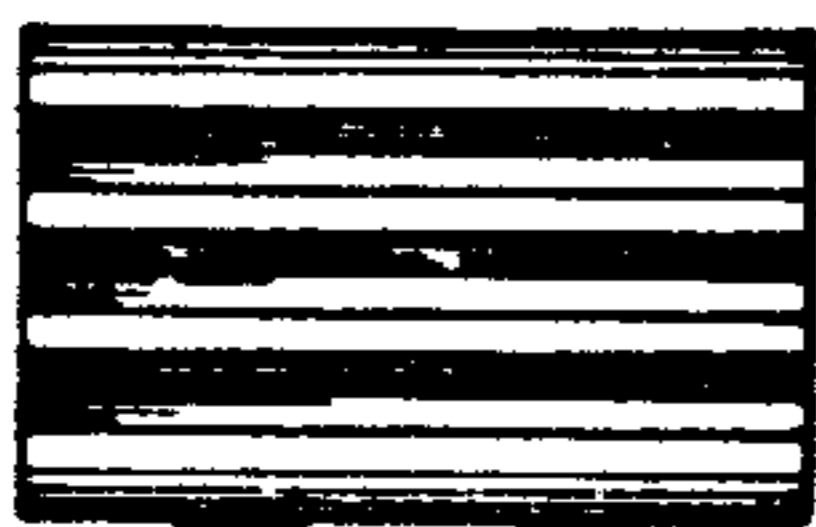


FIG. 10



FIG. 11

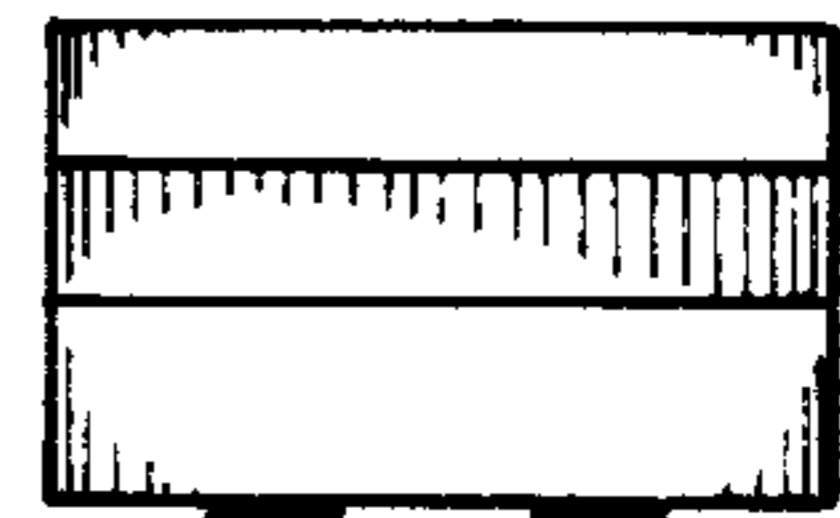


FIG. 12



FIG. 13

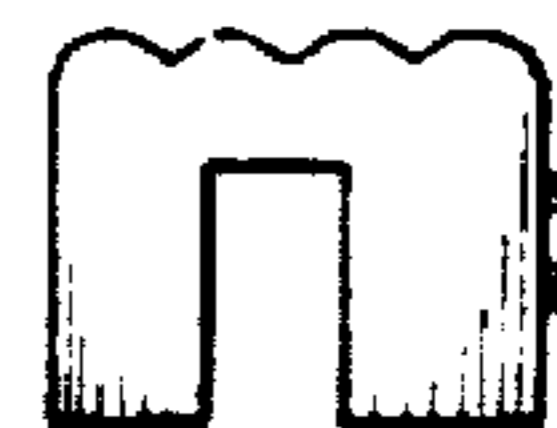


FIG. 14