



US00D328083S

United States Patent [19]

[11] Patent Number: **Des. 328,083**

Roshone, Jr.

[45] Date of Patent: **** Jul. 21, 1992**

[54] **HYDRAULIC WIRE WINDER**

[76] Inventor: **Daniel C. Roshone, Jr.**, Hc 78 Box 34,
Crookston, Nebr. 69212

[**] Term: **14 Years**

[21] Appl. No.: **335,527**

[22] Filed: **Apr. 10, 1989**

[52] U.S. Cl. **D15/199**

[58] Field of Search **D15/199; 242/1.1 R,**
242/7.14, 7.21, 7.22, 4 B, 25 A, 80, 81, 71.9, 16,
25 R; 57/3, 10, 11

[56] **References Cited**

U.S. PATENT DOCUMENTS

3,971,519	7/1976	Ikegami et al.	242/25 A
4,288,267	9/1981	McLarty	242/7.21 X
4,715,549	12/1987	Traulos	242/25 R

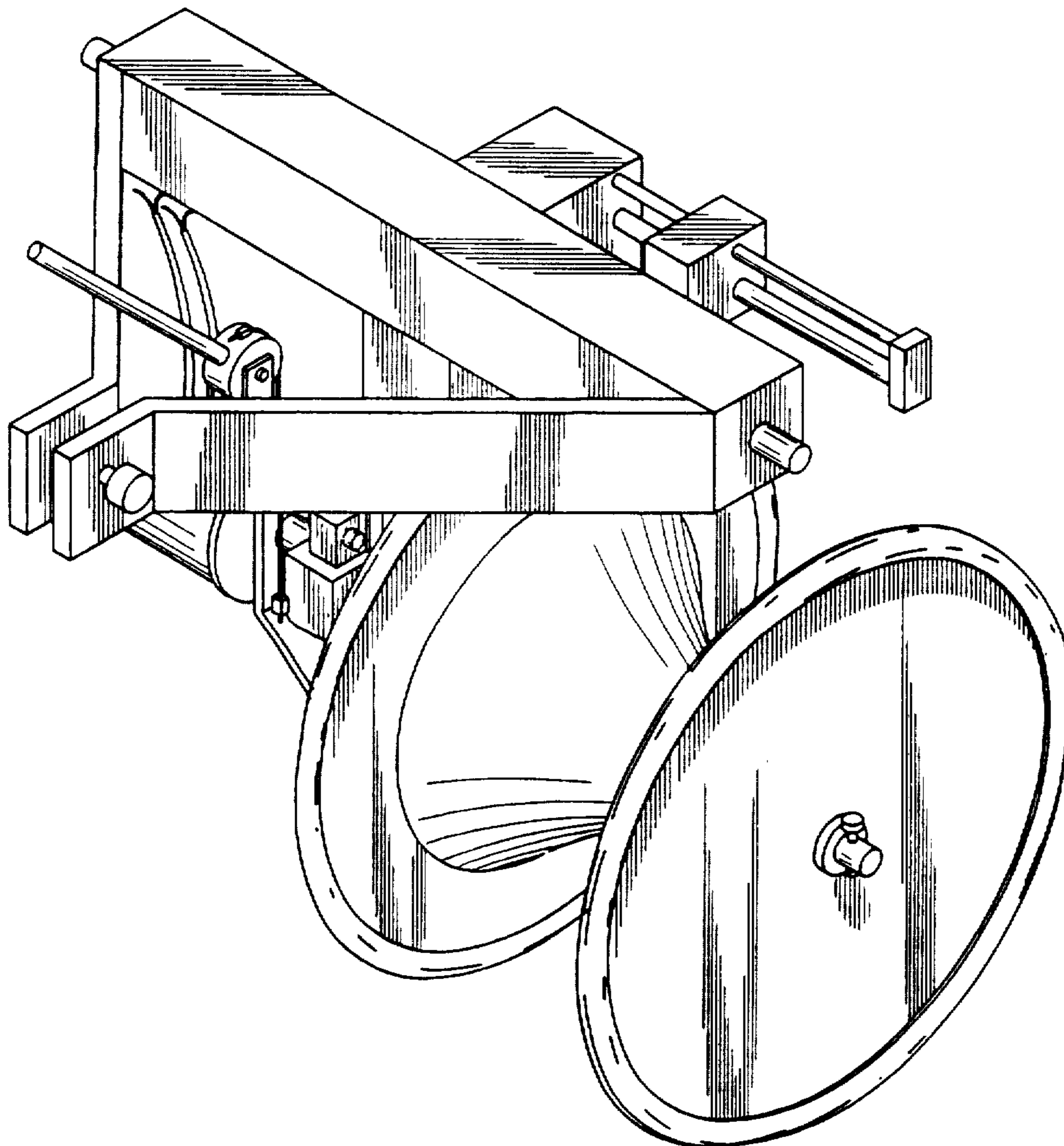
Primary Examiner—Donald P. Walsh
Assistant Examiner—Antoine D. Davis
Attorney, Agent, or Firm—Leon Gilden

[57] **CLAIM**

The ornamental design for a hydraulic wire winder, as shown and described.

DESCRIPTION

FIG. 1 is a front elevational view of a hydraulic wire winder showing my new design; FIG. 2 is a rear elevational view; FIG. 3 is a left side elevational view; FIG. 4 is a right side elevational view; FIG. 5 is a top plan view; FIG. 6 is a bottom plan view; FIG. 7 is a top, rear and left side perspective view; and, FIG. 8 is a bottom, front and right side perspective view thereof.



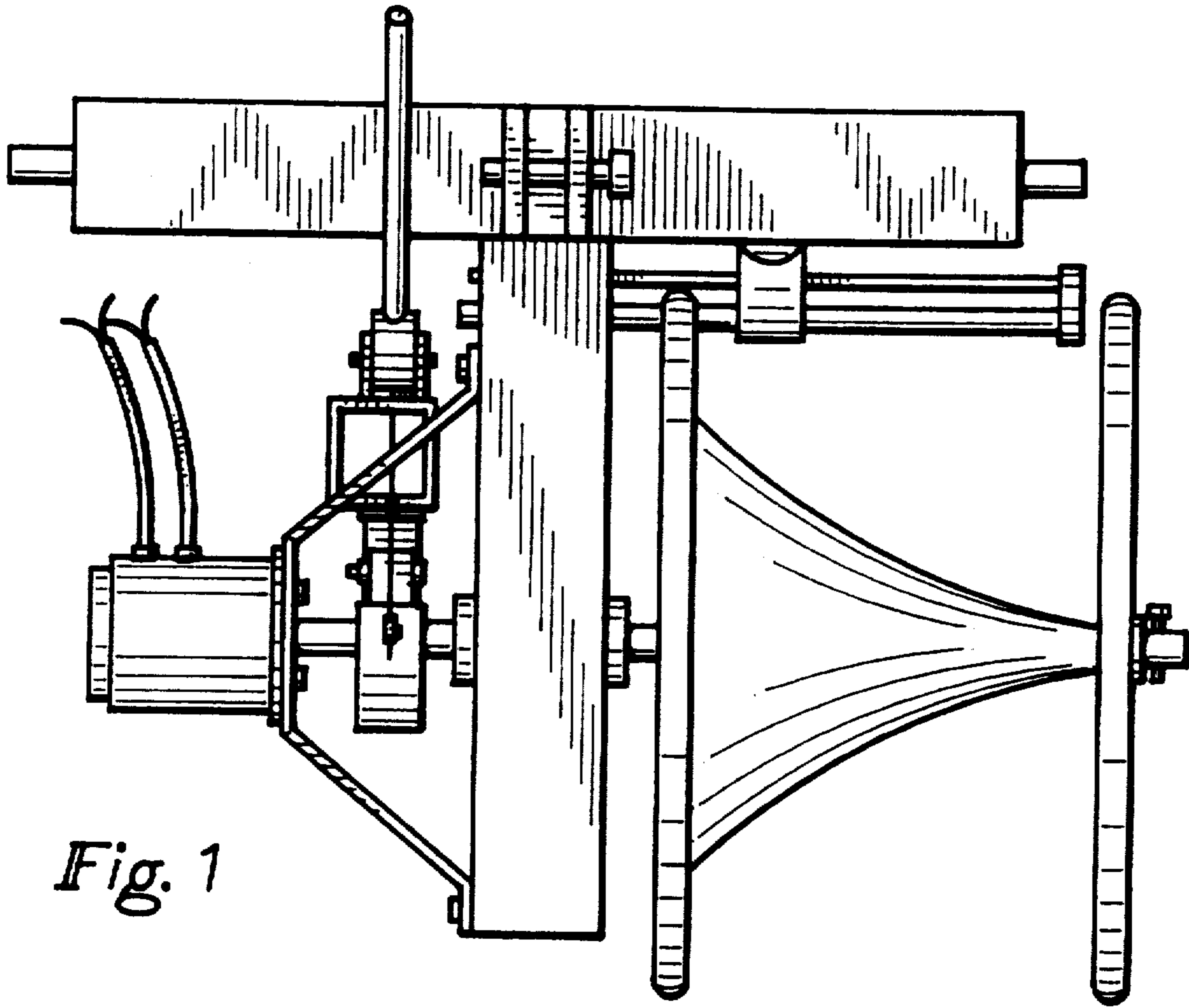


Fig. 1

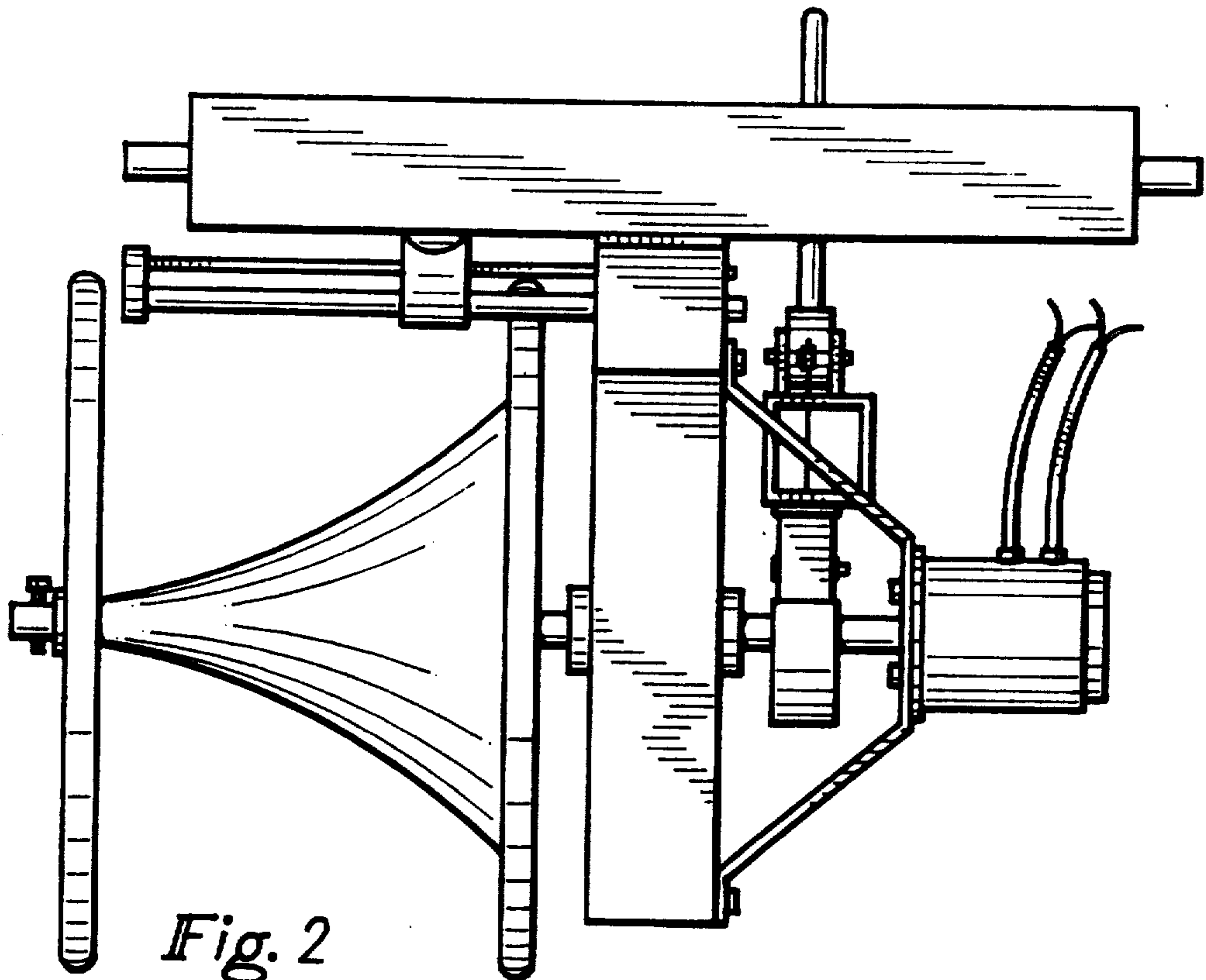


Fig. 2

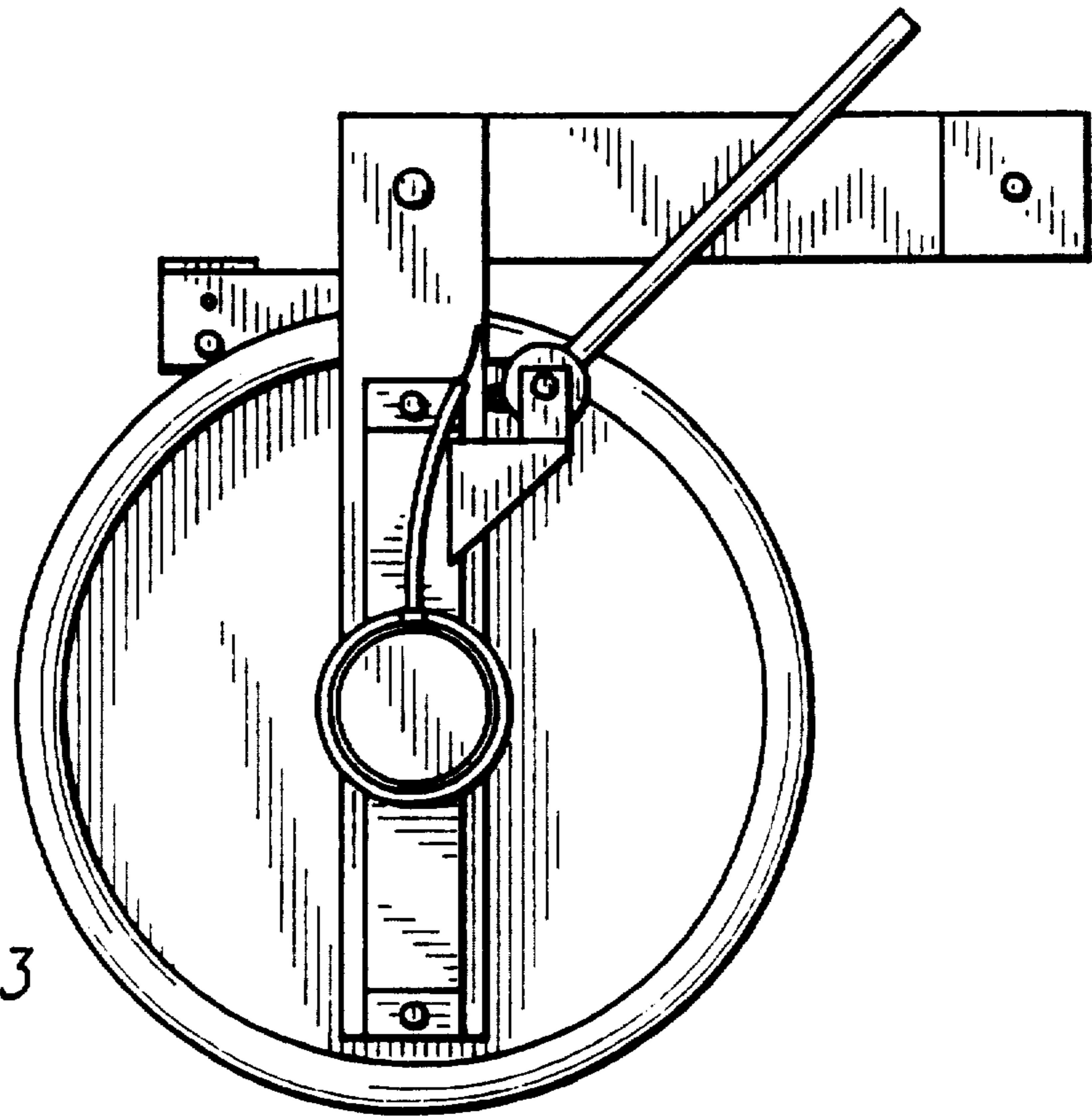


Fig. 3

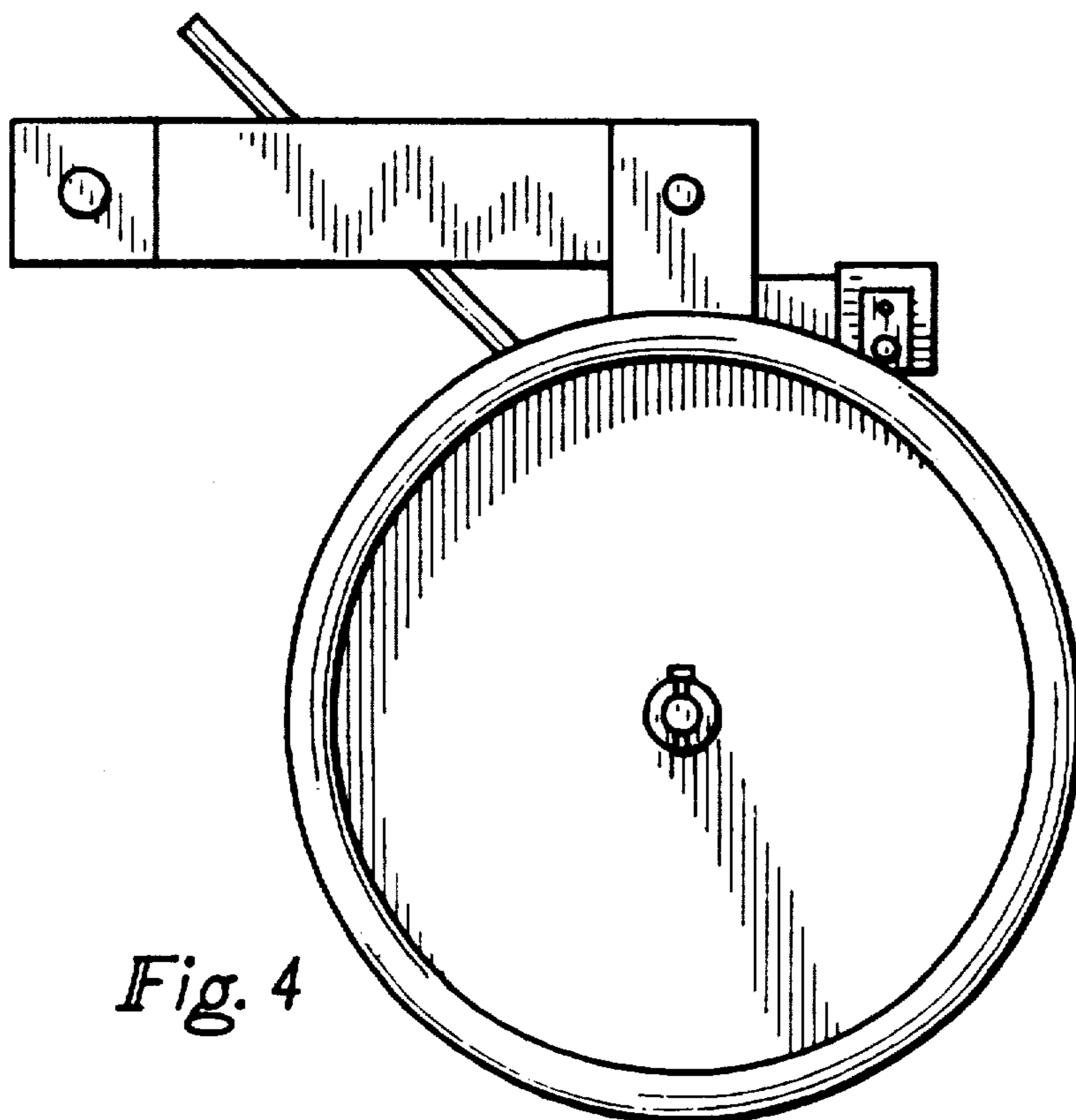


Fig. 4

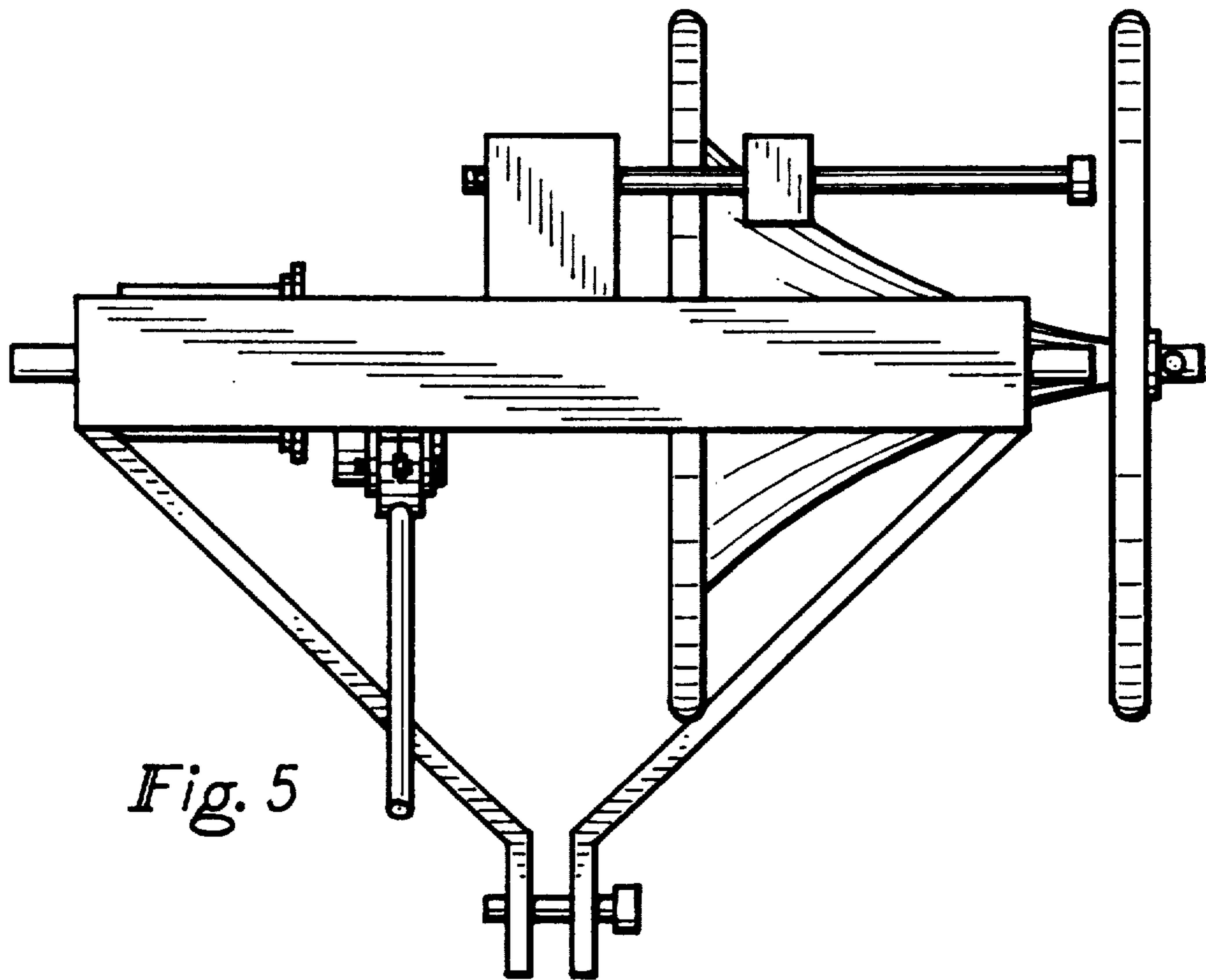


Fig. 5

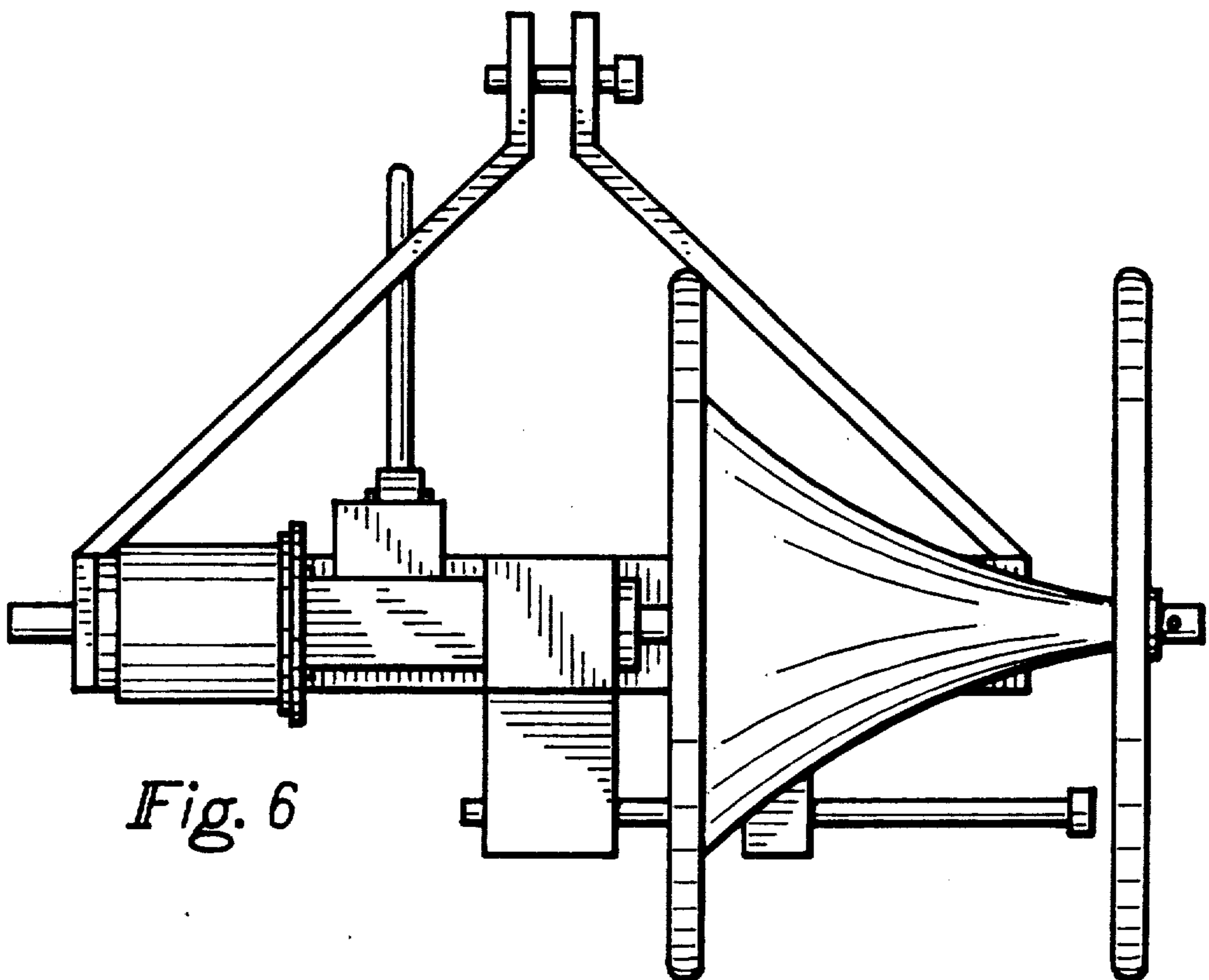


Fig. 6

FIG. 7

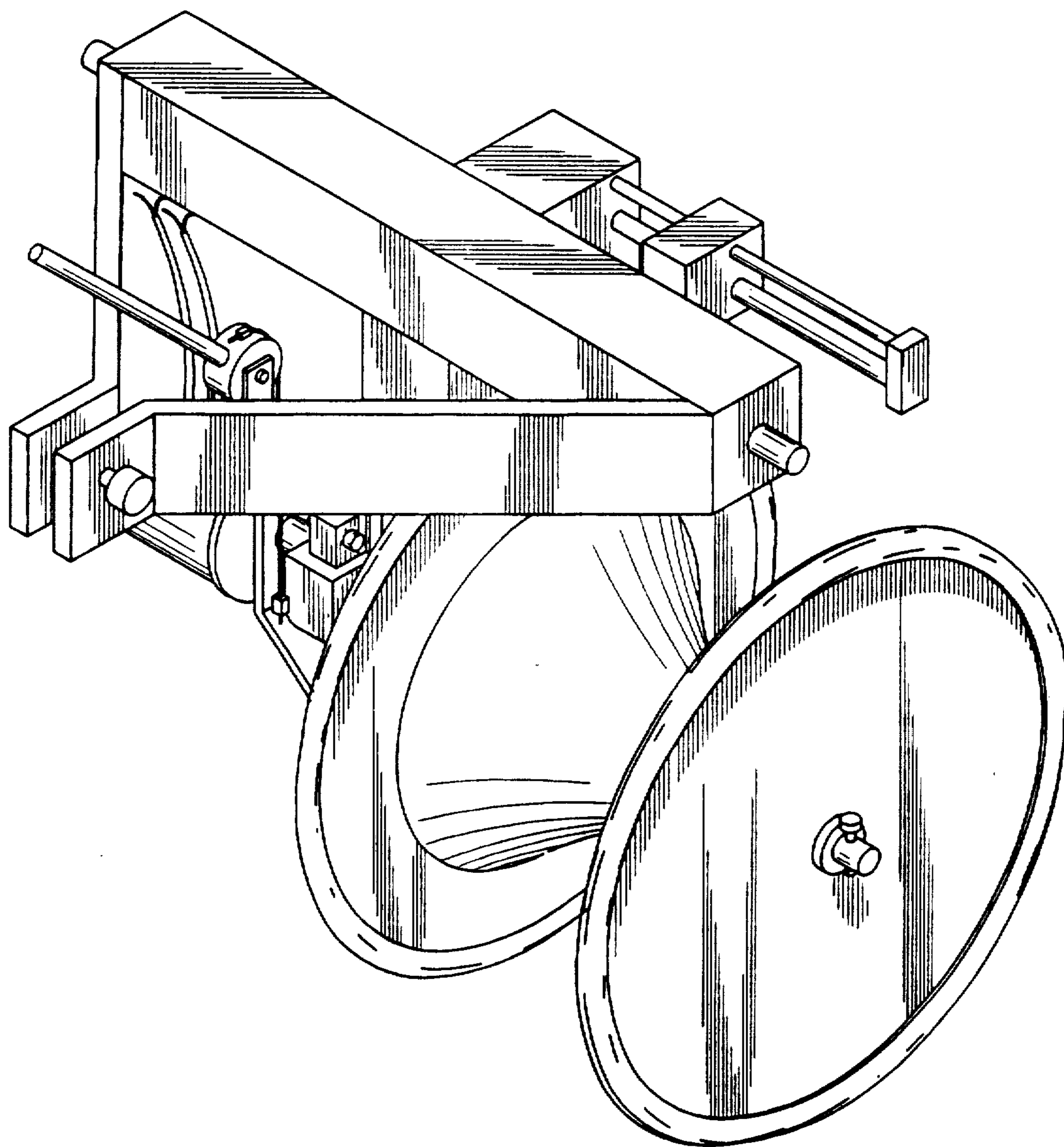


FIG. 8

