



US00D328081S

United States Patent [19]
Overbeck

[11] **Patent Number: Des. 328,081**
[45] **Date of Patent: ** Jul. 21, 1992**

[54] **PORTABLE LATHE**

[56]

References Cited

U.S. PATENT DOCUMENTS

[76] **Inventor: Wayne W. Overbeck, 329 Ingalls St.,
Santa Cruz, Calif. 95060**

4,452,110 5/1984 Emmerson D15/130 X
4,523,499 6/1985 Aldridge, Jr. 82/112
4,739,685 4/1988 Ricci 82/113

[**] **Term: 14 Years**

Primary Examiner—Donald P. Walsh
Assistant Examiner—Antoine D. Davis
Attorney, Agent, or Firm—Jeffrey A. Hall

[21] **Appl. No.: 815,555**

[57] **CLAIM**

[22] **Filed: Dec. 27, 1991**

The ornamental design for a portable lathe, as shown and described.

DESCRIPTION

Related U.S. Application Data

FIG. 1 is a perspective view of a portable lathe showing my new design;

[63] Continuation-in-part of Ser. No. 427,803, Oct. 27, 1989, abandoned.

FIG. 2 is a top plan view;

[52] **U.S. Cl. D15/130**

FIG. 3 is a left side elevational view;

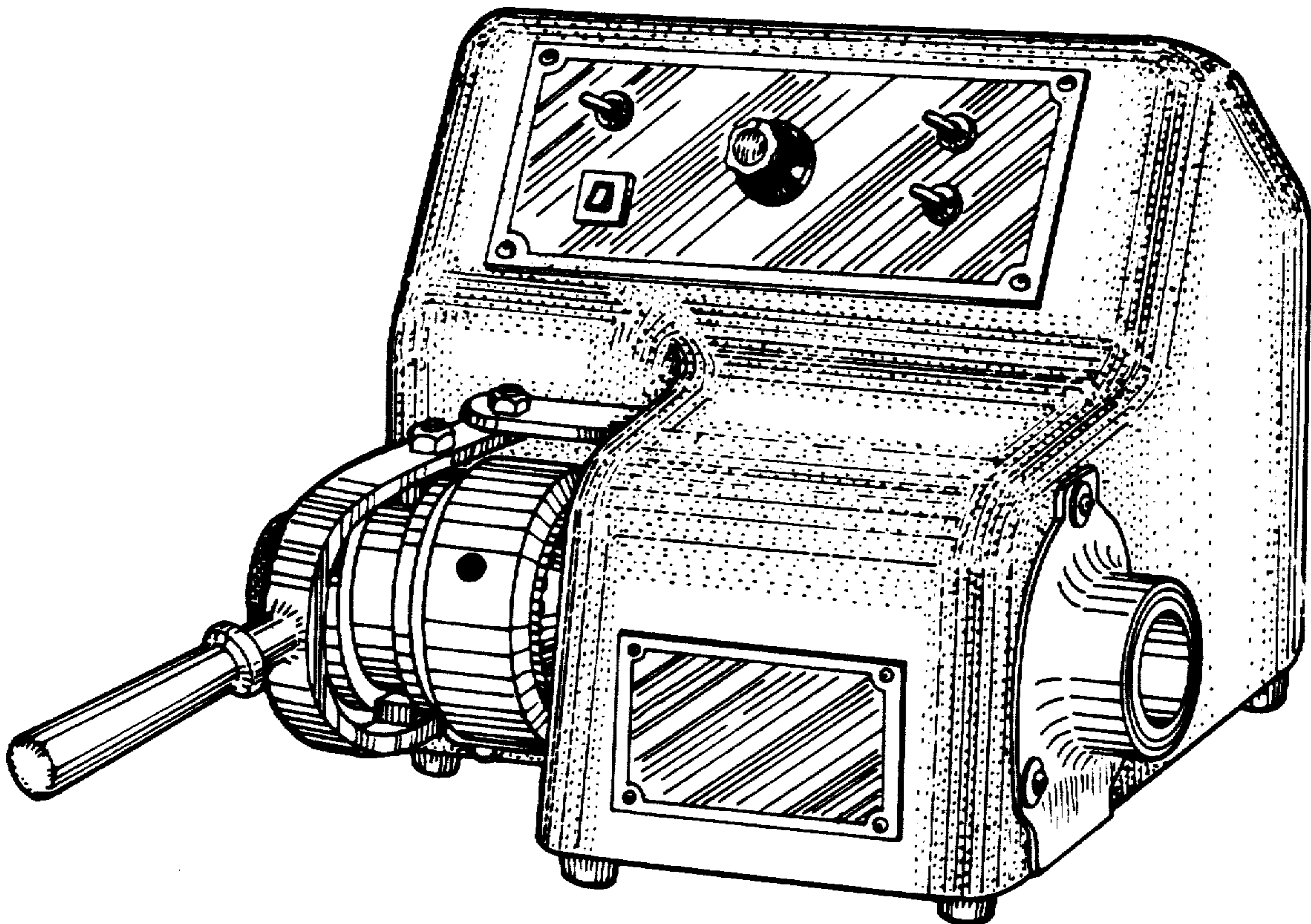
[58] **Field of Search D15/130, 199; 82/112,**

FIG. 4 is a front elevational view;

82/113, 114, 128; D8/61, 62

FIG. 5 is a right side elevational view; and,

FIG. 6 is a rear elevational view thereof.



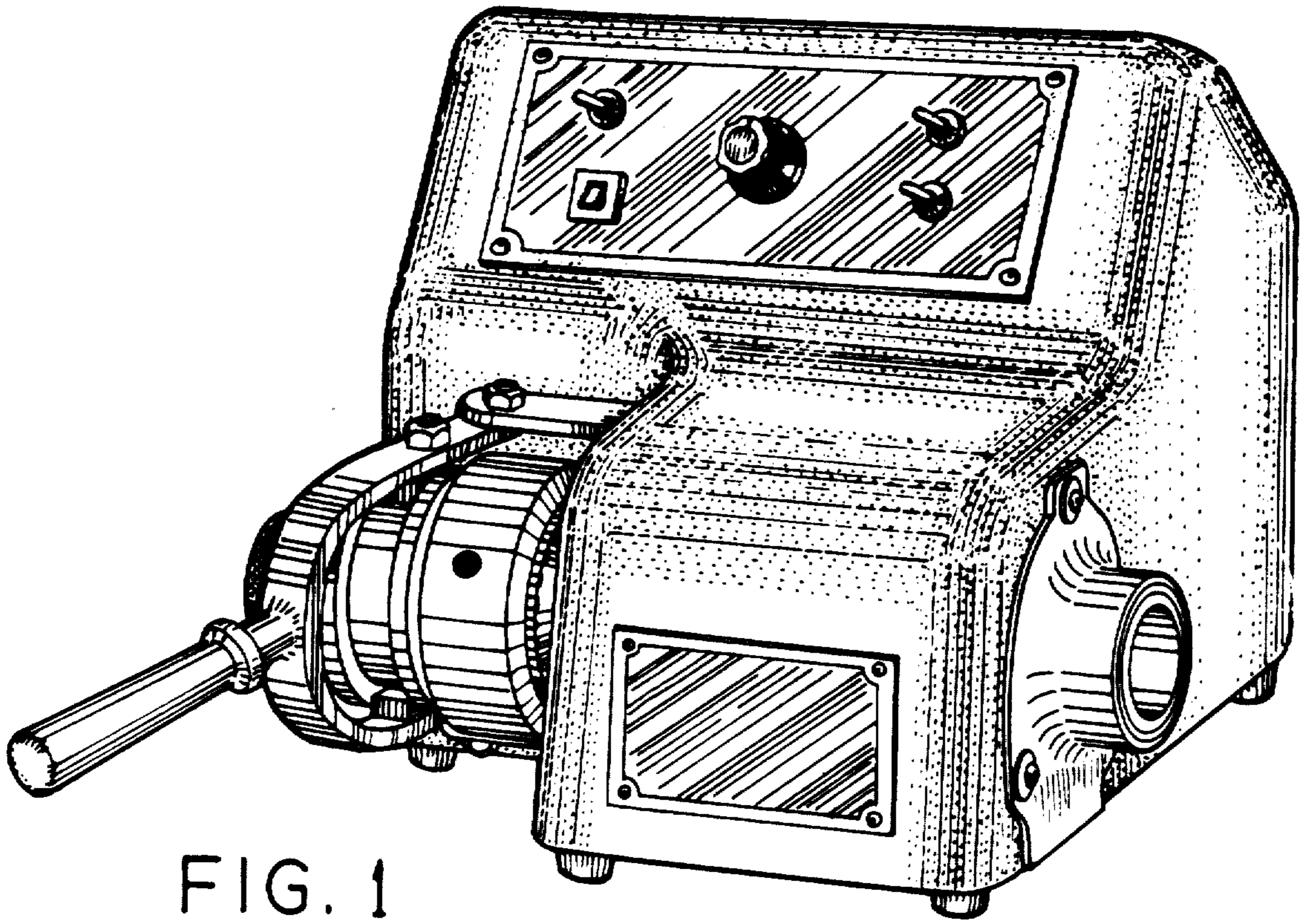


FIG. 1

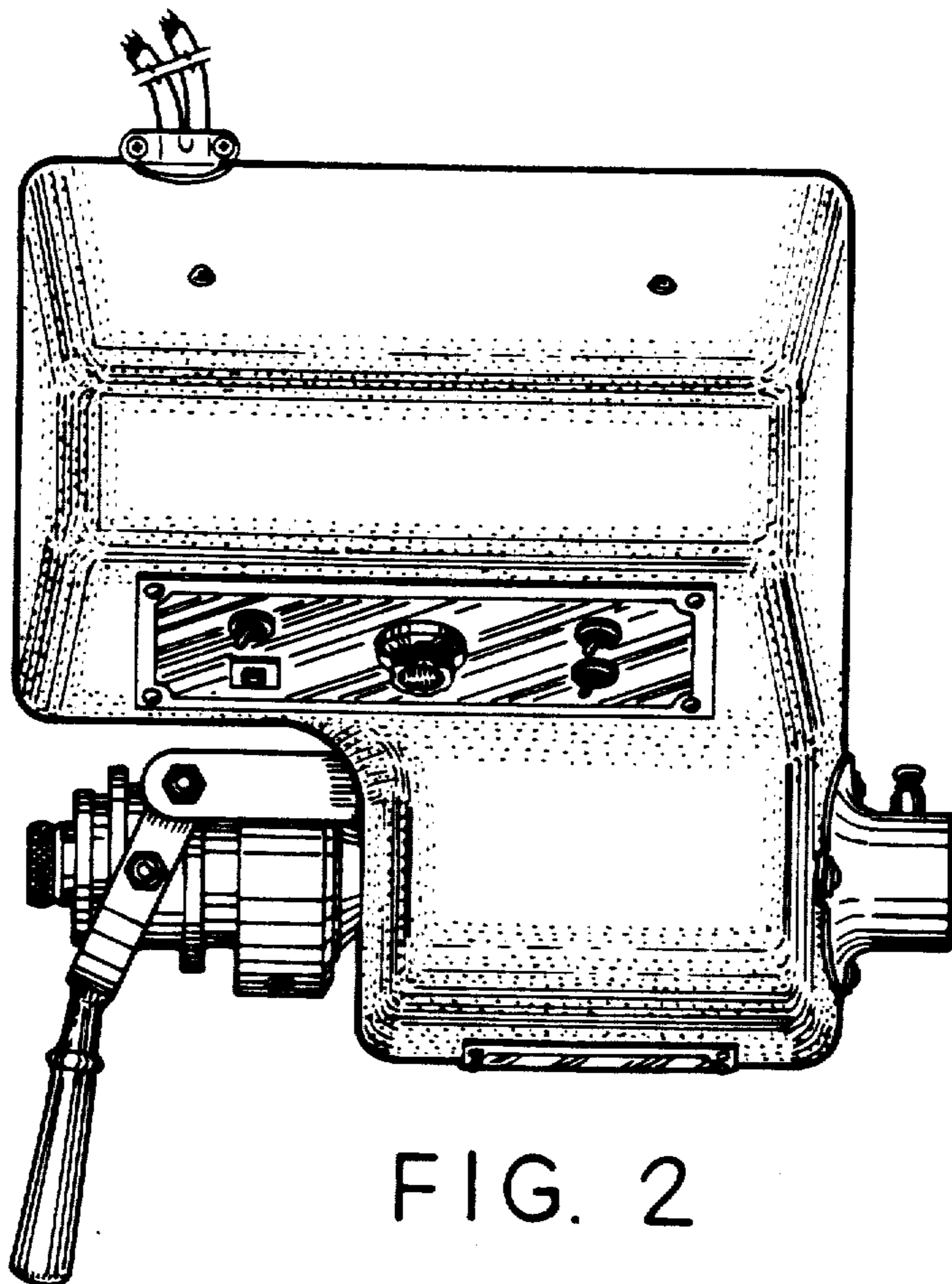


FIG. 2

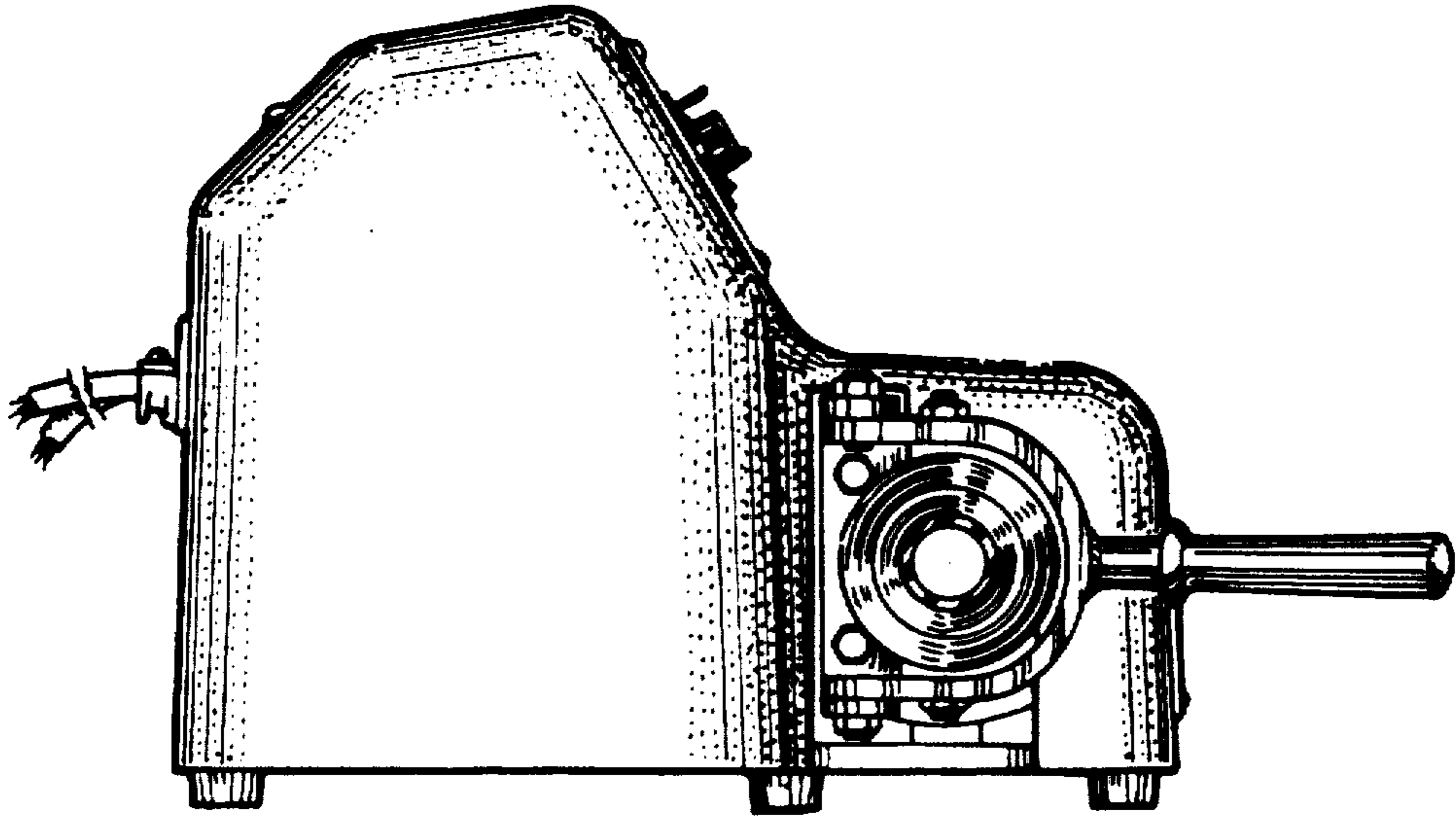


FIG. 3

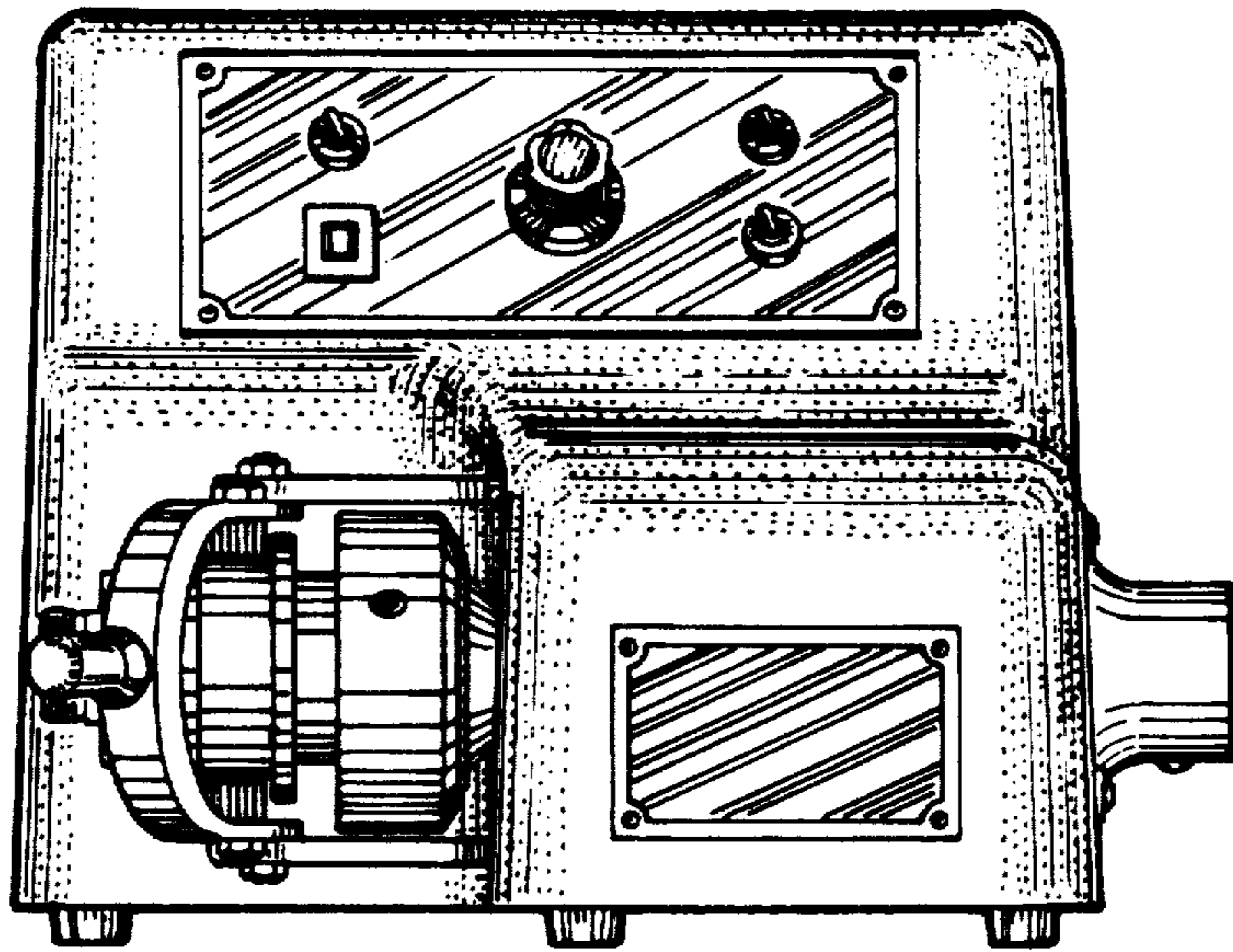


FIG. 4

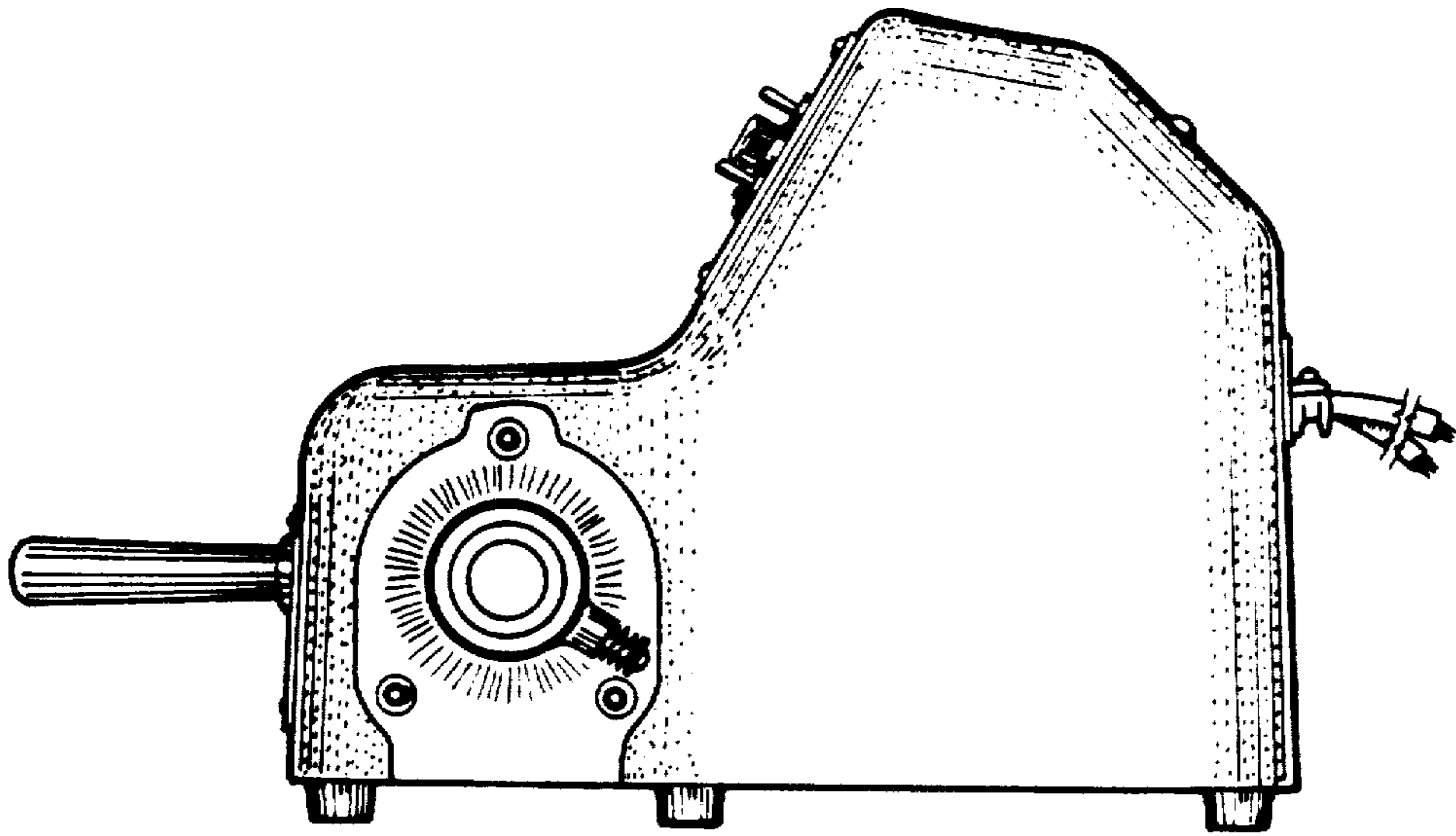


FIG. 5

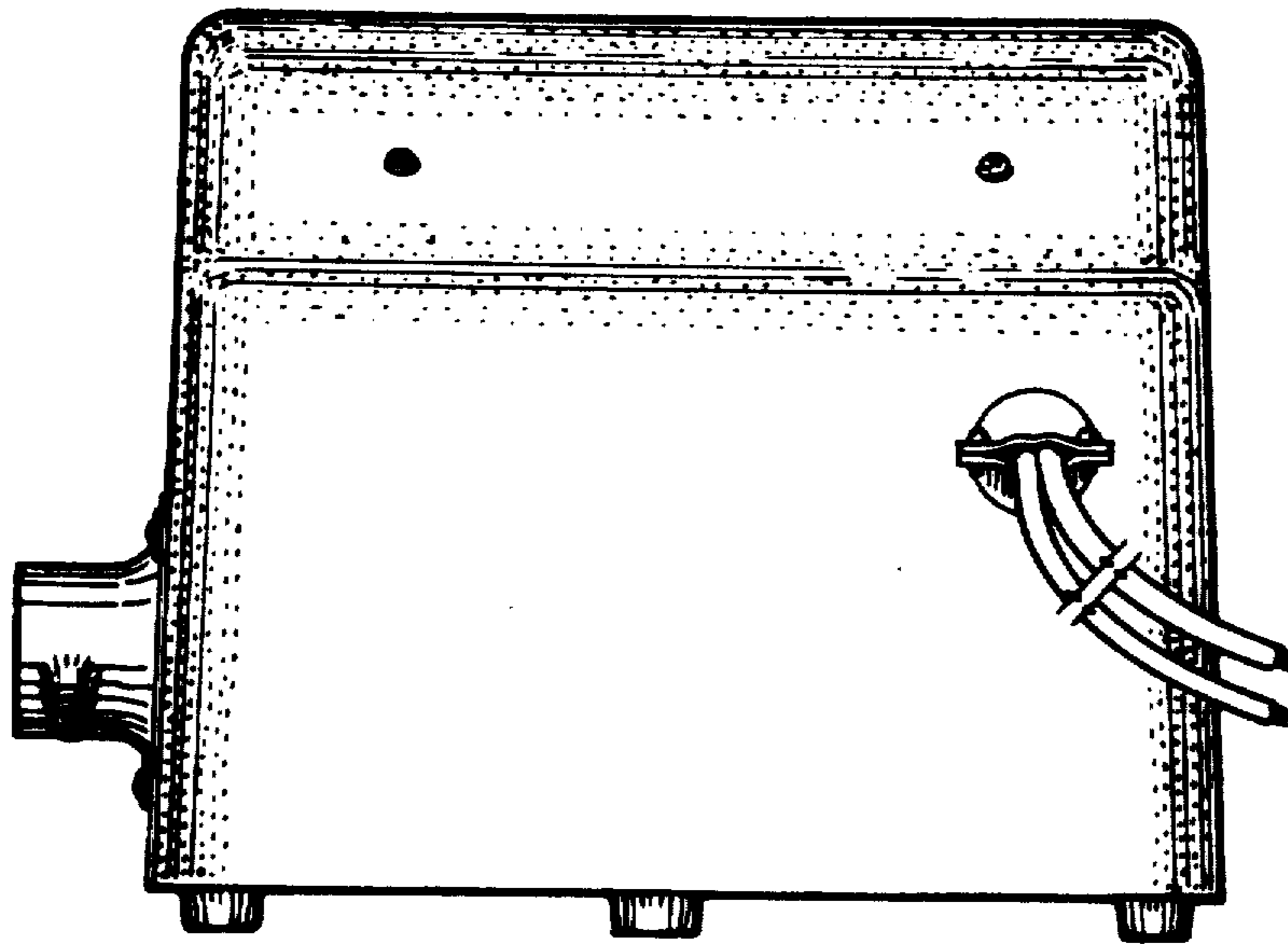


FIG. 6