



US00D328078S

# United States Patent [19]

Jacobs

[11] Patent Number: Des. 328,078

[45] Date of Patent: \*\* Jul. 21, 1992

[54] **AUTOMOBILE CONSOLE MOUNTABLE PORTABLE CELLULAR PHONE HOLDER**

[76] Inventor: **Mark C. Jacobs**, 504 Woodside Oaks #4, Sacramento, Calif. 95825

[\*\*] Term: **14 Years**

[21] Appl. No.: **520,385**

[22] Filed: **May 8, 1990**

[52] U.S. Cl. .... **D14/253**

[58] Field of Search ..... **D14/251, 138; 379/455, 379/438, 454; 248/301**

4,449,682	5/1984	Kersey .....	248/215
4,504,992	3/1985	Herron et al. ....	248/215 X
4,945,561	7/1990	Rioux, Jr. ....	379/454
4,998,277	3/1991	Rioux, Jr. ....	379/454
5,048,083	9/1991	Dunchock .....	379/455
5,071,049	12/1991	Mozer .....	379/438 X

*Primary Examiner*—Horace B. Fay, Jr.  
*Attorney, Agent, or Firm*—Mark C. Jacobs

[57] **CLAIM**

The ornamental design for an automobile console mountable portable cellular phone holder, as shown and described.

[56] **References Cited**

**U.S. PATENT DOCUMENTS**

D. 215,006	8/1969	Behring .....	D14/253
D. 216,641	2/1970	Phillips .....	D14/253
D. 254,069	1/1980	Holey .....	D14/253
D. 261,509	10/1981	Cobb .....	D14/253
D. 311,919	6/1990	Klaczak .....	D14/138 X
D. 317,157	5/1991	Jondelius .....	D14/253
D. 319,052	8/1991	Major .....	D14/138
D. 320,991	10/1991	Nagai et al. ....	D14/253
2,443,329	6/1948	Sears .....	D14/253 X
2,987,585	6/1961	Abysalh .....	248/301 X
3,013,128	12/1961	Lockard .....	D14/253 X

**DESCRIPTION**

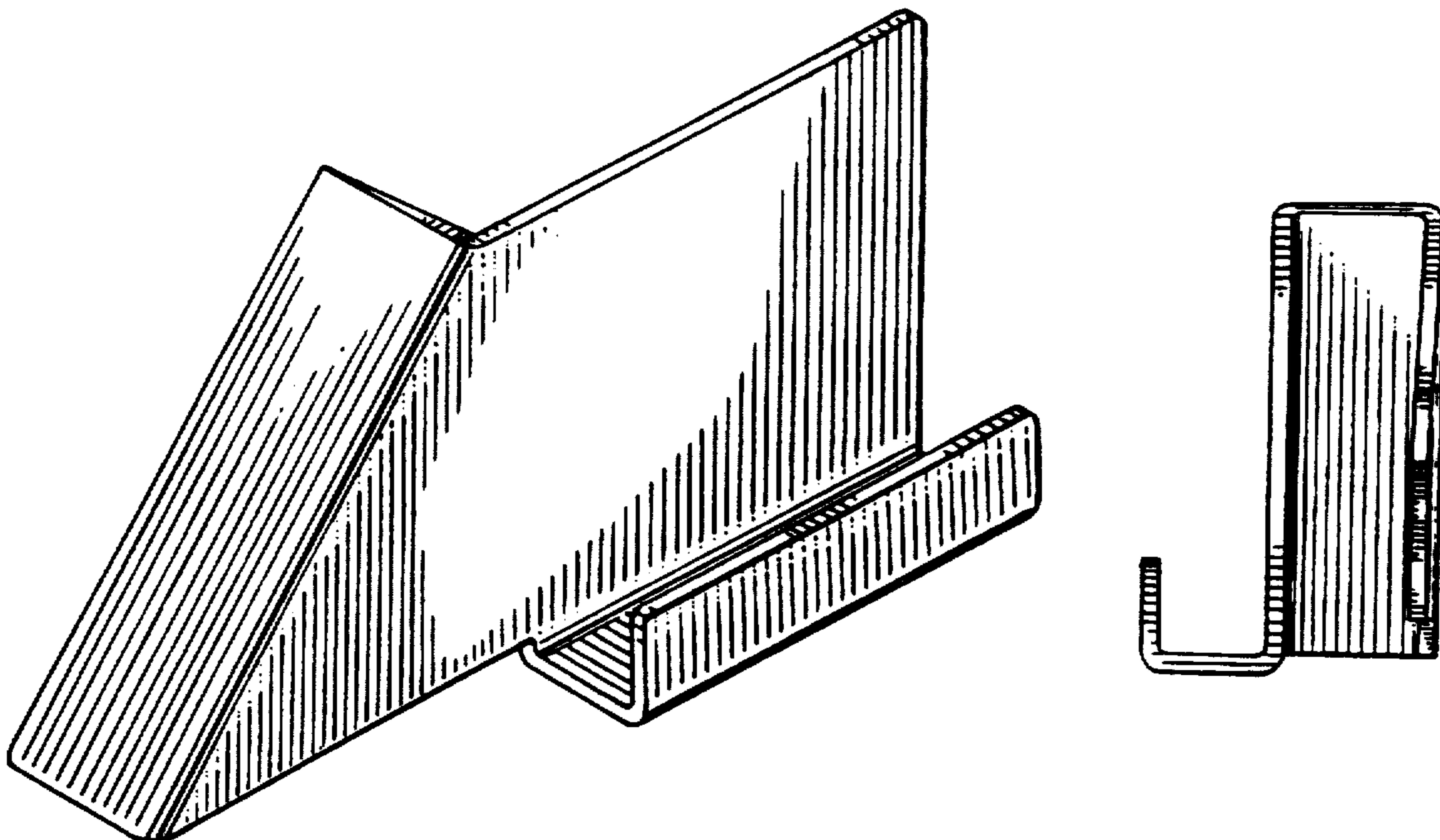
FIG. 1 is a front and right side perspective view of an automobile console mountable portable cellular phone holder showing my new design;

FIG. 2 is a left rear perspective view thereof;

FIG. 3 is a rear end elevational view thereof; and,

FIG. 4 is a front and right side perspective view thereof with a cellular phone shown in broken lines mounted upon the telephone holder.

The broken line showing of an handset telephone set and other broken lines in FIG. 4 is for illustrative purposes only and forms no part of the claimed design.



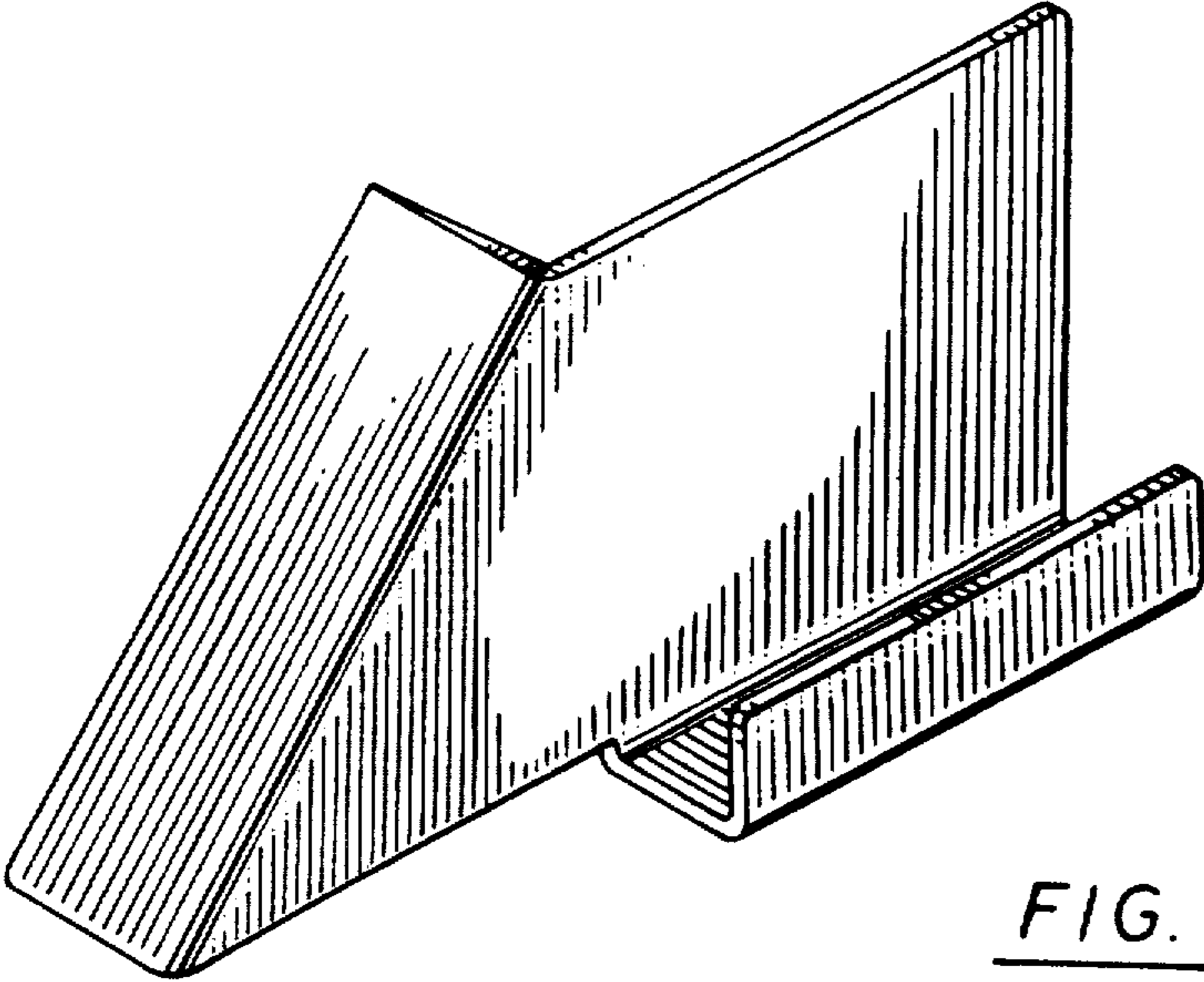


FIG. 1

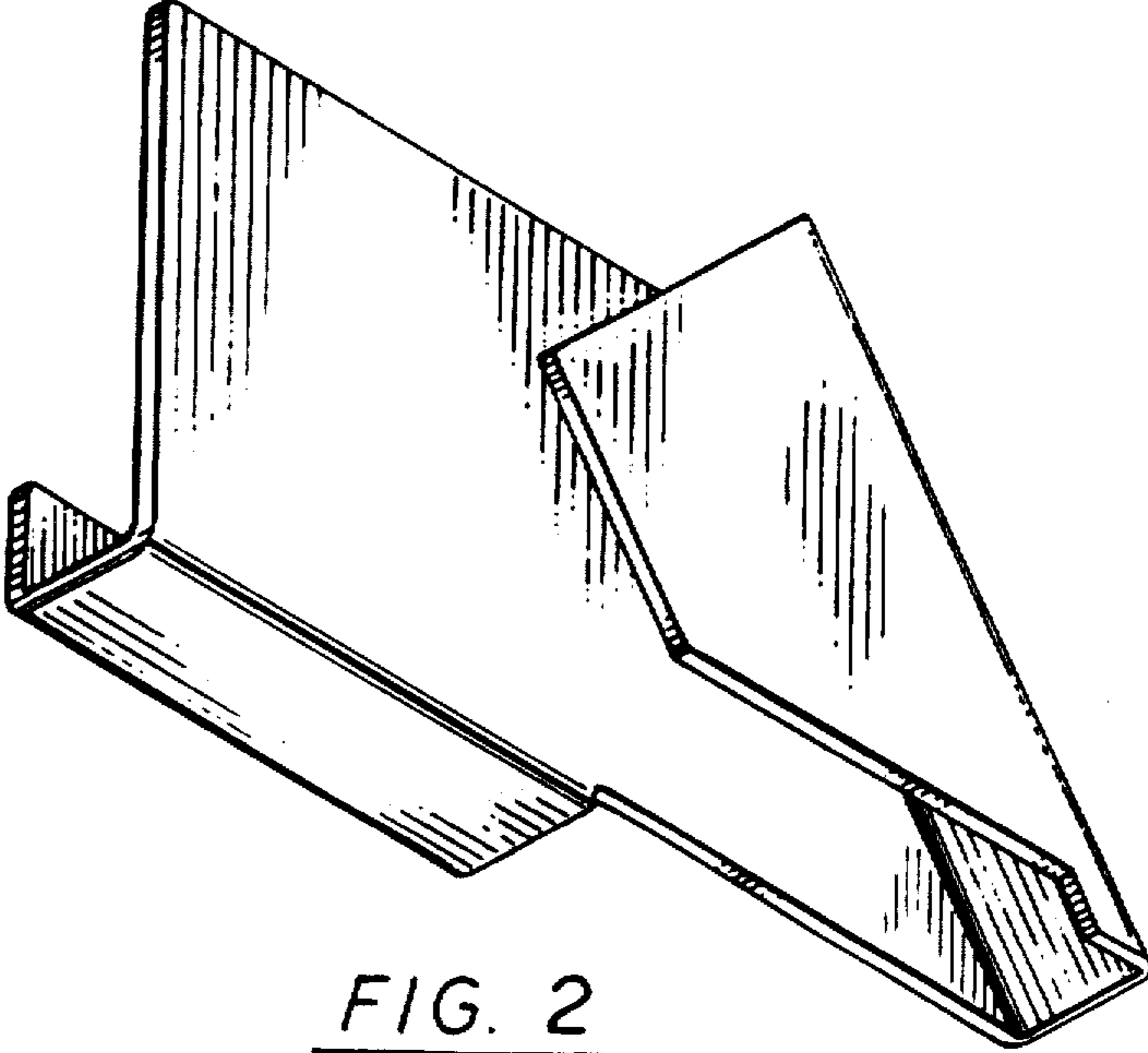


FIG. 2

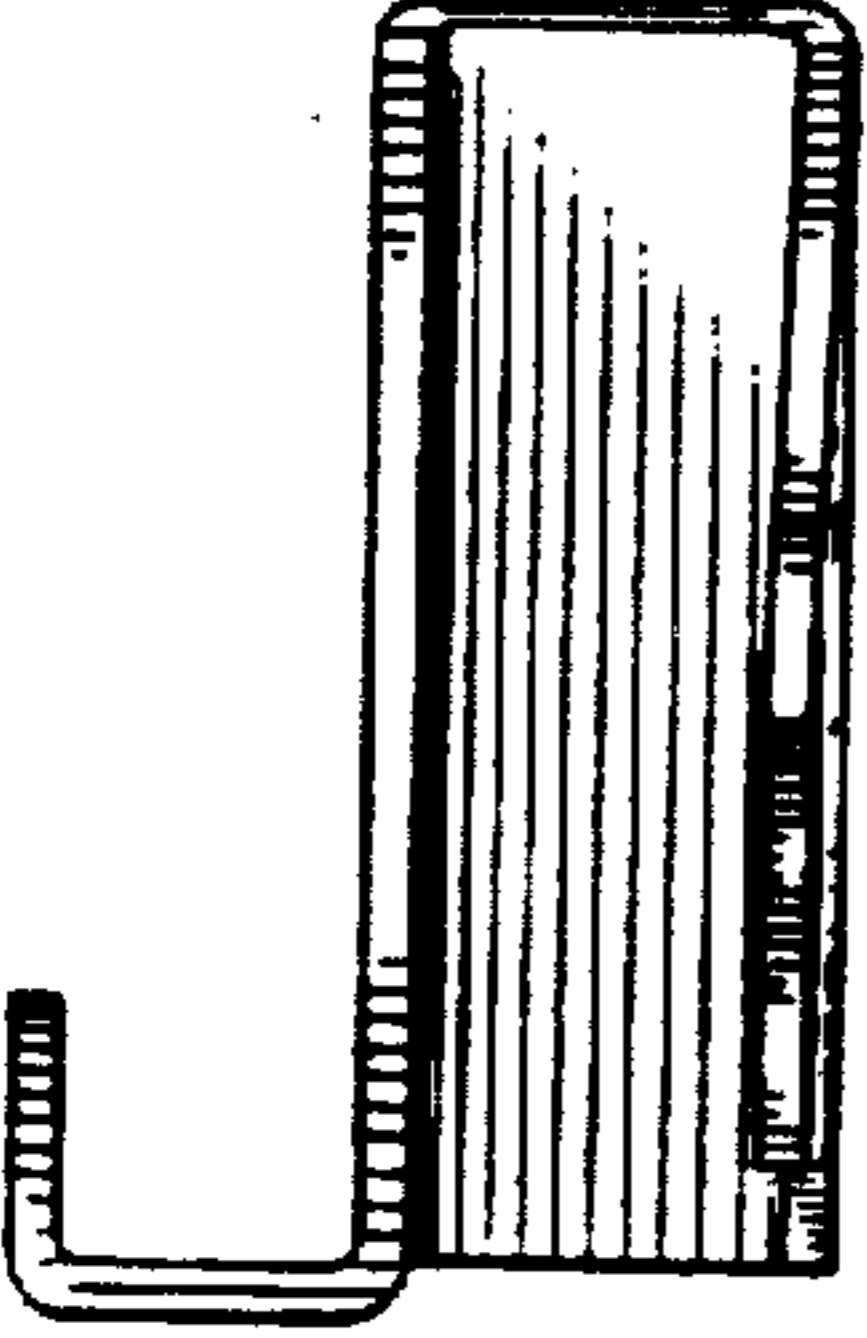


FIG. 3

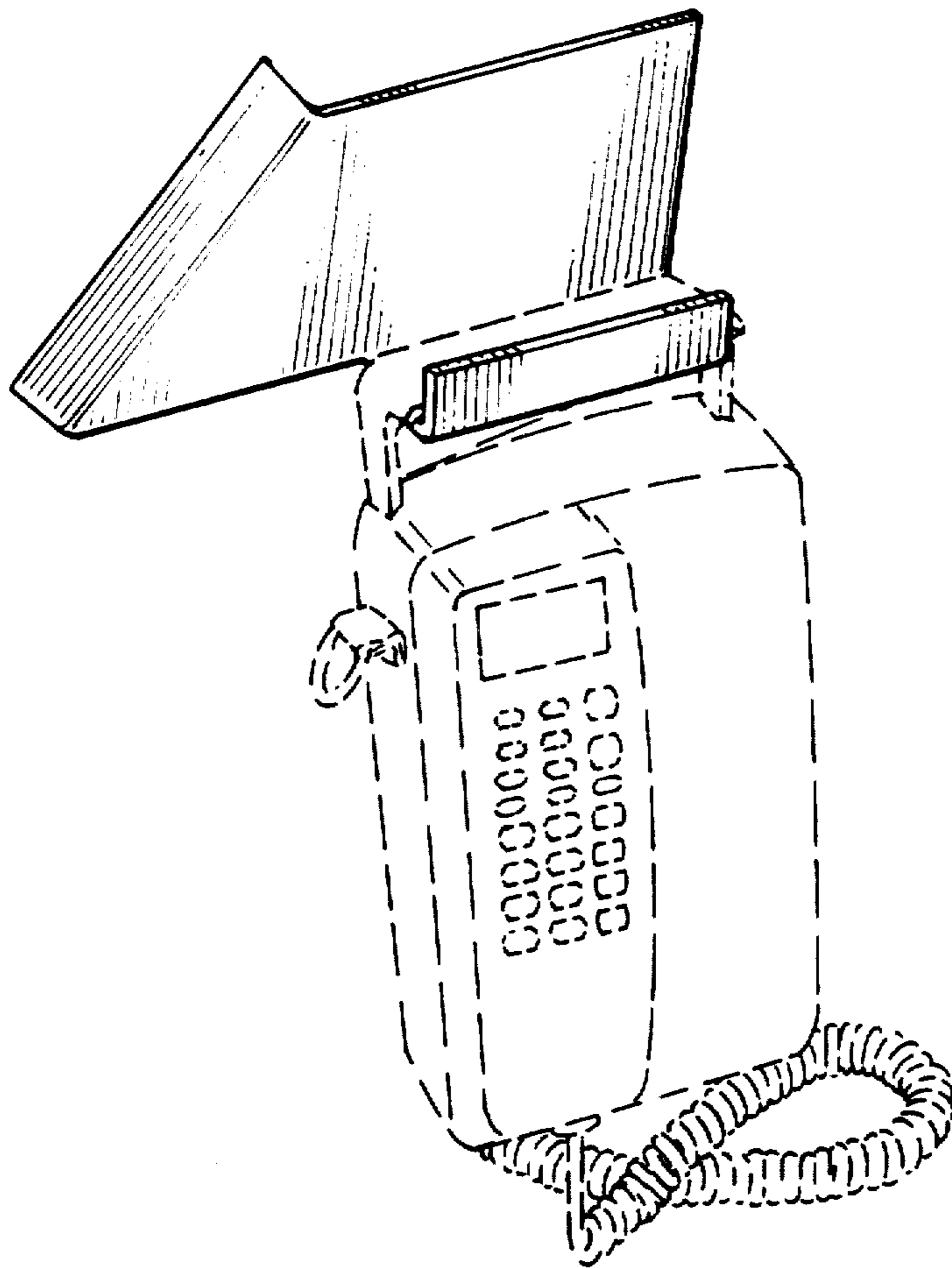


FIG. 4