



US00D328069S

United States Patent [19]

[11] Patent Number: **Des. 328,069**

Langton

[45] Date of Patent: **** Jul. 21, 1992**

[54] TELECOMMUNICATIONS BASE STATION

[75] Inventor: **Carlton M. Langton**, Nottingham, England

[73] Assignee: **GEC Plessey Telecommunications Limited**, Ilford, England

[**] Term: **14 Years**

[21] Appl. No.: **470,530**

[22] Filed: **Jan. 25, 1990**

[30] **Foreign Application Priority Data**

Jul. 25, 1989 [GB] United Kingdom 1061066

[52] U.S. Cl. **D14/138; D14/137**

[58] Field of Search **D14/124, 137-139, D14/157, 279; 455/73, 89-90**

[56] **References Cited**

U.S. PATENT DOCUMENTS

D. 297,007 8/1988 Pushelberg D14/124

D. 301,235 5/1989 Nagele D14/137
D. 306,583 3/1990 Krolopp et al. D14/137
D. 314,772 2/1991 Pierce et al. D14/137 X
D. 320,982 10/1991 Siddoway D14/137

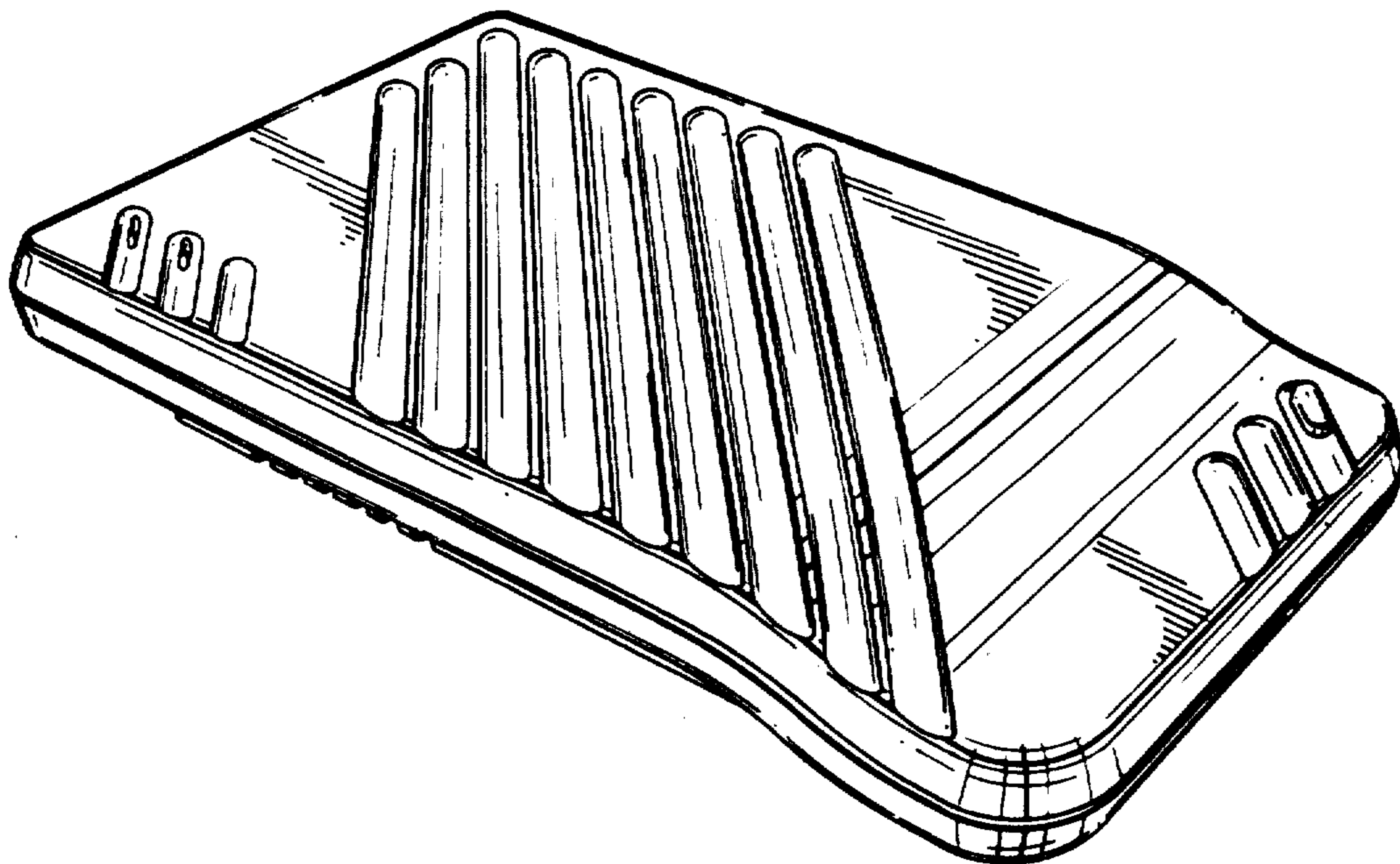
Primary Examiner—Theodore M. Shooman
Attorney, Agent, or Firm—Fleit, Jacobson, Cohn, Price, Holman & Stern

[57] **CLAIM**

The ornamental design for a telecommunications base station, as shown and described.

DESCRIPTION

FIG. 1 is a perspective view of a telecommunications base station, showing my new design; FIG. 2 is a left side view thereof; FIG. 3 is a right side view thereof; FIG. 4 is a front view thereof; FIG. 5 is a rear view thereof; FIG. 6 is a top view thereof; and, FIG. 7 is a bottom view thereof.



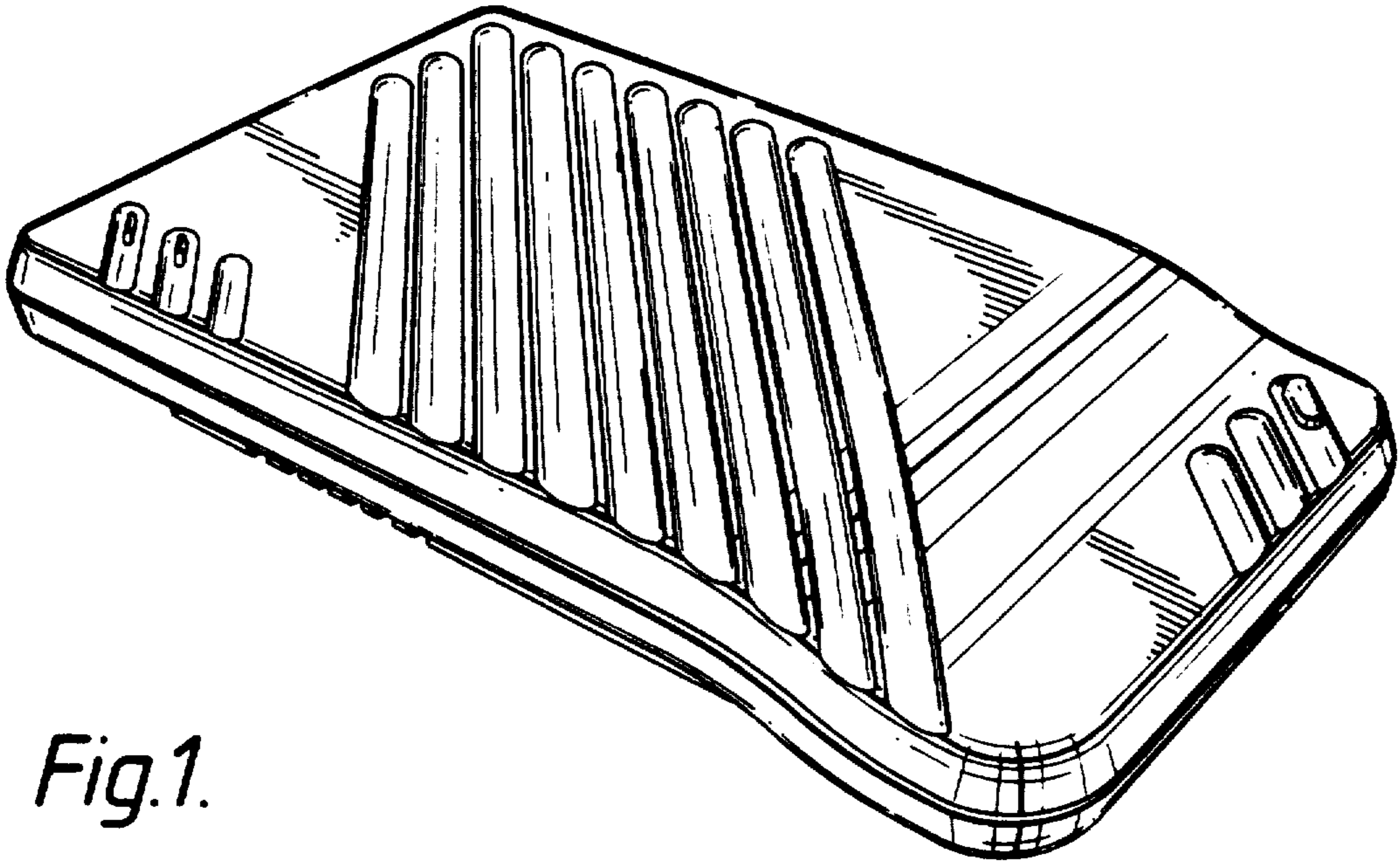


Fig.1.

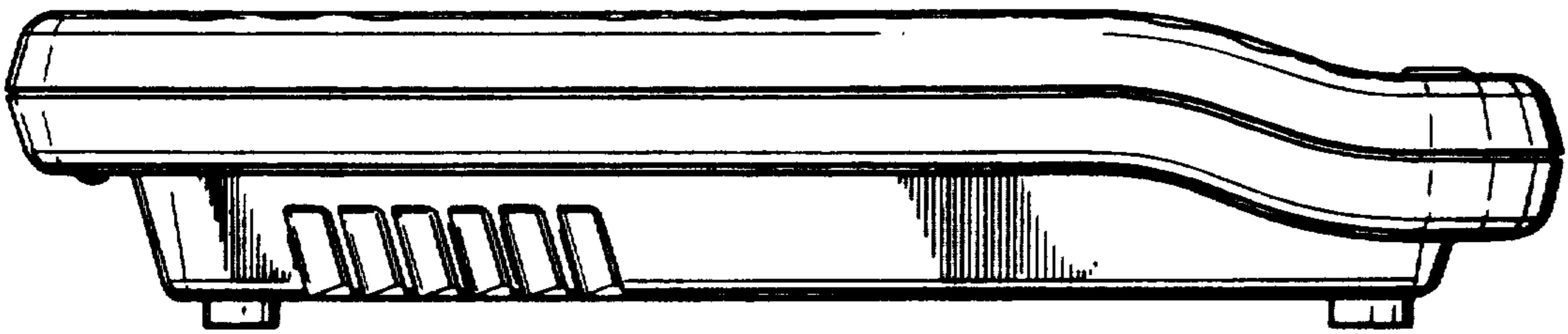


Fig.2.

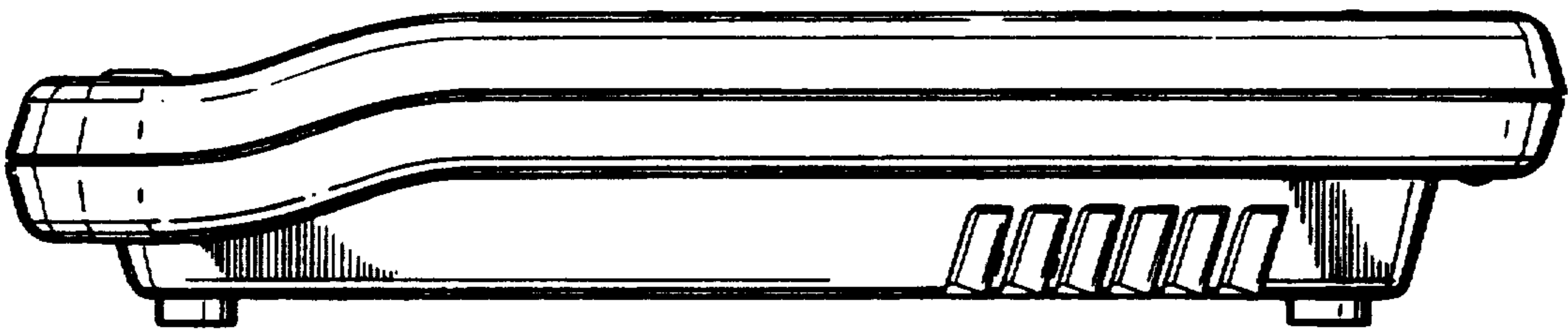


Fig.3.

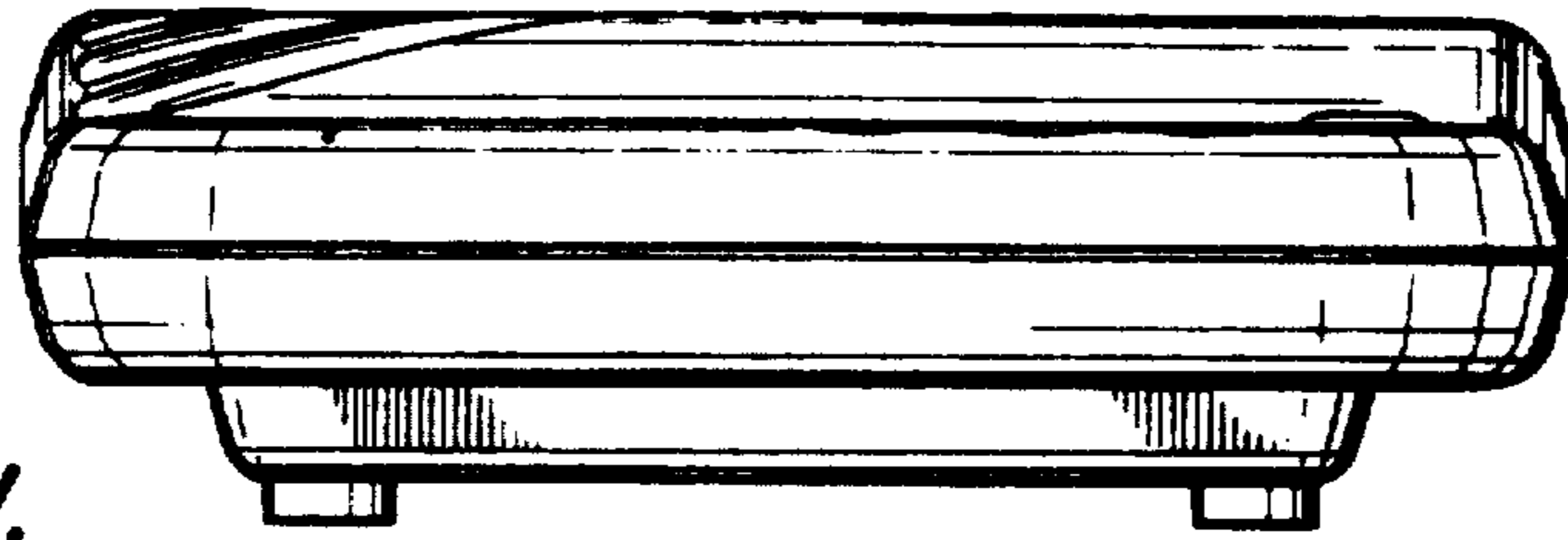


Fig. 4.

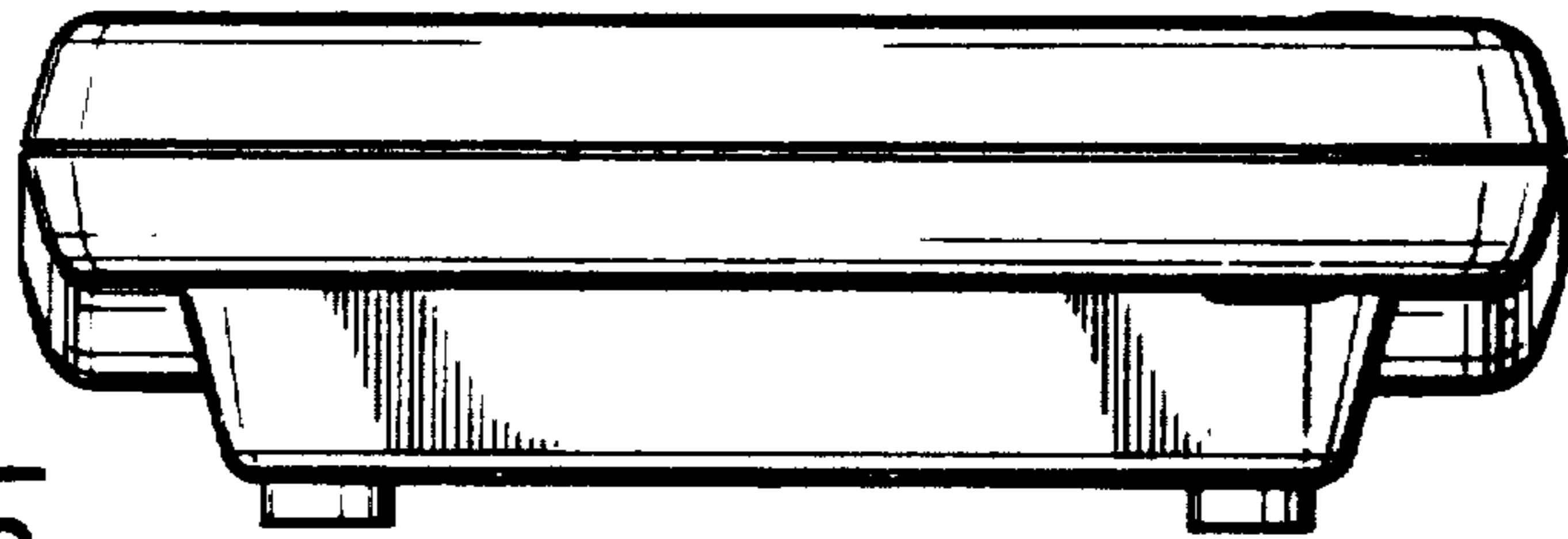


Fig. 5.

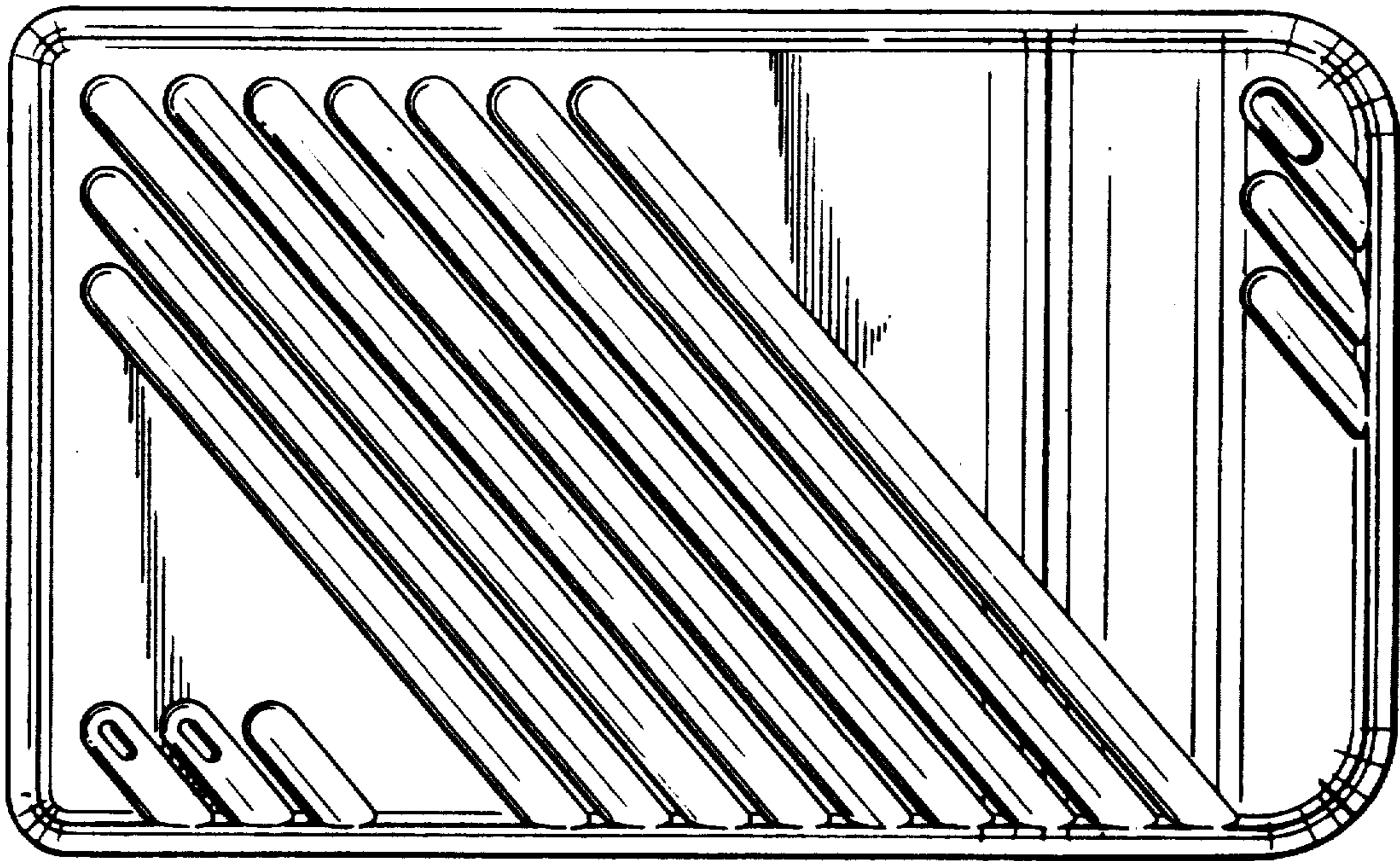


Fig. 6.

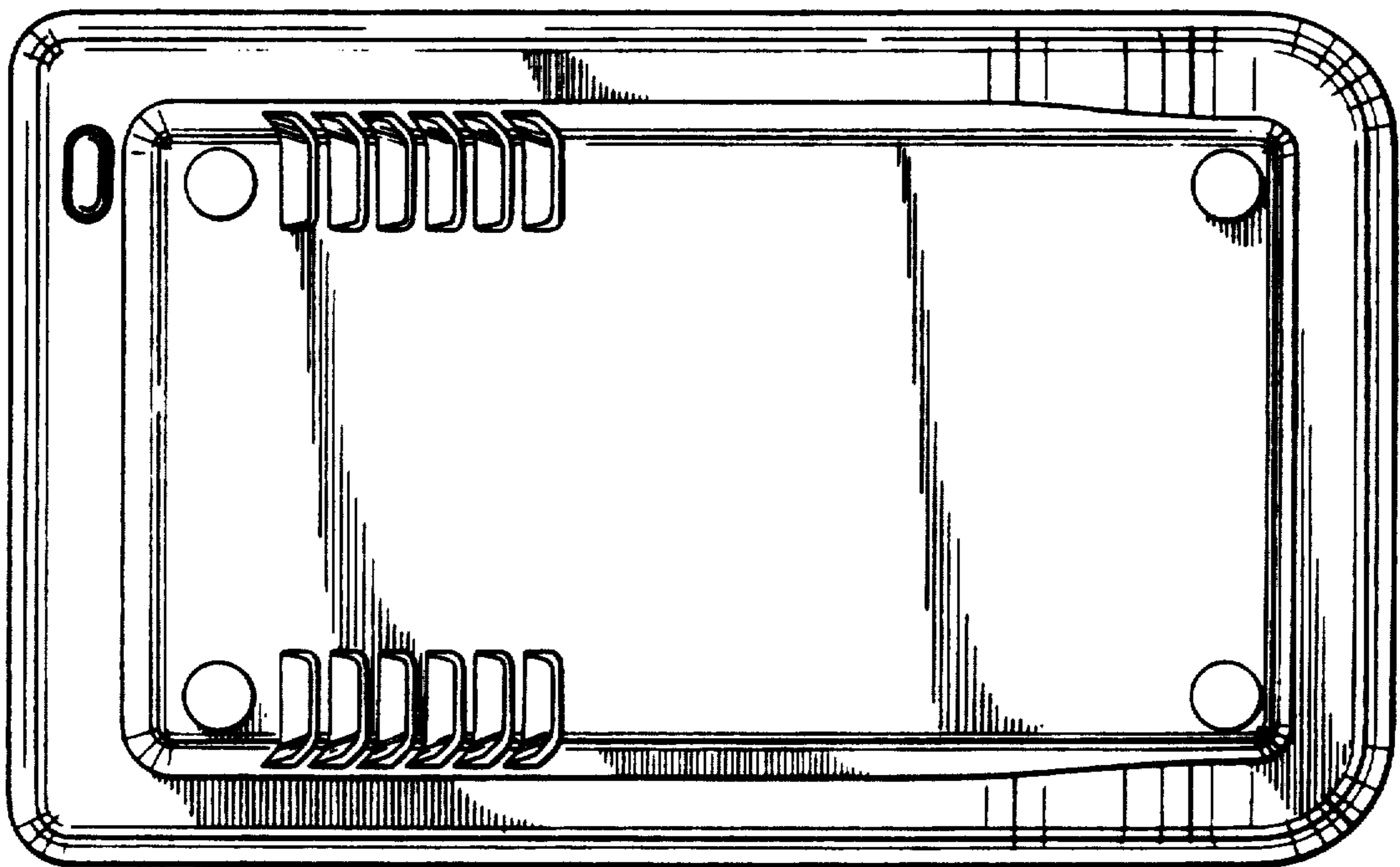


Fig. 7.