



US00D328068S

# United States Patent [19] Watanabe

[11] Patent Number: **Des. 328,068**

[45] Date of Patent: **\*\* Jul. 21, 1992**

[54] **PORTABLE FACSIMILE MACHINE**

[75] Inventor: **Katsuhito Watanabe**, Tokyo, Japan

[73] Assignee: **Oki Electric Industry Co., Ltd.**,  
Tokyo, Japan

[\*\*] Term: **14 Years**

[21] Appl. No.: **615,456**

[22] Filed: **Nov. 19, 1990**

[30] **Foreign Application Priority Data**

May 18, 1990 [JP] Japan ..... 2-16514

[52] U.S. Cl. .... **D14/118**

[58] Field of Search ..... **D14/118, 299; D18/36,  
D18/37; 358/400, 401**

[56] **References Cited**

**U.S. PATENT DOCUMENTS**

D. 6,254	4/1991	Sato	.....	D14/118
D. 284,374	6/1986	Ohie et al.	.....	D14/118
D. 290,959	7/1987	Ooie	.....	D14/118
D. 322,803	12/1991	Irie et al.	.....	D14/118 X

**OTHER PUBLICATIONS**

JP Registration No. 787,276 Issued: Feb. 16, 1990 Inven-  
tor: Shinya Harada, et al. Owner: Sanyo Electric Co.,  
Ltd. (Japan).

JP Registration No. 787,278 Issued: Feb. 16, 1990 In-

ventor: Shinya Harada et al. Owner: Sanyo Electric  
Co., Ltd. (Japan).

Catalogue "Acces Portable Digital Facsimile Machine  
Model F10" published by Mitsubishi International Cor-  
poration (U.S.A.) ©1998.

Catalogue "MELFAS 61" published by Mitsubishi  
Electric Co., Ltd. (Japan) 1990.

Catalogue "The Runner" published by Nippon Tele-  
phone & Telegraph Co., Ltd. (Japan).

*Primary Examiner*—Theodore M. Shooman

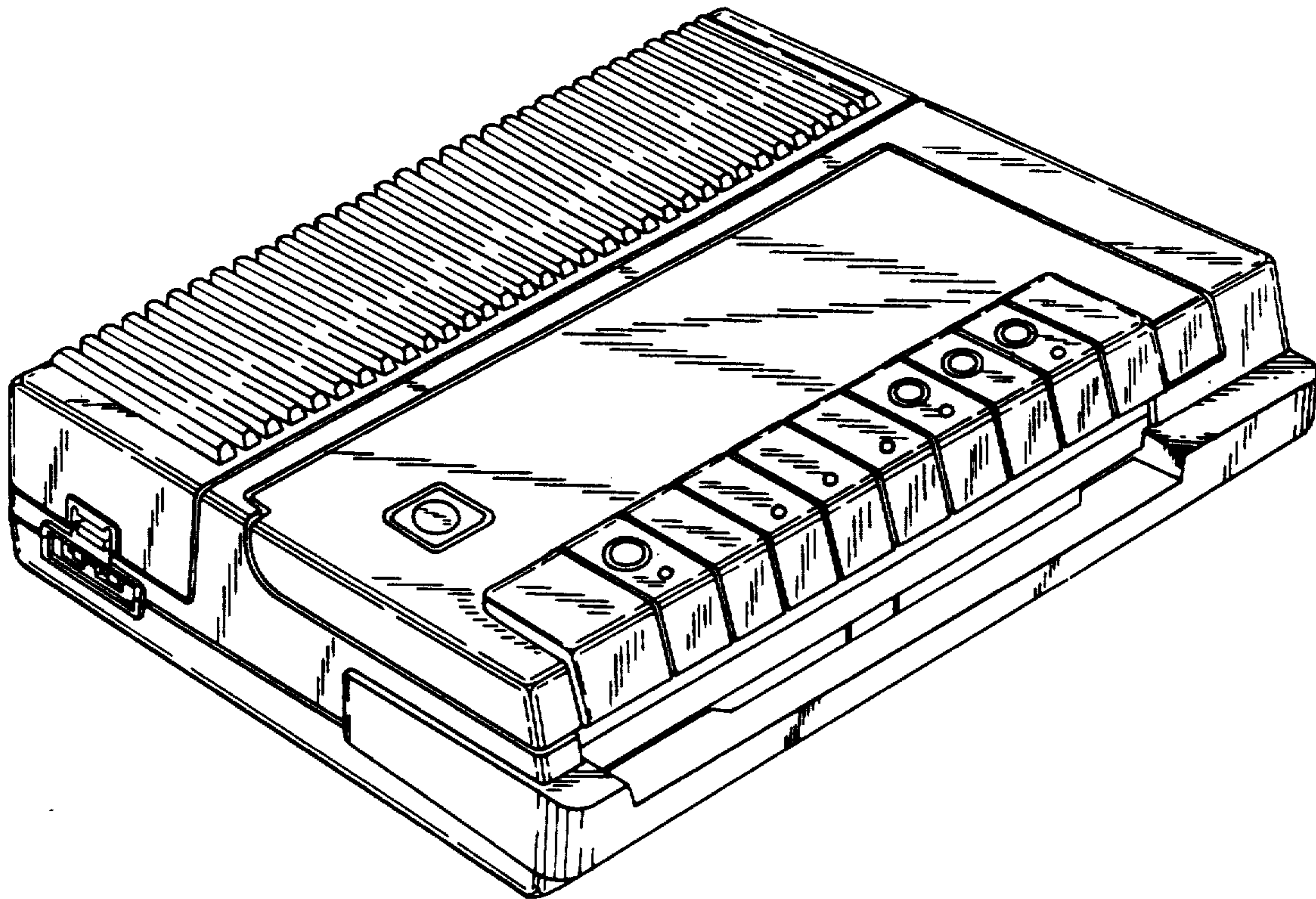
*Attorney, Agent, or Firm*—Wenderoth, Lind & Ponack

[57] **CLAIM**

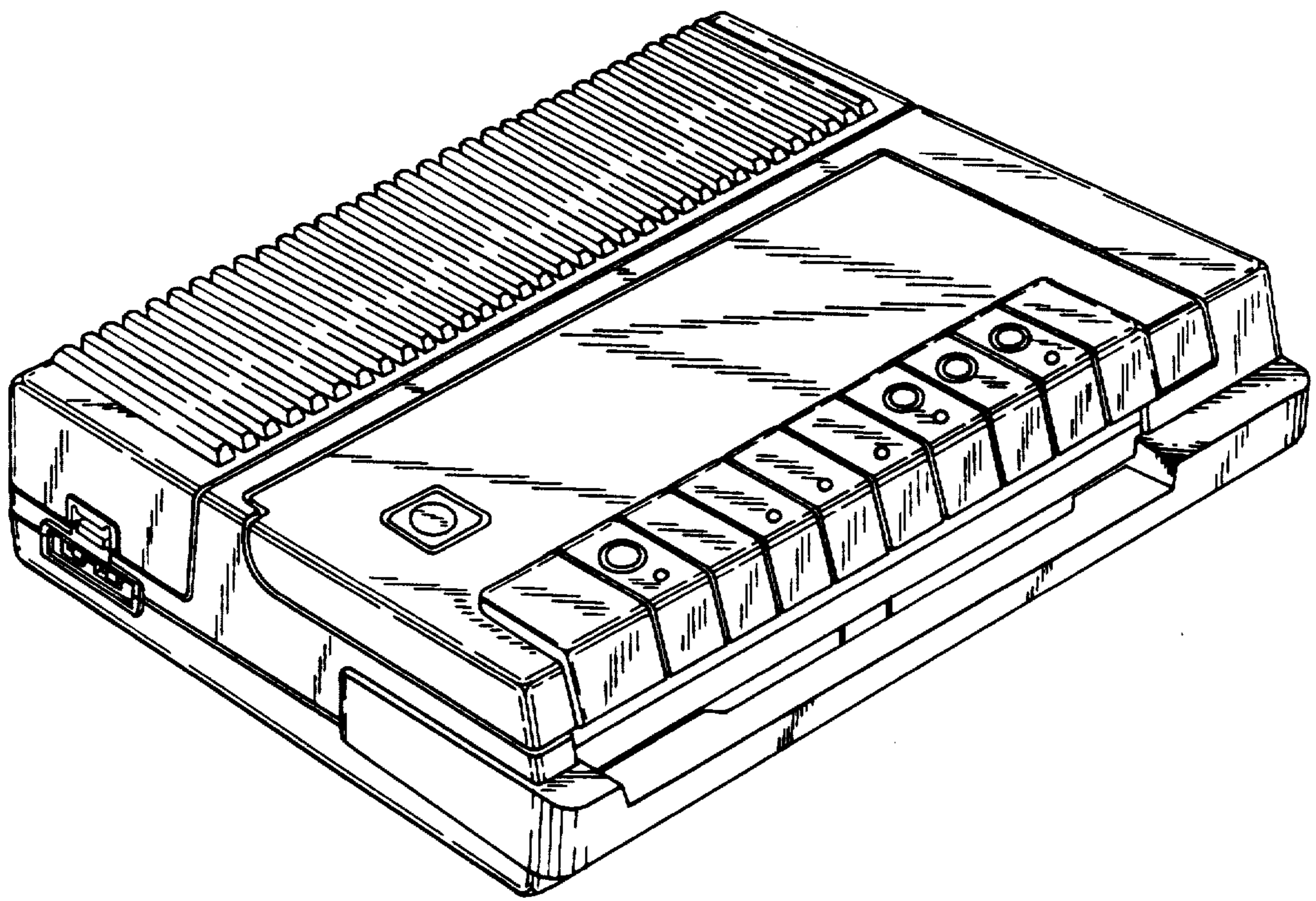
The ornamental design for a portable facsimile machine,  
as shown and described.

**DESCRIPTION**

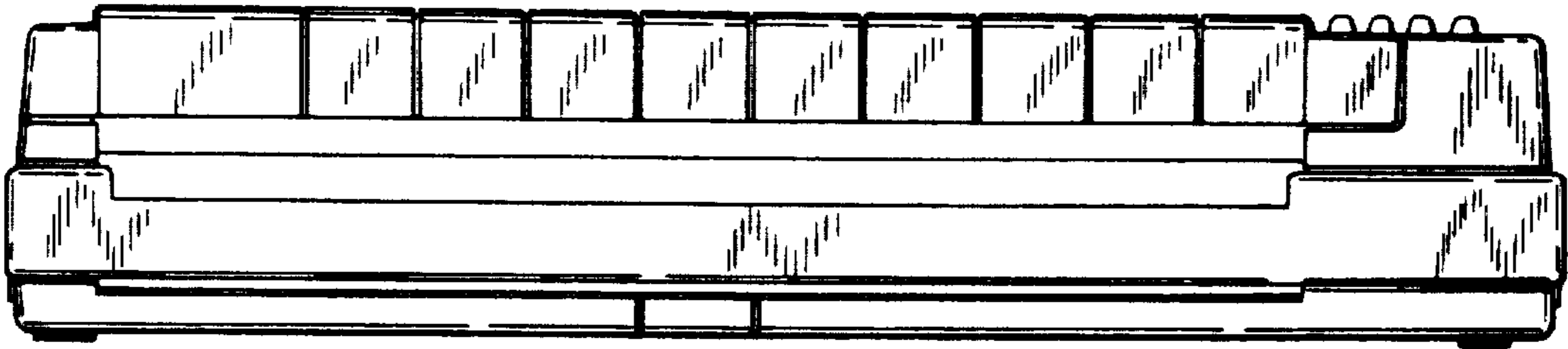
FIG. 1 is a front top and left side perspective view of a  
portable facsimile machine showing my new design;  
FIG. 2 is a front elevational view thereof;  
FIG. 3 is a rear elevational view thereof;  
FIG. 4 is a top plan view thereof;  
FIG. 5 is a bottom view thereof;  
FIG. 6 is a left side elevational view thereof;  
FIG. 7. is a right side elevational view thereof; and,  
FIG. 8 is a front, top and left side perspective view  
thereof, shown with the handle pulled forward.



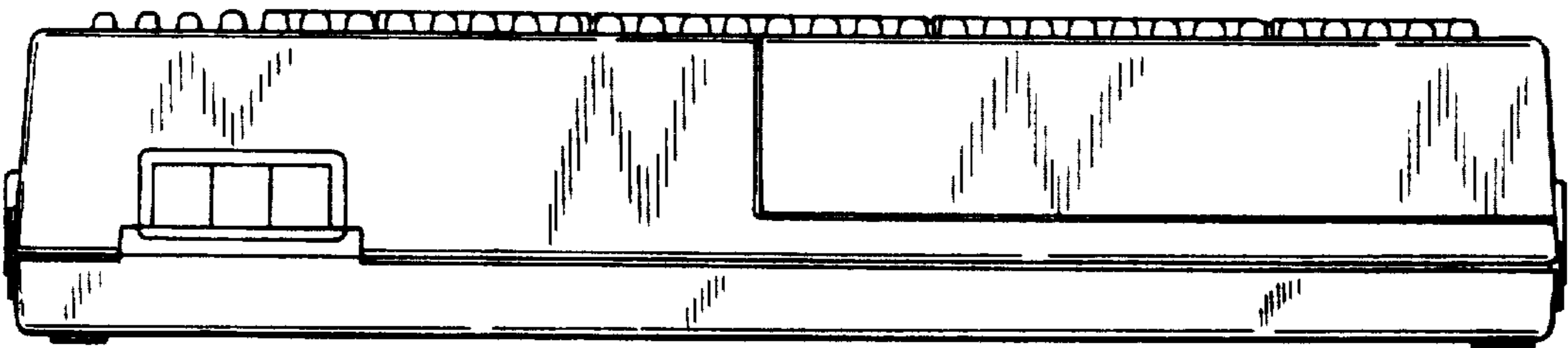
*Fig. 1*



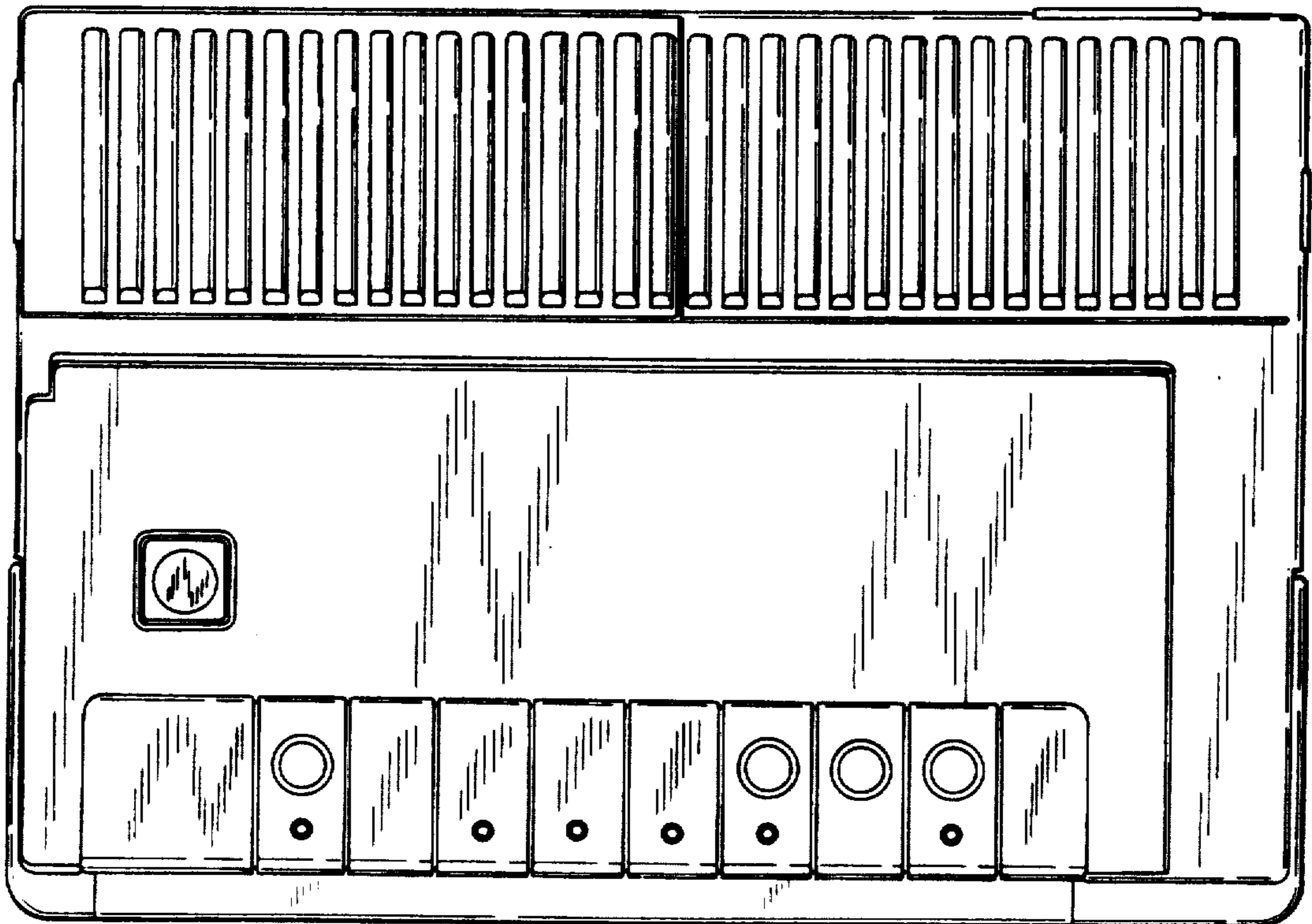
*Fig. 2*



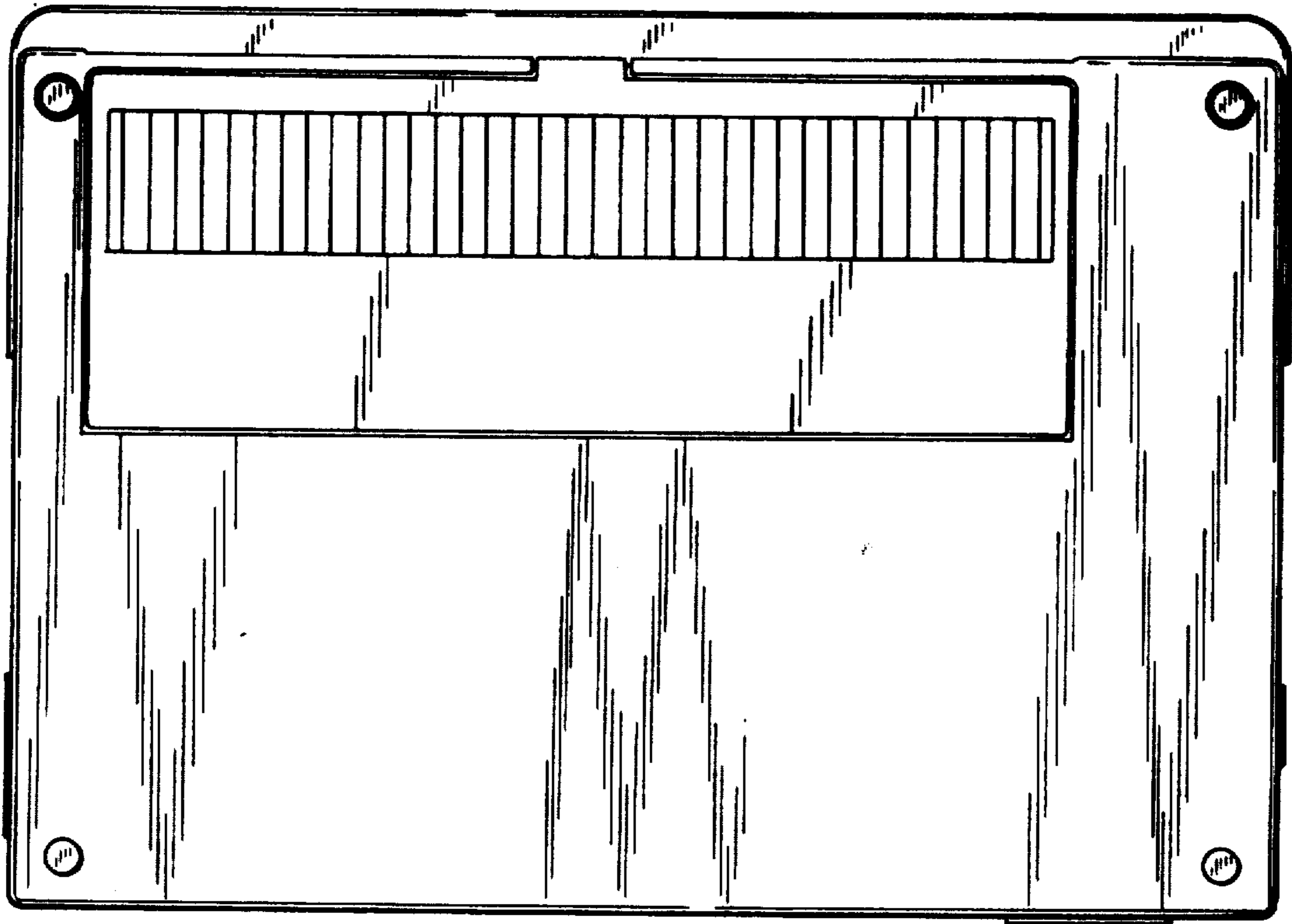
*Fig. 3*



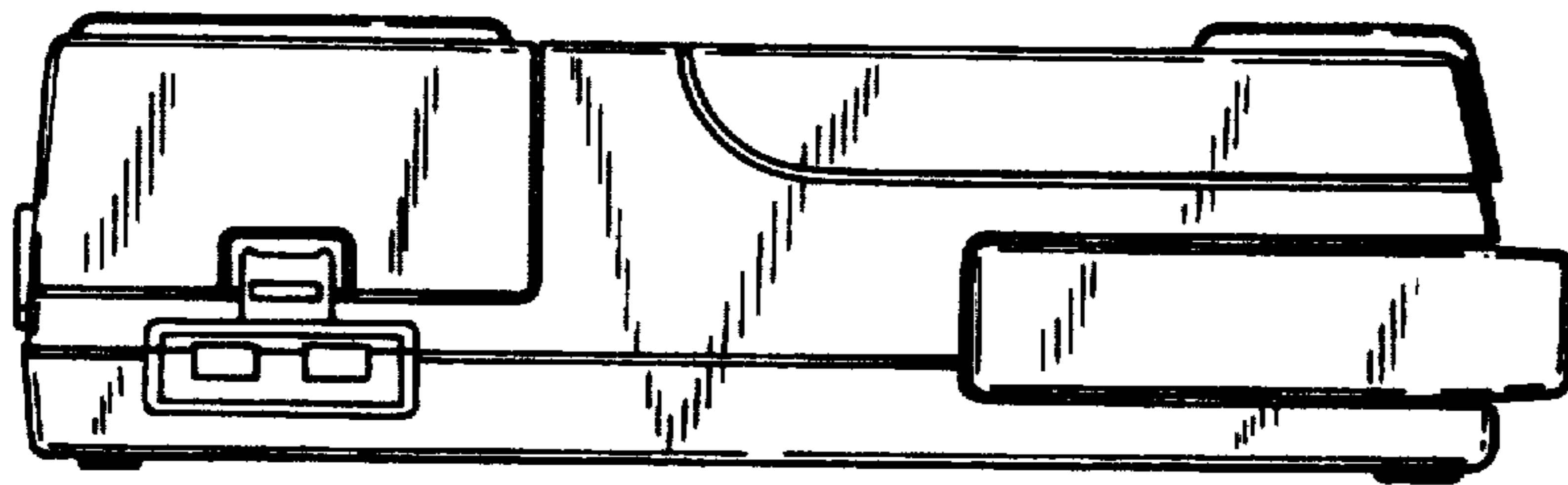
*Fig. 4*



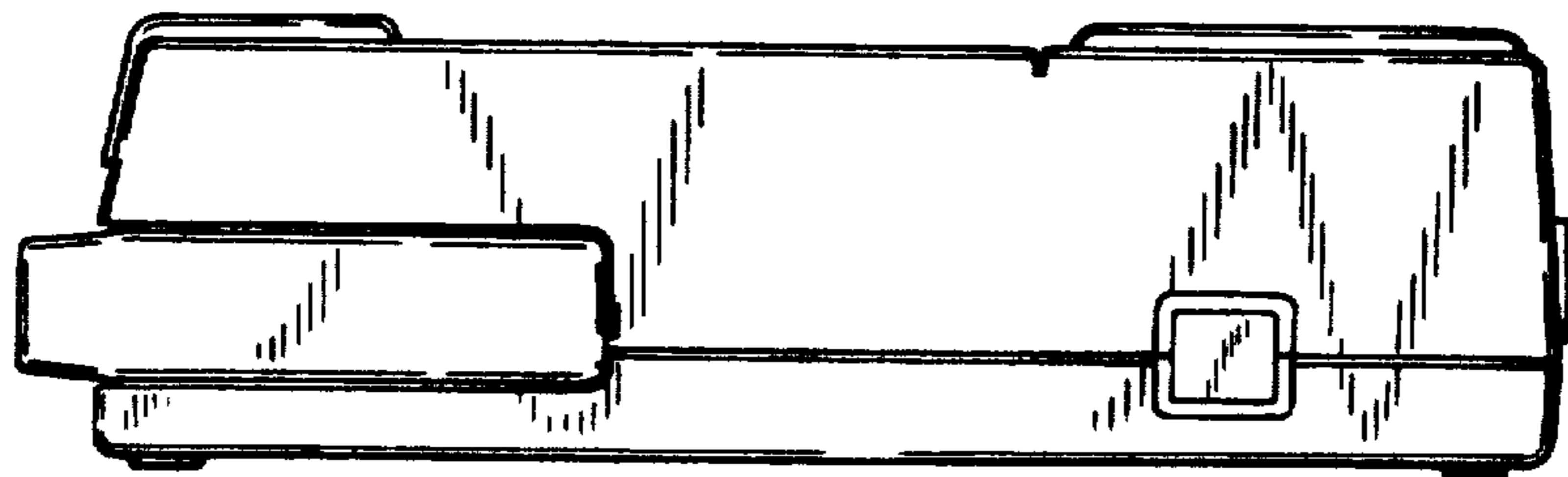
*Fig. 5*



*Fig. 6*



*Fig. 7*



*Fig. 8*

