



US00D328067S

United States Patent [19] Garmon

[11] Patent Number: **Des. 328,067**
[45] Date of Patent: **** Jul. 21, 1992**

[54] **OPTICAL DISK DRIVE FRONT PANEL**

[75] Inventor: **Vincent S. Garmon, Boynton Beach, Fla.**

[73] Assignee: **International Business Machines Corp., Armonk, N.Y.**

[**] Term: **14 Years**

[21] Appl. No.: **605,066**

[22] Filed: **Oct. 26, 1990**

[52] U.S. Cl. **D14/115**

[58] Field of Search **D14/100, 101, 102, 105, D14/106-109, 114, 115; D13/162, 184, 199; D6/492, 494; 360/97.01-99.12; 361/330-335, 380-385, 390-395; 312/208**

[56] **References Cited**

U.S. PATENT DOCUMENTS

- D. 284,664 7/1986 Davis et al. D14/100
- D. 289,056 3/1987 Davis et al. D14/100
- D. 292,515 10/1987 Martin D14/100

- D. 293,443 12/1987 Davis et al. D14/100
- D. 293,444 12/1987 Garmon D14/100
- D. 293,910 1/1988 Alfonso et al. D14/100
- D. 297,893 10/1988 Garmon D6/494
- D. 298,252 10/1988 Sapper D14/109 X
- D. 304,333 10/1989 Kerezman et al. D14/114
- D. 306,438 3/1990 Garmon et al. D14/115

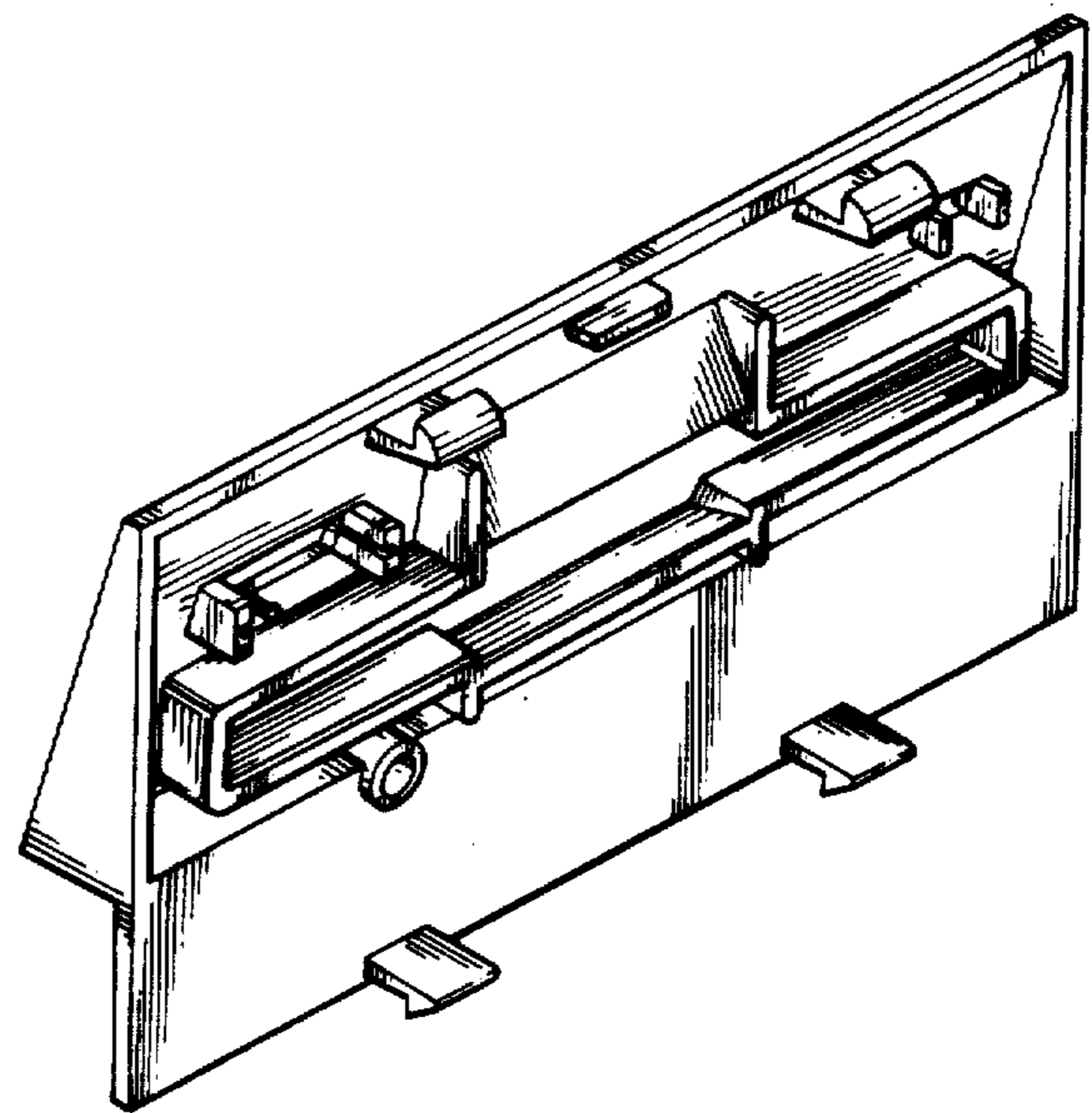
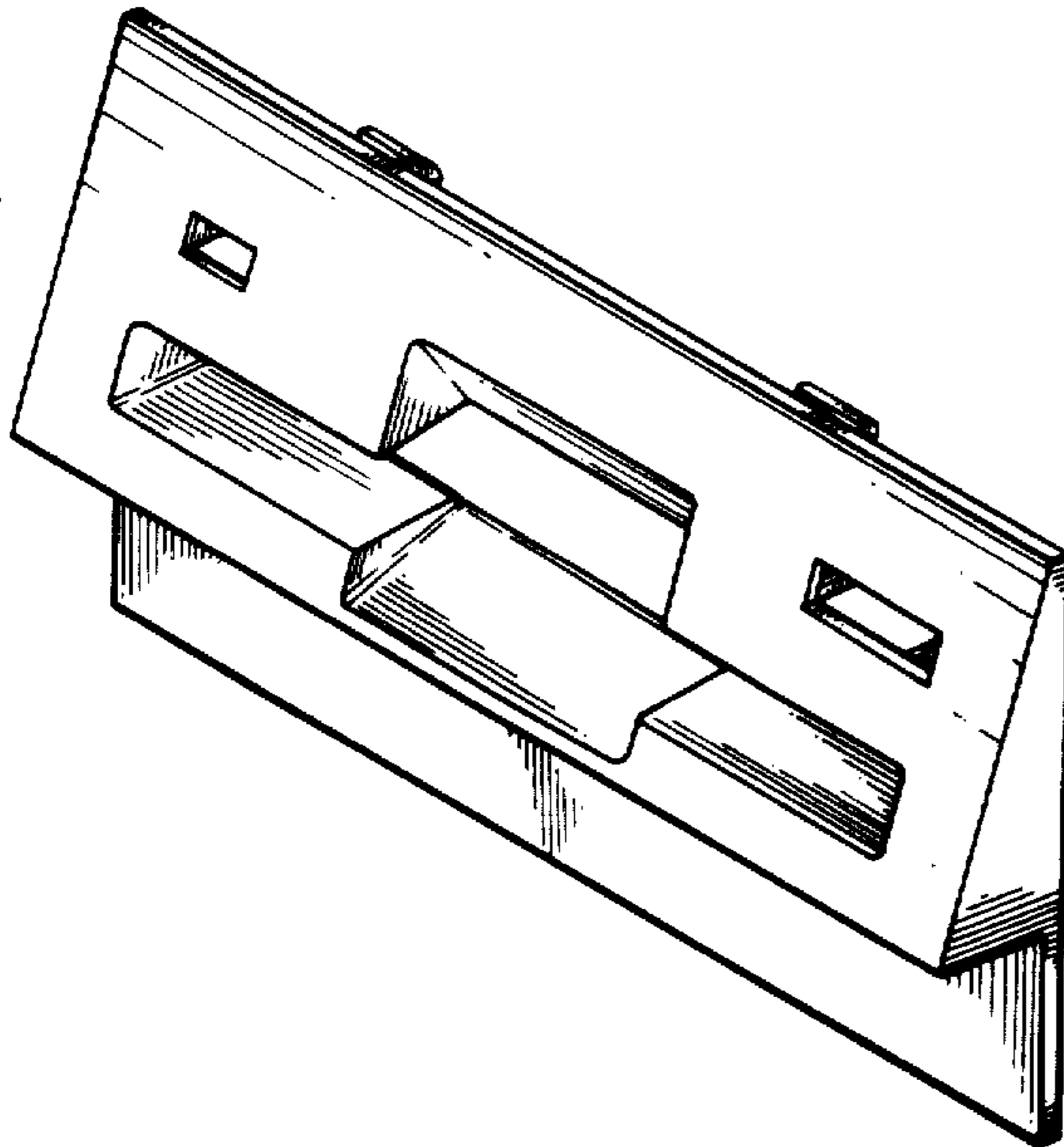
Primary Examiner—Wallace R. Burke
Assistant Examiner—Freda S. Nunn

[57] **CLAIM**

The ornamental design for an optical disk drive front panel, as shown.

DESCRIPTION

FIG. 1 is a top front right side perspective view of an optical disk drive front panel showing my new design; FIG. 2 is a front elevational view thereof; FIG. 3 is a left top rear perspective view thereof; FIG. 4 is a bottom plan view thereof; FIG. 5 is a top plan view thereof; FIG. 6 is a right side elevational view thereof; and, FIG. 7 is a left side elevational view thereof.



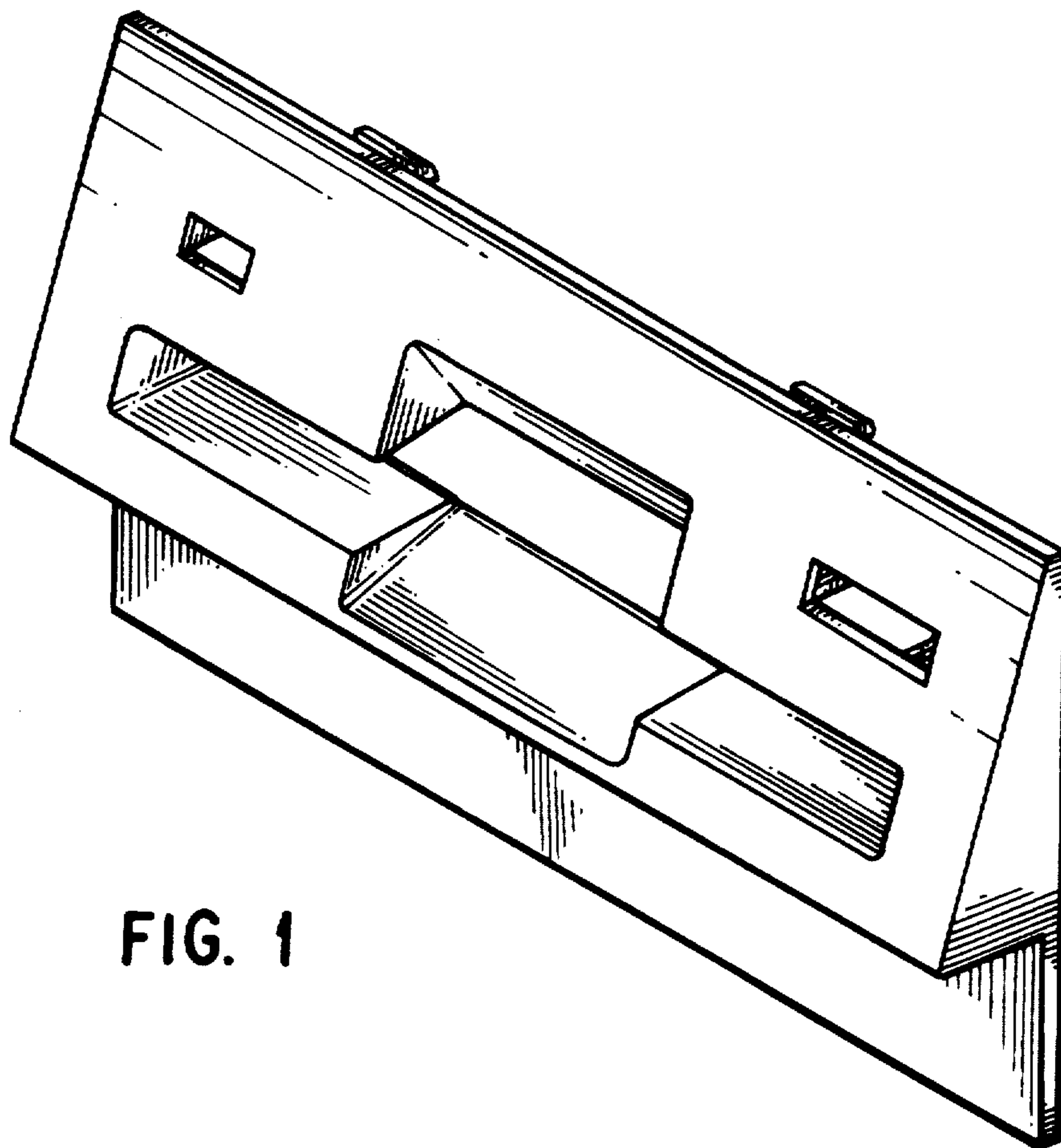


FIG. 1

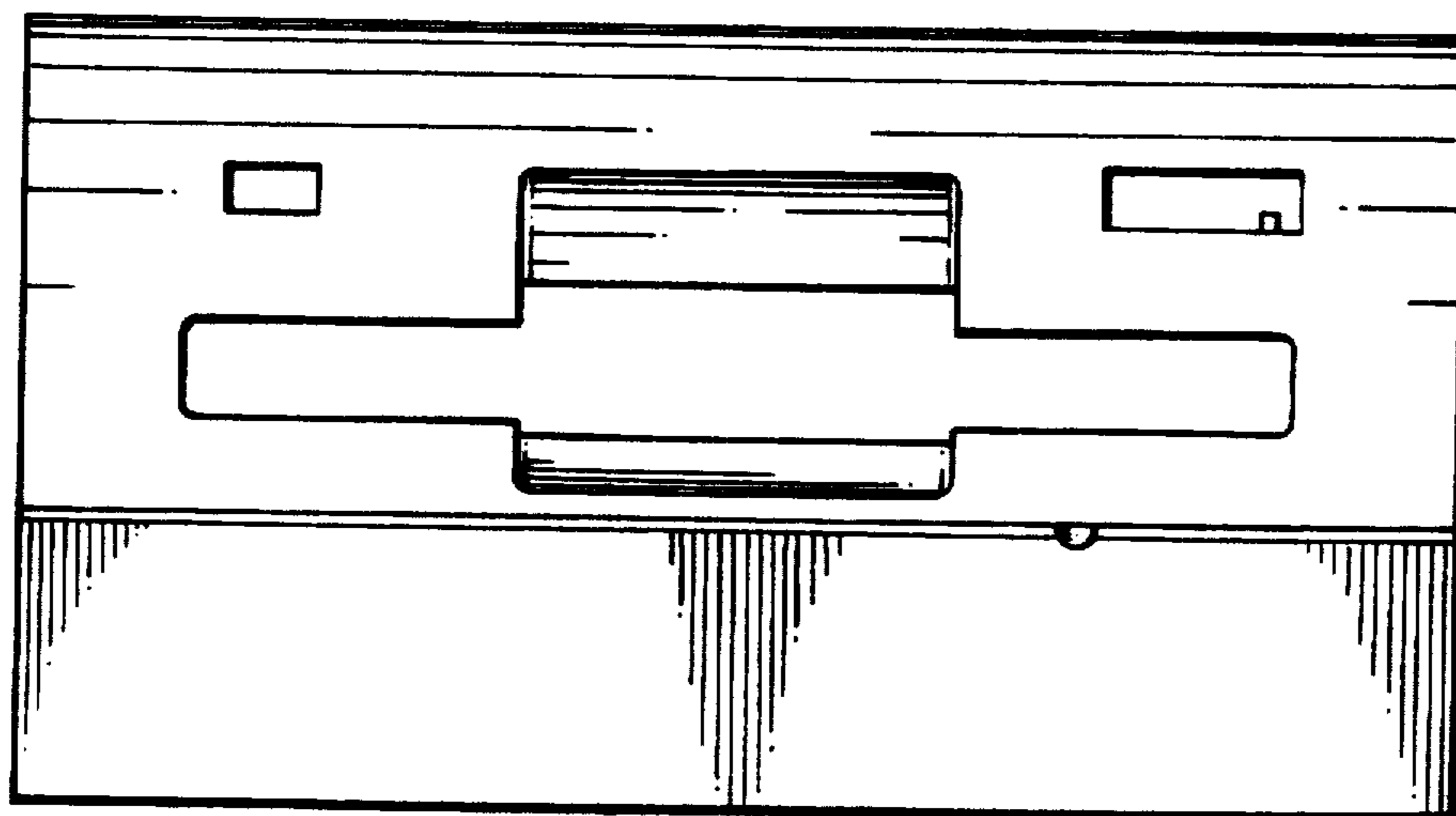


FIG. 2

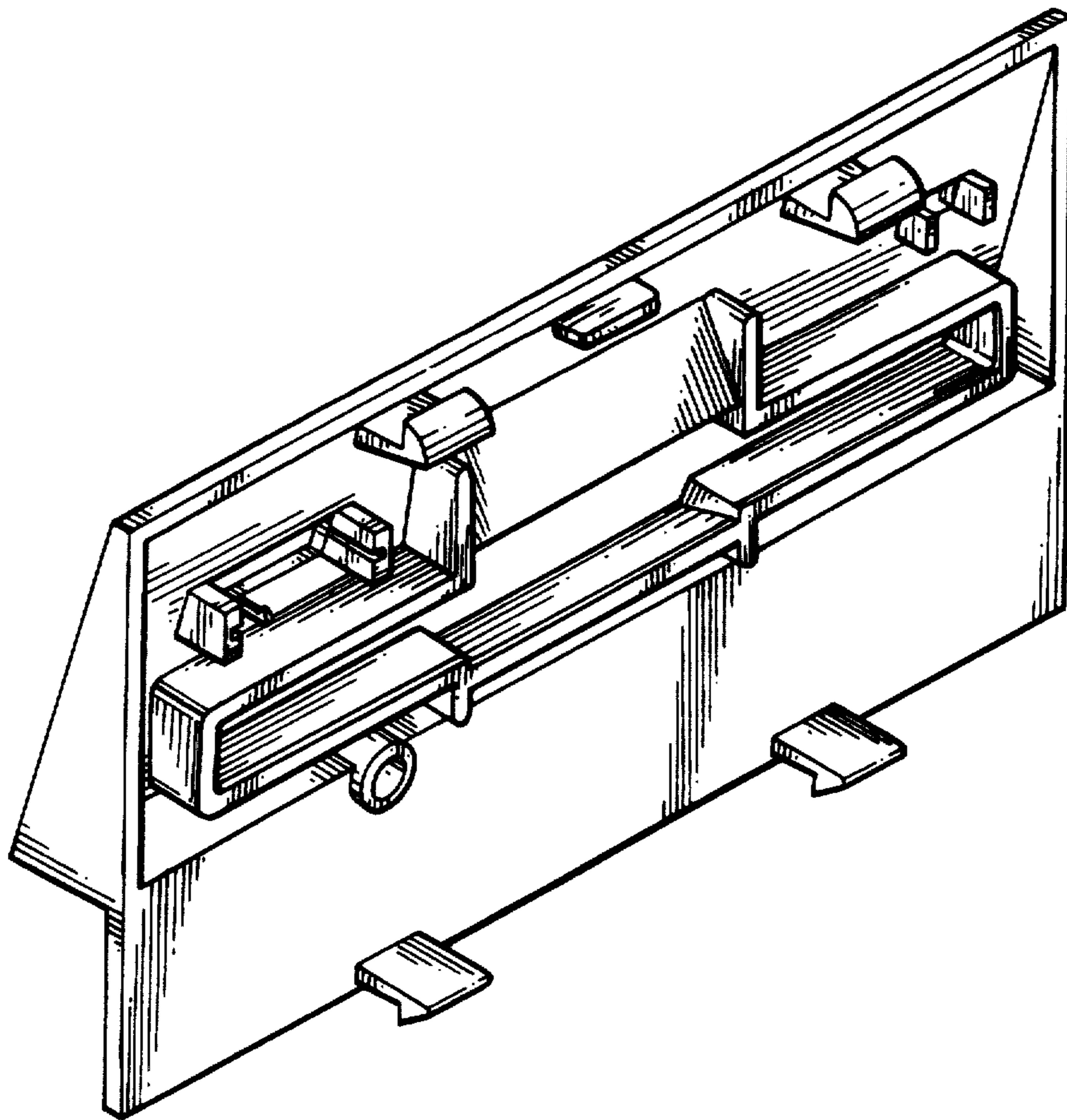


FIG. 3

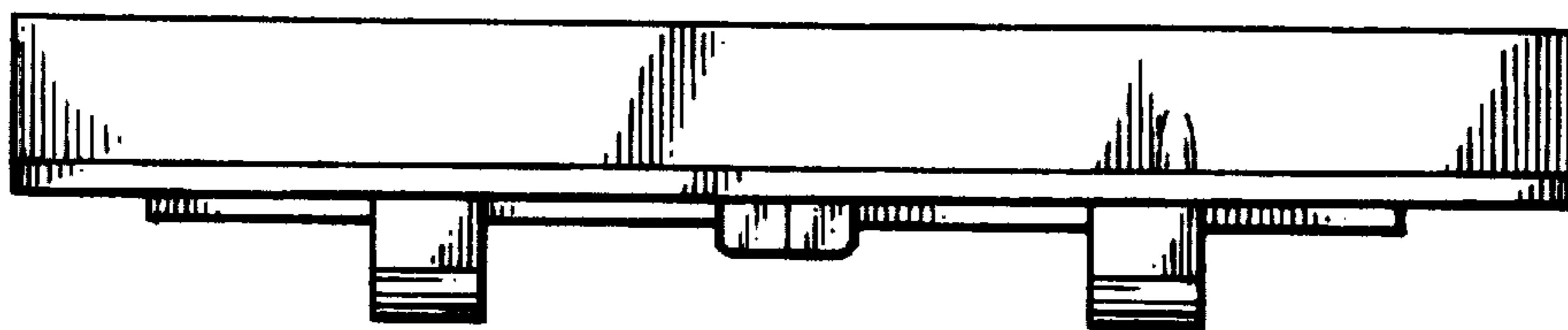


FIG. 4

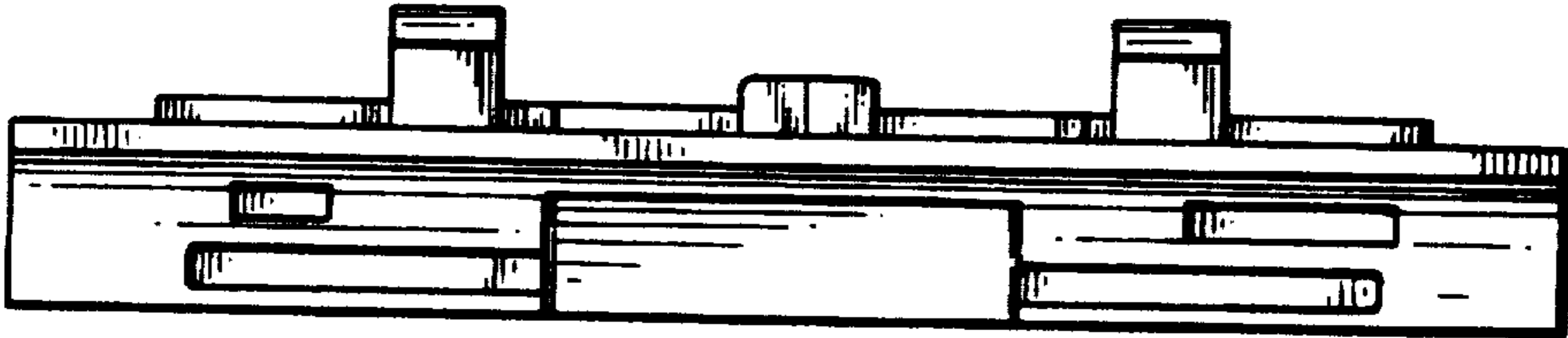


FIG. 5

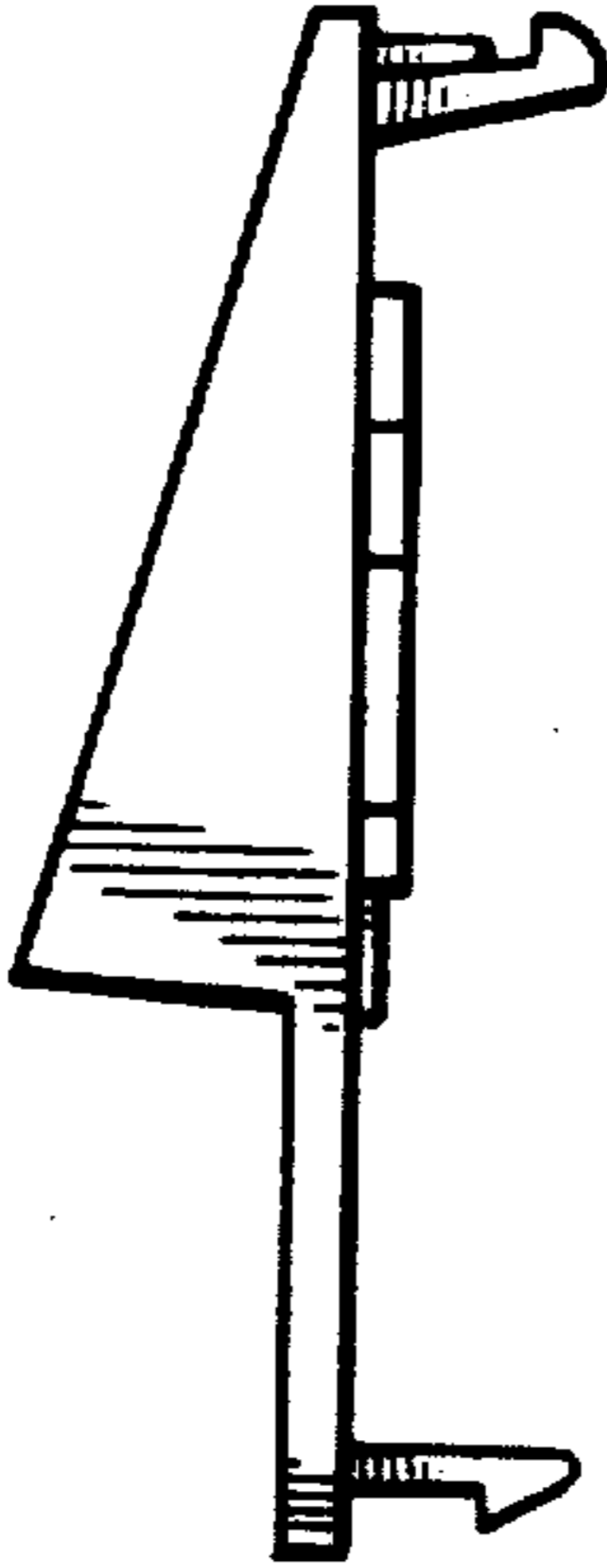


FIG. 6

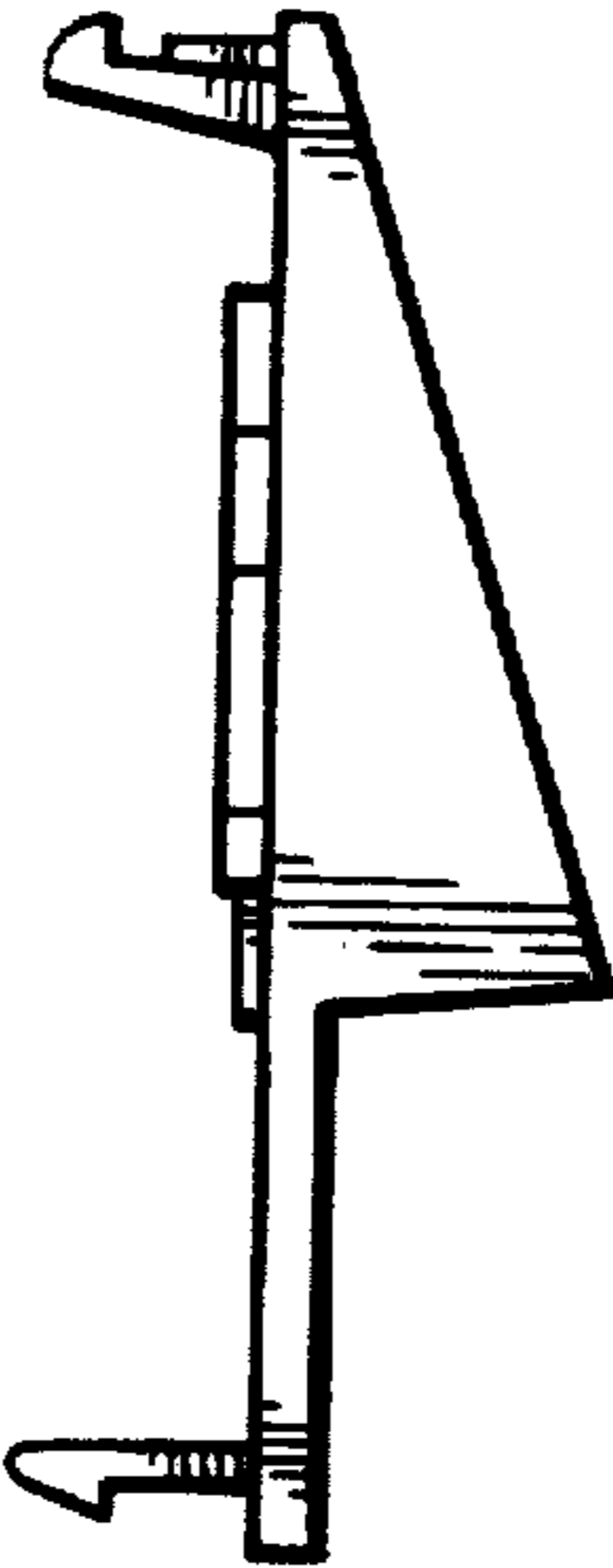


FIG. 7