



US00D328065S

United States Patent [19] Nezu

[11] Patent Number: Des. 328,065

[45] Date of Patent: ** Jul. 21, 1992

[54] WORD PROCESSOR

[75] Inventor: Shigeru Nezu, Tokyo, Japan

[73] Assignee: Canon Kabushiki Kaisha, Tokyo, Japan

[**] Term: 14 Years

[21] Appl. No.: 565,119

[22] Filed: Aug. 10, 1990

[30] Foreign Application Priority Data

Feb. 15, 1990 [JP] Japan 2-4808

[52] U.S. Cl. D14/106

[58] Field of Search D14/100, 101, 105, 106;
D18/1, 7, 11, 12; 340/700, 706, 711, 712;
341/22, 23; 235/145 A, 145 R; 400/493.1, 494,
472, 473, 485; 364/706-709.09, 900

[56] References Cited

U.S. PATENT DOCUMENTS

D. 290,845 7/1987 Yubisui et al. D14/100 X

D. 295,176 4/1988 Nishimoto et al. D14/106
D. 310,213 8/1990 Tsukada et al. D14/106
D. 312,075 11/1990 Lam D14/106
D. 312,626 12/1990 Lam D14/106
D. 316,706 5/1991 Imamura et al. D14/106

Primary Examiner—Wallace R. Burke
Assistant Examiner—Freda S. Nunn
Attorney, Agent, or Firm—Fitzpatrick, Cella, Harper & Scinto

[57] CLAIM

The ornamental design for a word processor, as shown and described.

DESCRIPTION

FIG. 1 is a front elevational view of a word processor showing my new design;
FIG. 2 is a rear elevational view thereof;
FIG. 3 is a top plan view thereof;
FIG. 4 is a bottom plan view thereof;
FIG. 5 is a left side elevational view thereof;
FIG. 6 is a right side elevational view thereof; and,
FIG. 7 is a perspective view thereof.

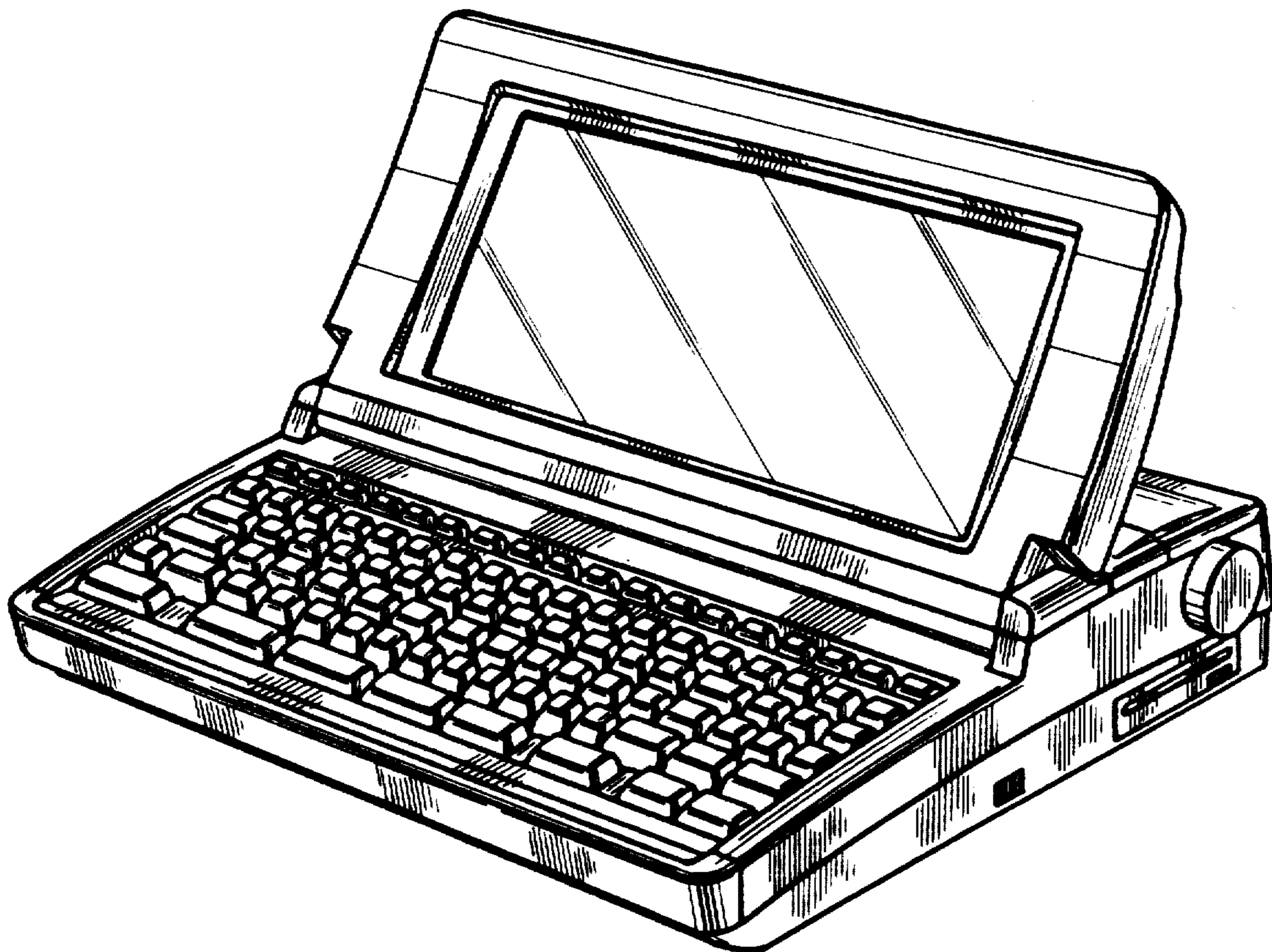


FIG. 1

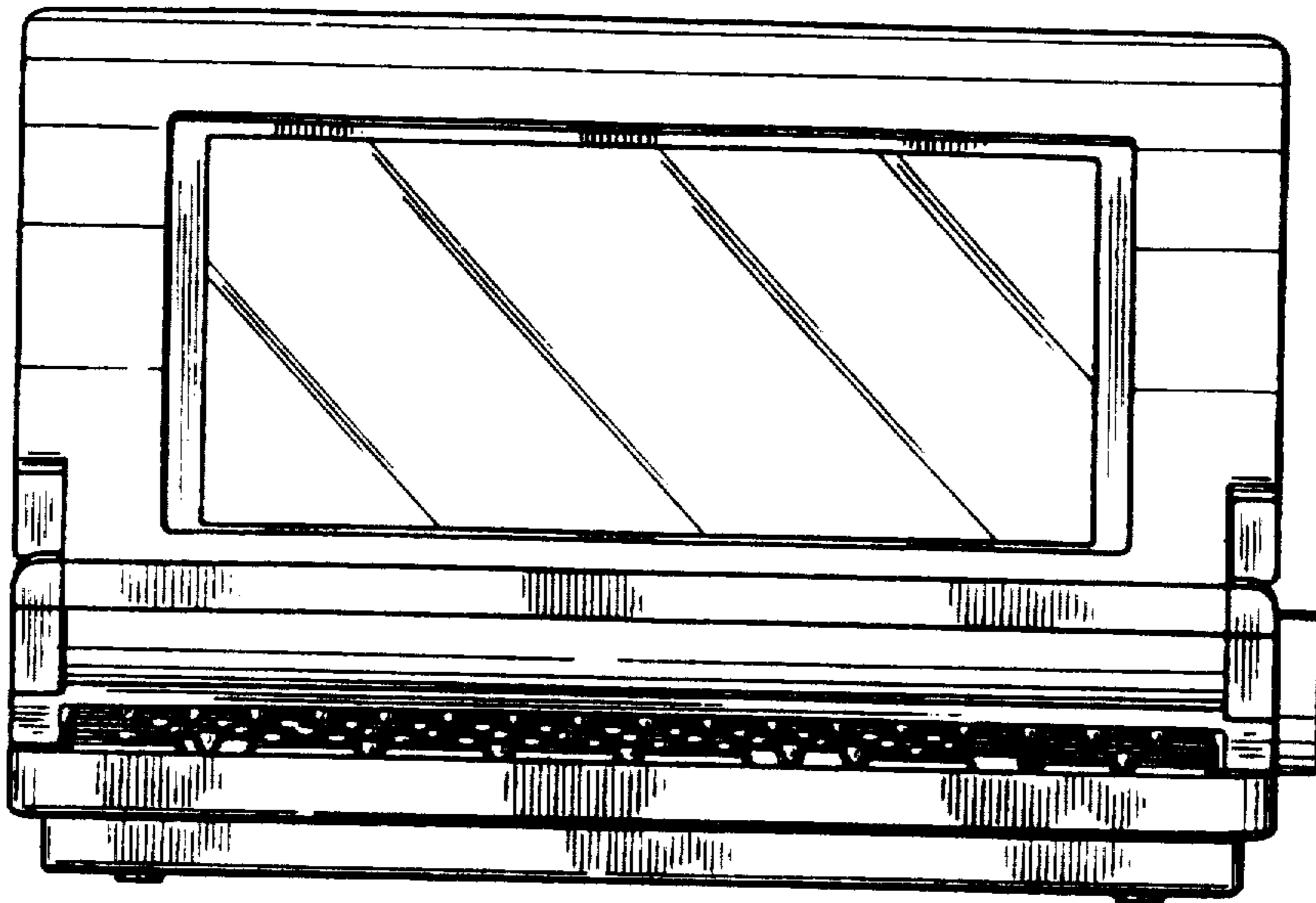


FIG. 2

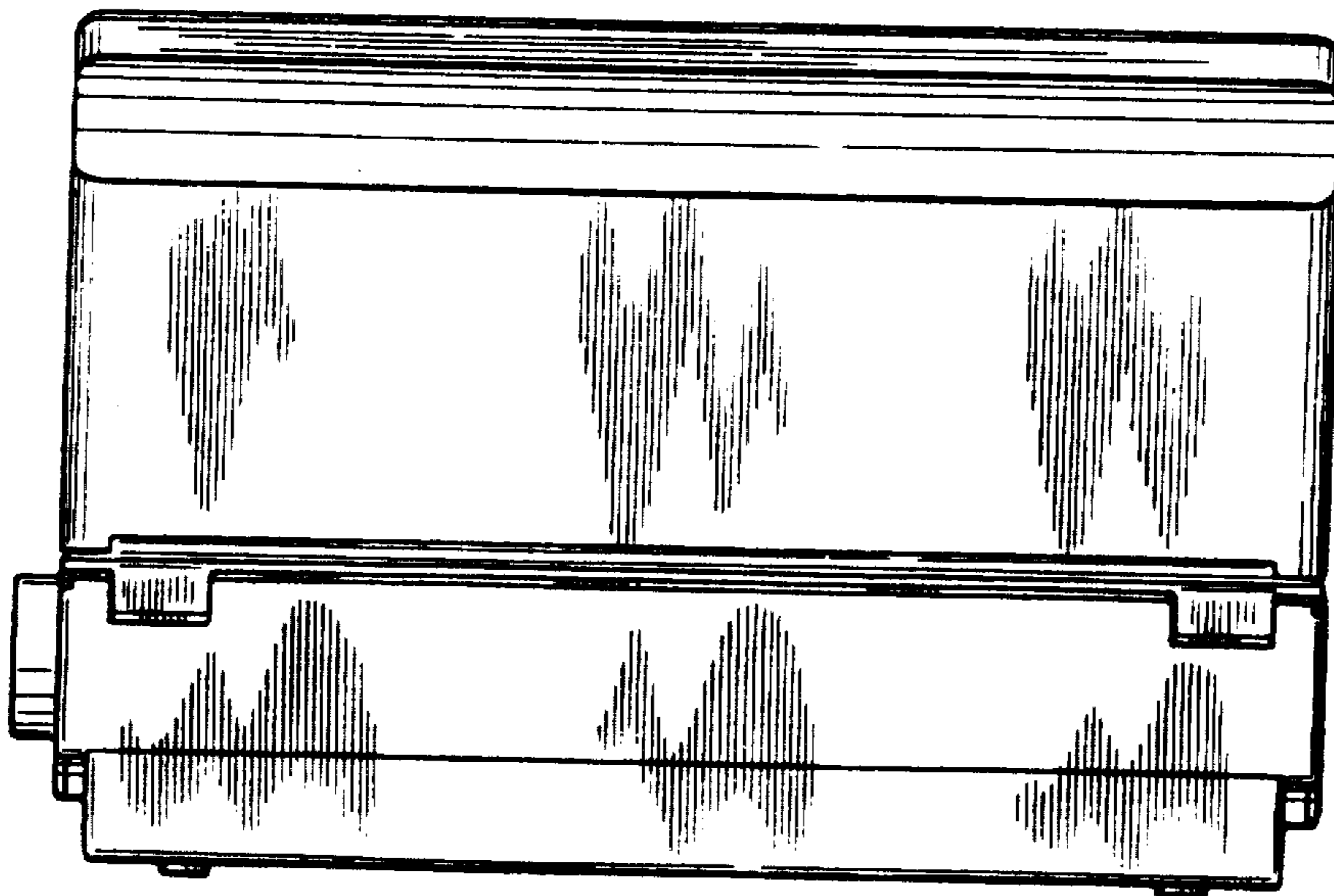


FIG. 3

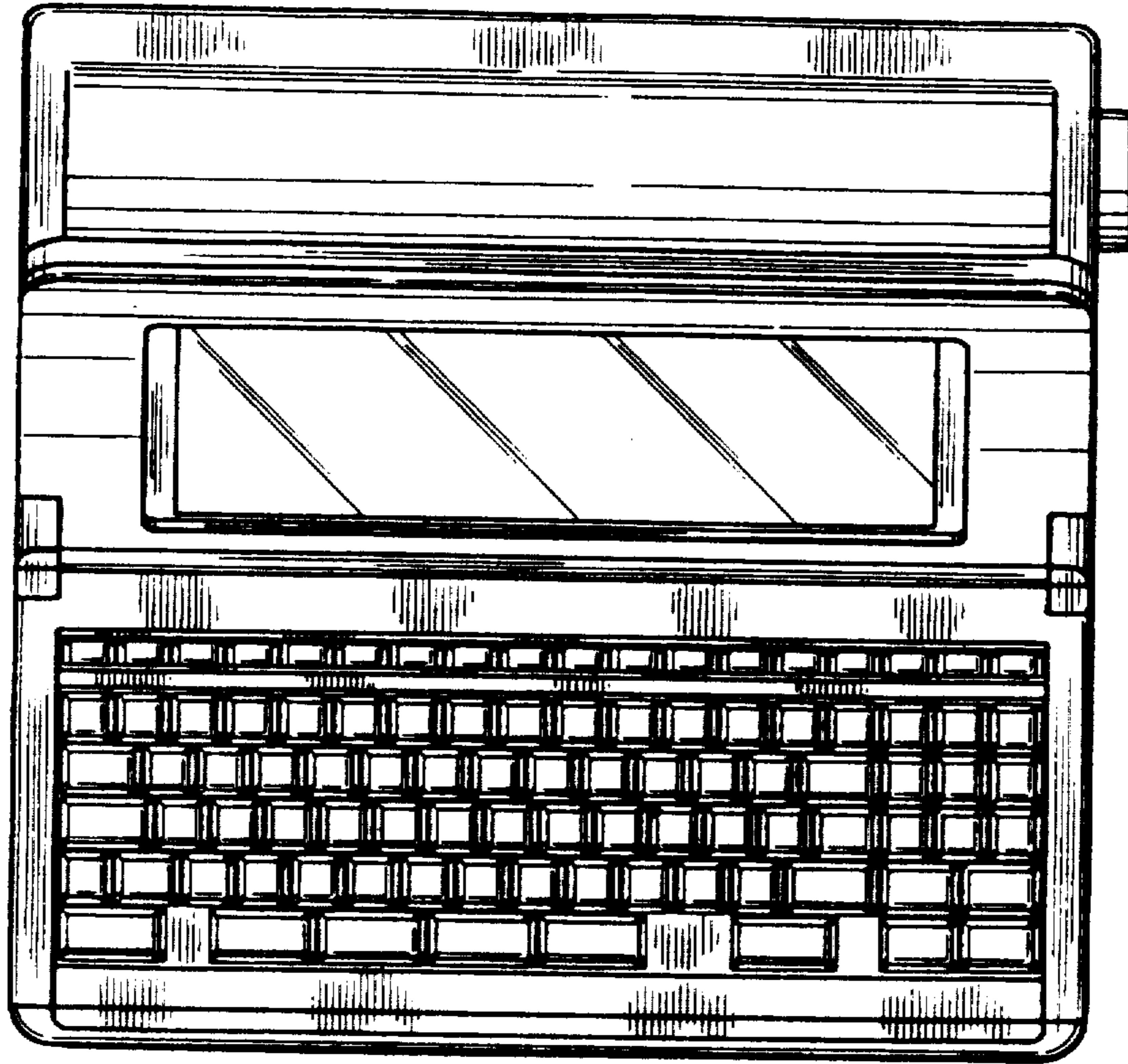
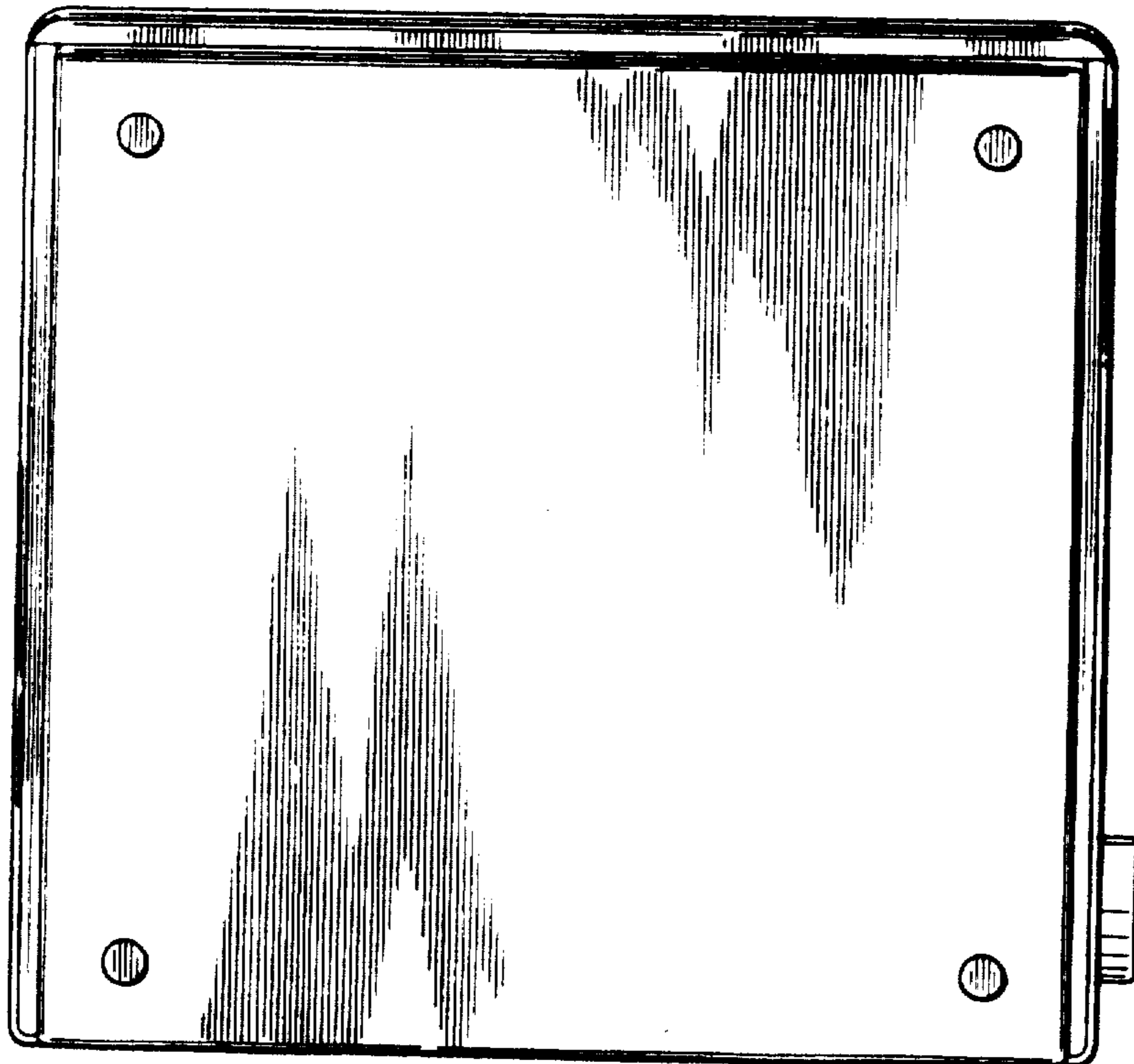


FIG. 4



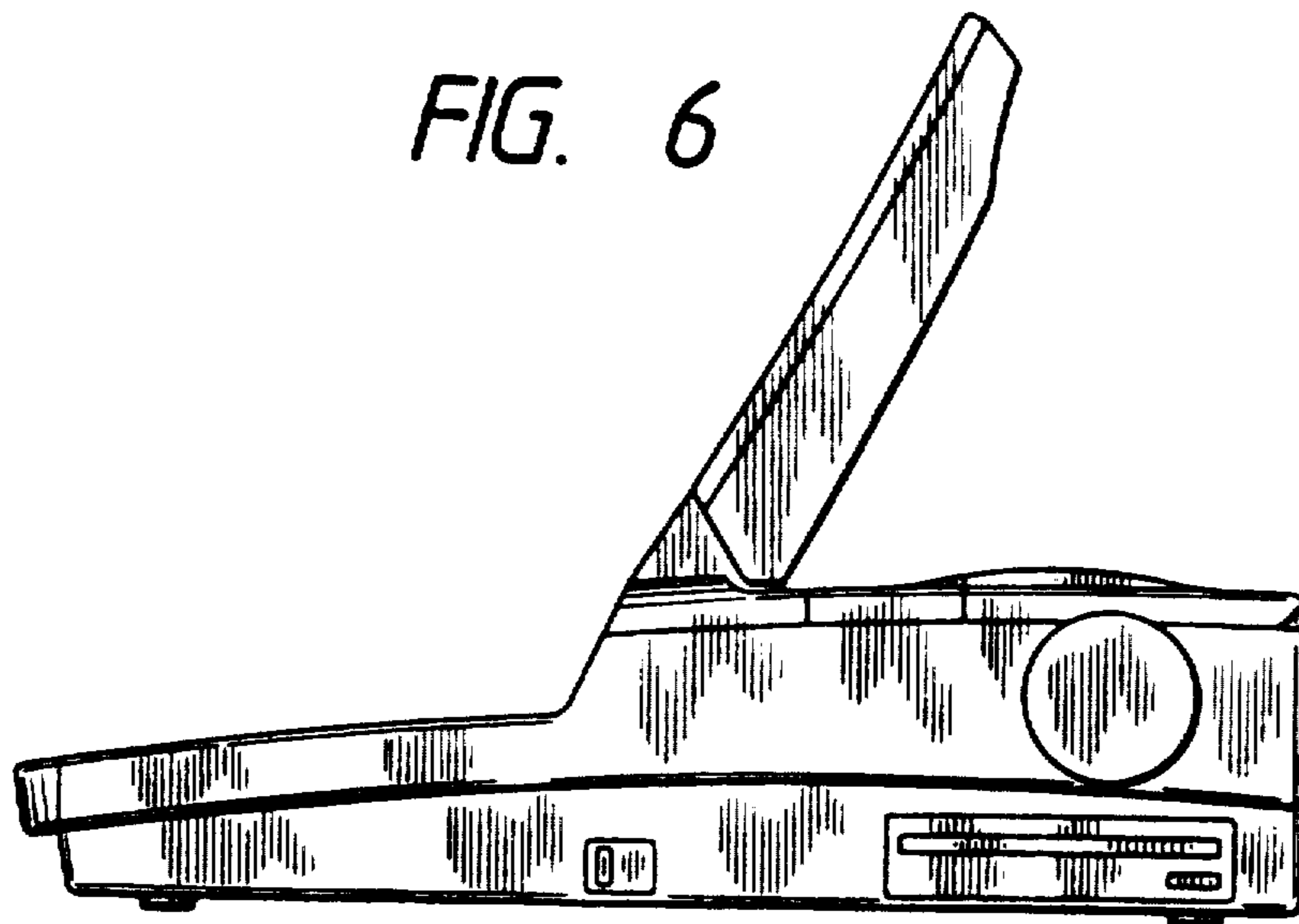
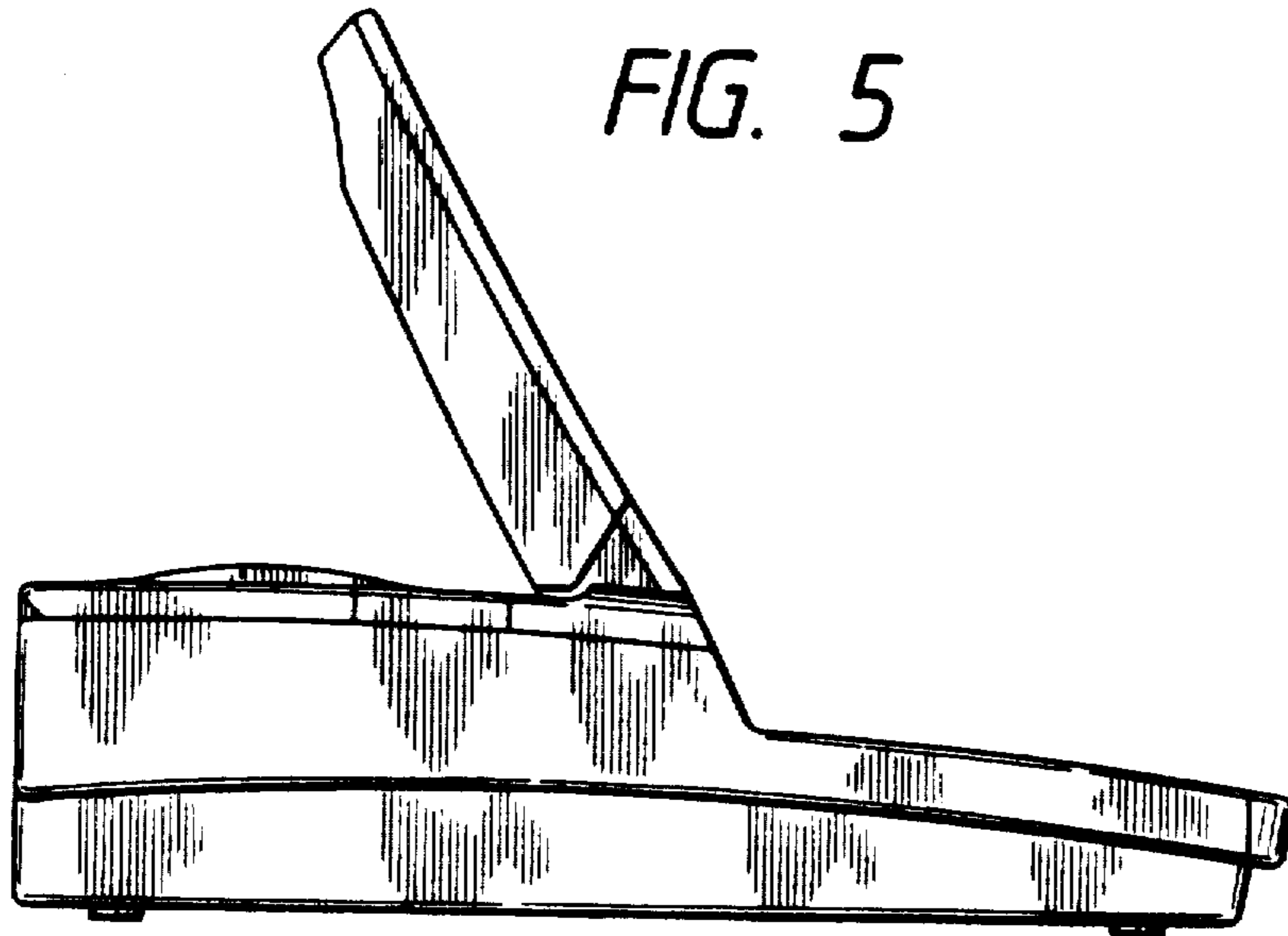


FIG. 7

