



US00D328063S

United States Patent [19]

Yunes

[11] Patent Number: **Des. 328,063**

[45] Date of Patent: **** Jul. 21, 1992**

[54] **COLD AIR SCOOP FOR AUTOMOTIVE VEHICLE**

[76] Inventor: **Franklin Yunes**, 19130 W. Brook Rd., Boca Raton, Fla. 33434

[**] Term: **14 Years**

[21] Appl. No.: **600,237**

[22] Filed: **Oct. 19, 1990**

[52] U.S. Cl. **D12/181**

[58] Field of Search **D12/181, 190; D23/324; 180/68.3, 69.25; 296/180.1**

4,932,490 6/1990 Dewey 180/68.3

FOREIGN PATENT DOCUMENTS

282919 8/1952 Switzerland 180/68.3

Primary Examiner—James M. Gandy
Attorney, Agent, or Firm—Oltman and Flynn

[57] CLAIM

The ornamental design for a cold air scoop for automotive vehicle, as shown and described.

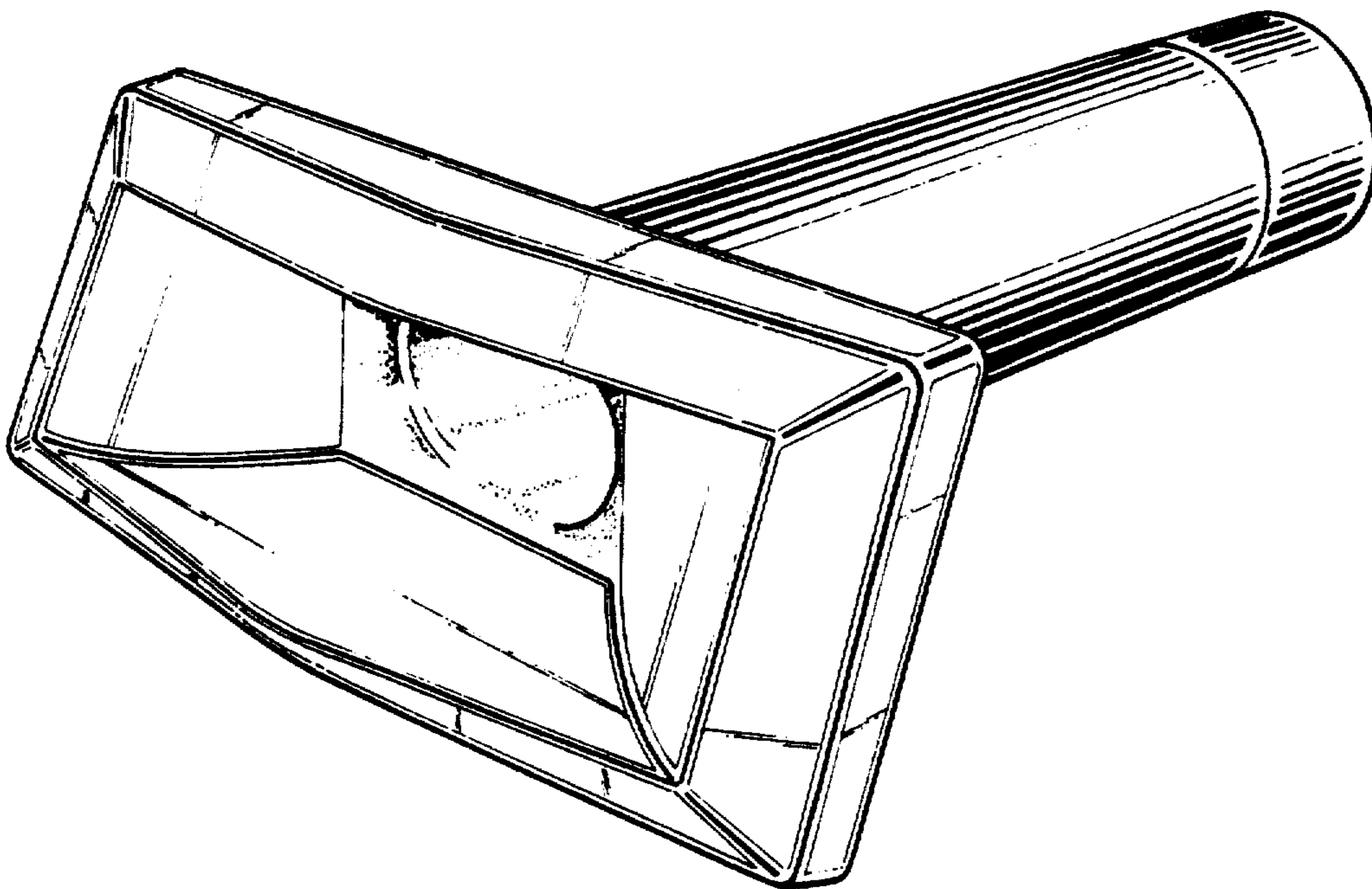
DESCRIPTION

FIG. 1 is a top right perspective view of a cold air scoop for automotive vehicle showing my new design; FIG. 2 is a right side elevational view thereof, the left side being a mirror image; FIG. 3 is a front elevational view thereof; FIG. 4 is a top plan view thereof; FIG. 5 is a bottom plan view thereof; and, FIG. 6 is a rear elevational view thereof.

[56] References Cited

U.S. PATENT DOCUMENTS

4,420,057	12/1983	Omote et al.	180/54
4,516,650	5/1985	Yamaguchi et al.	180/68.3
4,533,012	8/1985	Komoda	180/68.3
4,681,178	7/1987	Brown	D12/181
4,772,299	9/1988	Bogusz'	296/180.1



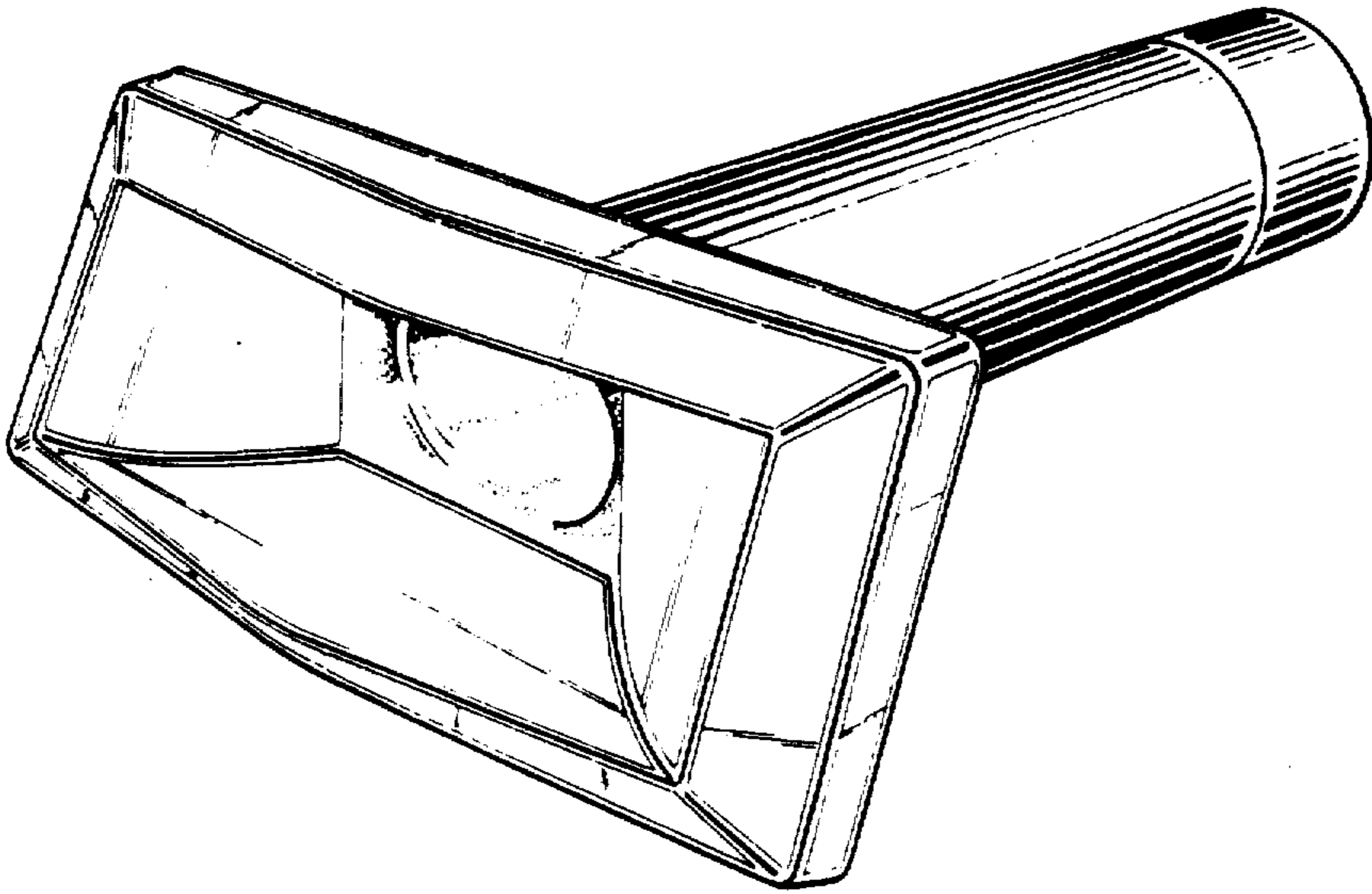


FIG. 1

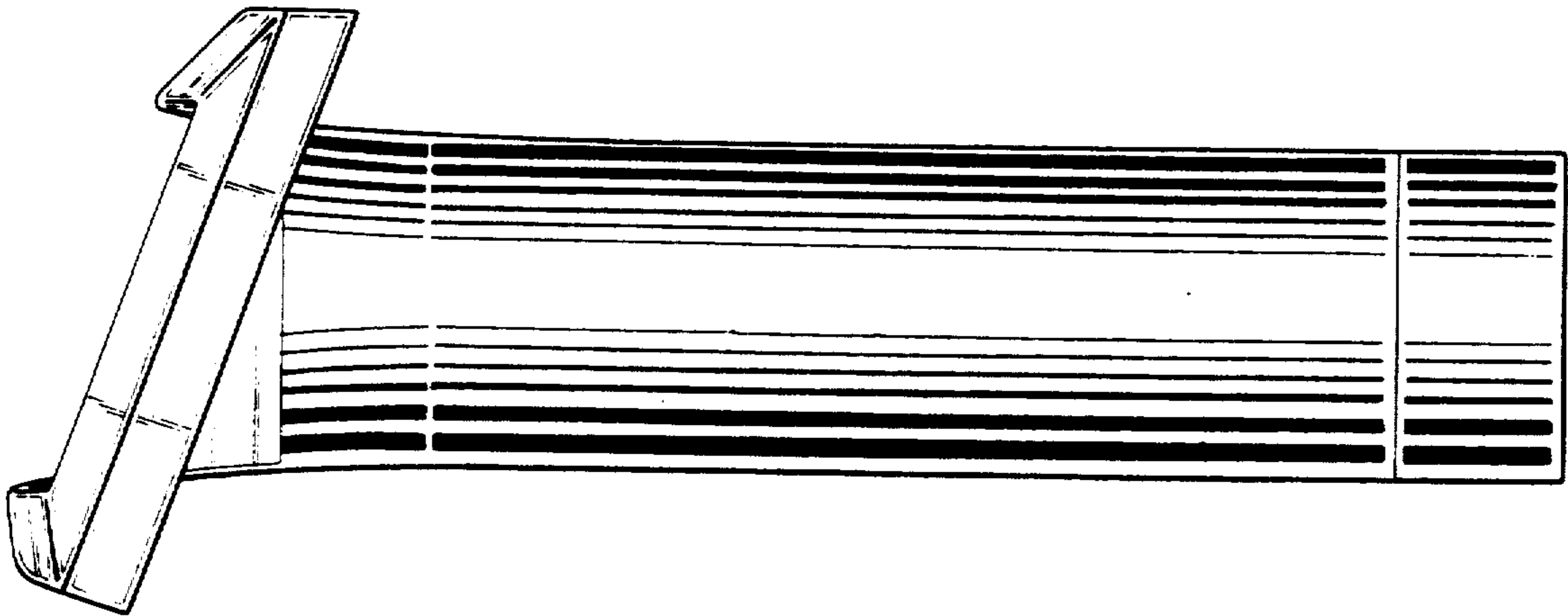


FIG. 2

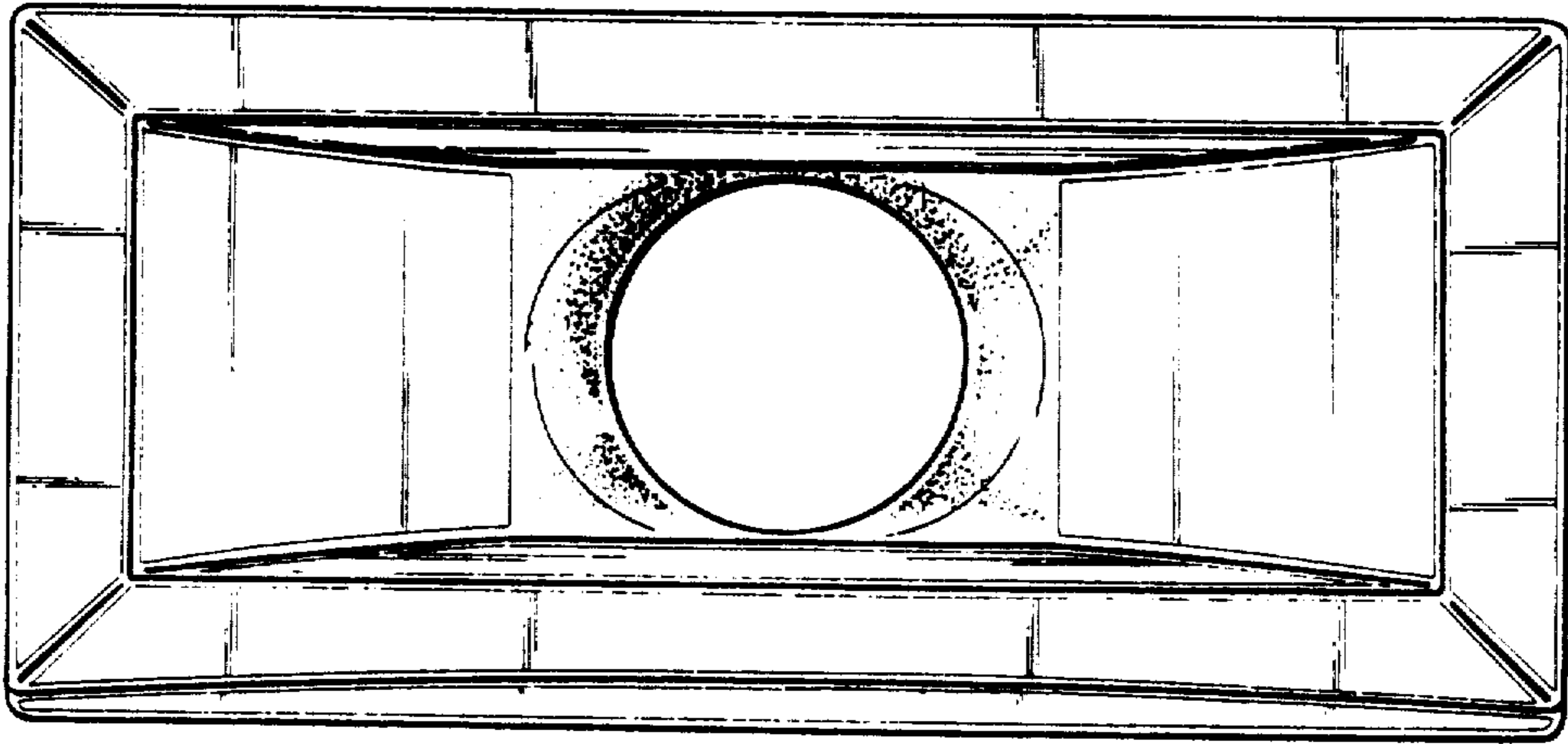


FIG. 3

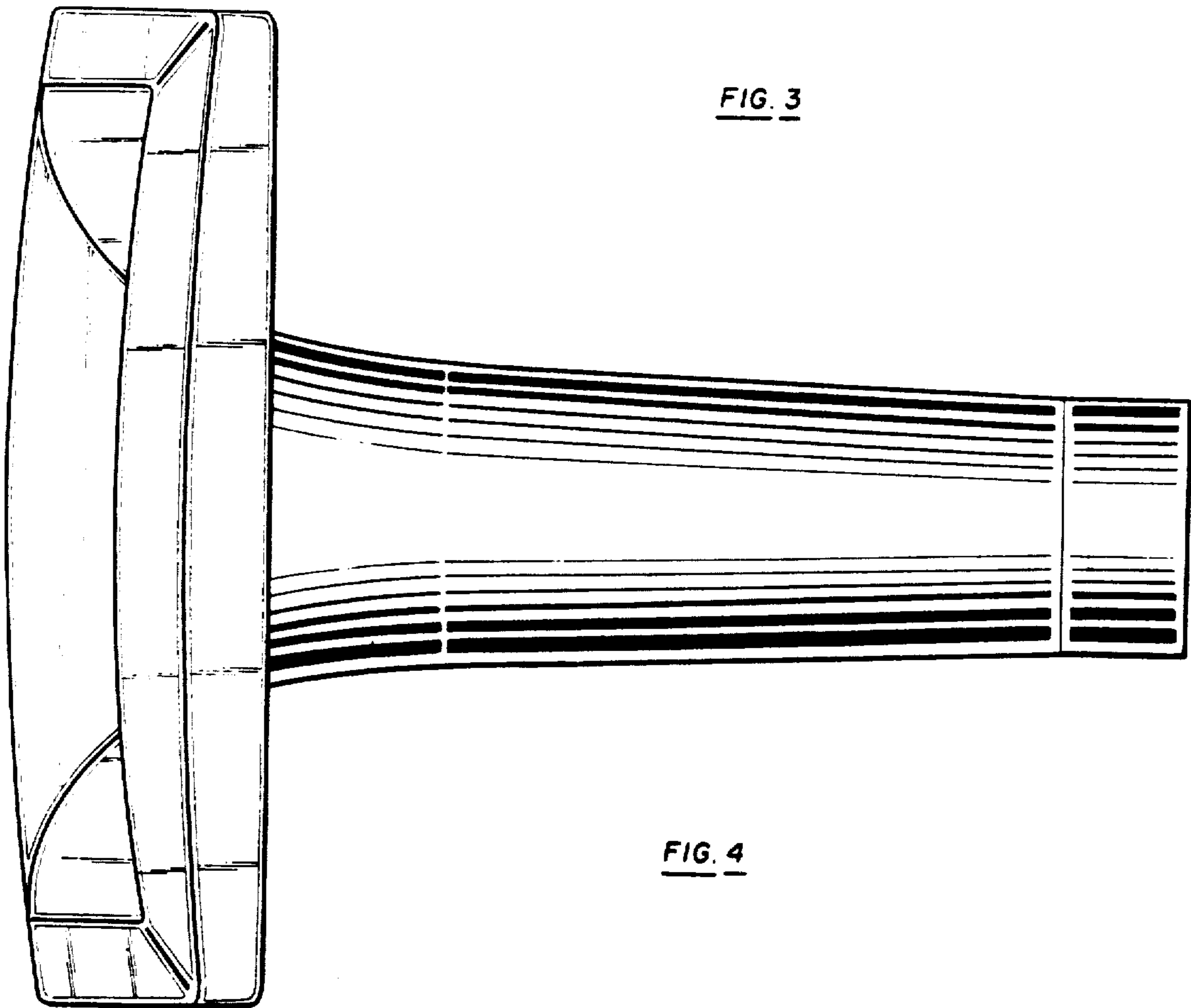


FIG. 4

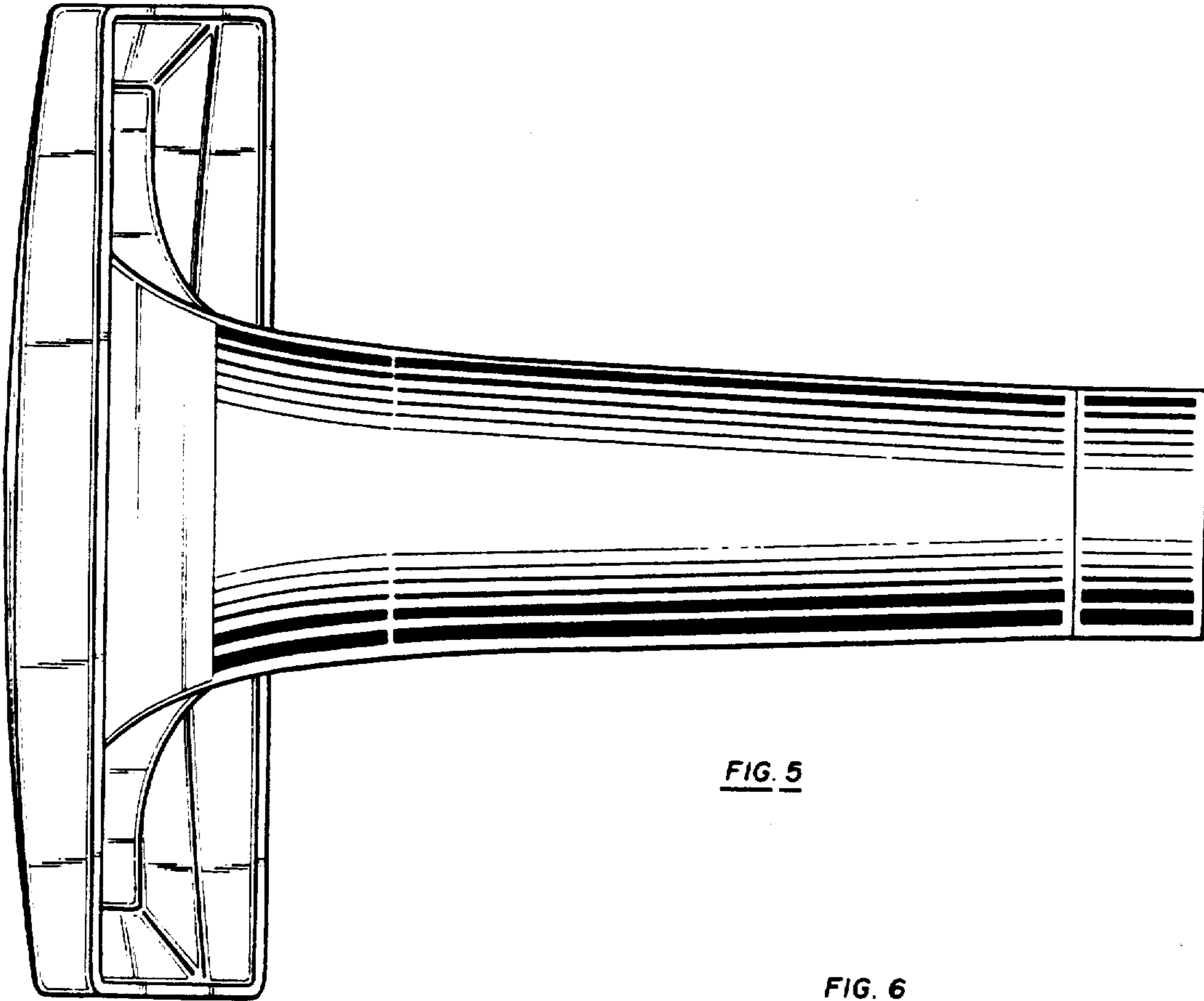


FIG. 5

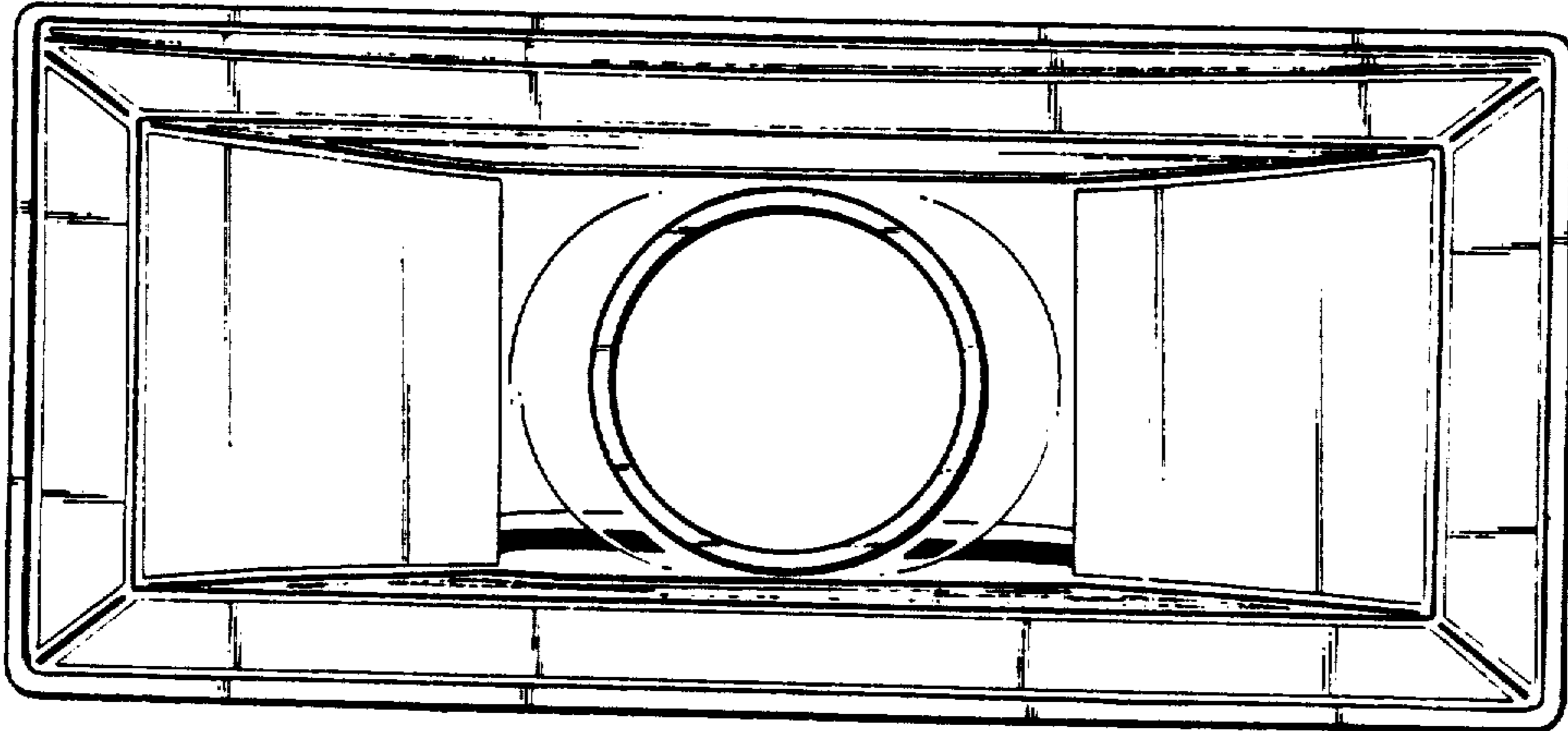


FIG. 6