



US00D328060S

United States Patent [19]

DeSantis

[11] Patent Number: **Des. 328,060**

[45] Date of Patent: **** Jul. 21, 1992**

[54] **MISWIRE-PROOF, PHASE BARRIER, TERMINAL BLOCK**

[75] Inventor: **John J. DeSantis**, Dewitt, N.Y.

[73] Assignee: **Carrier Corporation**, Syracuse, N.Y.

[*] Notice: The portion of the term of this patent subsequent to Jul. 21, 2006 has been disclaimed.

[**] Term: **14 Years**

[21] Appl. No.: **591,489**

[22] Filed: **Oct. 1, 1990**

[52] U.S. Cl. **D13/154; D13/147**

[58] Field of Search **D13/154; 439/251, 709, 439/711, 721, 723, 860, 862; 174/36, 59, 52.1, 99 B, 149 B; 310/71**

[56] **References Cited**

U.S. PATENT DOCUMENTS

2,683,506	7/1954	Immel et al.	D13/149 X
2,985,817	5/1961	Zeffert	439/718
3,129,396	4/1964	Germain et al.	174/52.1 X
4,924,213	5/1990	Decho et al.	439/709 X

FOREIGN PATENT DOCUMENTS

0518943 3/1955 Italy 174/59

OTHER PUBLICATIONS

Buchanan terminal block on p. 22 of Buchanan Catalog G-105, 1967.

Beau barrier strip 28000 in Vernitron Corporation, Beau Products Division Bulletin 700.

Primary Examiner—Wallace R. Burke

Assistant Examiner—J. Sincavage

[57] **CLAIM**

The ornamental design for a miswire-proof, phase barrier, terminal block, as shown and described.

DESCRIPTION

FIG. 1 is a front and upper left perspective view of a miswire-proof, phase barrier, terminal block showing my new design;

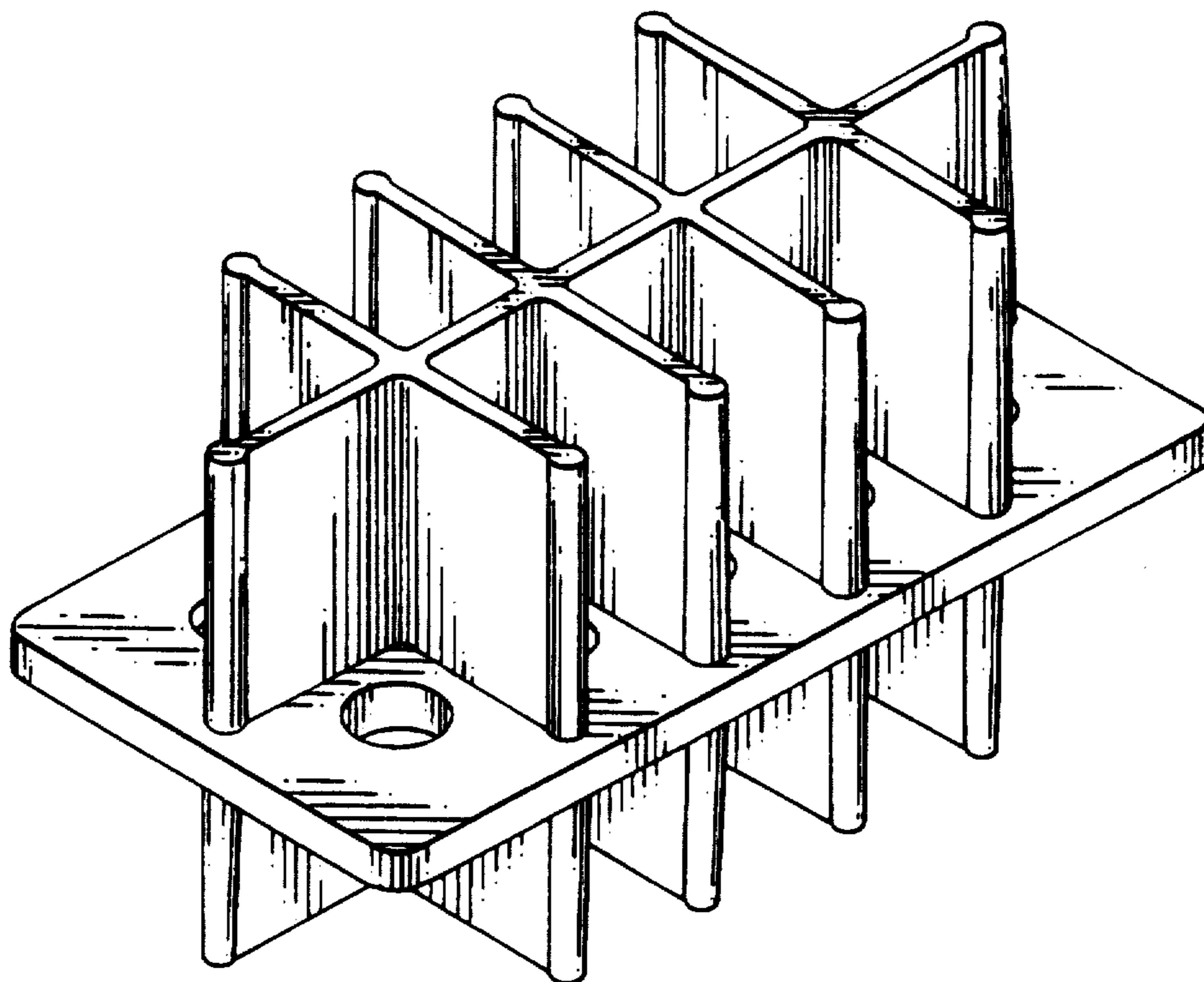
FIG. 2 is a top plan view thereof;

FIG. 3 is a right side elevational view thereof, the left side elevational view thereof being a mirror image;

FIG. 4 is a front elevational view thereof;

FIG. 5 is a bottom plan view thereof; and,

FIG. 6 is a rear elevational view thereof.



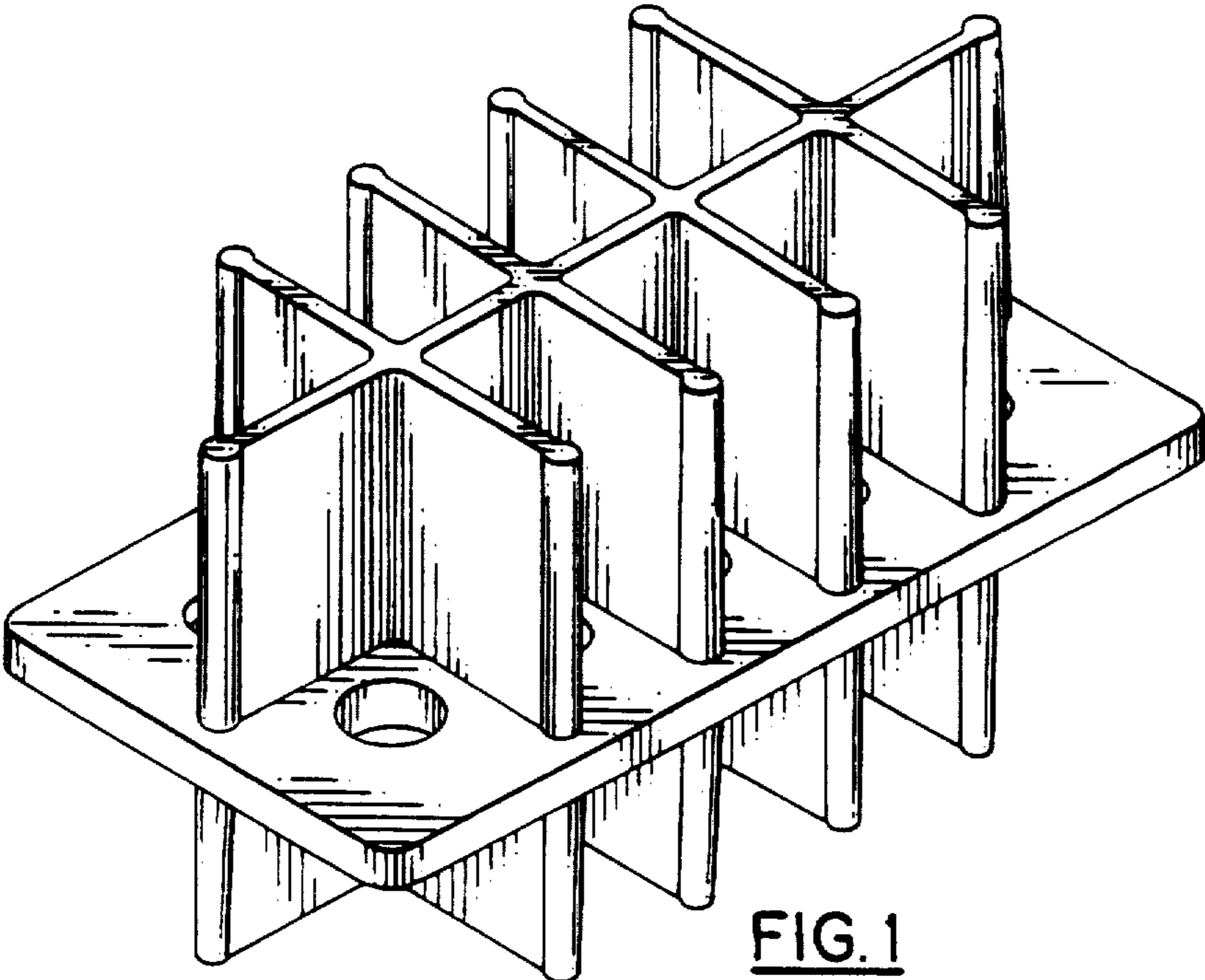


FIG. 1

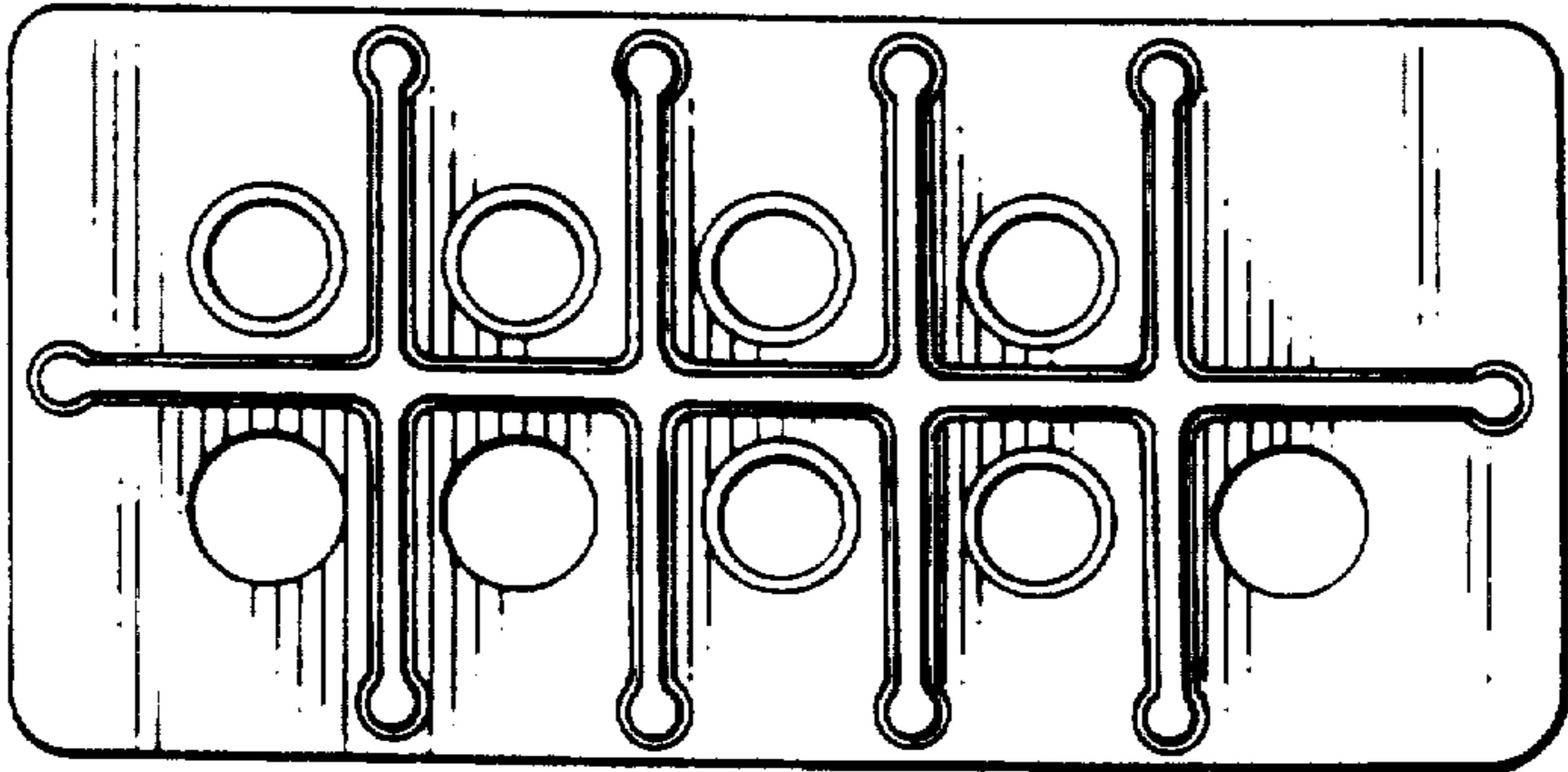


FIG. 2

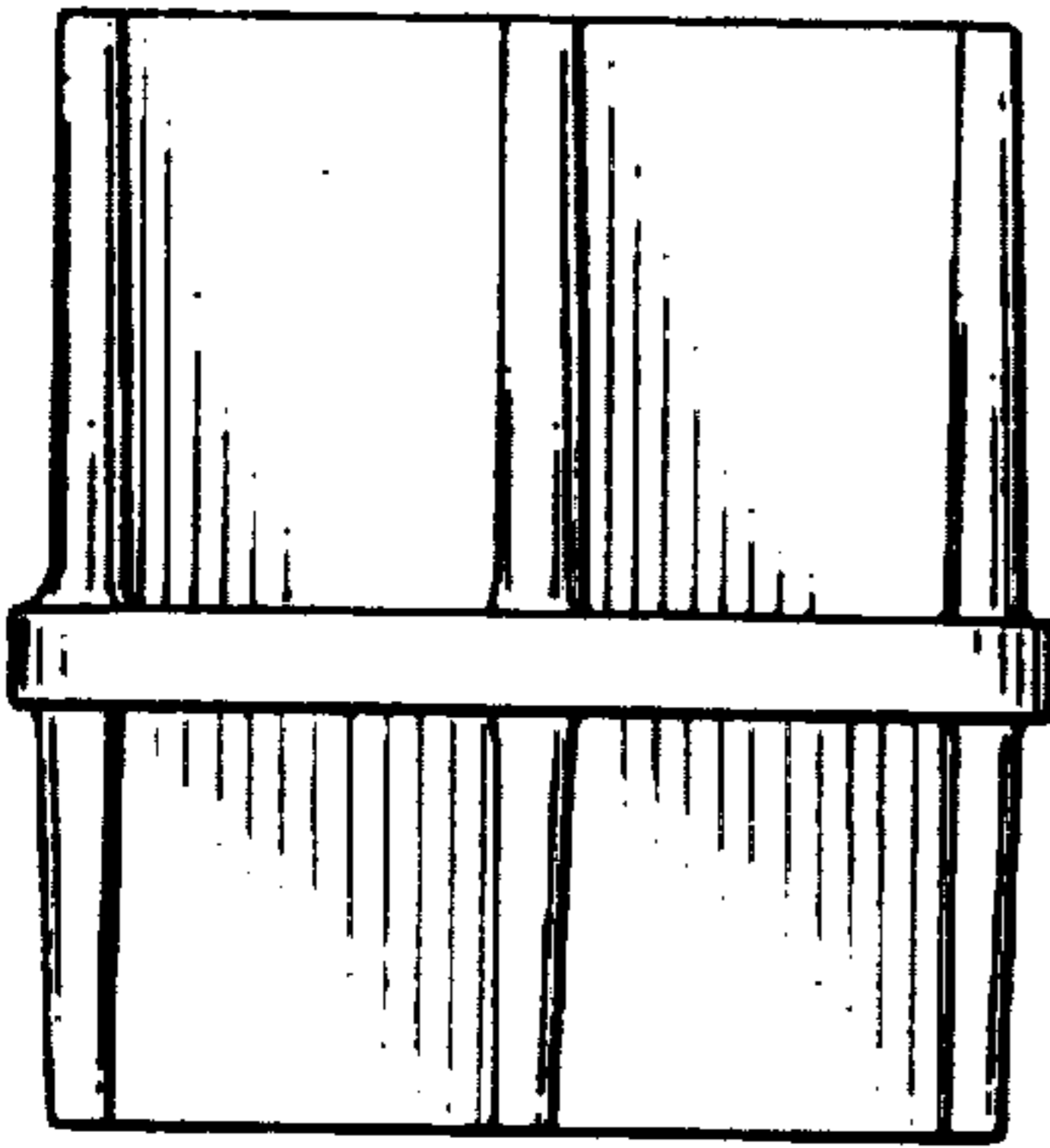


FIG. 3

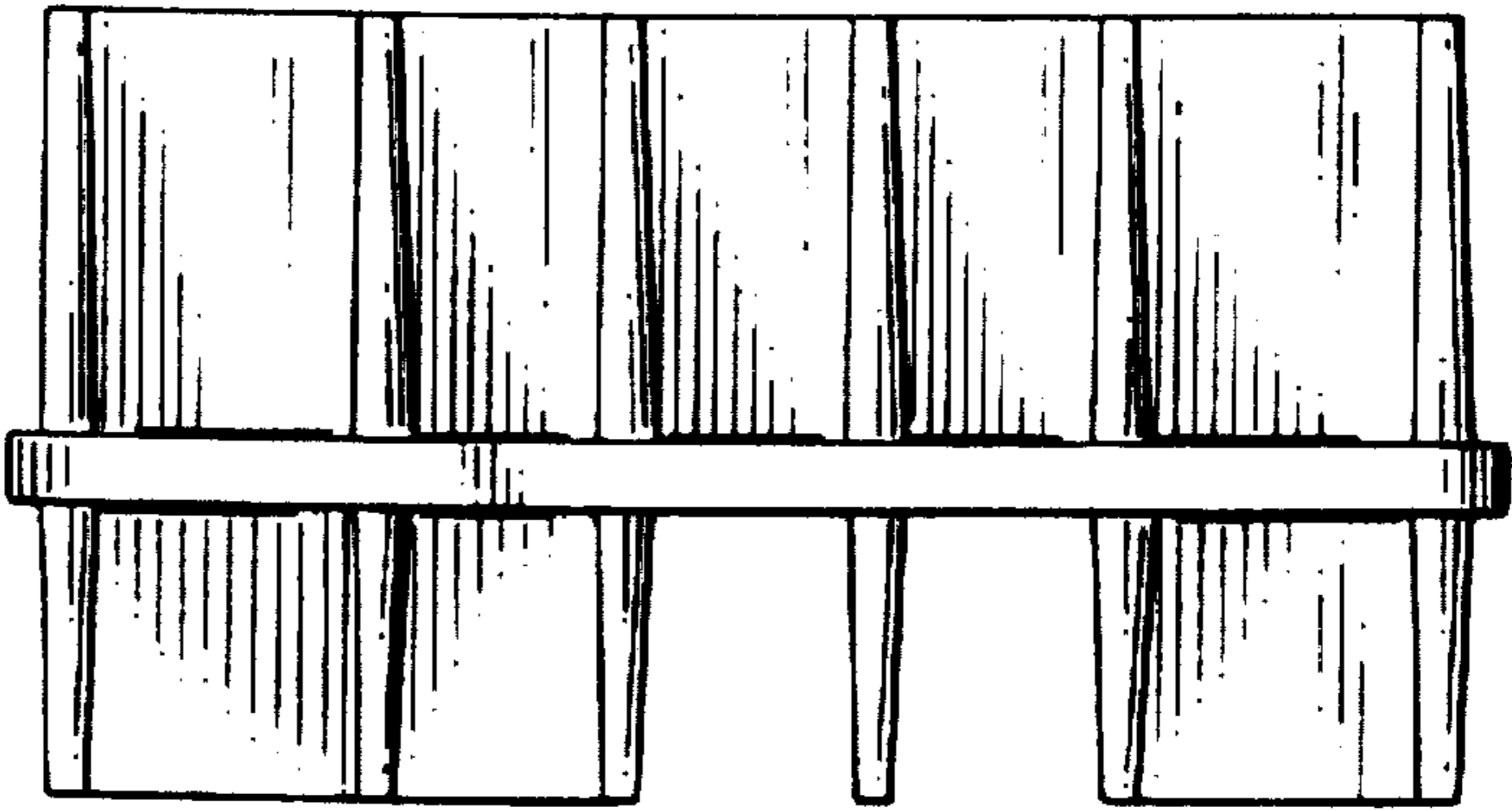


FIG. 4

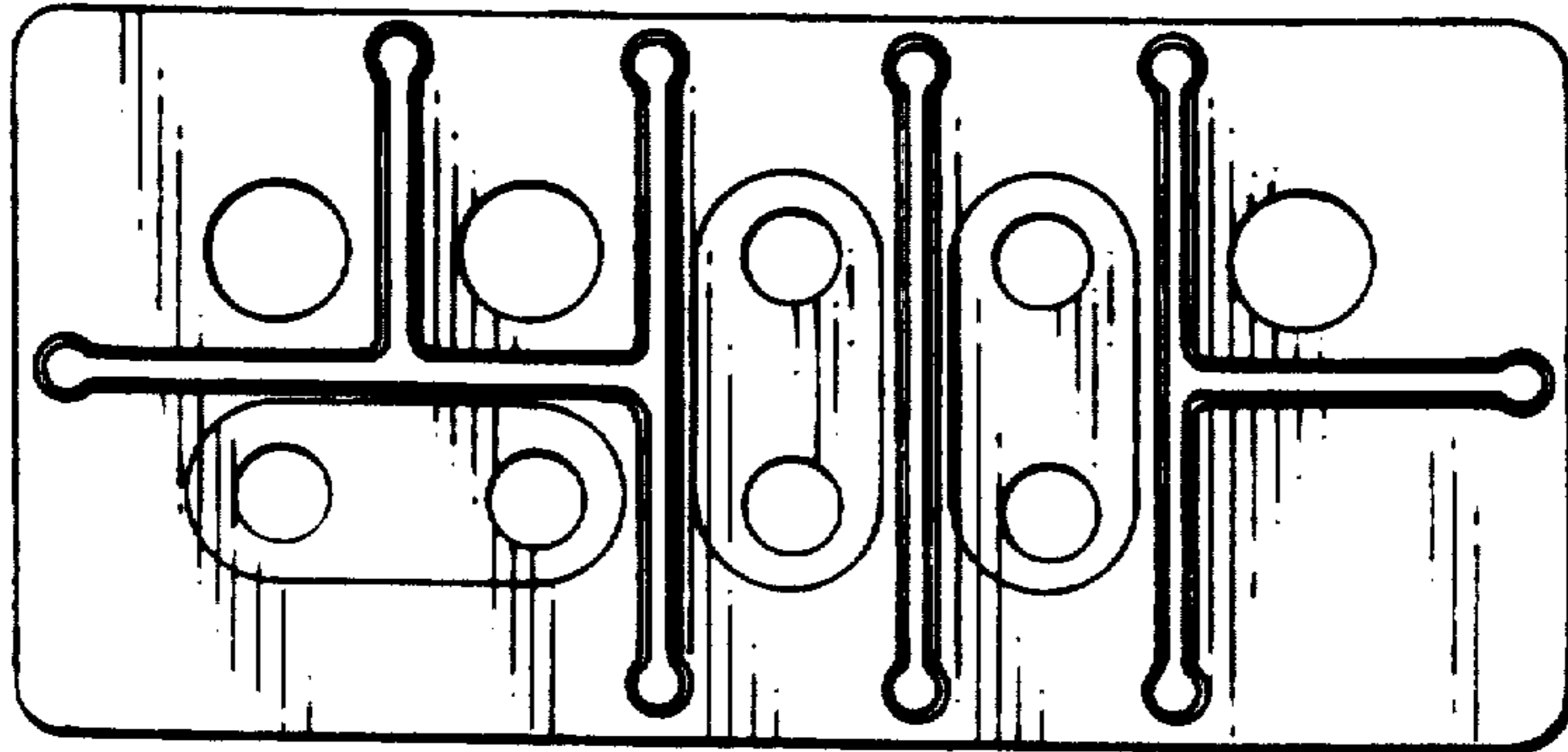


FIG. 5

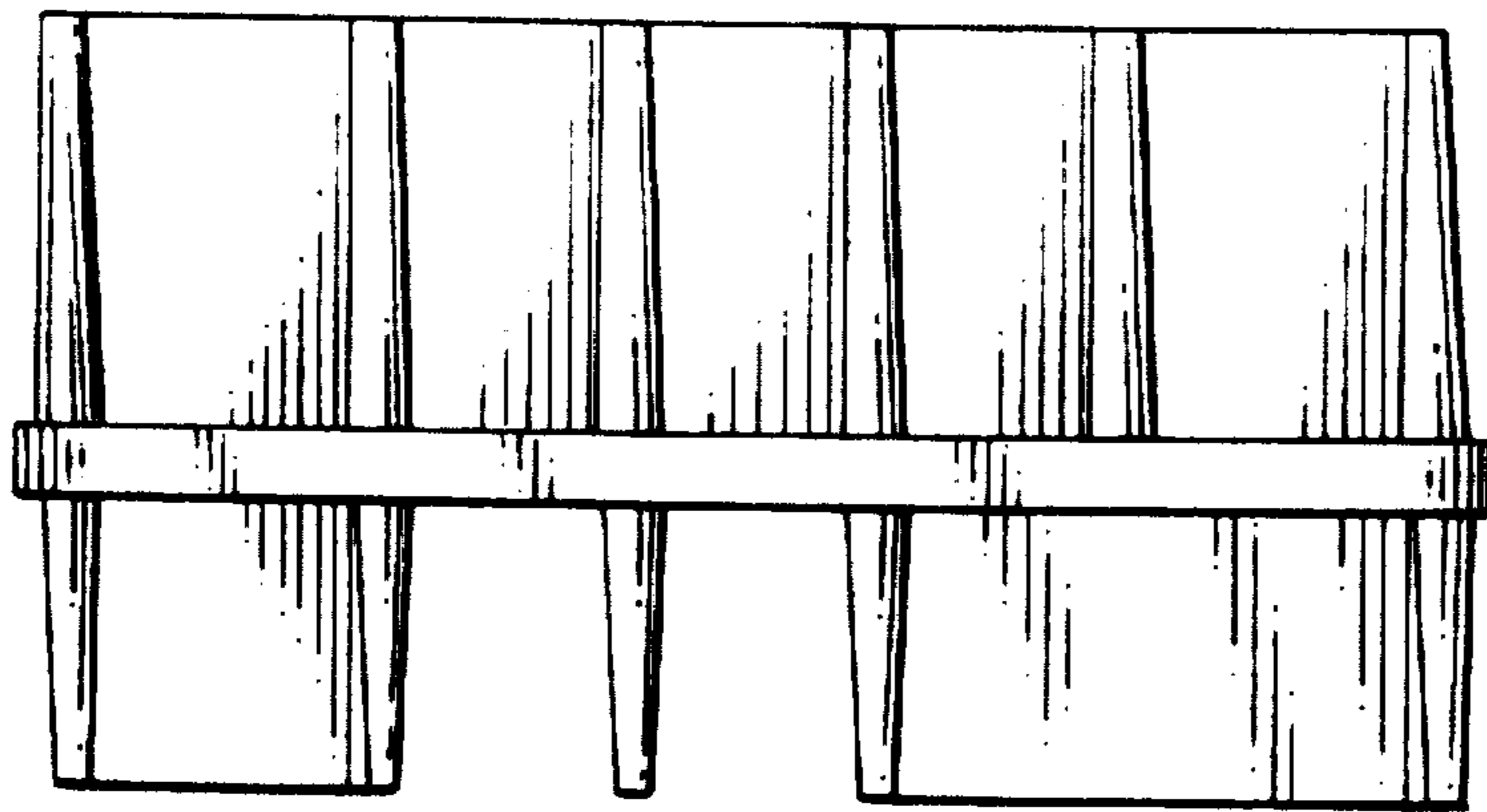


FIG. 6