



US00D328059S

United States Patent [19]

[11] Patent Number: **Des. 328,059**

DeSantis

[45] Date of Patent: **** Jul. 21, 1992**

[54] MISWIRE-PROOF, PHASE BARRIER, TERMINAL BLOCK

[75] Inventor: **John J. DeSantis**, Dewitt, N.Y.

[73] Assignee: **Carrier Corporation**, Syracuse, N.Y.

[**] Term: **14 Years**

[21] Appl. No.: **591,488**

[22] Filed: **Oct. 1, 1990**

[52] U.S. Cl. **D13/154; D13/147**

[58] Field of Search **D13/154; 439/251, 709, 439/711, 721, 723, 860, 862; 174/36, 59, 52.1, 99 B, 149 B; 310/71**

OTHER PUBLICATIONS

Buchanan terminal block on p. 22 of Buchanan Catalog G-105, 1967, Located in examiner's office.

Beau barrier strip 28000 in Vernitron Corporation, Beau Products Division Bulletin 700, Located in examiner's office.

Primary Examiner—Susan J. Lucas

Assistant Examiner—Joel Sincavage

[57] CLAIM

The ornamental design for a miswire-proof, phase barrier, terminal block, as shown and described.

DESCRIPTION

FIG. 1 is a front and upper left perspective view of a miswire-proof phase barrier terminal block showing my new design;

FIG. 2 is a top plan view thereof;

FIG. 3 is a left end elevational view thereof;

FIG. 4 is a front elevational view thereof;

FIG. 5 is a right end elevational view thereof;

FIG. 6 is a rear elevational view thereof; and,

FIG. 7 is a bottom plan view thereof.

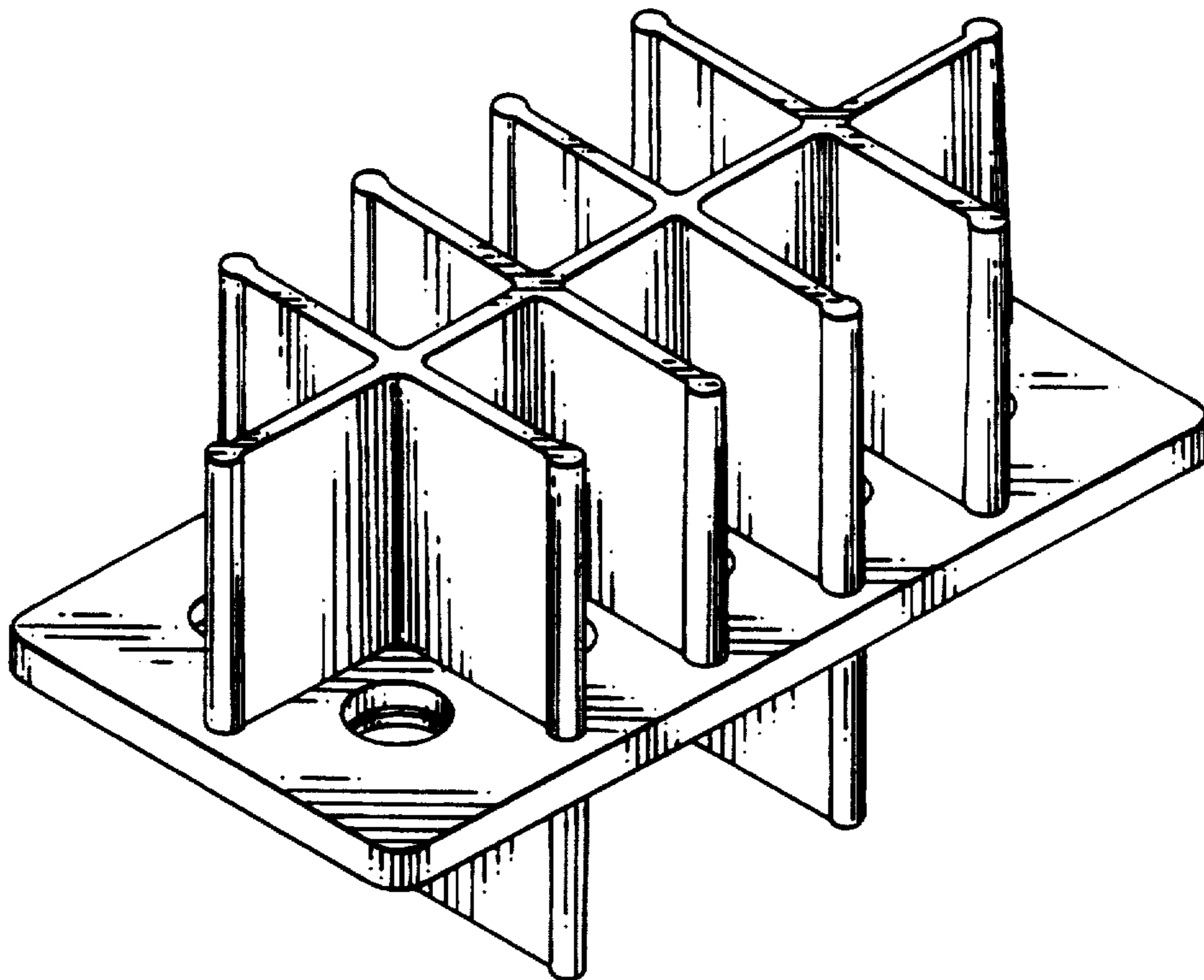
[56] References Cited

U.S. PATENT DOCUMENTS

2,683,506	7/1954	Immel et al.	D13/149 X
2,985,817	5/1961	Zeffert	439/718
3,129,396	4/1964	Germain et al.	174/52.1 X
4,924,213	5/1990	Decho et al.	439/709 X

FOREIGN PATENT DOCUMENTS

0518943	3/1955	Italy	174/59
---------	--------	-------------	--------



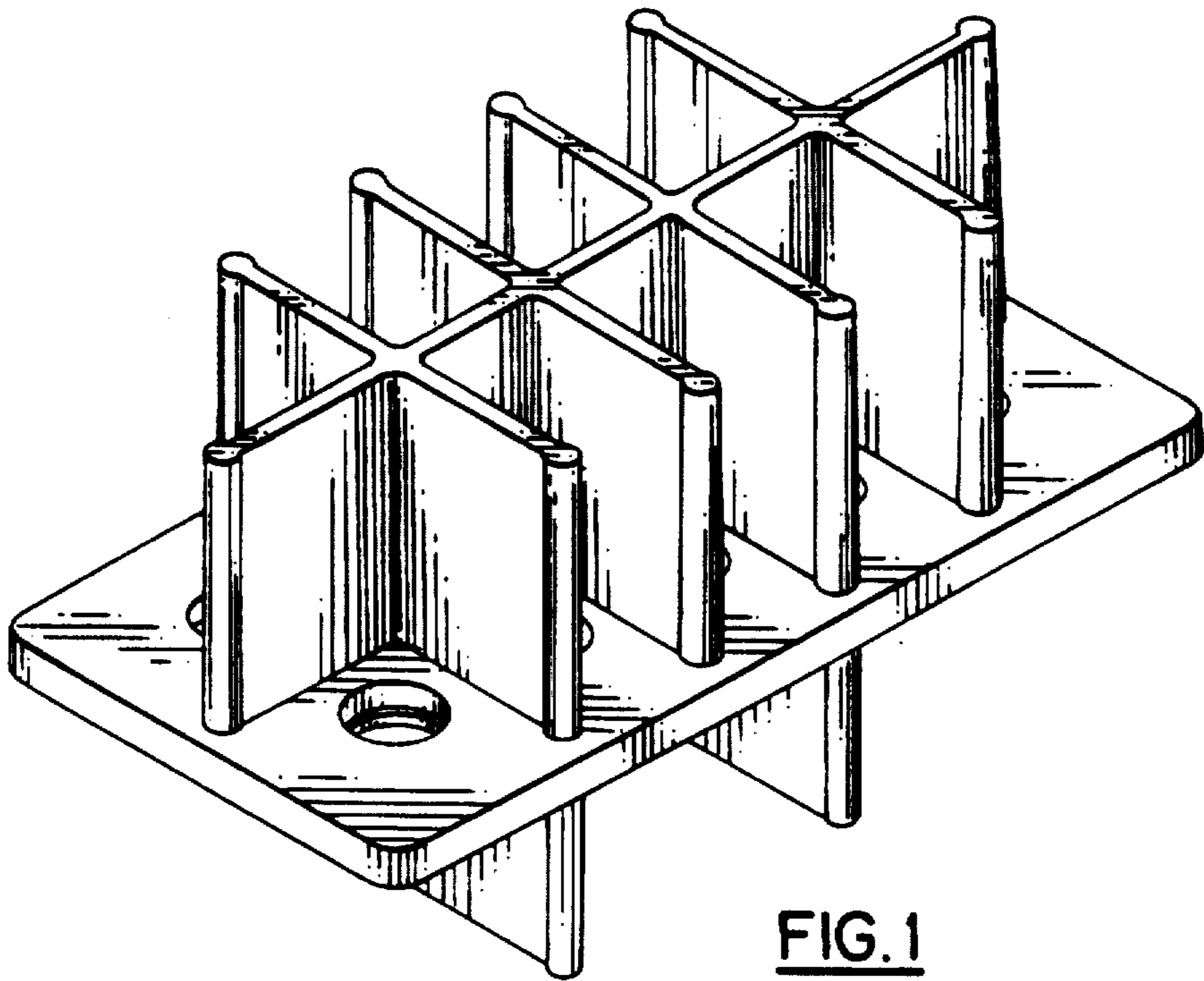


FIG. 1

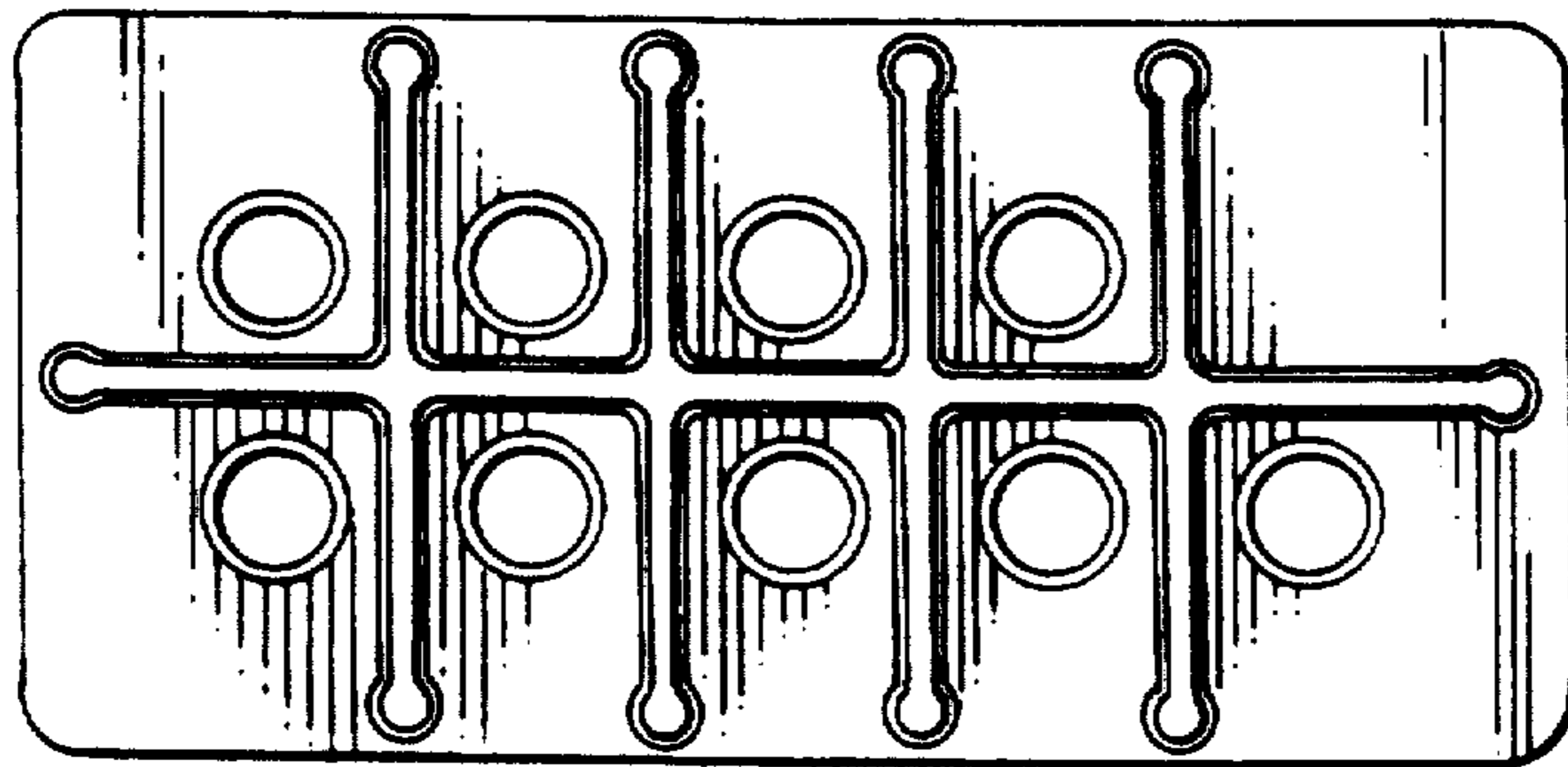


FIG. 2

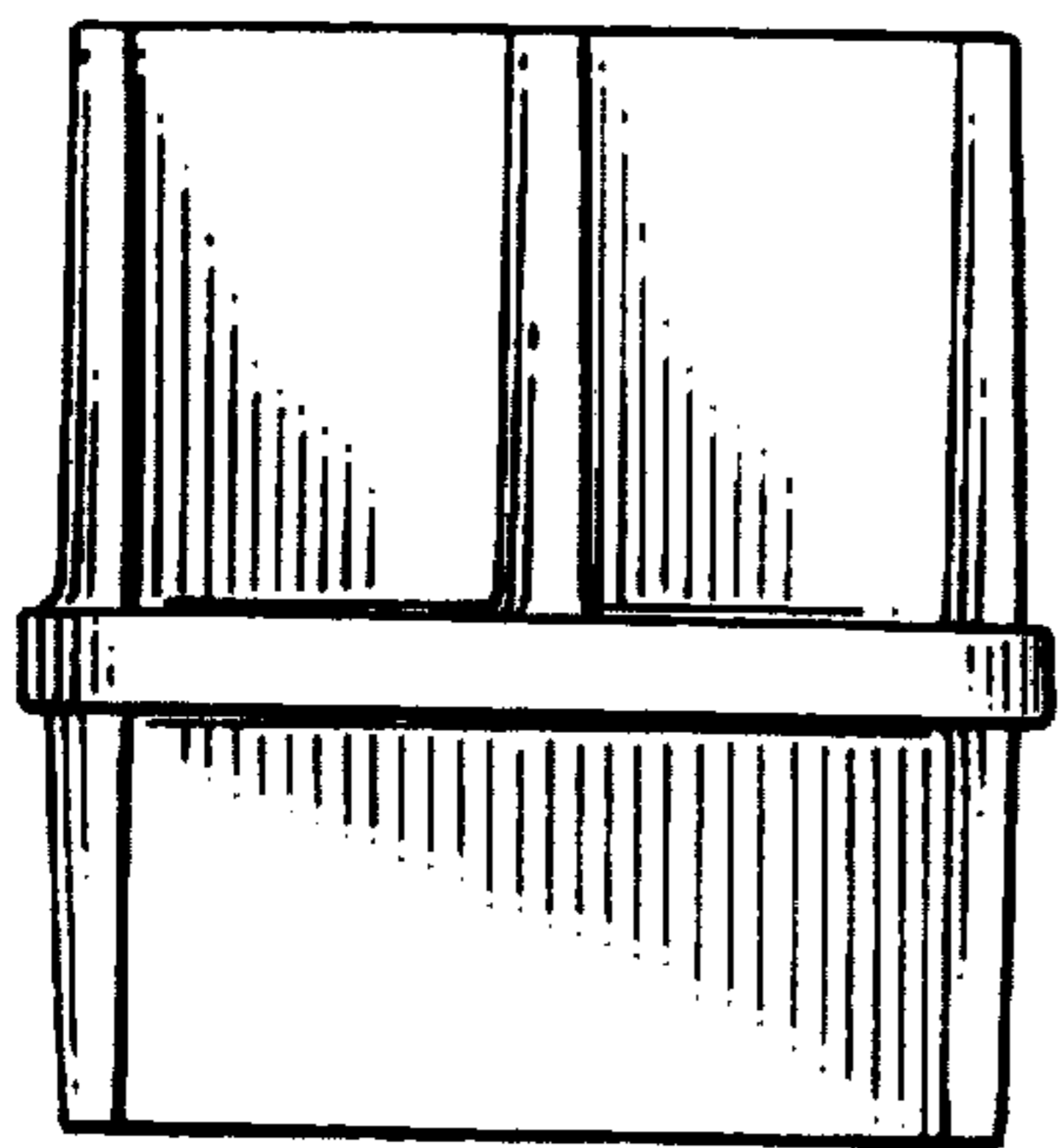


FIG. 3

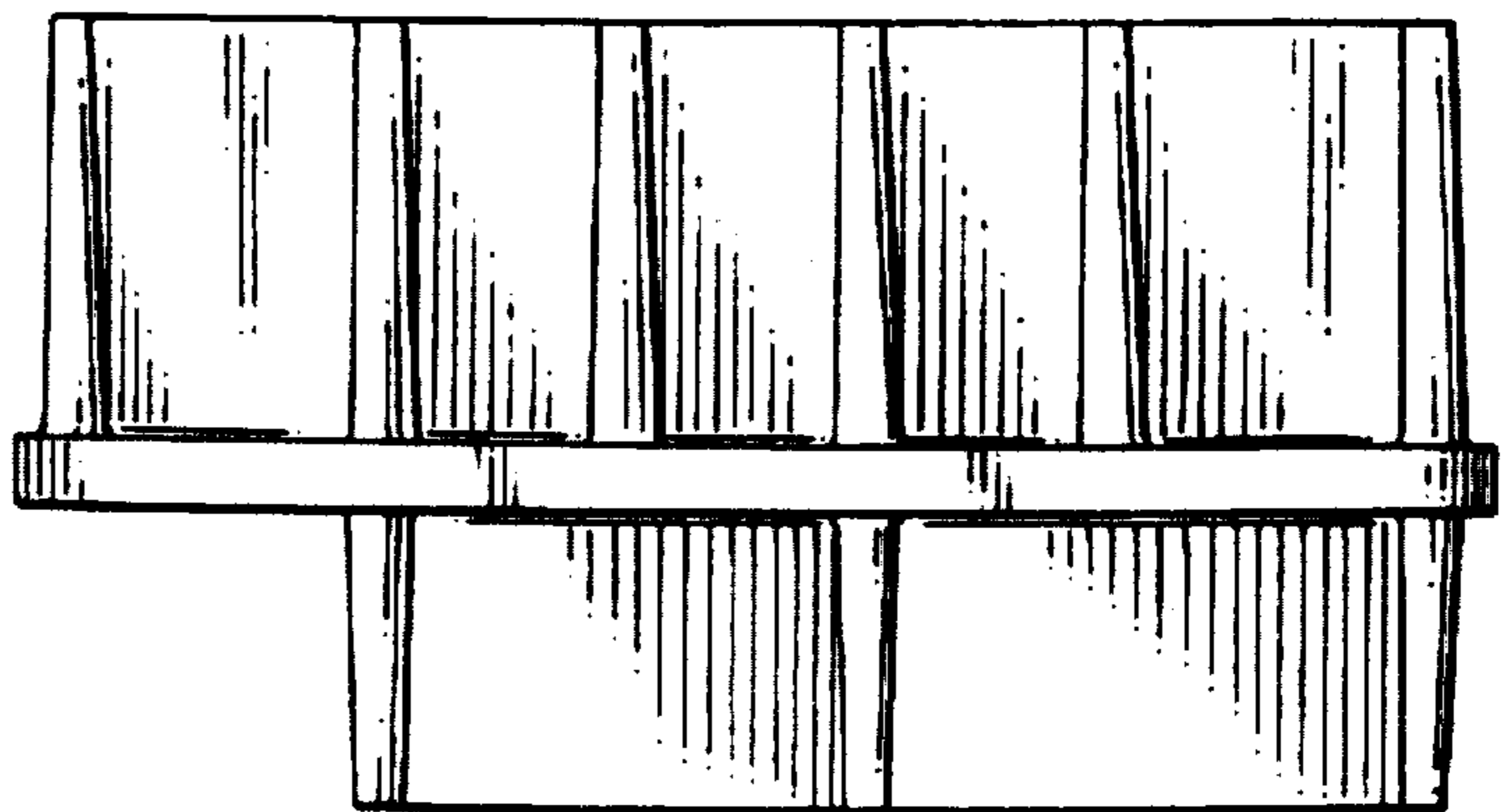


FIG. 4

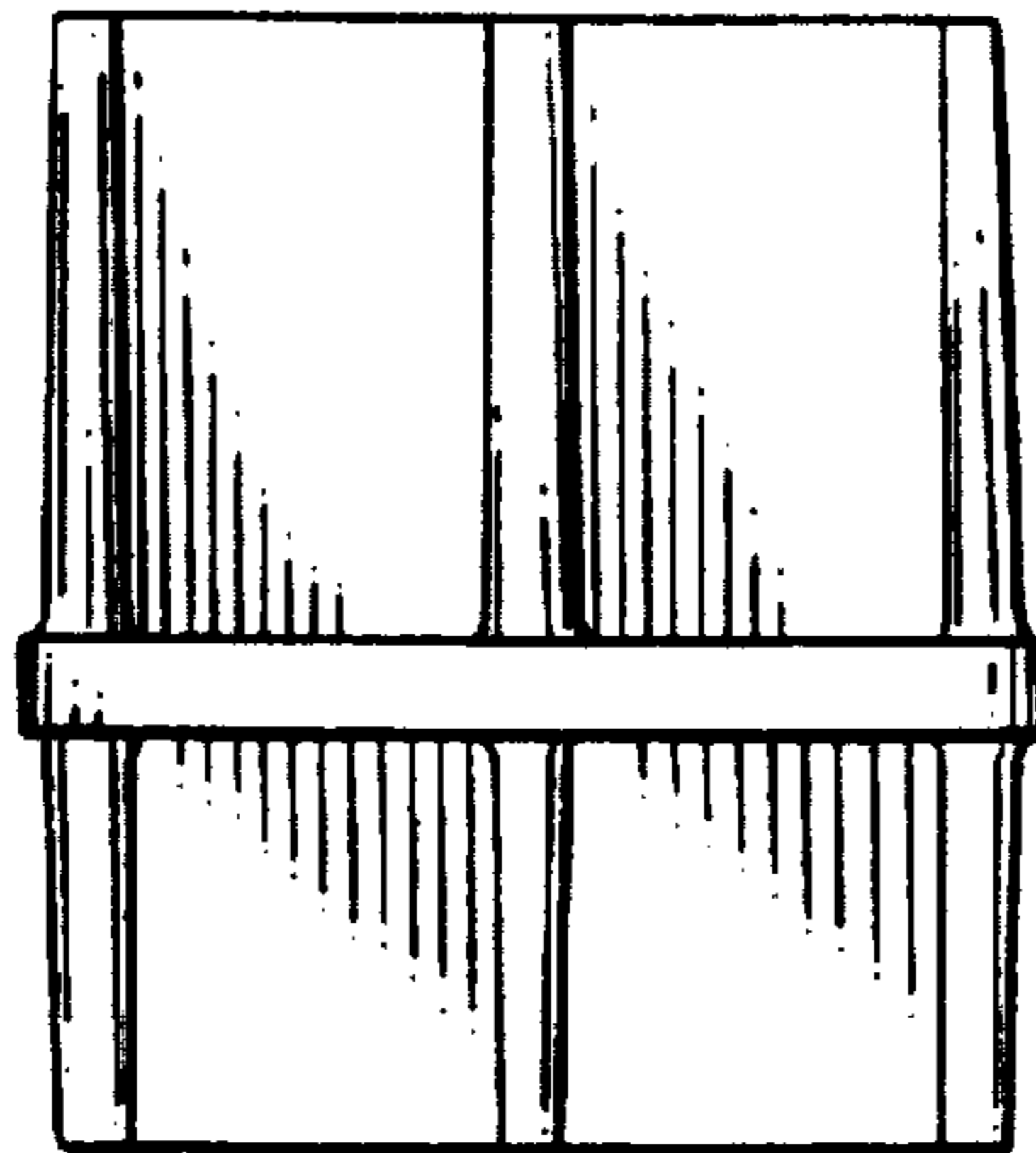


FIG. 5

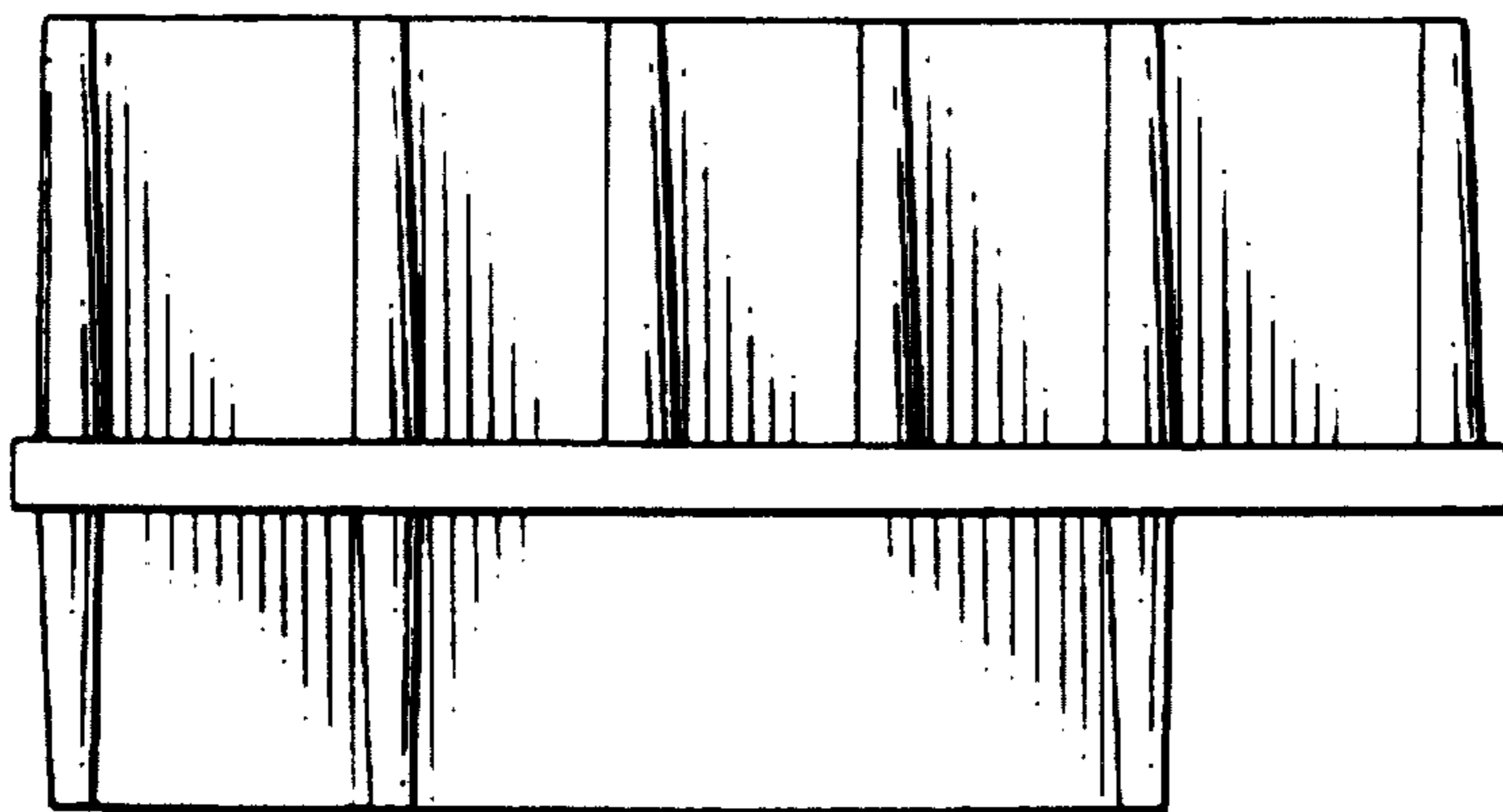


FIG. 6

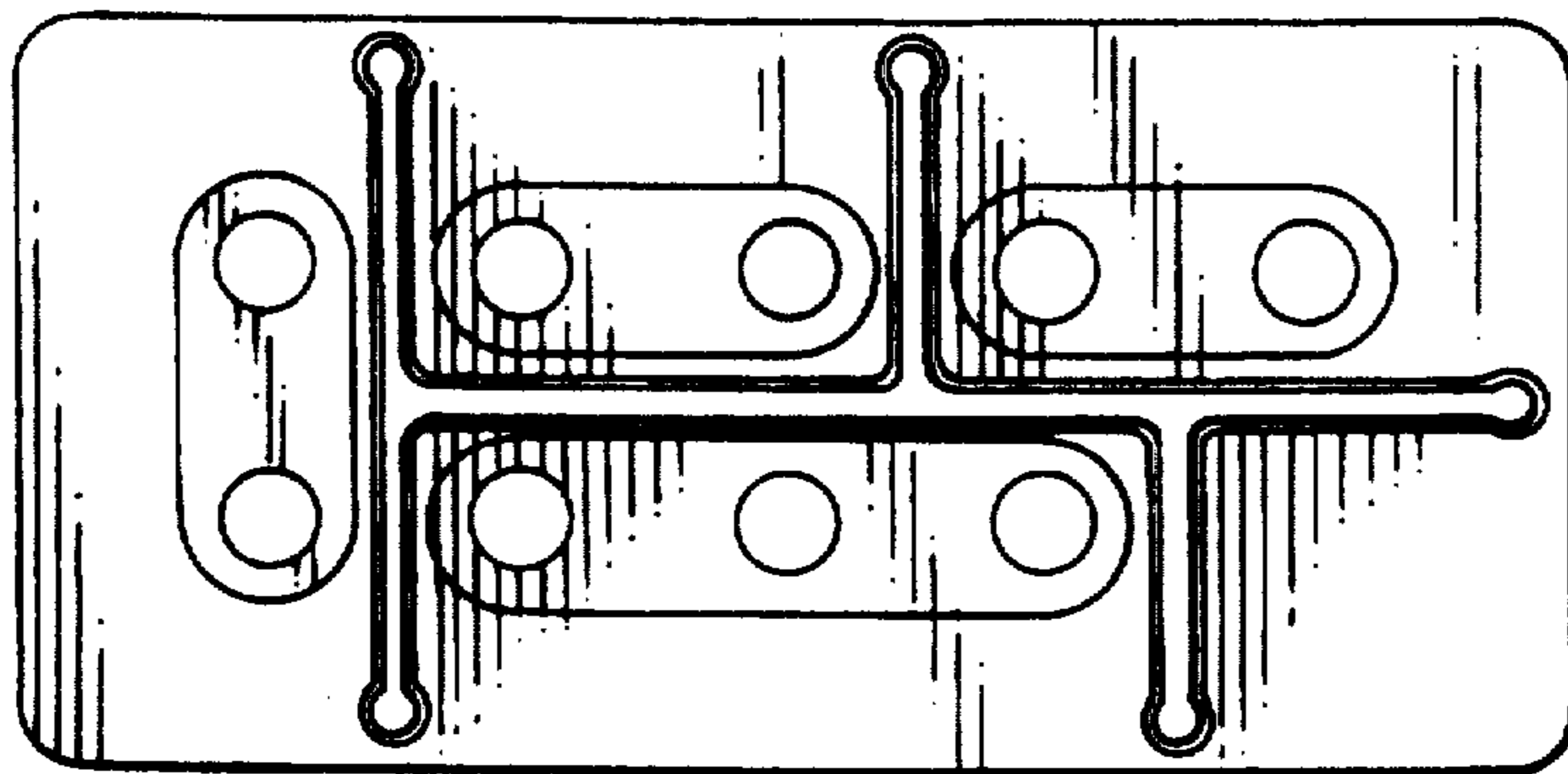


FIG. 7