



US00D328048S

United States Patent [19]

Markling

[11] Patent Number: **Des. 328,048**

[45] Date of Patent: **** Jul. 21, 1992**

[54] MOLDED WHEEL

[75] Inventor: **Tracy A. Markling**, Delavan, Wis.

[73] Assignee: **Poly-Flex, Inc.**, Walworth, Wis.

[**] Term: **14 Years**

[21] Appl. No.: **426,723**

[22] Filed: **Oct. 26, 1989**

[52] U.S. Cl. **D12/135; D12/204**

[58] Field of Search **D12/135, 204, 209, 211, D12/212; 301/63 R, 63 PW, 64 R, 645 D, 65**

[56]

References Cited

U.S. PATENT DOCUMENTS

D. 221,424	8/1971	Golden	D12/135
3,604,756	9/1971	Gruber	301/63 R

Primary Examiner—James M. Gandy
Attorney, Agent, or Firm—D. L. Tschida

[57]

CLAIM

The ornamental design for a molded wheel, as shown.

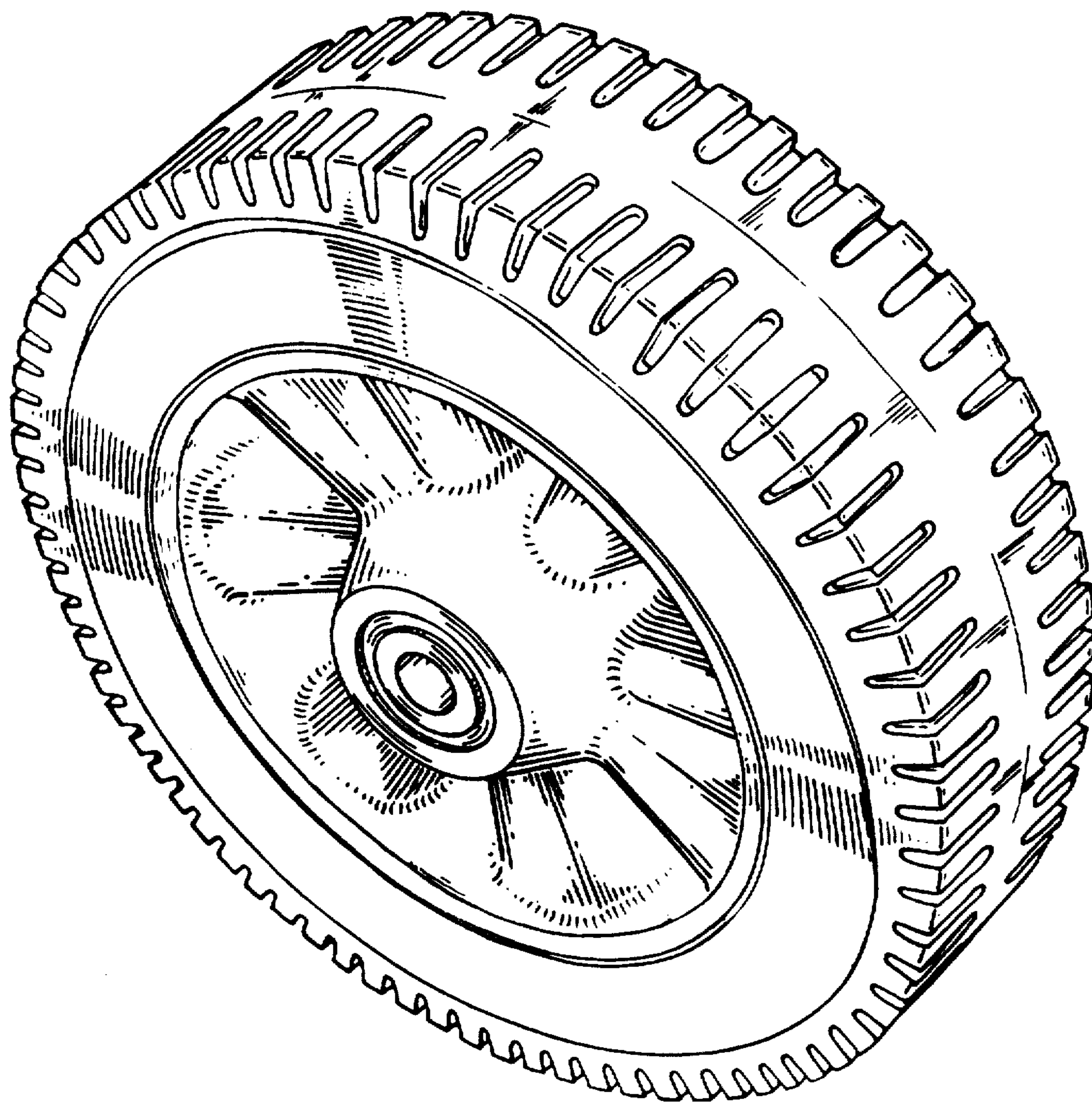
DESCRIPTION

FIG. 1 is a perspective view of a molded wheel showing my new design;

FIG. 2 is a front elevation view thereof;

FIG. 3 is a side elevation view thereof shown partially in section as taken along line 3—3 in FIG. 2; and,

FIG. 4 is a rear elevation view thereof.



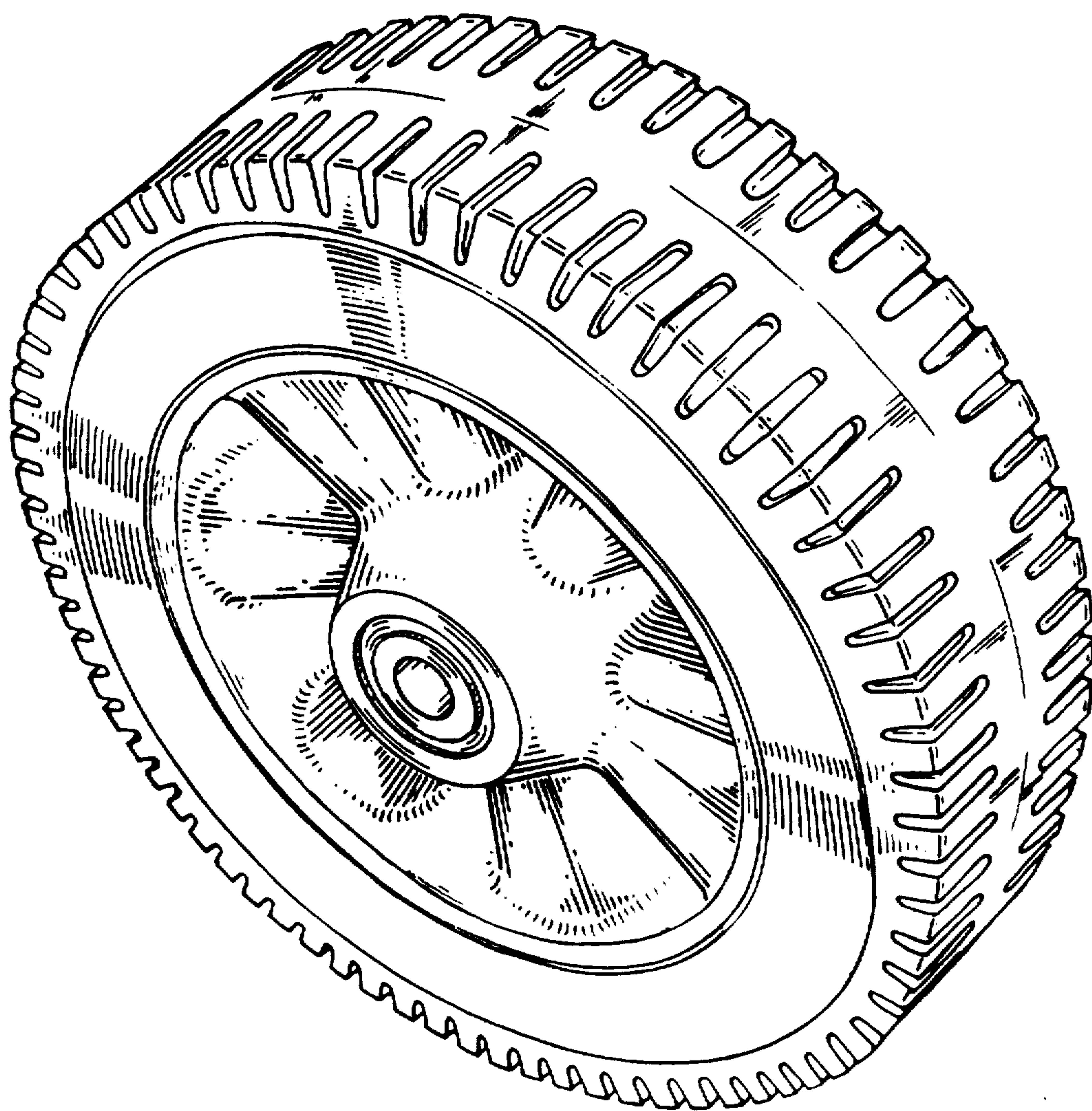


FIG. 1

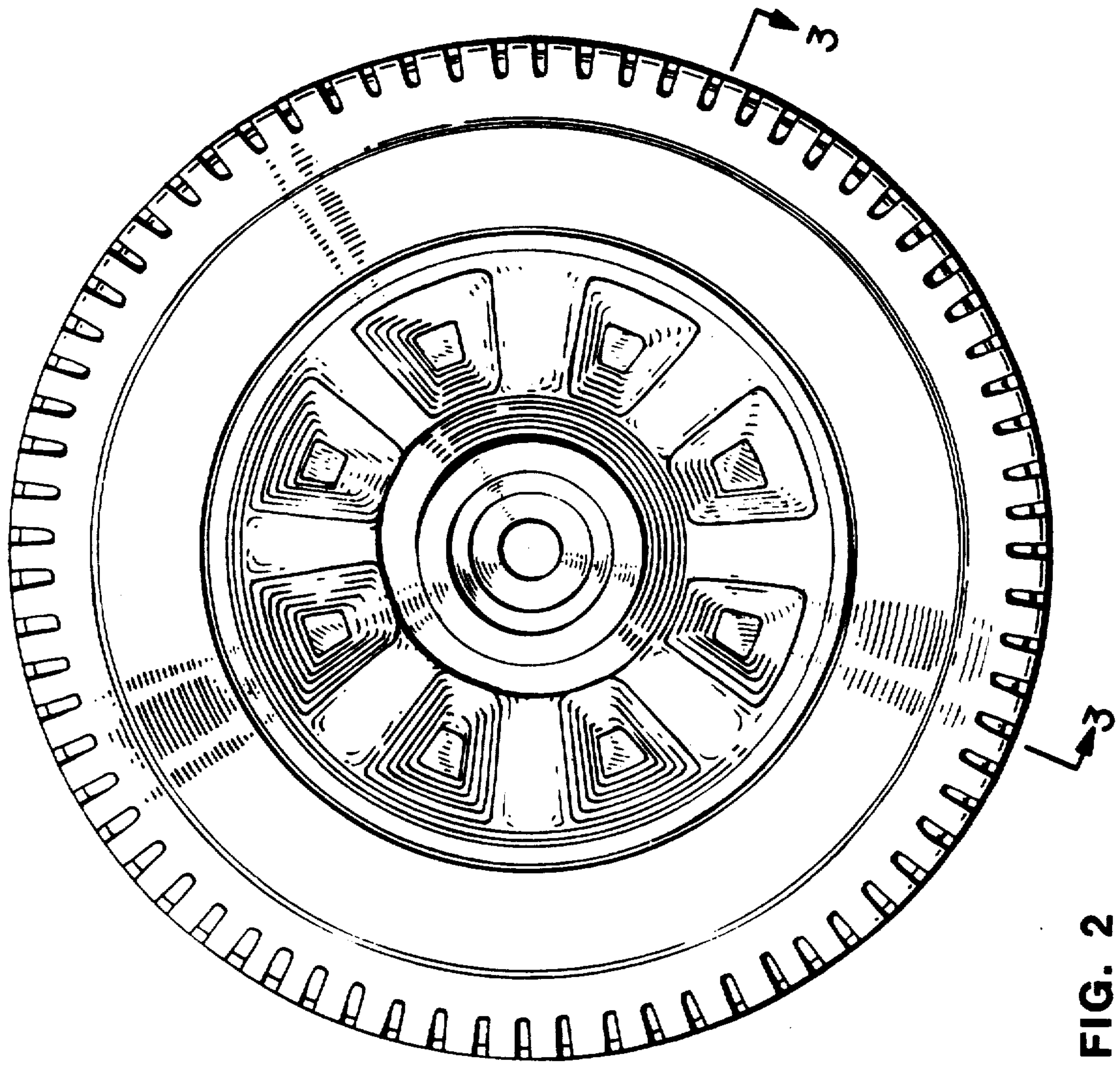


FIG. 2

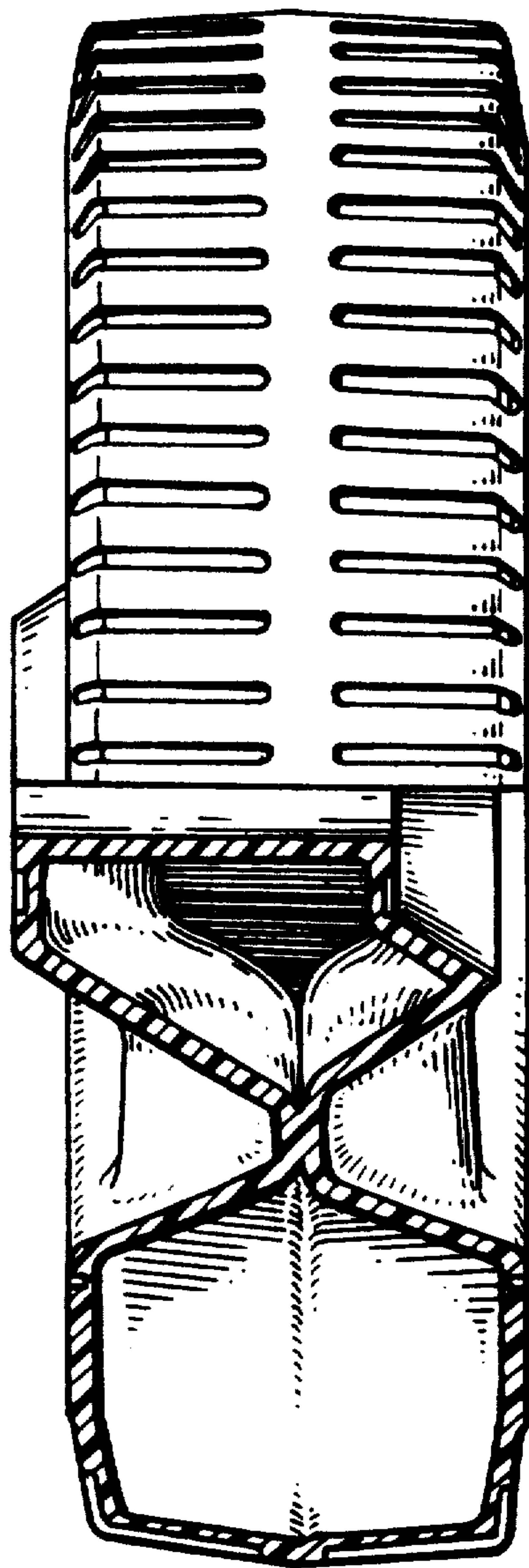


FIG. 3

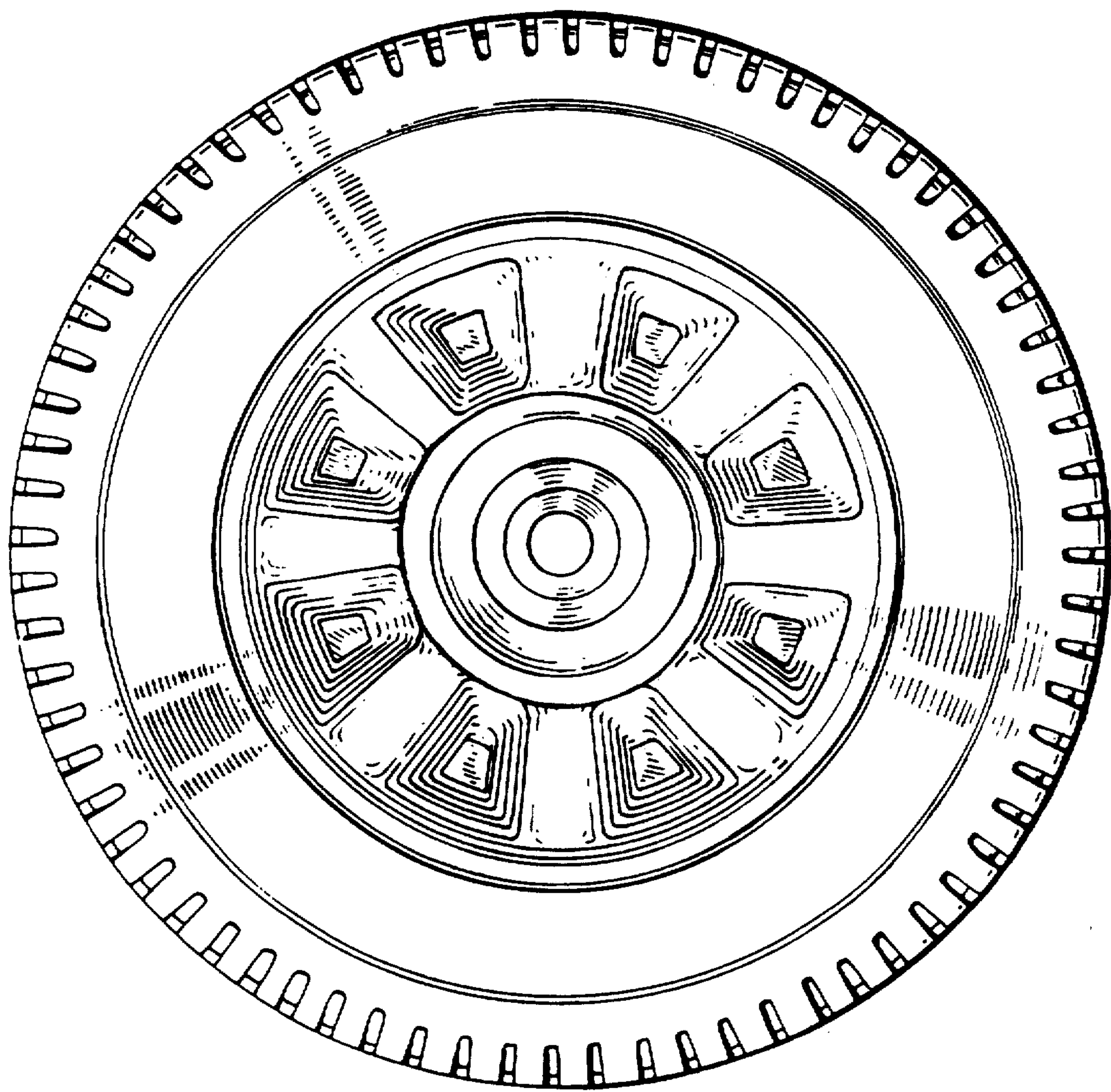


FIG. 4