



US00D328047S

United States Patent [19]
Huang

[11] **Patent Number: Des. 328,047**
[45] **Date of Patent: ** Jul. 21, 1992**

[54] **TANDEM STROLLER**

4,858,947 8/1989 Yee et al. 280/643

[76] **Inventor: Mien-Cheng Huang, No. 123-2,
Teitou Village, Kwan-Aiao Town,
Tainan, Taiwan**

Primary Examiner—Kay H. Chin
Attorney, Agent, or Firm—Morton J. Rosenberg; David
I. Klein

[**] **Term: 14 Years**

[57] **CLAIM**

[21] **Appl. No.: 470,522**

The ornamental design for a tandem stroller, as shown
and described.

[22] **Filed: Jan. 25, 1990**

DESCRIPTION

[52] **U.S. Cl. D12/129; D12/128**

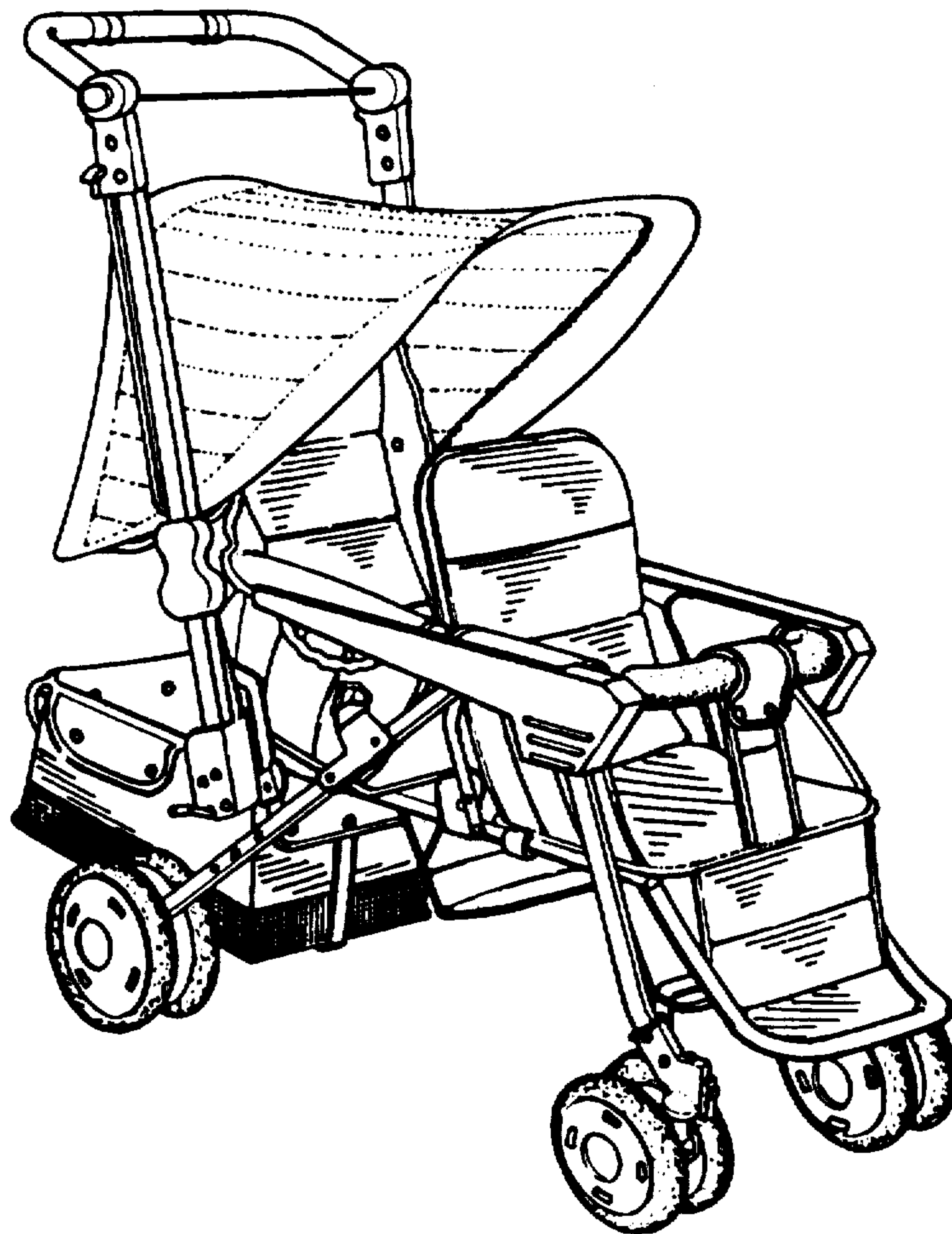
[58] **Field of Search D12/129, 128; 280/650,
280/658, 647, 642, 643, 644; 297/45, 39**

FIG. 1 is a top, front and left side perspective view of a
tandem stroller showing my new design;
FIG. 2 is a front elevational view thereof;
FIG. 3 is a rear elevational view thereof;
FIG. 4 is a left side elevational view thereof;
FIG. 5 is a right side elevational view thereof;
FIG. 6 is a top plan view thereof;
FIG. 7 is a bottom plan view thereof; and
FIG. 8 is a front perspective view thereof with the
handle pivoted from a rear to a front position.

[56] **References Cited**

U.S. PATENT DOCUMENTS

D. 296,540	7/1988	Perego	D12/129
D. 298,925	12/1988	Nakao et al.	D12/129
D. 305,316	1/1990	Lin	D12/129
D. 311,363	10/1990	Lin	D12/129



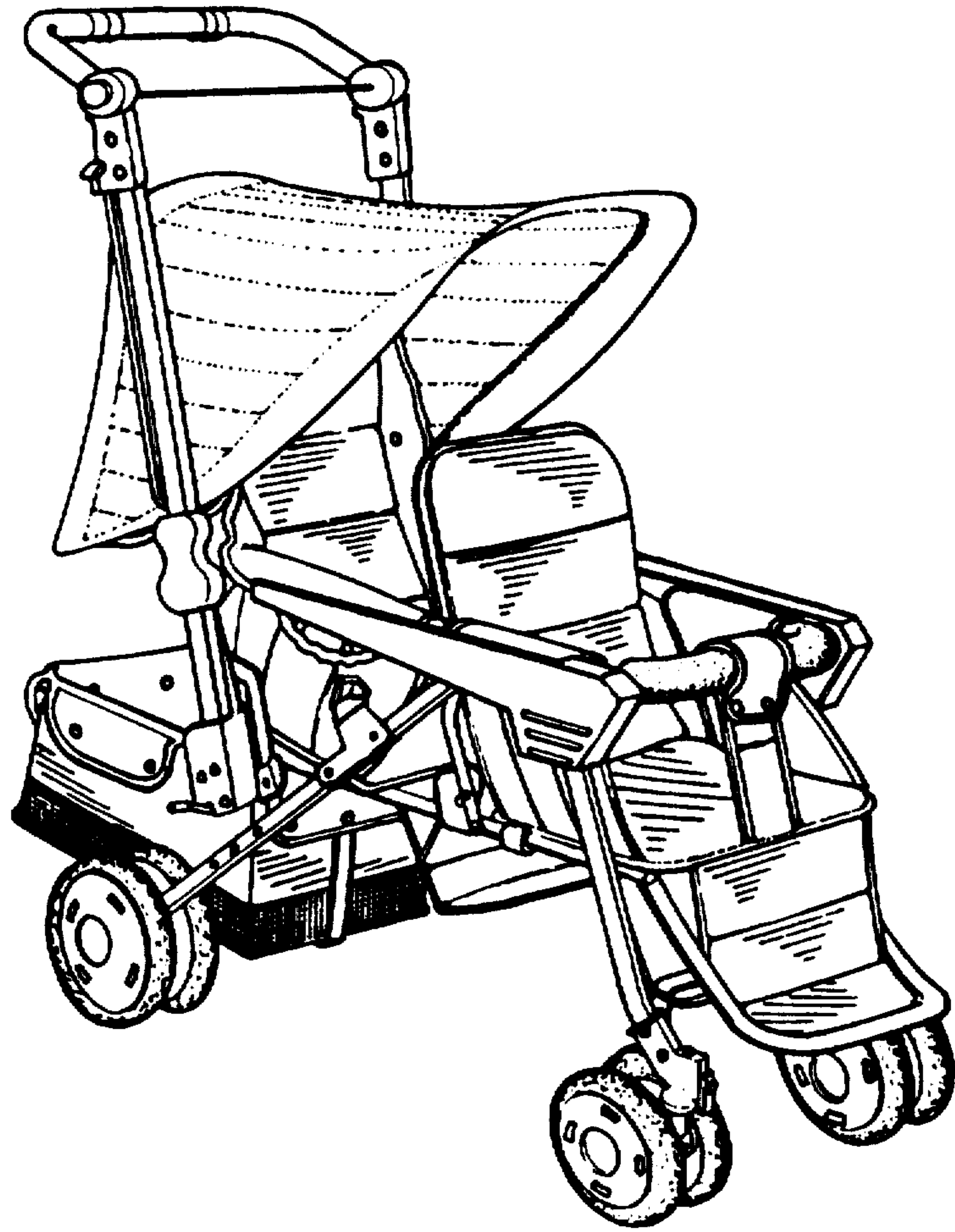


Fig. 1

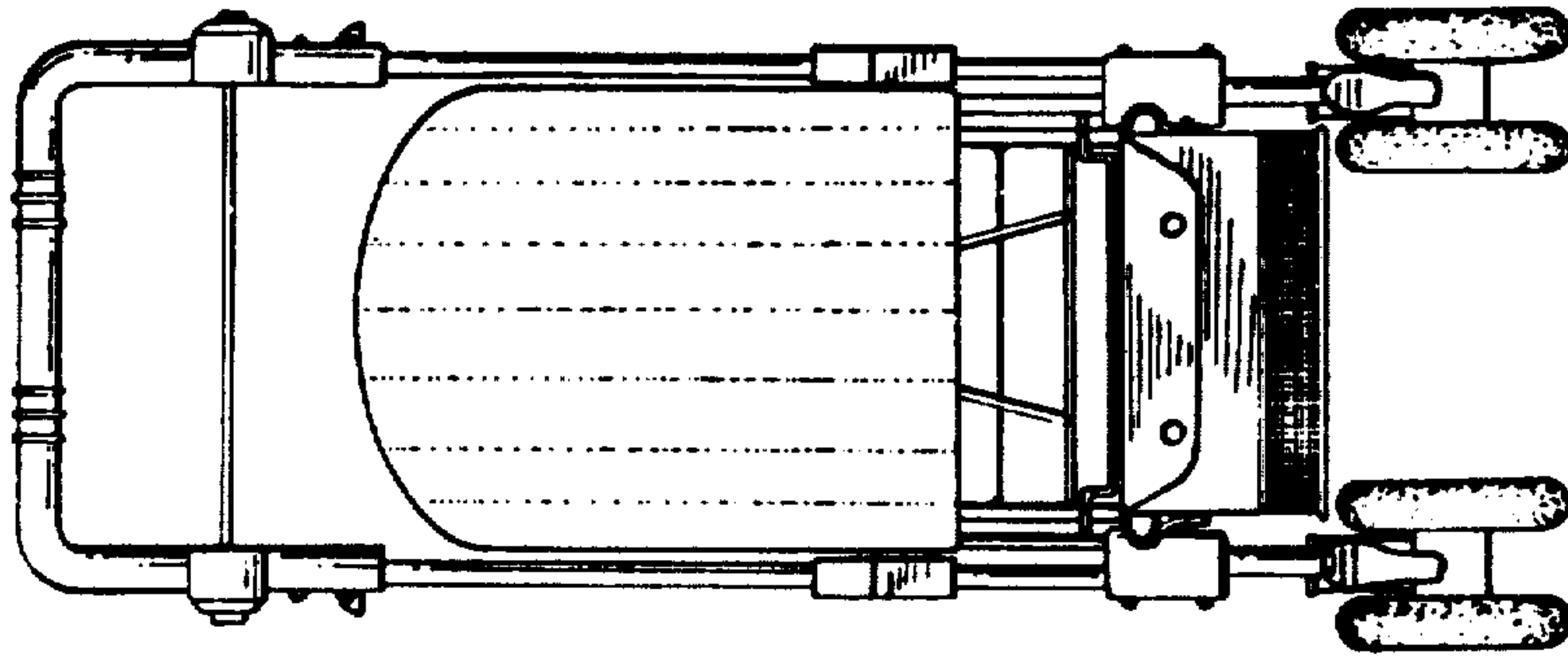


Fig. 3

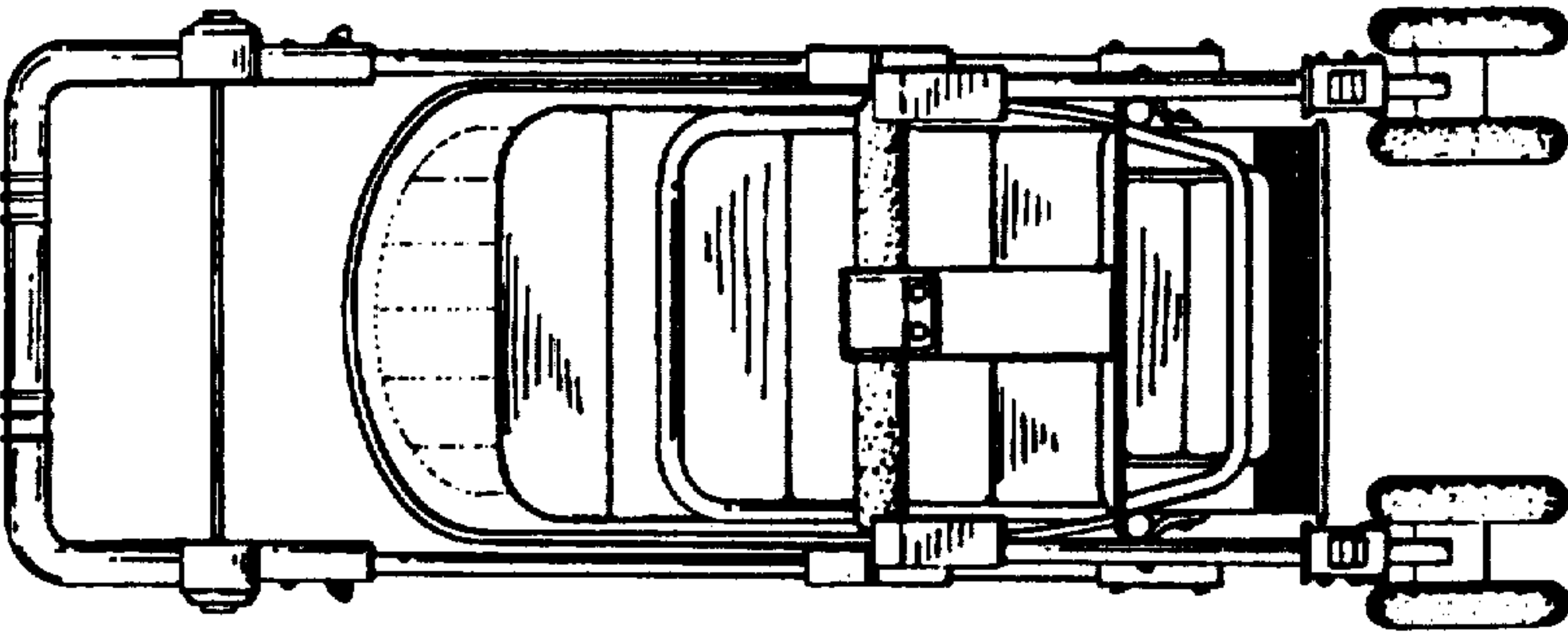


Fig. 2

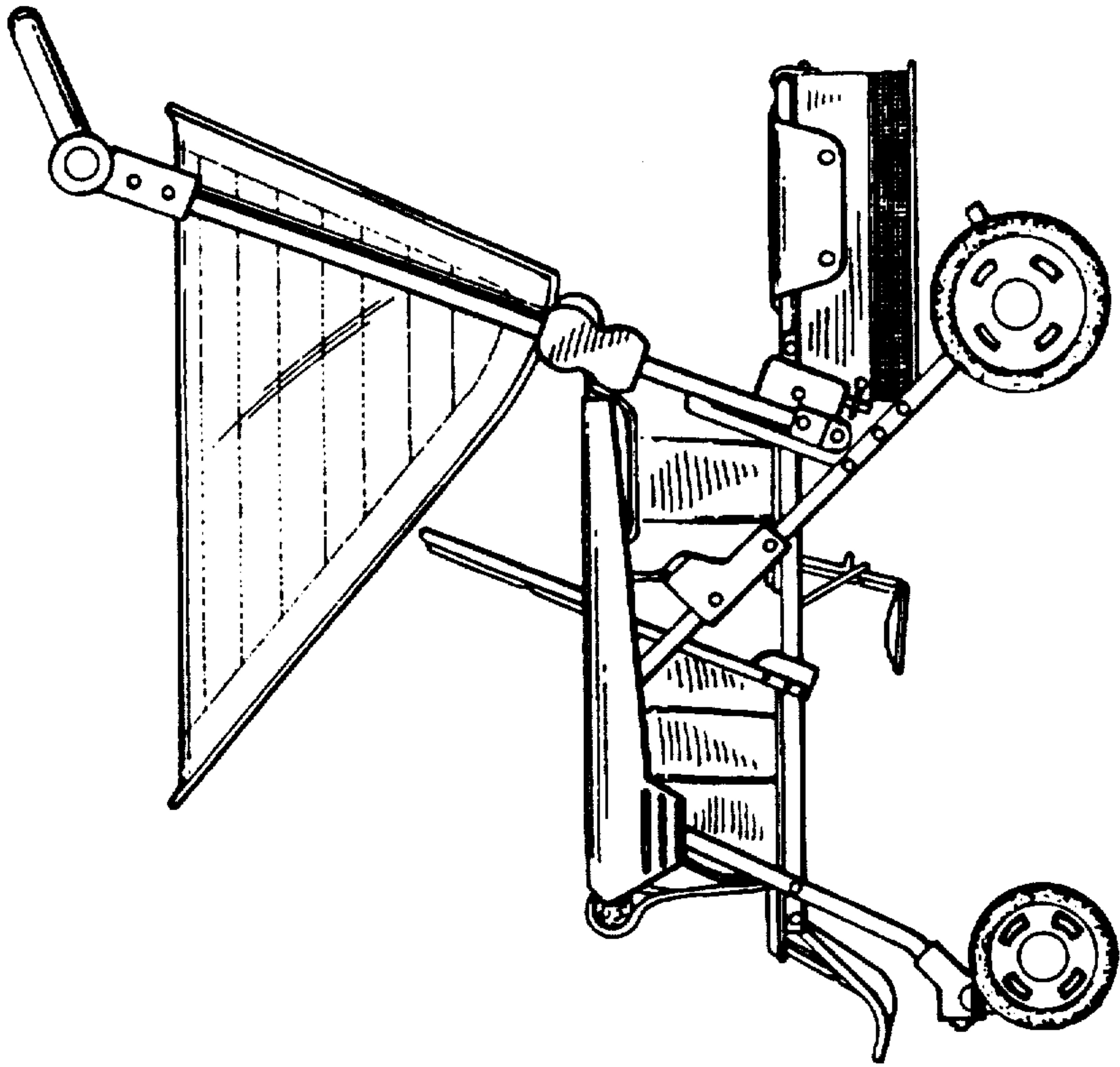


Fig. 5

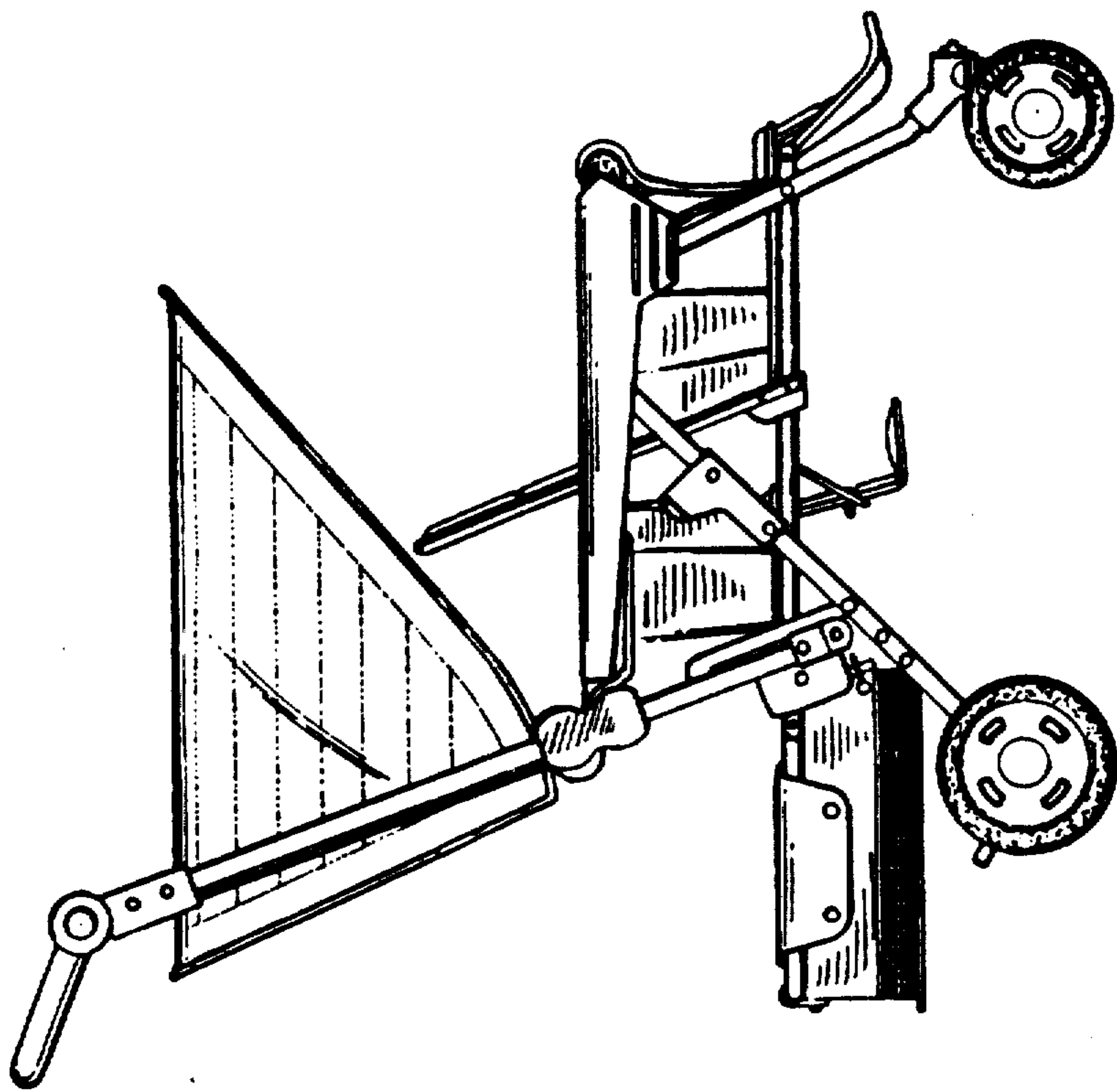


Fig. 4

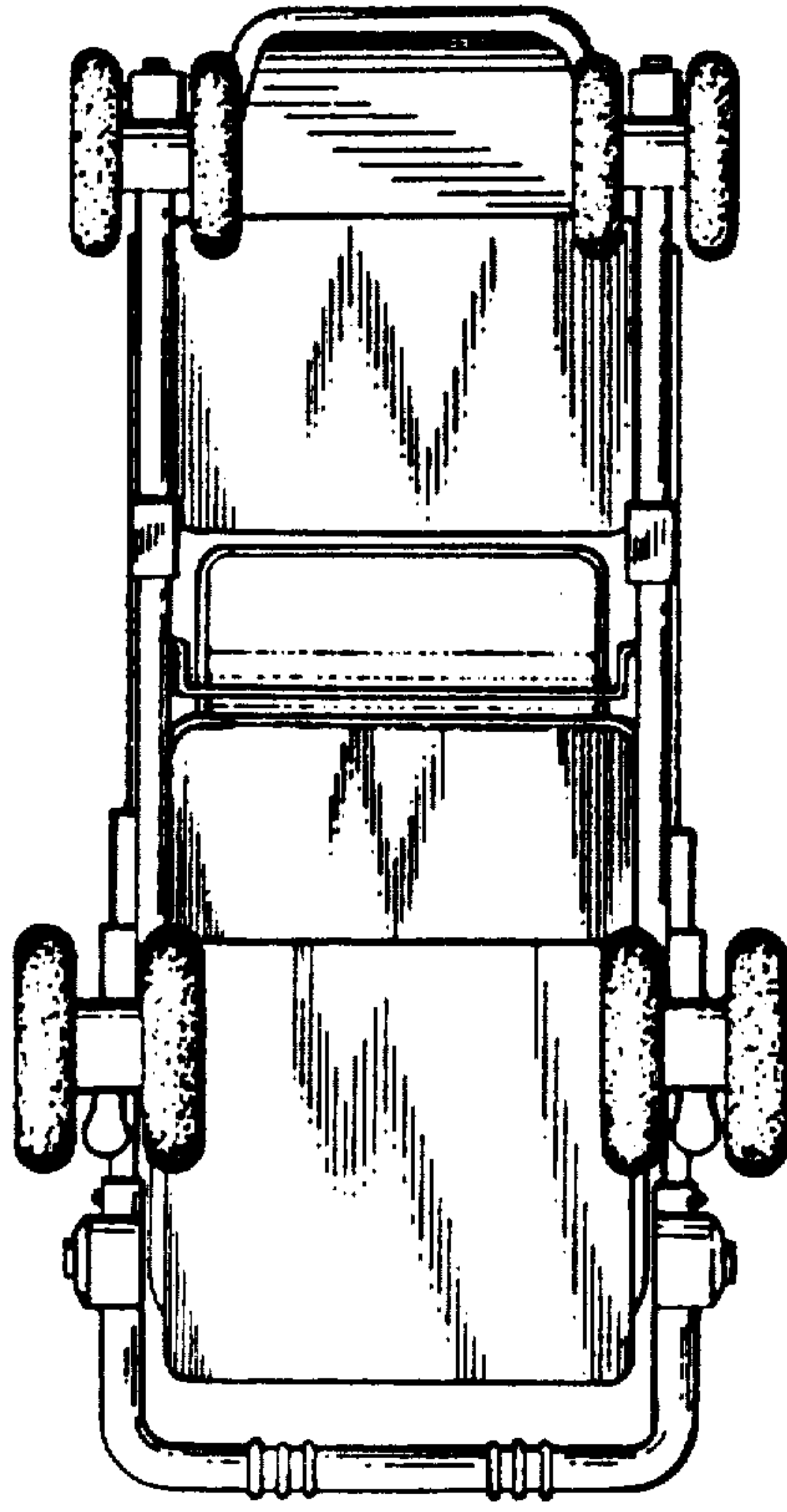


Fig. 7

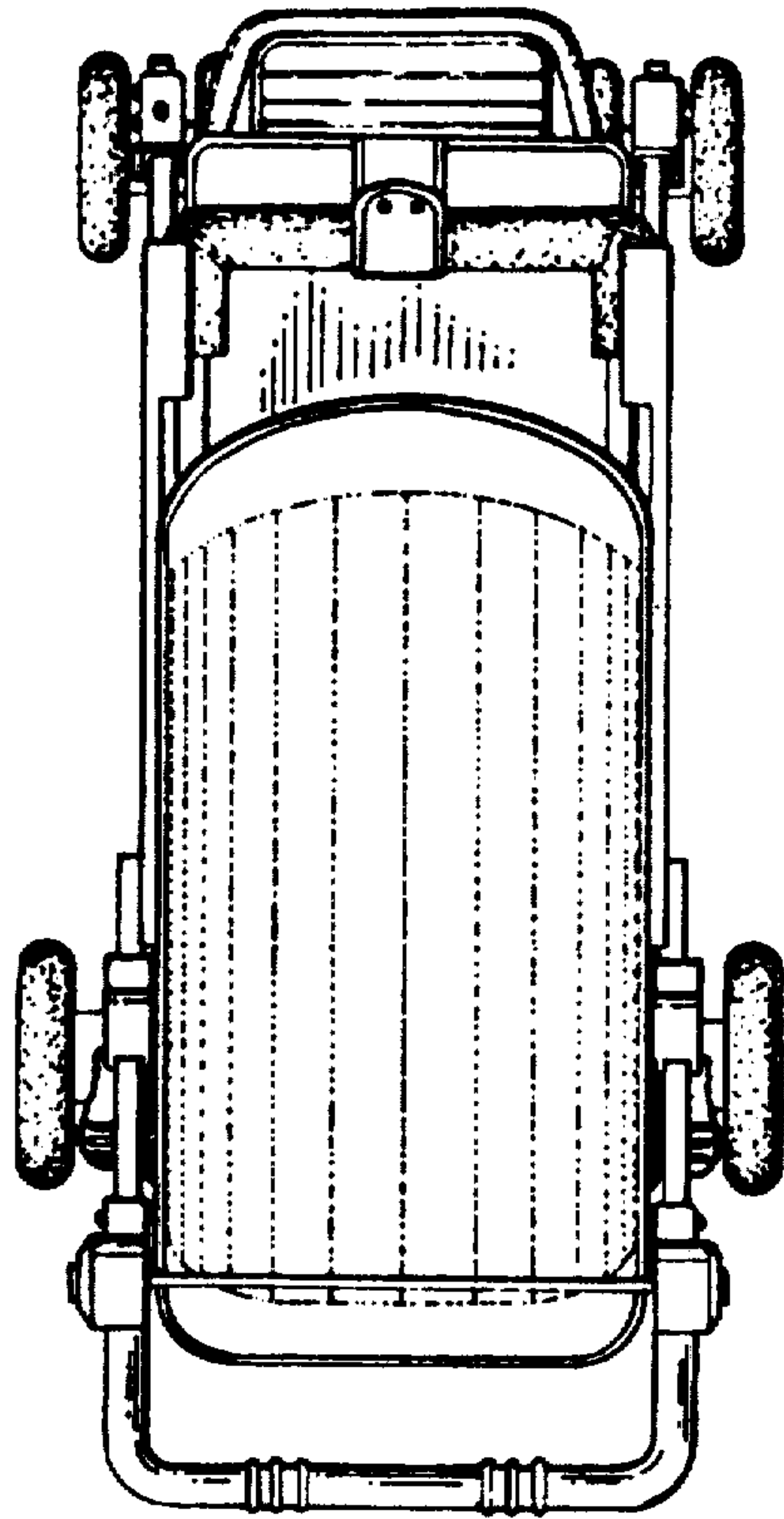


Fig. 6

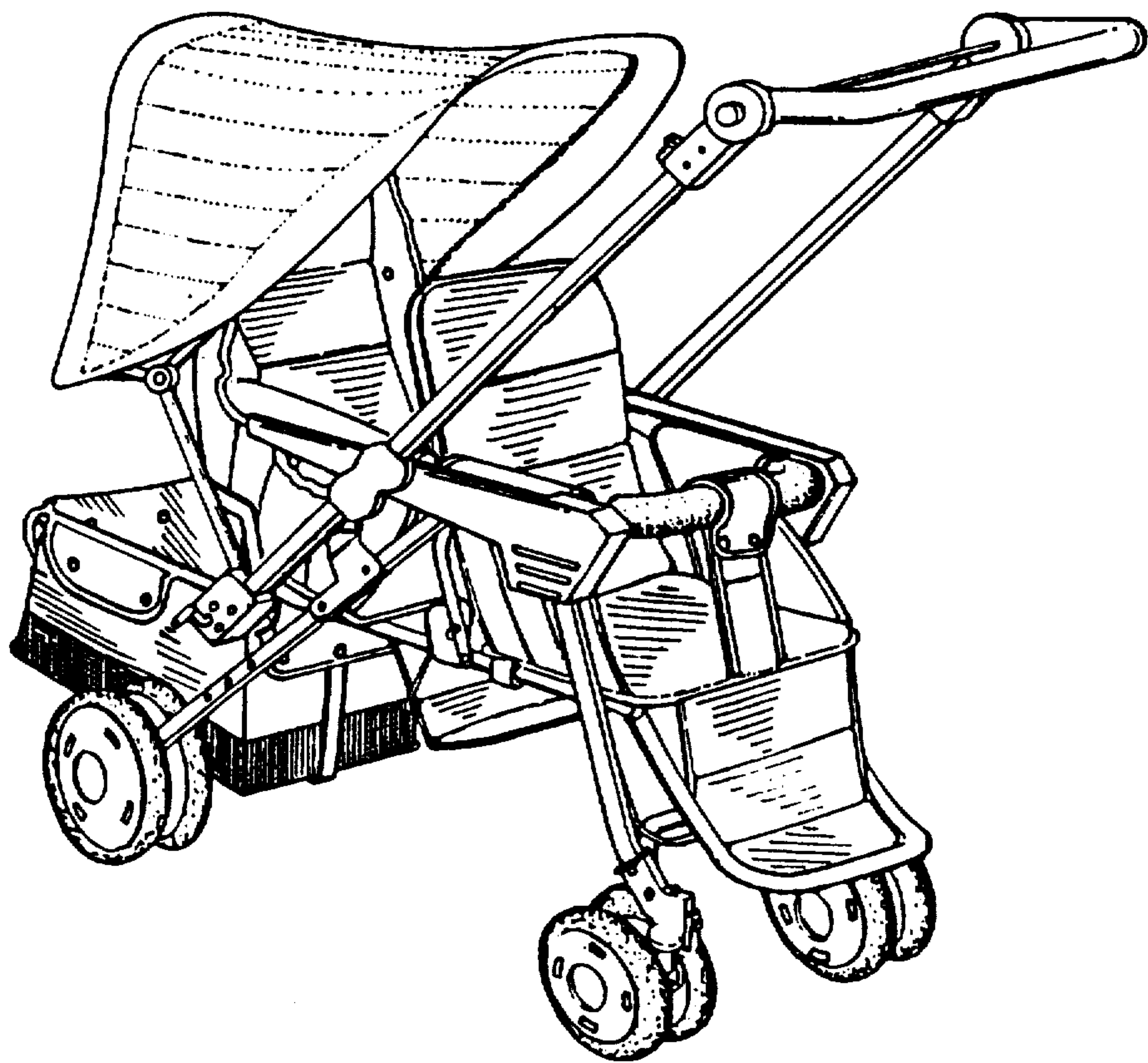


Fig. 8