



US00D328045S

# United States Patent [19]

[11] Patent Number: Des. 328,045

Matoba

[45] Date of Patent: \*\* Jul. 21, 1992

- [54] BELT ADJUSTER FOR APPAREL OR SIMILAR ARTICLE
- [75] Inventor: Hiroshi Matoba, Toyama, Japan
- [73] Assignee: Nippon Notion Kogyo Co., Ltd., Tokyo, Japan
- [\*\*] Term: 14 Years
- [21] Appl. No.: 464,747
- [22] Filed: Jan. 12, 1990
- [52] U.S. Cl. .... D11/218; D8/382; D8/383; 24/169; 24/196
- [58] Field of Search ..... D11/200, 201, 208, 216, D11/220, 226, 228, 236, 237, 218, 210, 231, 219; 24/304-314, 323, 646, 650, 169, 170, 176, 68 R, 68 CD, 198, 196, 163 R, 163 K, 191-193, 200; D8/382-383, 356

Primary Examiner—A. Hugo Word  
 Assistant Examiner—R. Seifert  
 Attorney, Agent, or Firm—Hill, Van Santen, Steadman & Simon

### [57] CLAIM

The ornamental design for a belt adjuster for apparel or similar article, as shown and described.

### DESCRIPTION

FIG. 1 is a front elevational view of a belt adjuster for apparel or similar article showing my new design;  
 FIG. 2 is an end elevational view;  
 FIG. 3 is a cross sectional view taken along the lines 3—3 of FIG. 1;  
 FIG. 4 is a rear elevational view;  
 FIG. 5 is an end elevational view of the side opposite that shown in FIG. 2;  
 FIG. 6 is a right side elevational view the opposite side being a mirror image thereof; and,  
 FIG. 7 is the cross sectional view similar to that of FIG. 3, shown with a belt to illustrate the design in a position of use.  
 The broken line showing of a belt in FIG. 7 is for illustrative purposes only and forms no part of the claimed design.

### [56] References Cited

#### U.S. PATENT DOCUMENTS

D. 287,067	12/1986	Kasai	.....	D11/218
4,571,783	2/1986	Kasai	.....	24/169
4,608,735	9/1986	Kasai	.....	24/196
4,637,099	1/1987	Kasai	.....	24/169
4,677,711	7/1987	Ansher	.....	24/196
4,903,378	2/1990	Kasai	.....	24/196

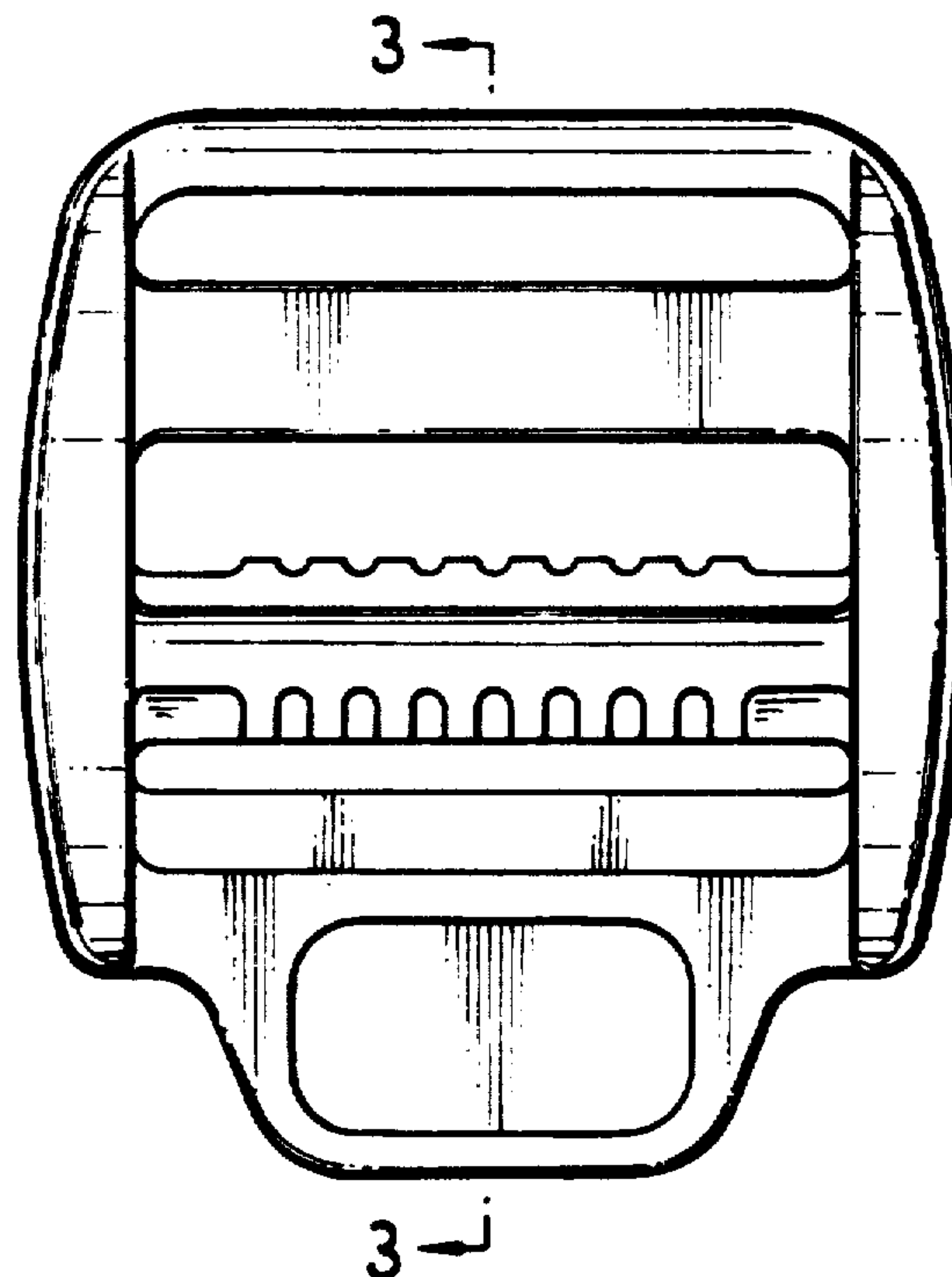


FIG. 3

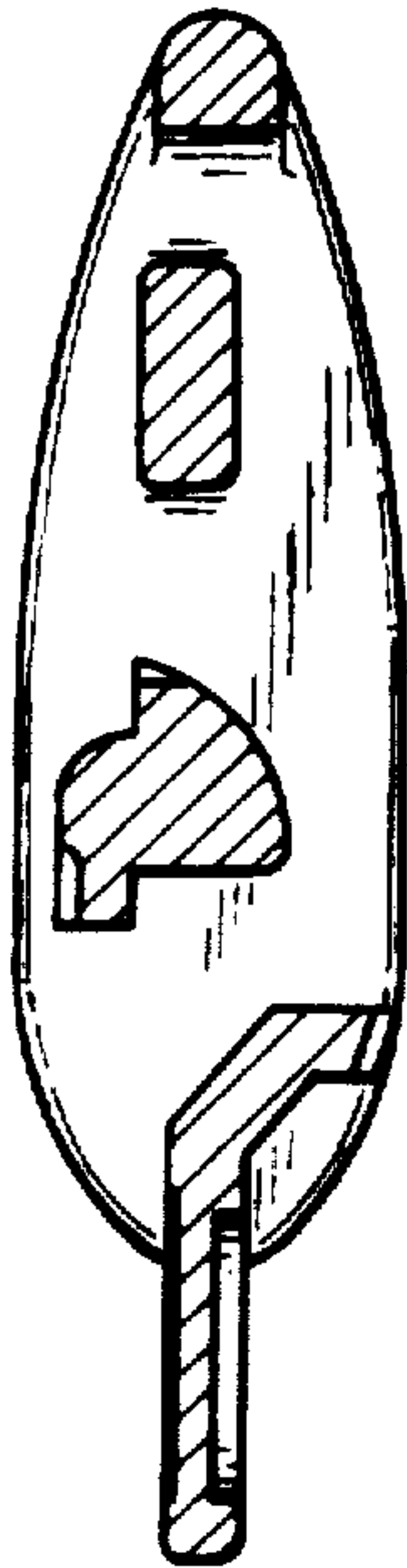


FIG. 1

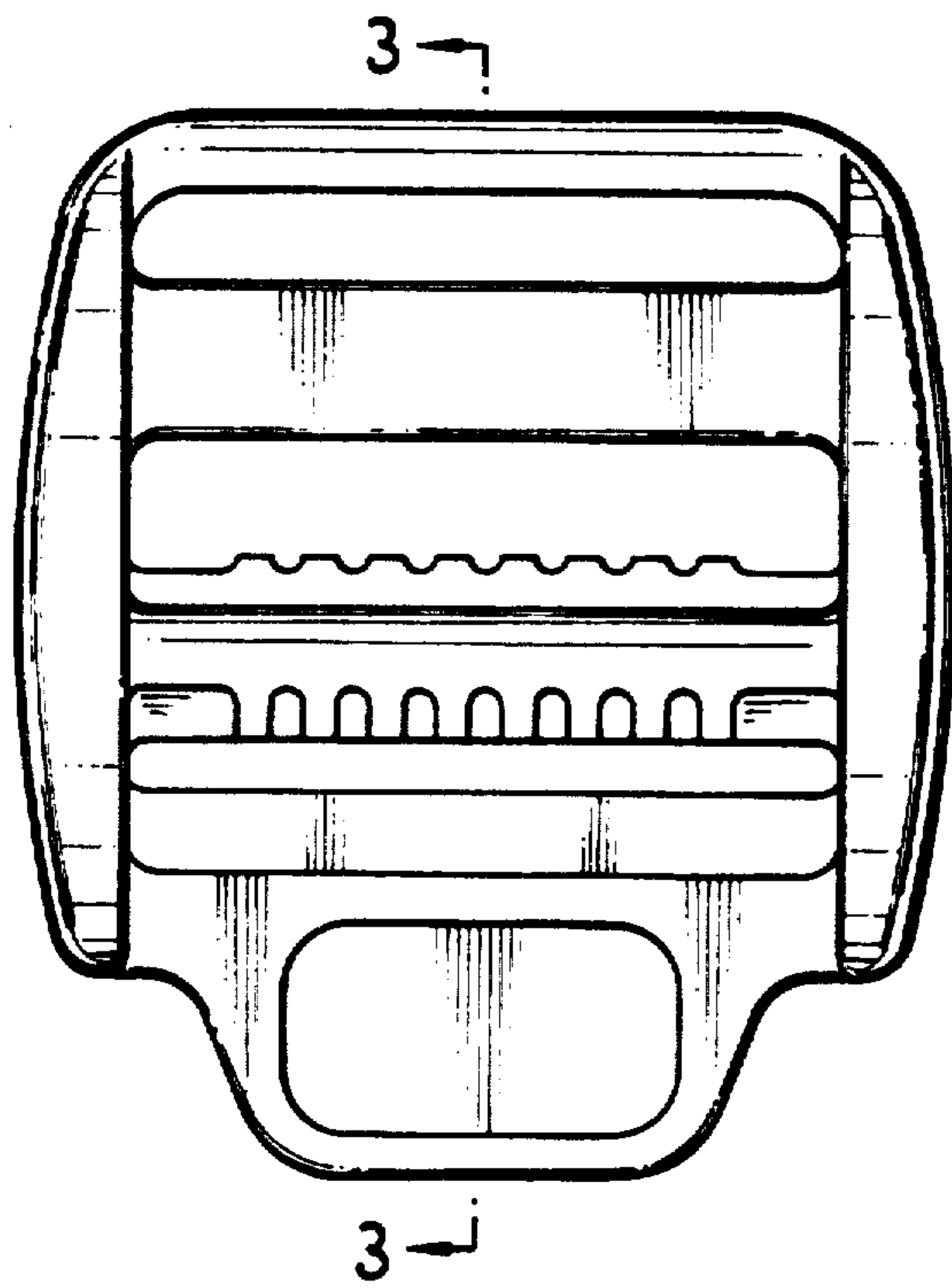


FIG. 2

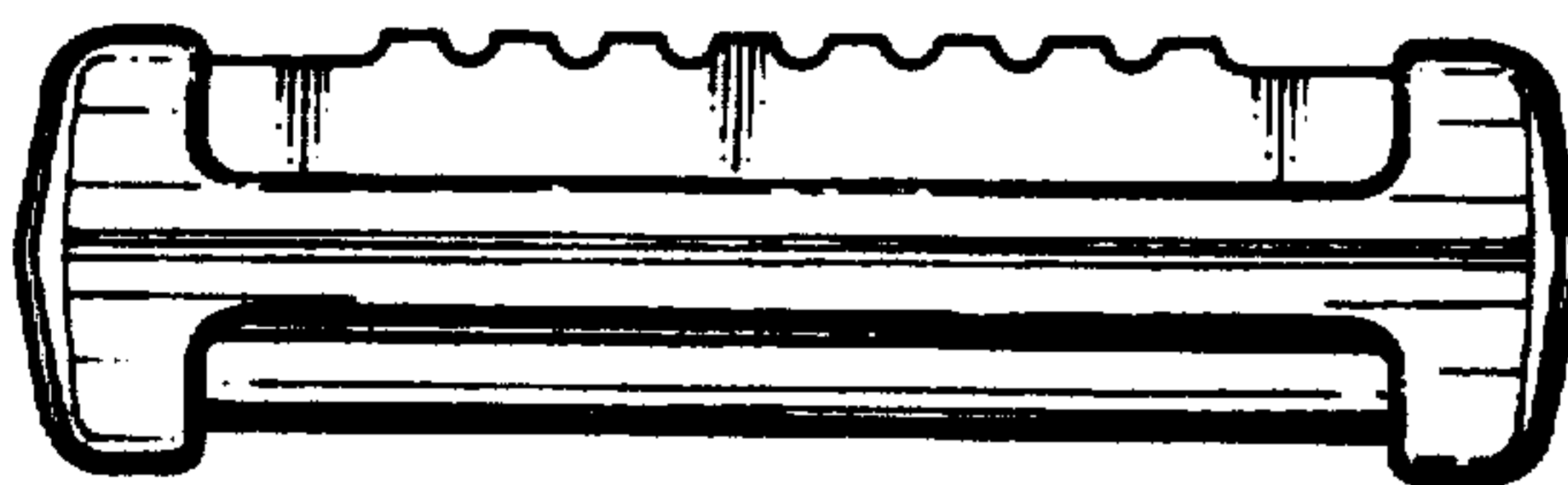


FIG. 6

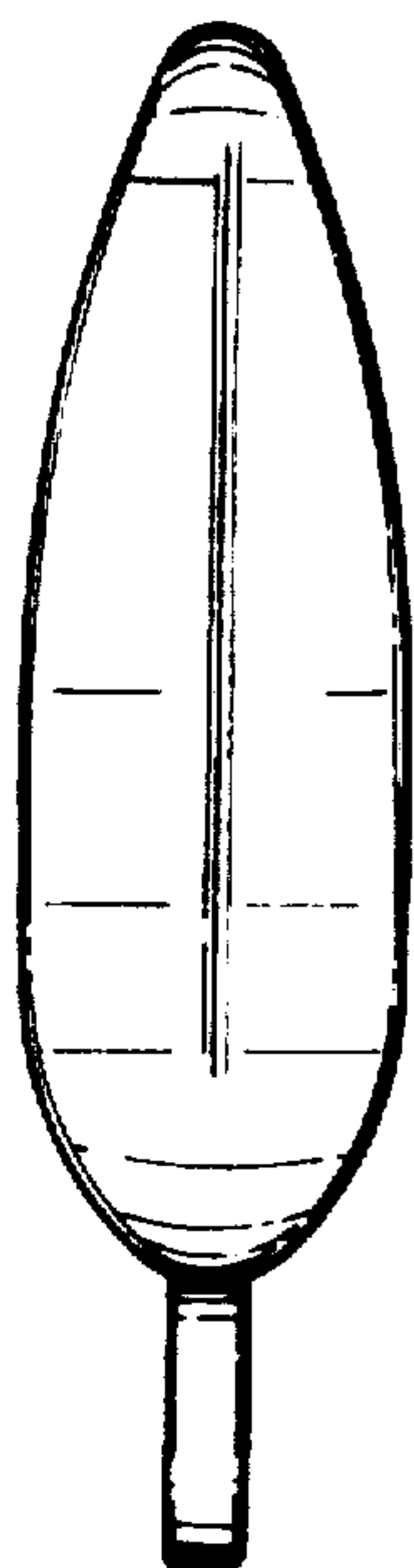


FIG. 4

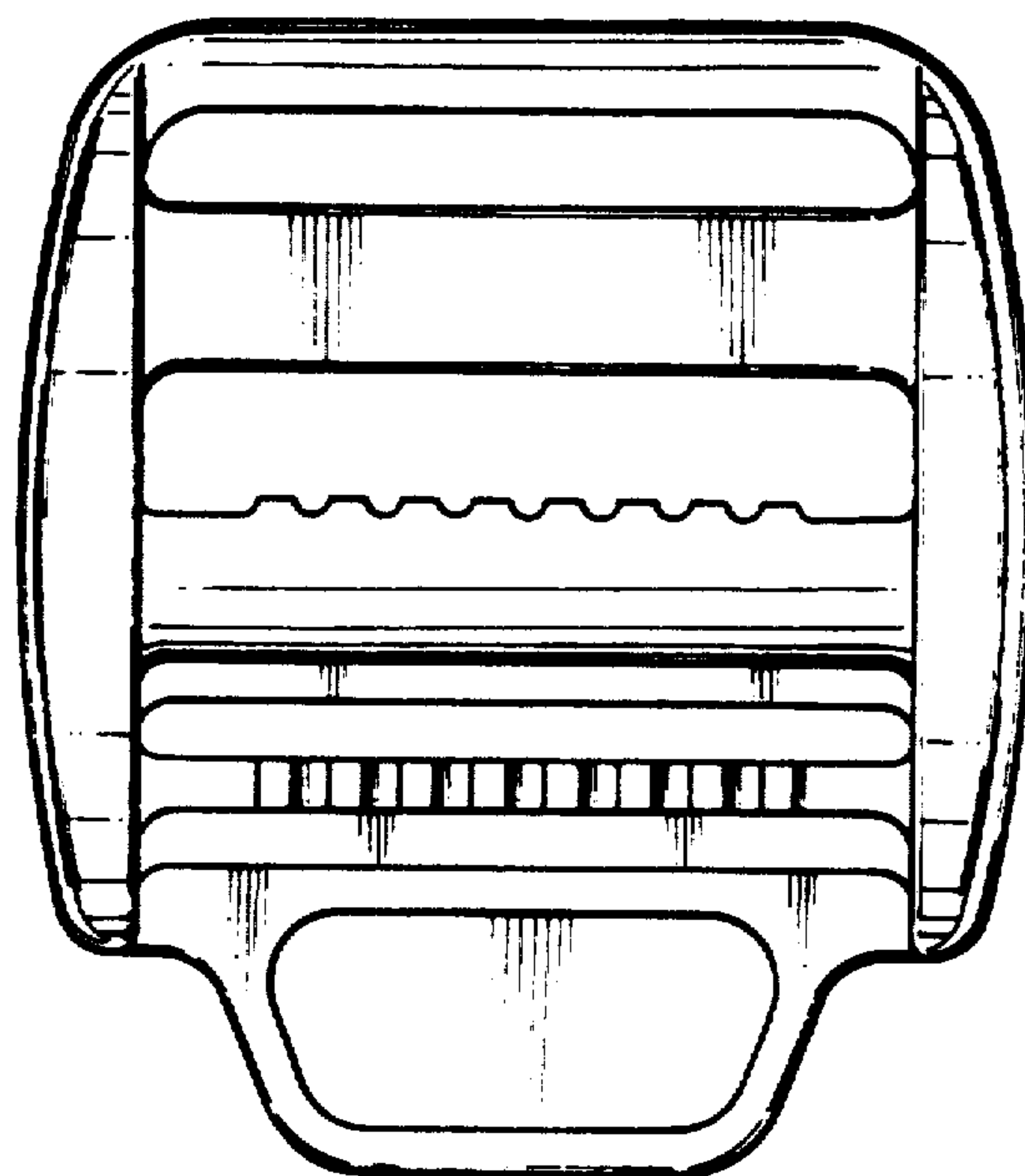


FIG. 5

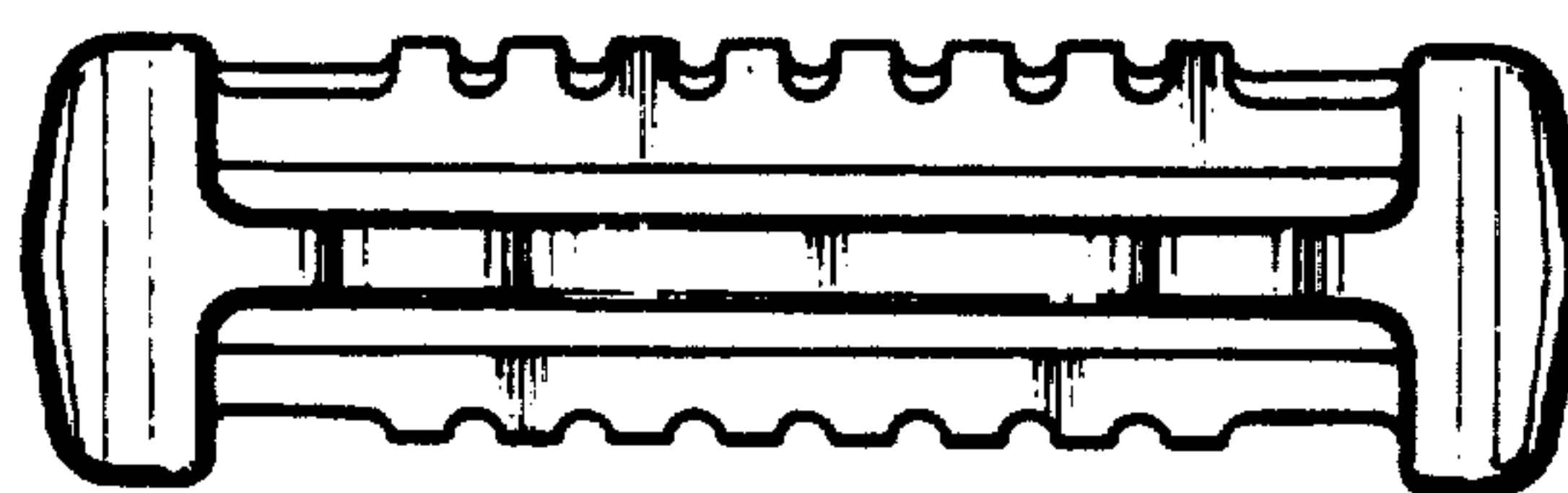


FIG. 7

