



US00D328042S

United States Patent [19]

[11] Patent Number: **Des. 328,042**

Lai

[45] Date of Patent: **** Jul. 21, 1992**

[54] **CHRISTMAS TREE STAND**

D. 278,891 5/1985 Levin D11/130.1
2,461,748 2/1949 Looker 248/519

[76] Inventor: **Chung-Ho Lai**, 9th Fl., 152, Sec. 1,
Chong Shiao E. Rd., Taipei, Taiwan

Primary Examiner—Bernard Ansher
Assistant Examiner—Dominic Simone
Attorney, Agent, or Firm—Asian Pacific International
Patent and Trademark Office

[**] Term: **14 Years**

[21] Appl. No.: **628,653**

[57] **CLAIM**

[22] Filed: **Dec. 17, 1990**

The ornamental design for a Christmas tree stand, as shown and described.

[52] U.S. Cl. **D11/130.1**

[58] Field of Search **D11/130.1, 182;**
47/40.5, 42; 248/519

DESCRIPTION

[56] **References Cited**

U.S. PATENT DOCUMENTS

D. 225,498 12/1972 Norton D11/130.1
D. 232,791 9/1974 Schulz D11/130.1
D. 234,991 4/1975 Olivier D11/130.1

FIG. 1 is a top front perspective view of a Christmas tree stand showing my design;
FIG. 2 is a front elevational view thereof, the rear and sides being identical;
FIG. 3 is a top plan view thereof; and,
FIG. 4 is a bottom plan view thereof.

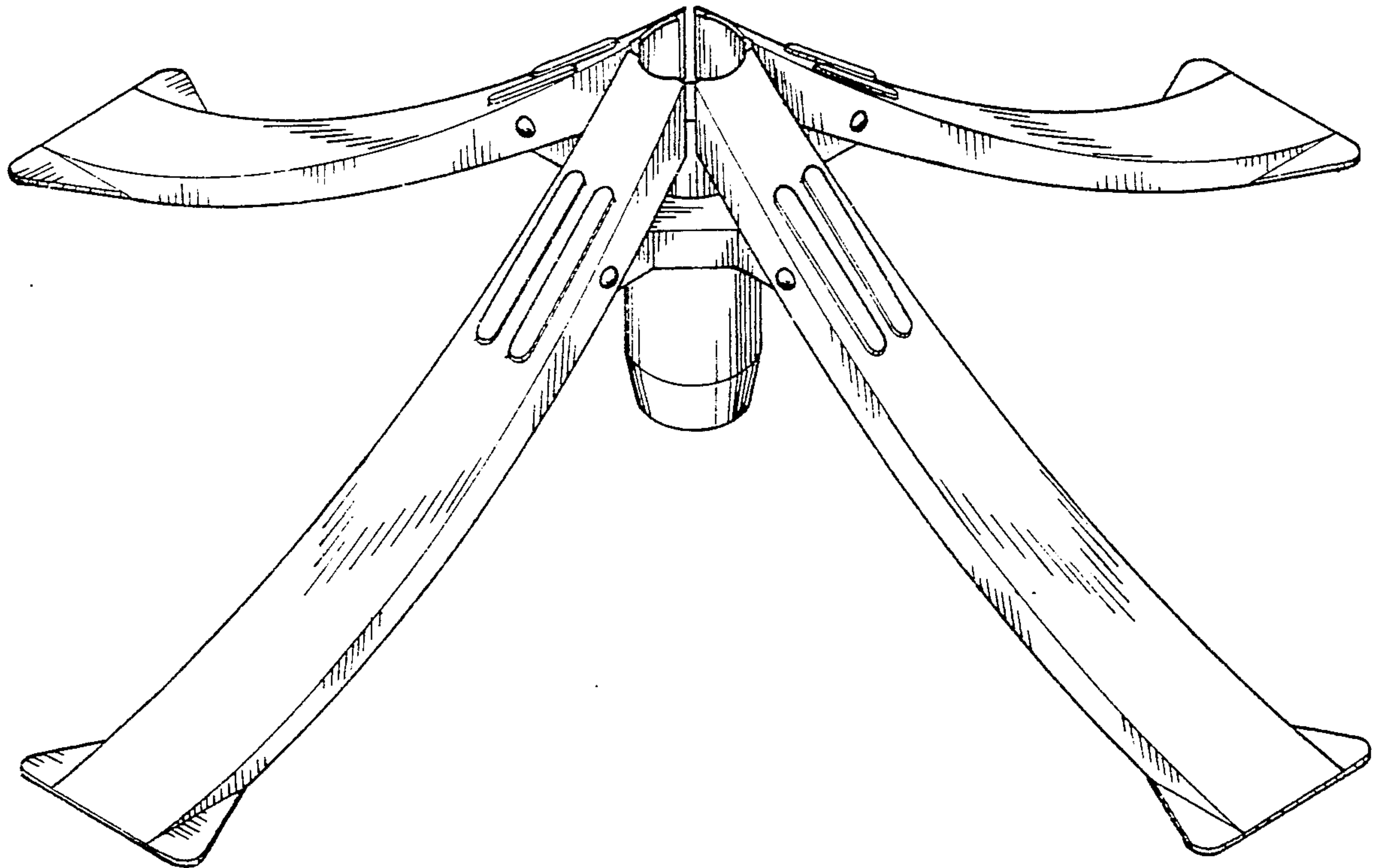


FIG. 1

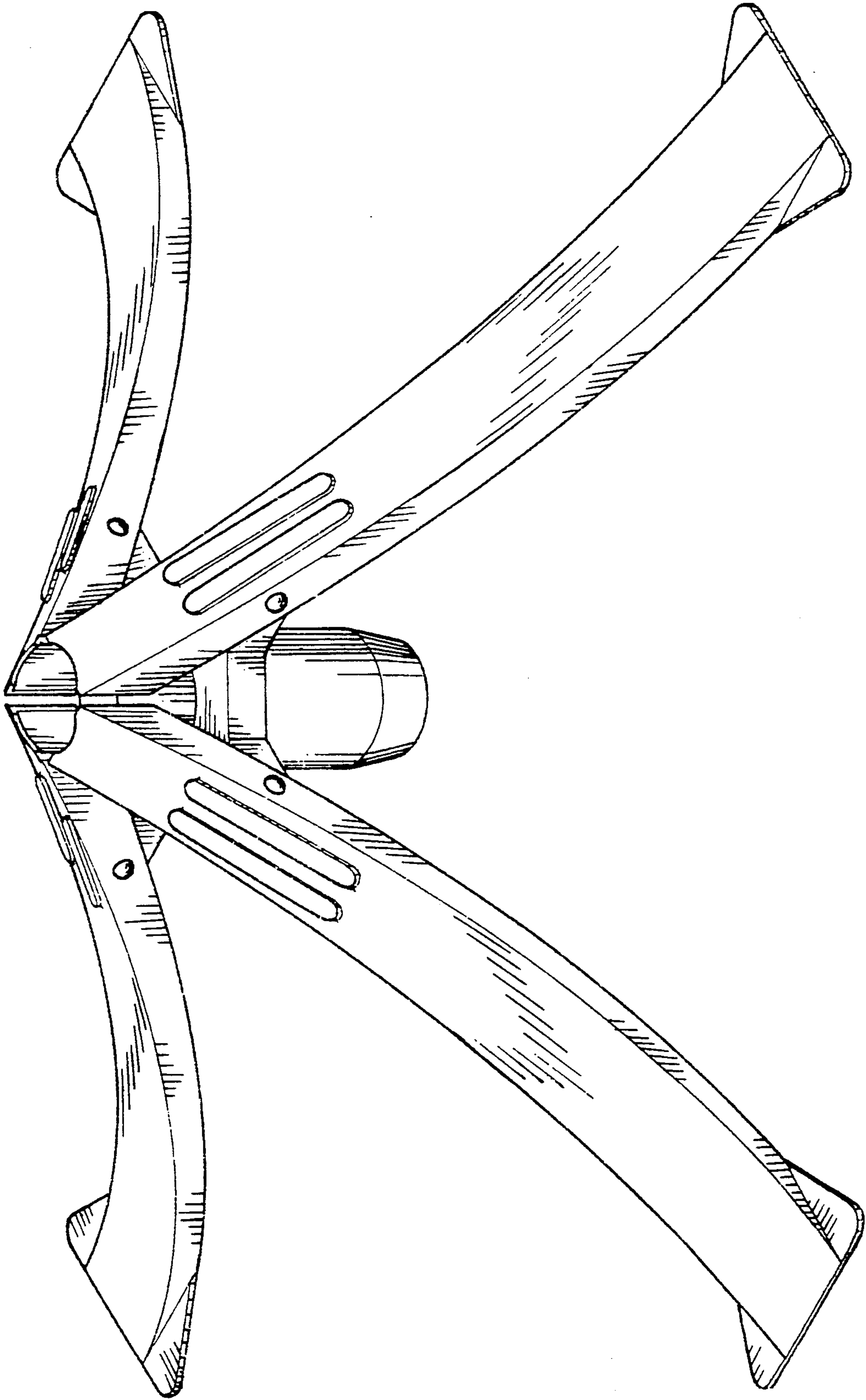


FIG. 2

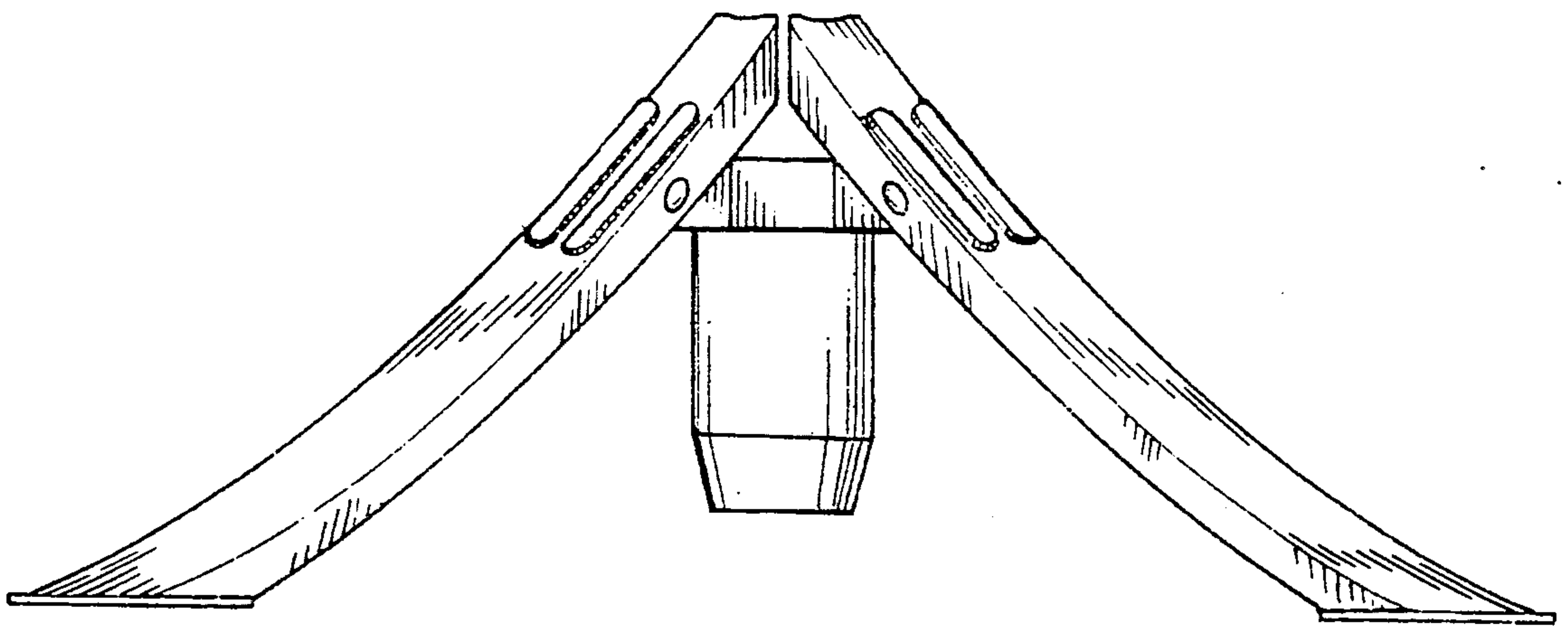


FIG. 3

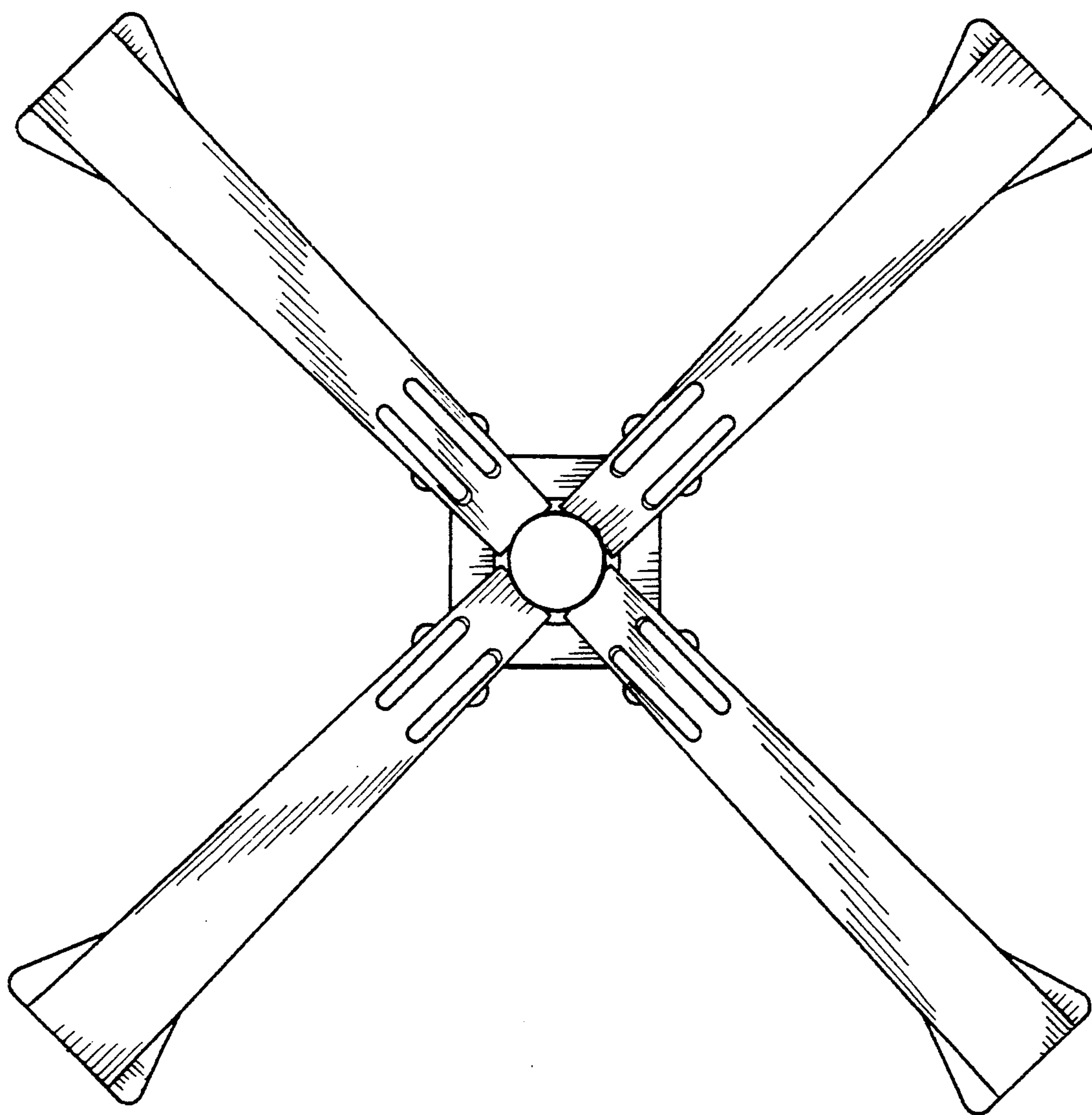


FIG. 4

