



US00D328041S

# United States Patent [19]

[11] Patent Number: **Des. 328,041**

**Cowan**

[45] Date of Patent: **\*\* Jul. 21, 1992**

[54] **TOP SHELL FOR EXPANSION BRACELET LINK**

[75] Inventor: **Murray L. Cowan, Norwood, Mass.**

[73] Assignee: **Textron, Inc., Providence, R.I.**

[\*\*] Term: **14 Years**

[21] Appl. No.: **513,187**

[22] Filed: **Apr. 23, 1990**

[52] U.S. Cl. .... **D11/93; D11/4; D11/19**

[58] Field of Search ..... **D11/1-13, D11/15-25, 93-94; 59/80-88, 90; 63/1.1-6; 224/171, 175, 178; D10/30-32**

[56] **References Cited**

**U.S. PATENT DOCUMENTS**

- D. 186,398 10/1959 Katz ..... D11/2
- D. 190,670 6/1961 Goodman ..... D11/93

- D. 221,018 6/1971 Williams ..... D11/21
- D. 274,504 7/1984 Bulgari ..... D11/12
- D. 278,693 5/1985 Perrin ..... D11/19
- D. 300,415 3/1989 Cowan ..... D11/93
- D. 301,125 5/1989 Cowan ..... D11/93
- 2,505,169 4/1950 Bikoff ..... 59/80

*Primary Examiner*—A. Hugo Word

*Assistant Examiner*—R. Seifert

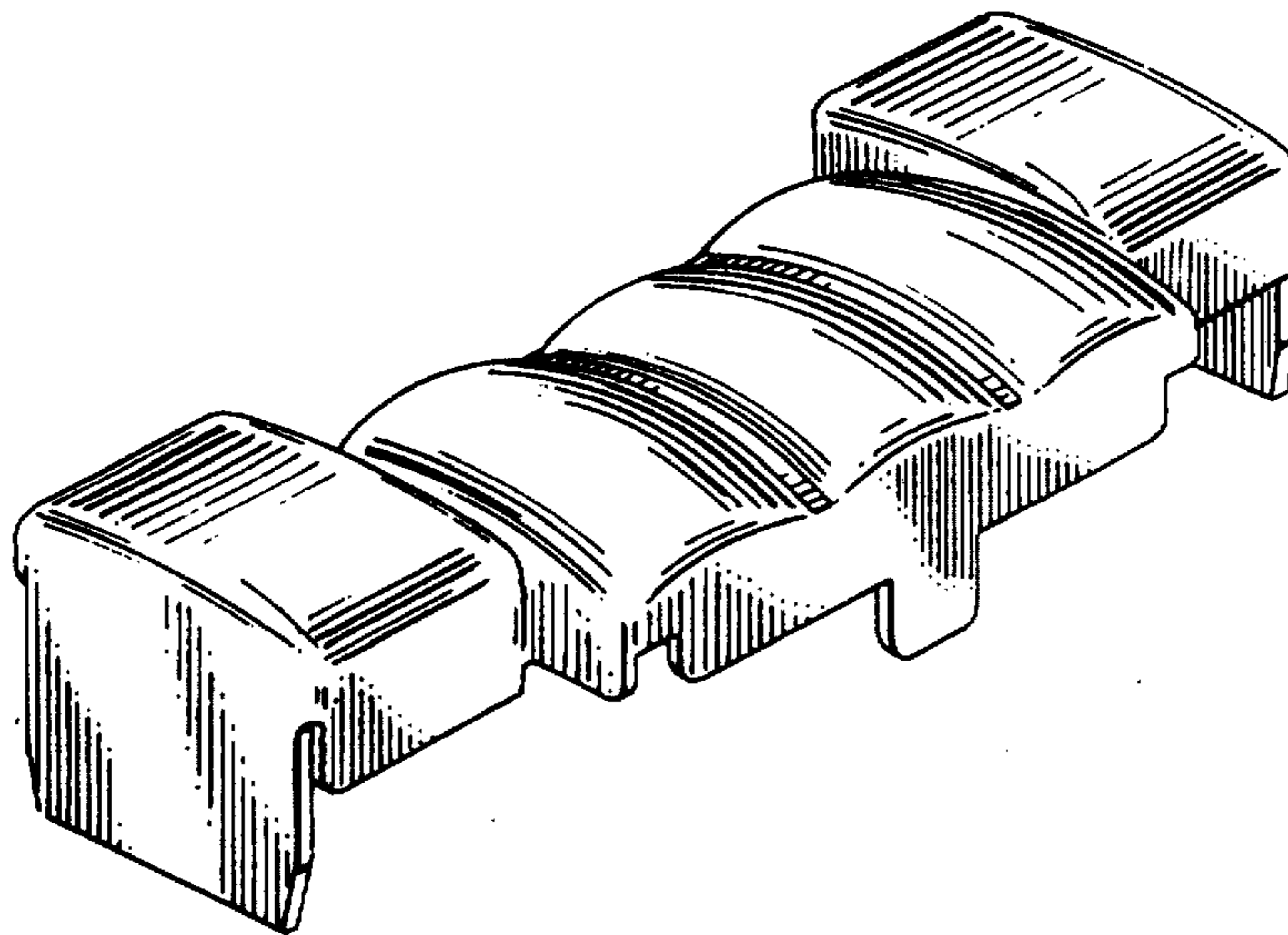
*Attorney, Agent, or Firm*—Samuels, Gauthier & Stevens

[57] **CLAIM**

The ornamental design for a top shell for expansion bracelet link, as shown and described.

**DESCRIPTION**

FIG. 1 is a perspective view of a top shell for expansion bracelet link showing my new design;  
 FIG. 2 is a top plan view thereof;  
 FIG. 3 is a side elevational view thereof;  
 FIG. 4 is an end elevational view thereof; and,  
 FIG. 5 is a bottom plan view thereof.



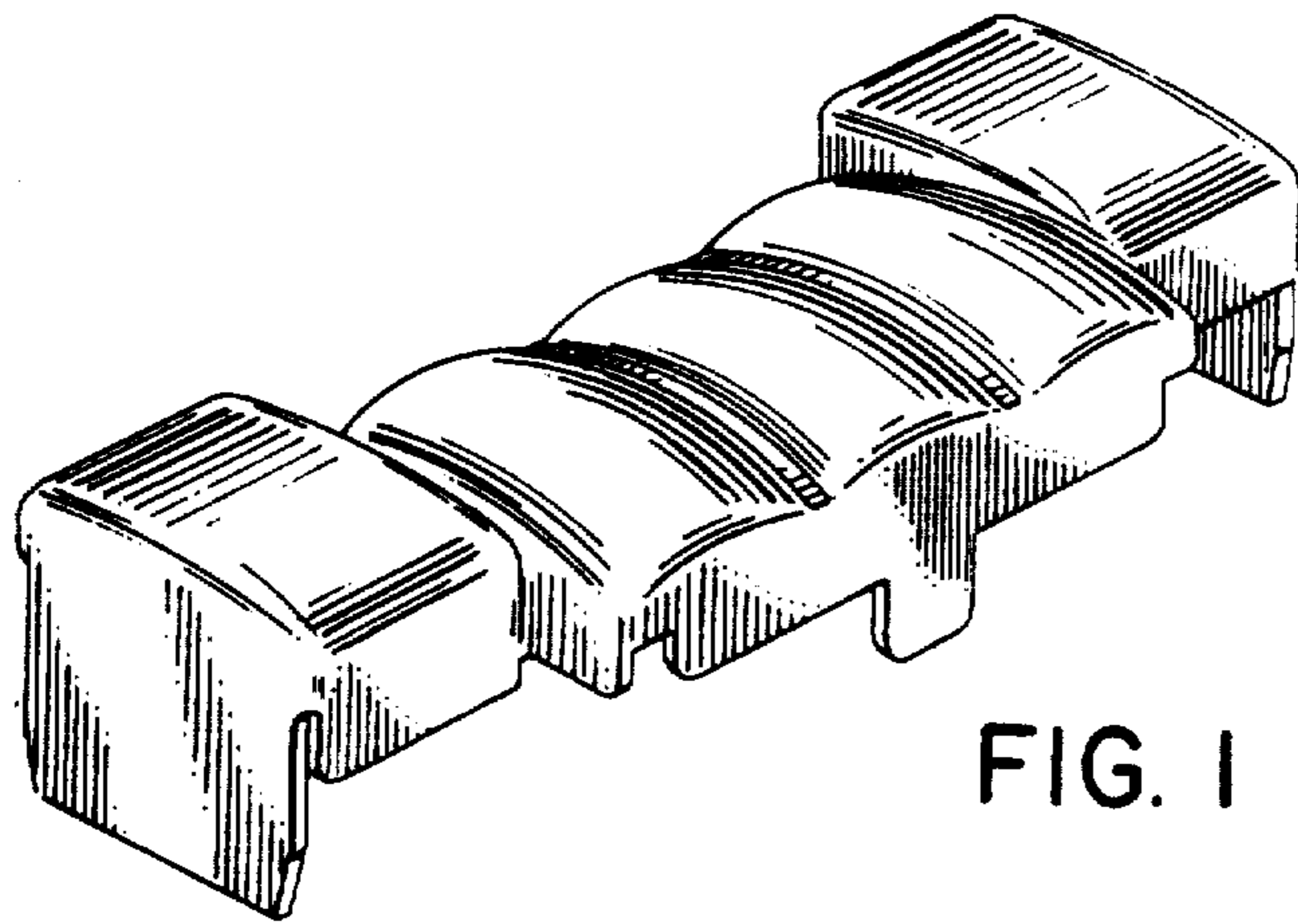


FIG. 1

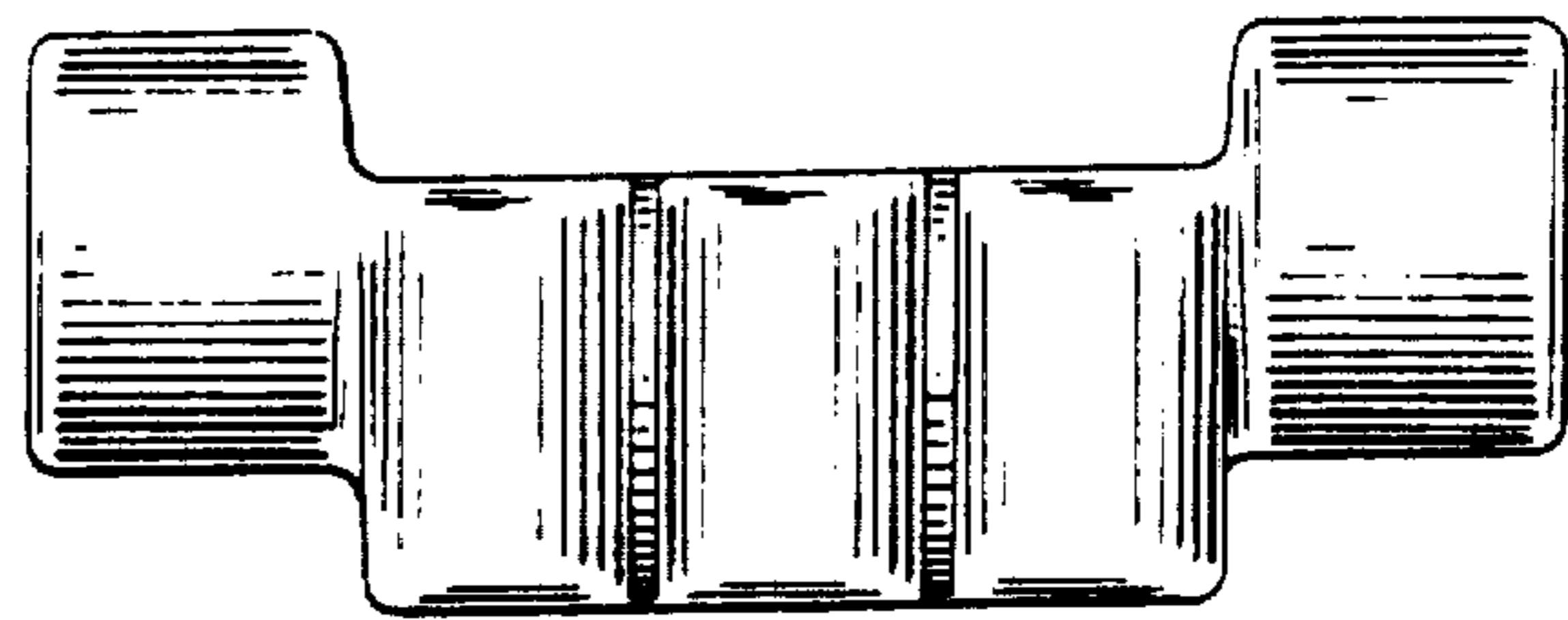


FIG. 2

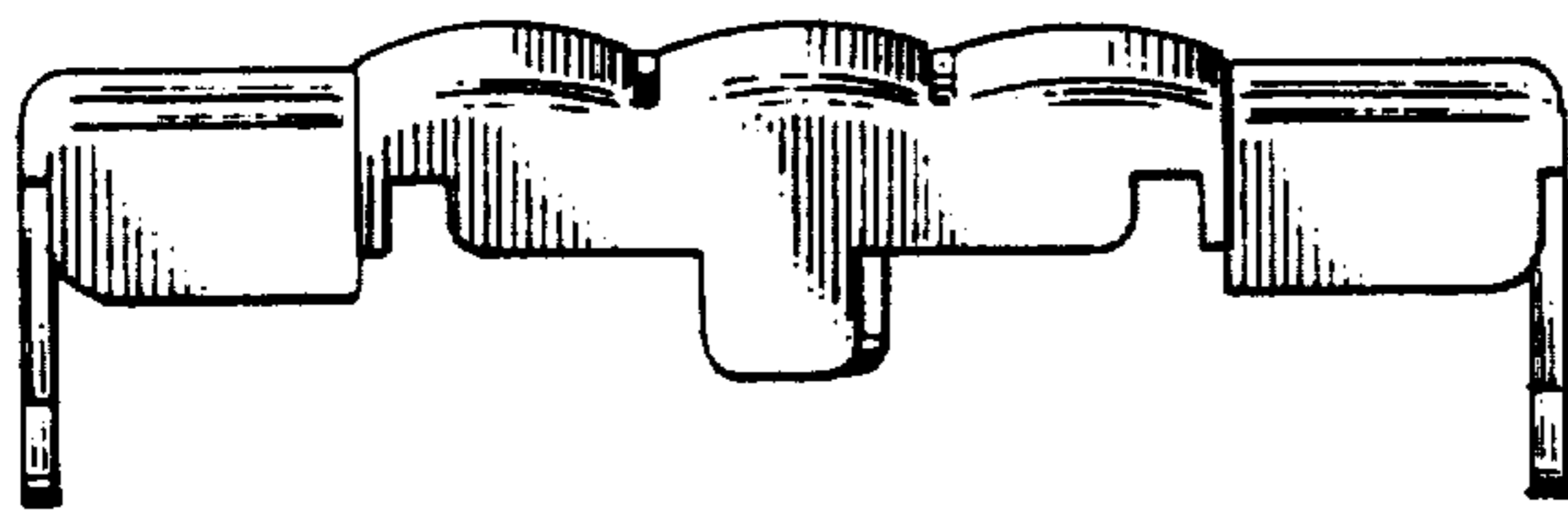


FIG. 3

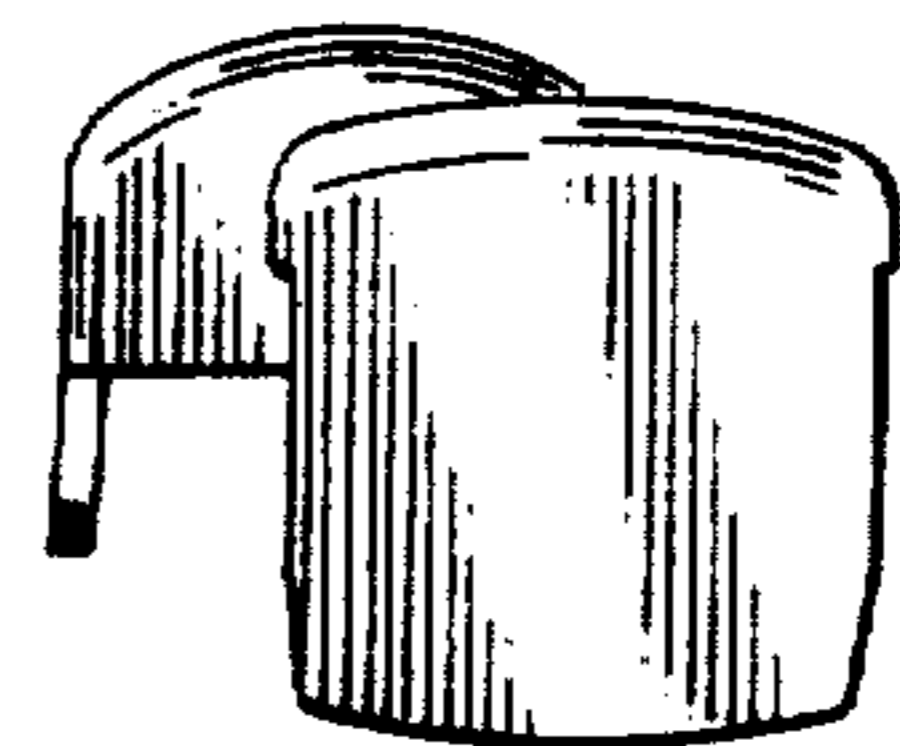


FIG. 4

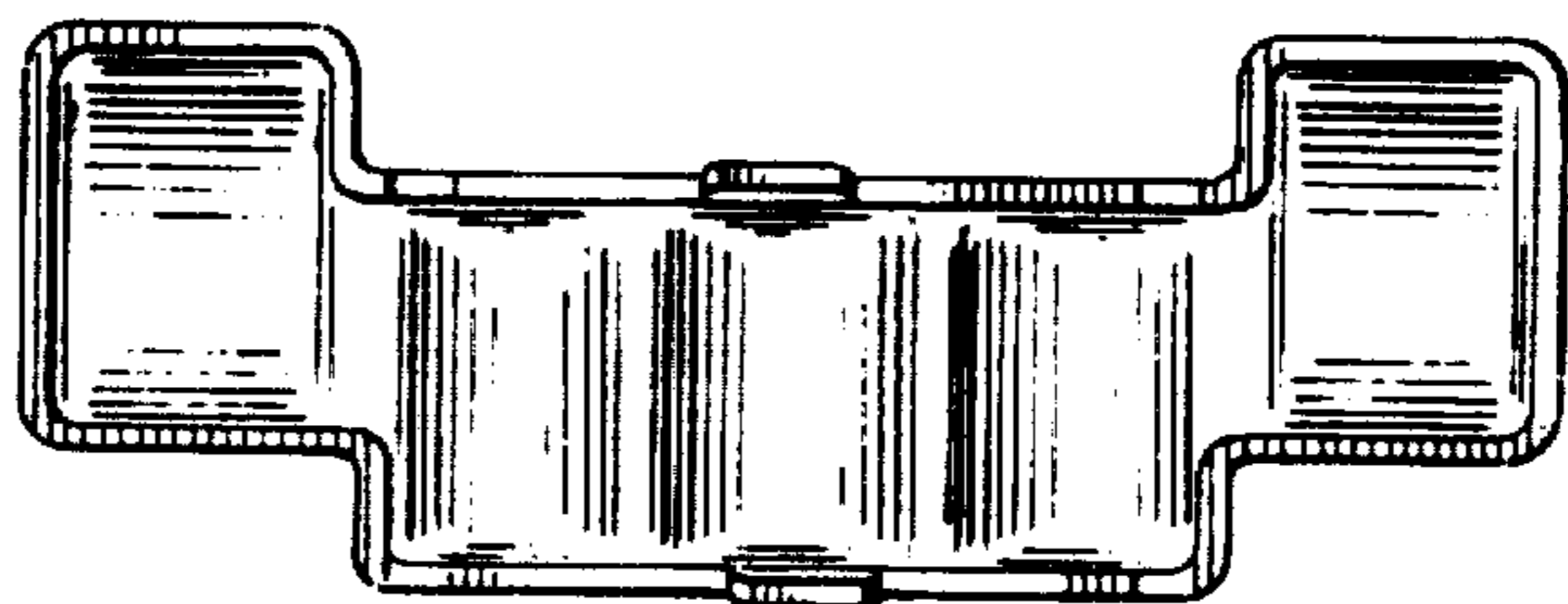


FIG. 5