



US00D328036S

United States Patent [19]
Ricci

[11] **Patent Number: Des. 328,036**
[45] **Date of Patent: ** Jul. 21, 1992**

[54] **COMBINED WRISTWATCH AND BRACELET END PORTION THEREFOR**

[75] **Inventor: Stephano Ricci, Rome, Italy**
[73] **Assignee: Orfeverrie Christofle, Paris, France**
[**] **Term: 14 Years**
[21] **Appl. No.: 471,236**
[22] **Filed: Jan. 25, 1990**

[30] **Foreign Application Priority Data**

Jul. 28, 1989 [FR] France 89 4891
[52] **U.S. Cl. D10/32; D10/39**
[58] **Field of Search D10/1-40, D10/122-132; 368/276-277, 280-282, 285**

[56] **References Cited**

U.S. PATENT DOCUMENTS

D. 294,010 2/1988 Bouchet D10/39 X
D. 294,918 3/1988 Kabaya D10/39 X
D. 309,267 7/1990 Saurer D10/39
D. 310,333 9/1990 Fong D10/32
2,274,207 2/1942 Merz D10/32 X

OTHER PUBLICATIONS

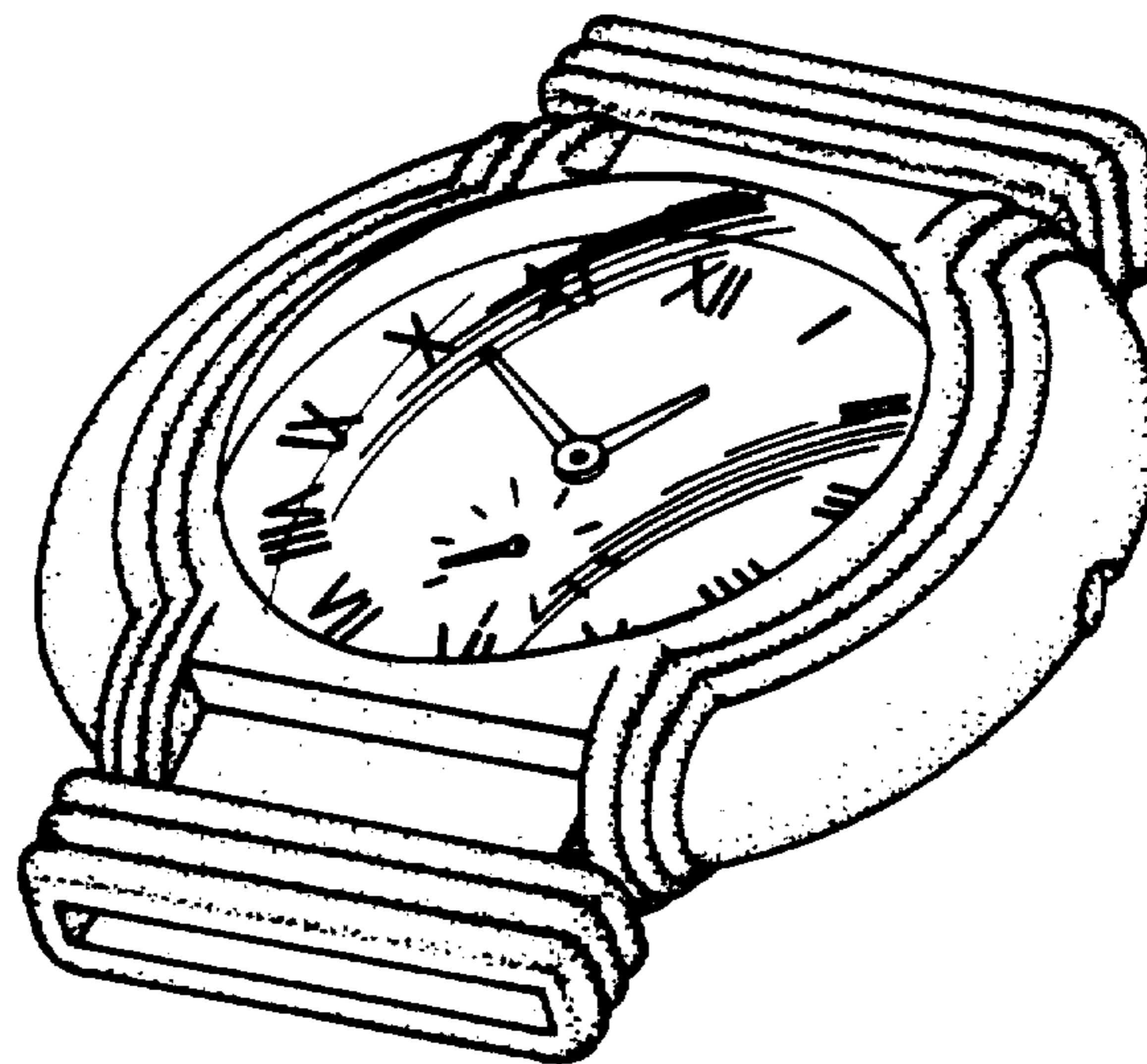
European Jeweler—4/85—p. 80—Watch at bottom.
Swiss Watch & Jewelry Journal—2/88—p. 186—Watches at center and top-left.
Swiss Watch & Jewelry Journal—2/86—p. 465—Watch at right.
Primary Examiner—Nelson C. Holtje
Attorney, Agent, or Firm—Mason Fenwick & Lawrence

[57] **CLAIM**

The ornamental design for a combined wristwatch and bracelet end portion therefor, as shown and described.

DESCRIPTION

FIG. 1 is a front and bottom-right perspective view of a combined wristwatch and bracelet end portion therefor showing my new design;
FIG. 2 is a front elevational view thereof;
FIG. 3 is a bottom plan view thereof; the top plan view being a mirror image;
FIG. 4 is a right side elevational view thereof, the left side being a mirror image with the winding knob area omitted; and,
FIG. 5 is a rear elevational view thereof.



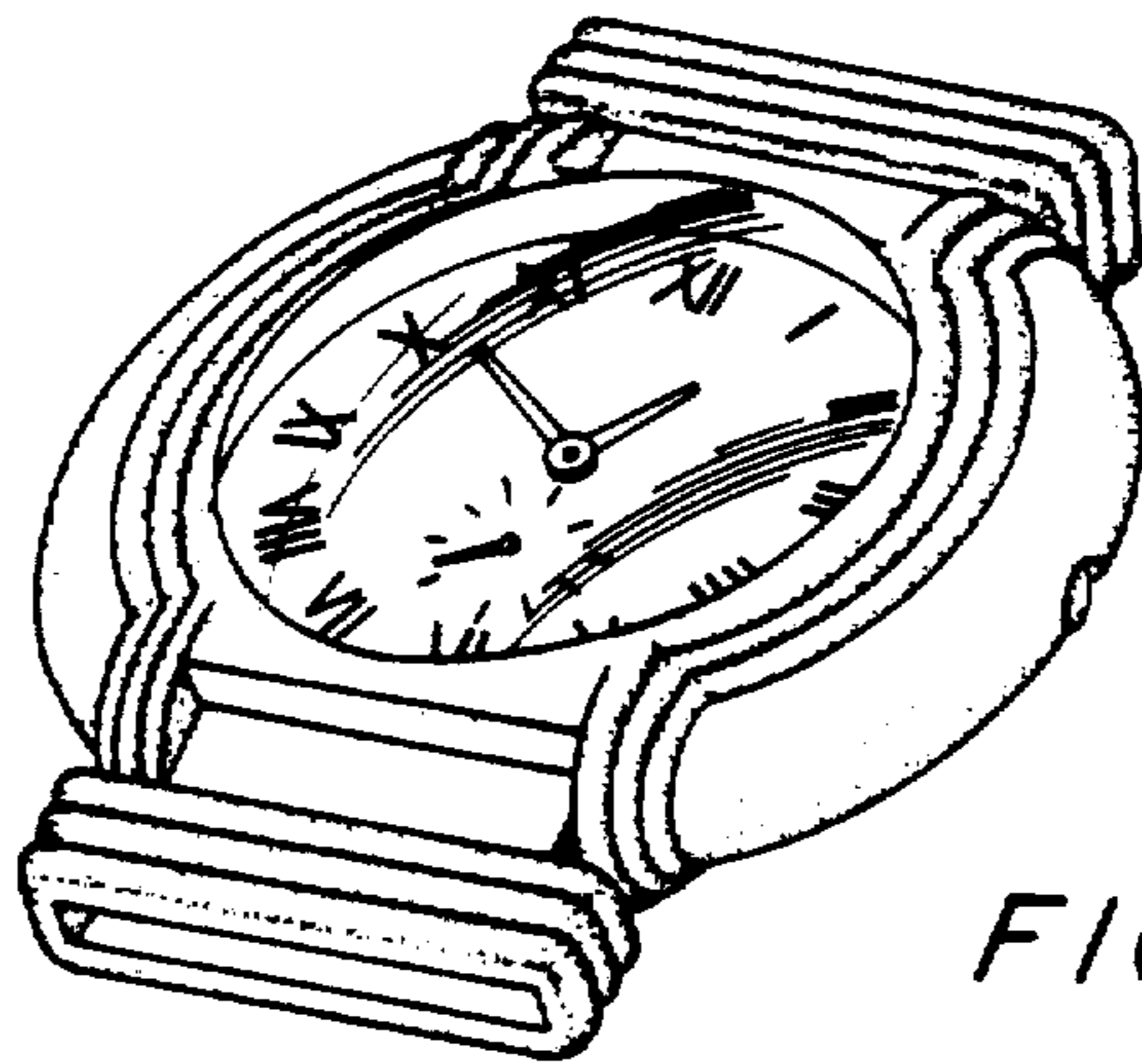


FIG. 1

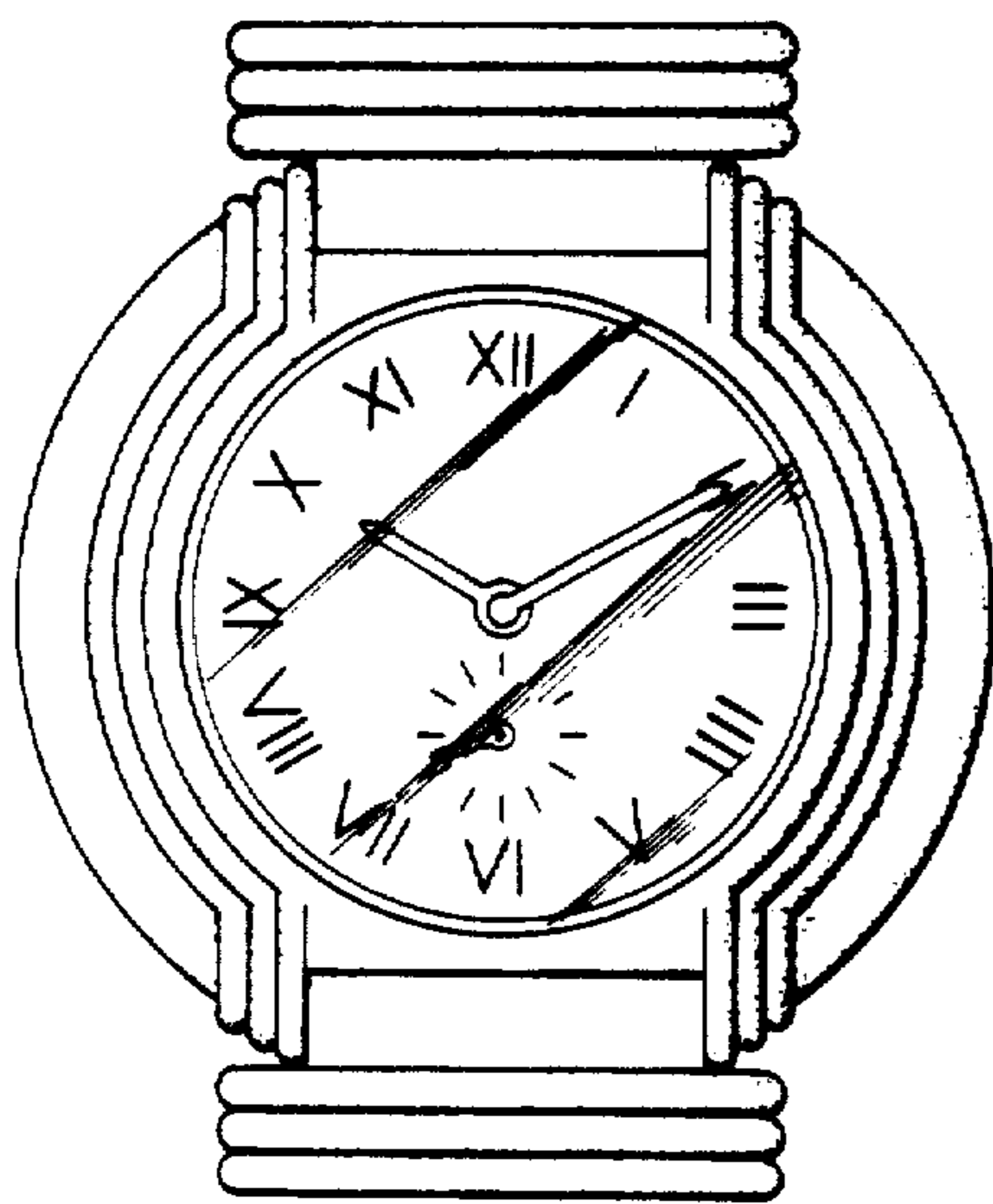


FIG. 2



FIG. 4

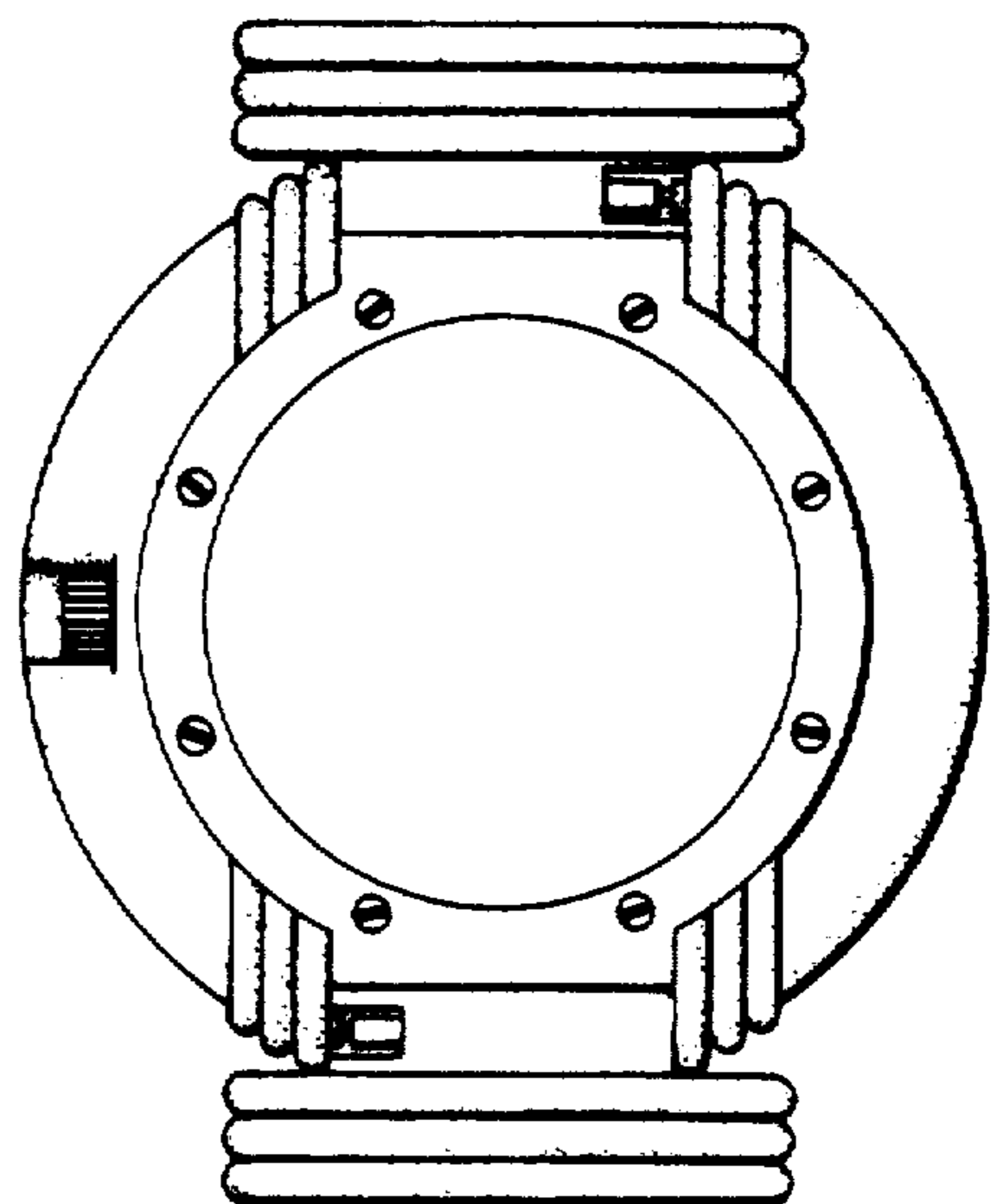


FIG. 5

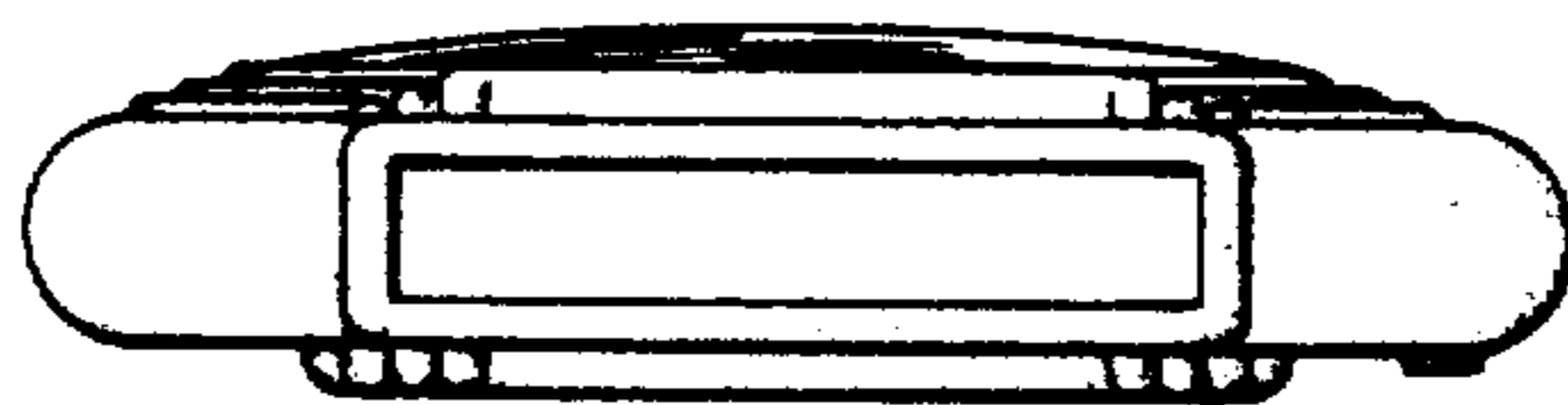


FIG. 3