



US00D328030S

United States Patent [19] Dumbrell

[11] Patent Number: Des. 328,030

[45] Date of Patent: ** Jul. 21, 1992

[54] **STACKABLE CONTAINER**

[76] Inventor: **John A. Dumbrell**, 22 Gisborne St.,
Bulleen Victoria 3105, Australia

[**] Term: **14 Years**

[21] Appl. No.: **394,440**

[22] Filed: **Aug. 16, 1989**

[52] U.S. Cl. **D9/425**

[58] Field of Search D9/424, 425, 432, 414,
D9/337; D34/40-46; 206/557, 515, 516, 520,
508, 203; 220/4.24, 4.26, 4.27, 4.33; D7/558,
602, 609

[56] **References Cited**

U.S. PATENT DOCUMENTS

D. 250,870	1/1979	Stahel	D9/424 X
D. 311,334	10/1990	Flynn et al.	D9/424
2,739,003	3/1956	Clarke	220/4.24 X
3,416,655	12/1968	Shiffman	206/566 X
3,448,888	6/1969	Smith et al.	D9/425 X
4,483,317	11/1984	Masters	D7/558 X
4,545,487	10/1985	Asmus	D9/341 X
4,602,719	7/1986	Borst	220/339 X

OTHER PUBLICATIONS

Lustro-Ware Plastic Housewares, 1958, Front Page
Top of the Page Container.

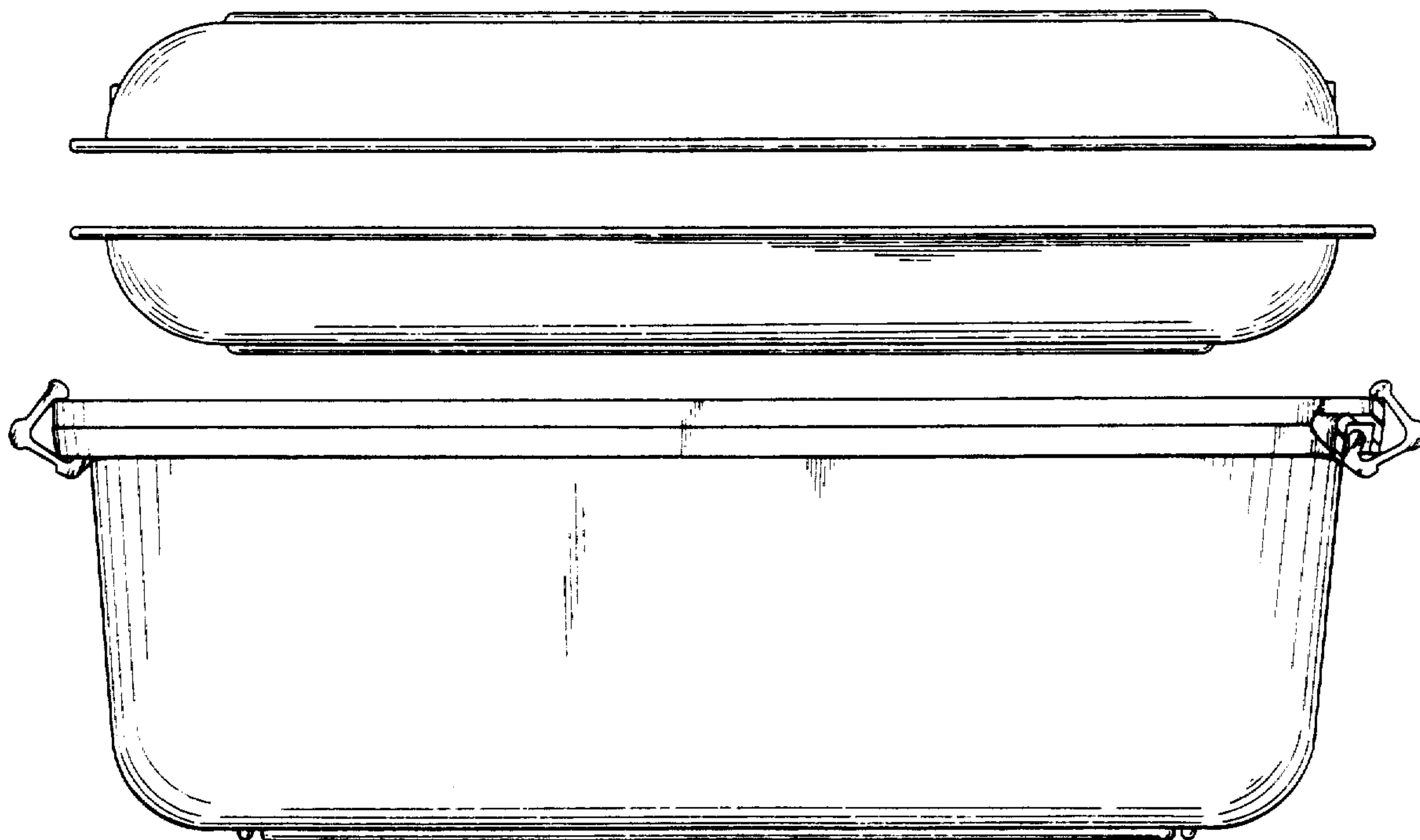
Primary Examiner—Bernard Ansher
Assistant Examiner—Prabhakar Deshmukh

[57] **CLAIM**

The ornamental design for a stackable container, as
shown and described.

DESCRIPTION

FIG. 1 is a top plan view of a stackable container showing my new design;
 FIG. 2 is a front elevational thereof; the rear elevation being a mirror image thereof;
 FIG. 3 is a left side elevation thereof; the right side elevation being a mirror image thereof;
 FIG. 4 is a bottom plan view thereof;
 FIG. 5 is a elevation thereof; similar to FIG. 2; shown in partial sectional cut for clarity of illustration;
 FIG. 6 is an exploded front elevation thereof; shown for clarity of illustration;
 FIG. 7 is a front elevation shown in an enlarged scale with a stacking container; and,
 FIG. 8 is an exploded fragmentary sectional view; showing sealing means of the container.
 The broken line showing of a stacked container in FIG. 7 is shown for illustrative purposes only and form no part of the claimed design.



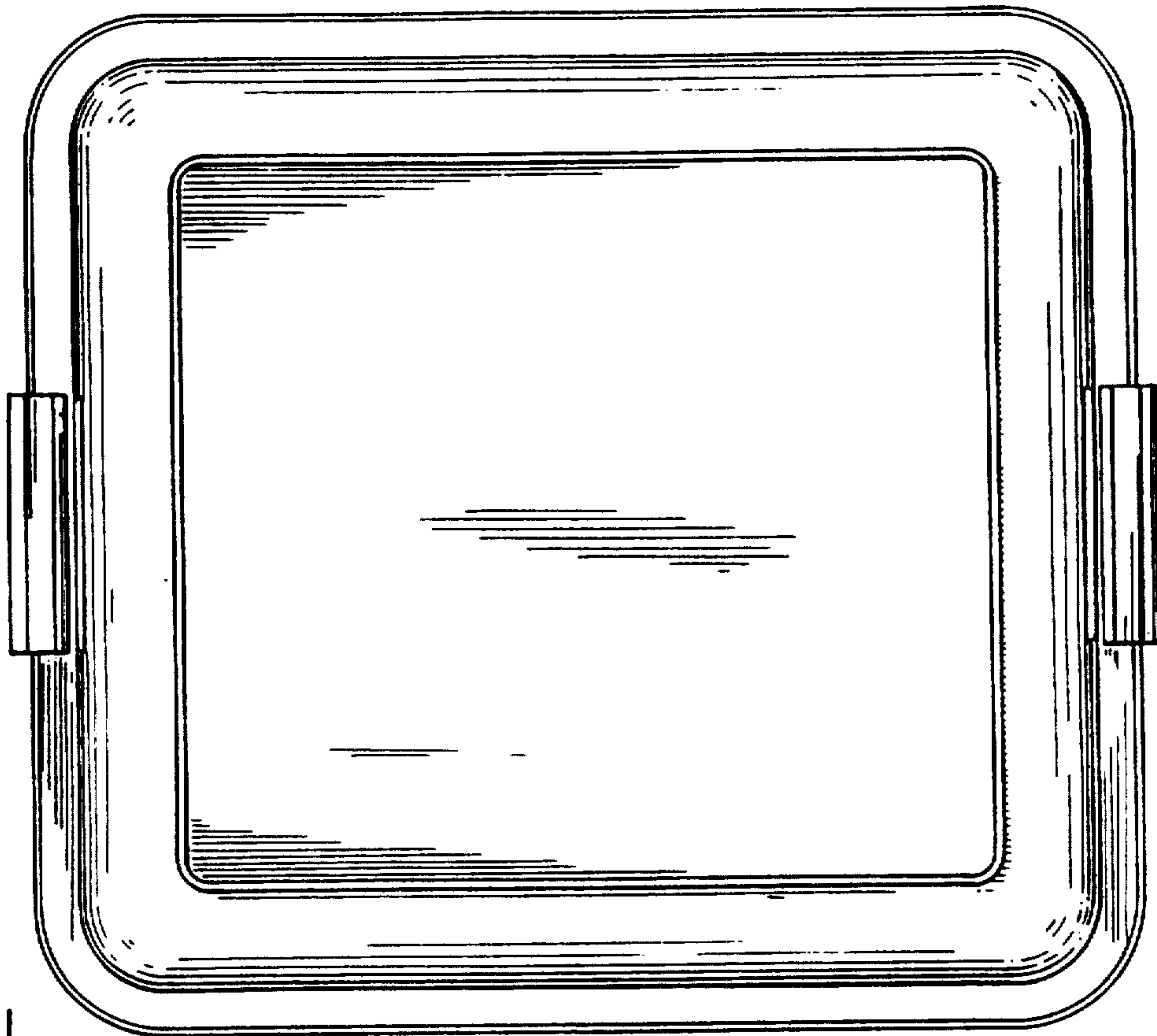


FIG. 1

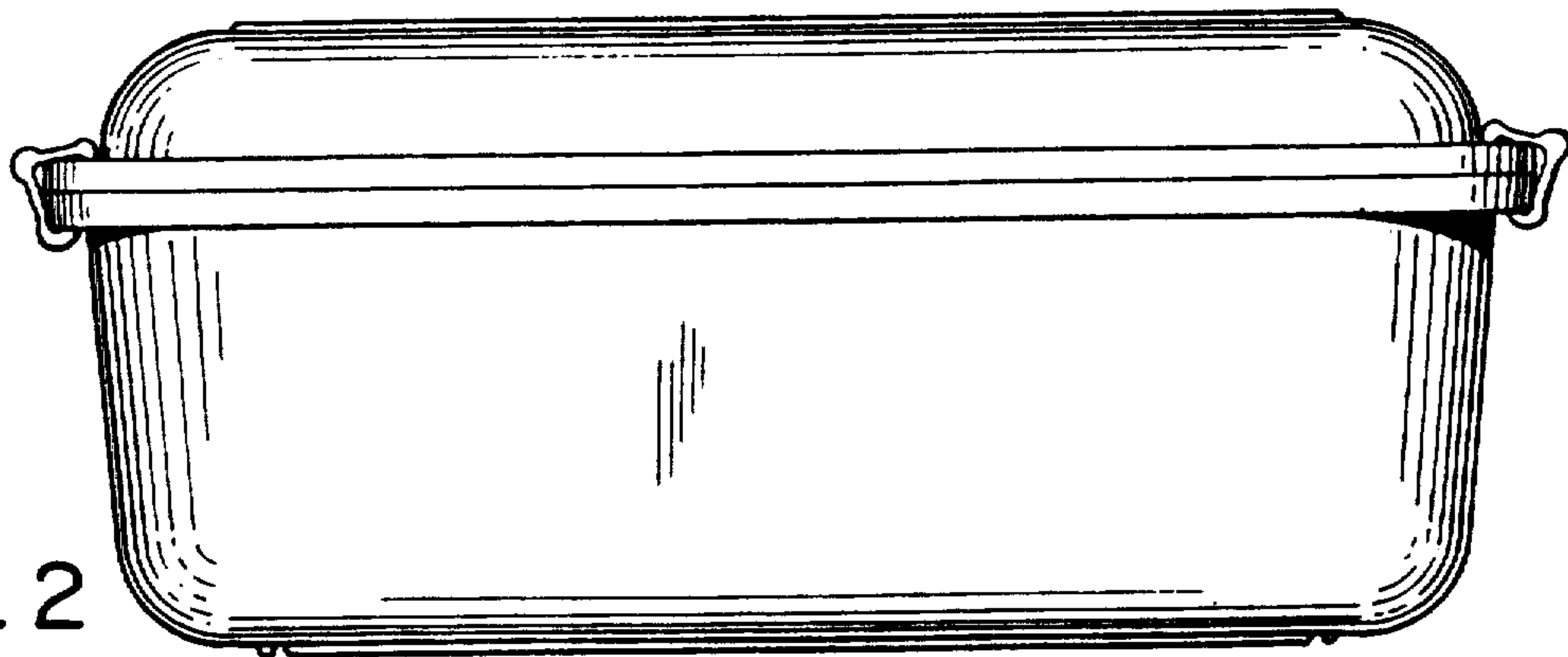


FIG. 2

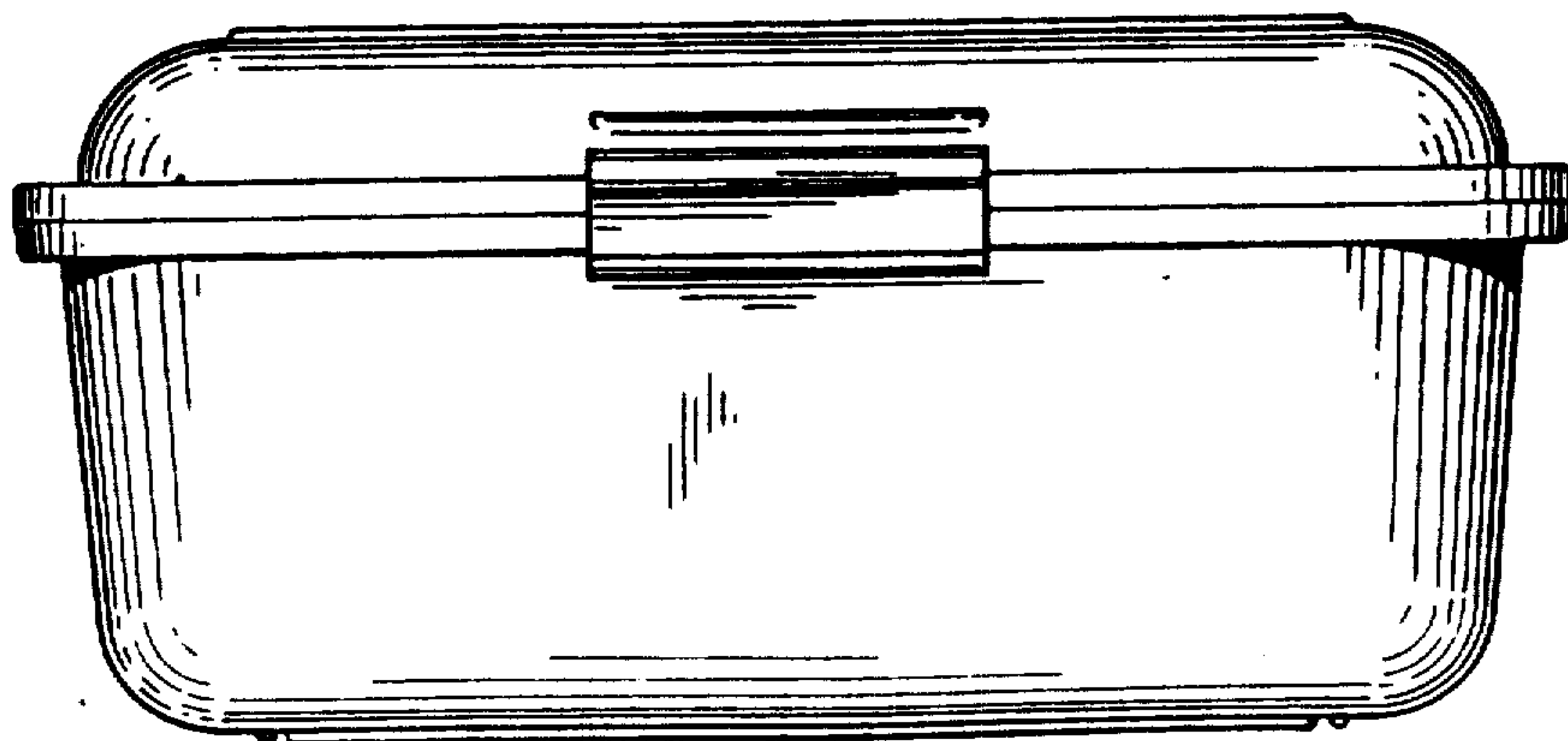


FIG. 3

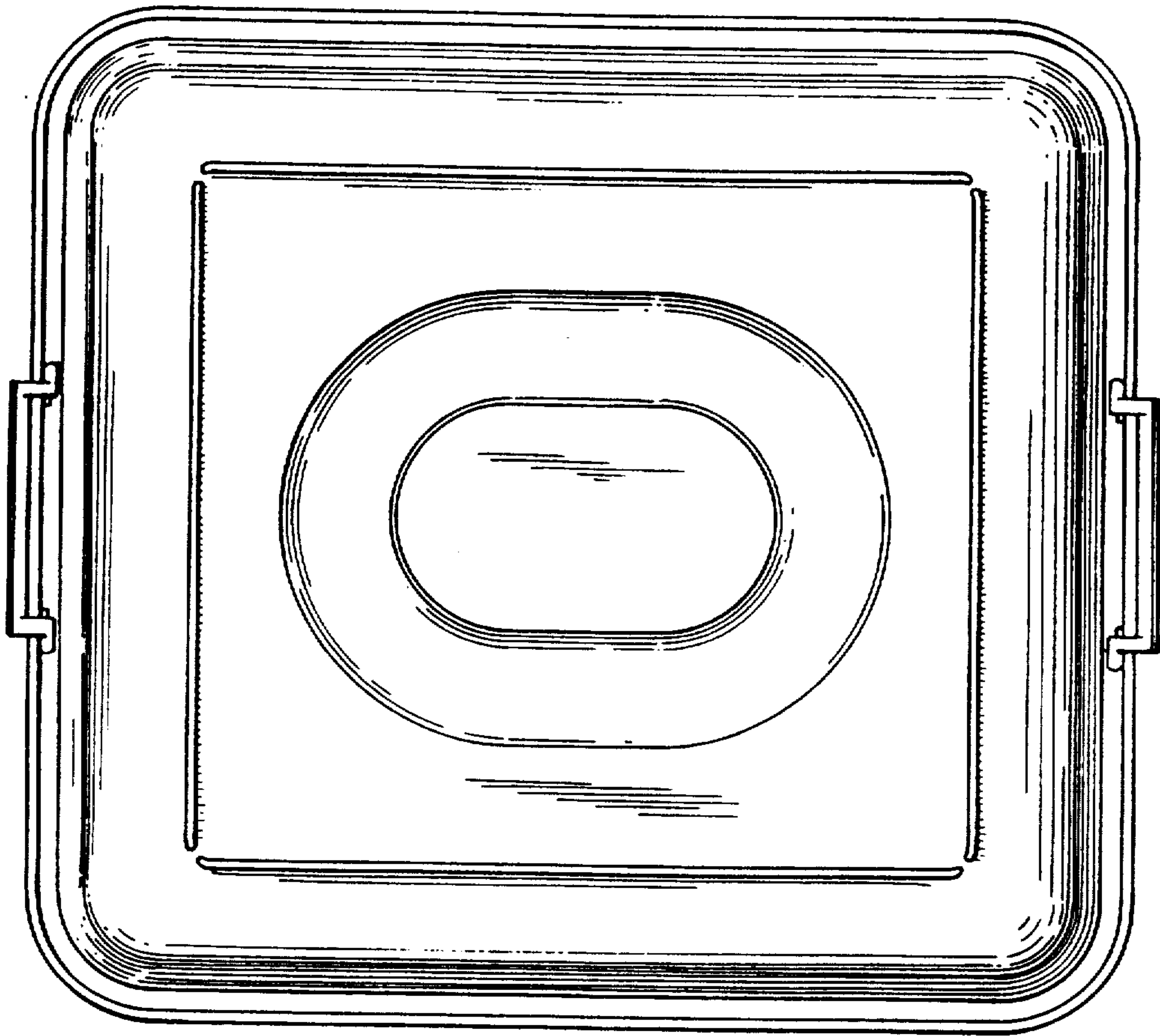


FIG. 4

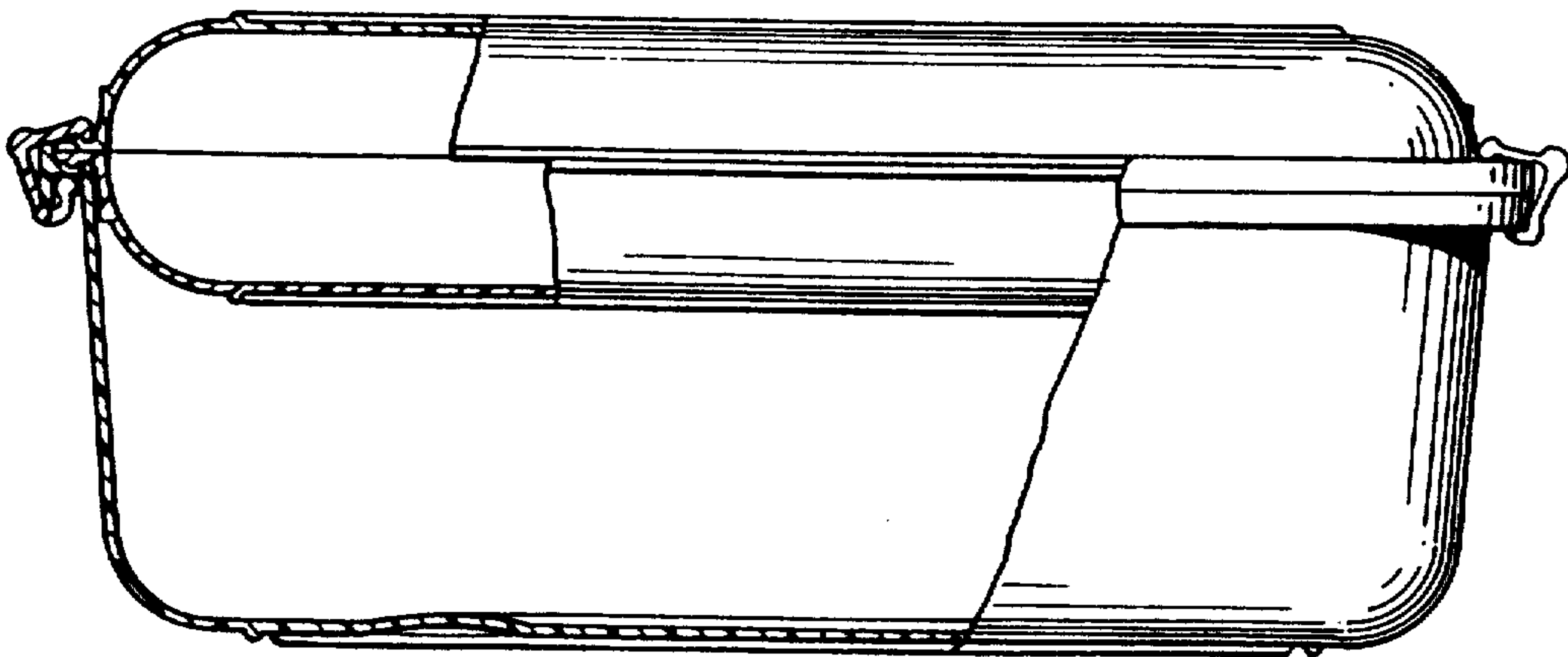


FIG. 5

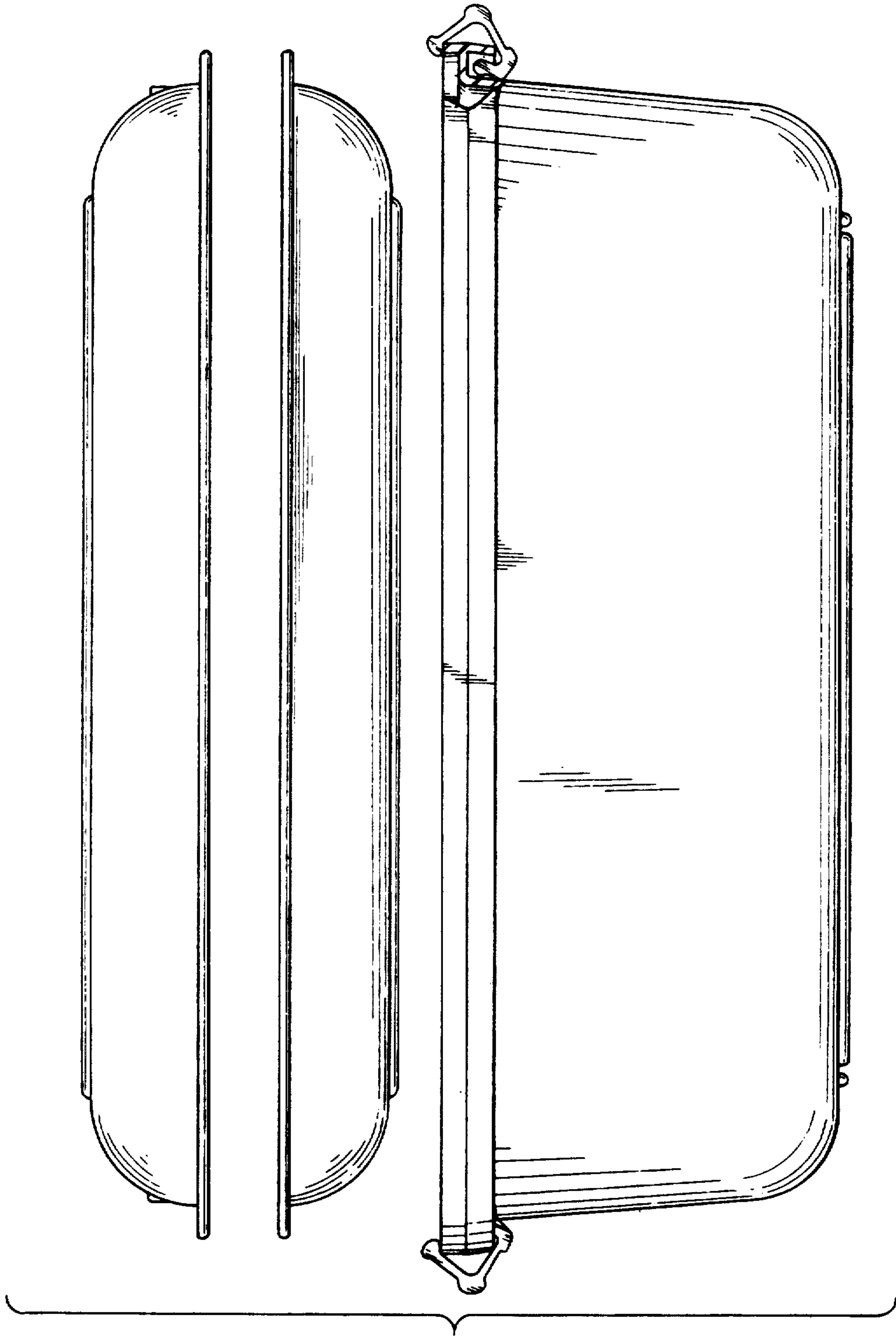


FIG. 6

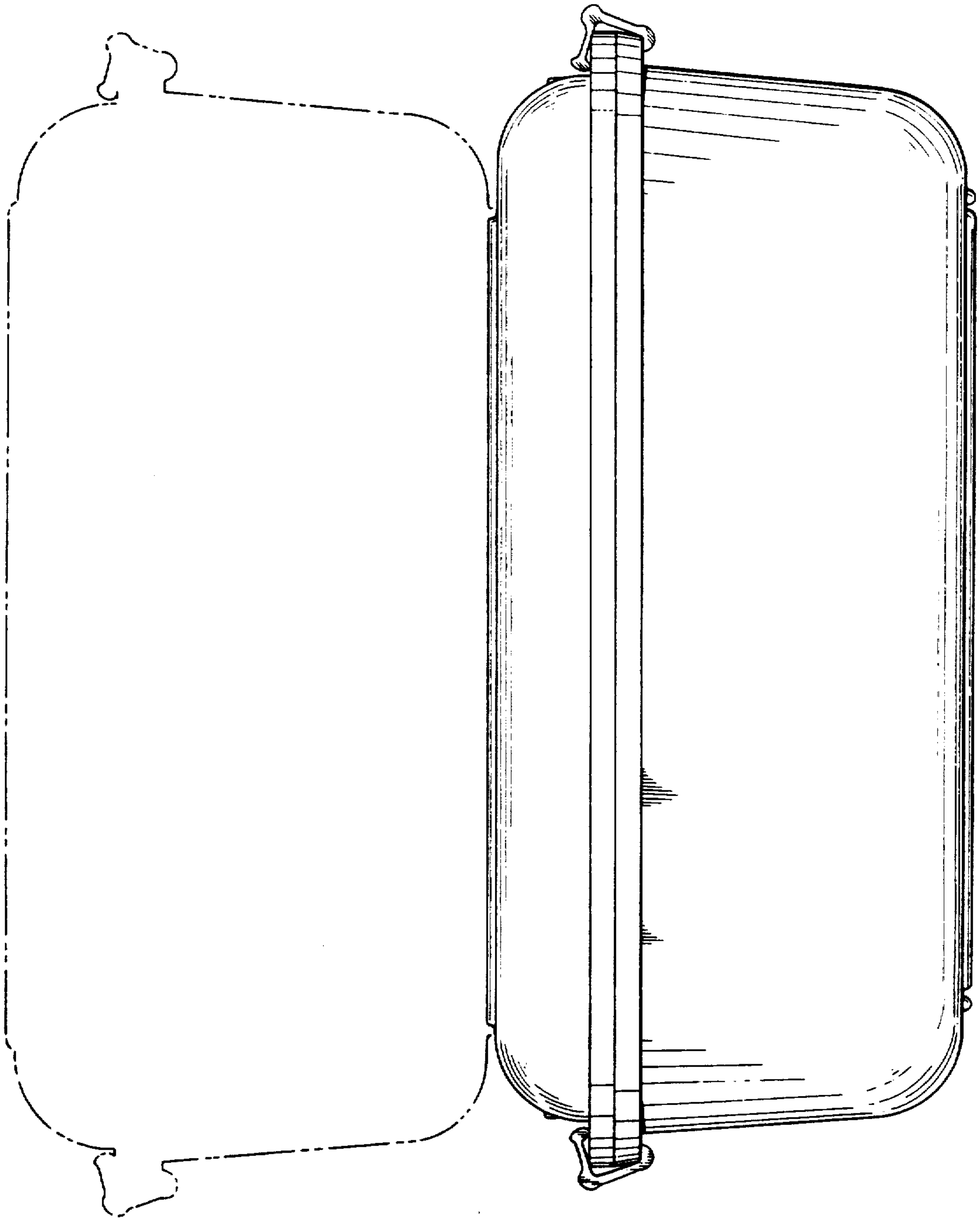


FIG. 7

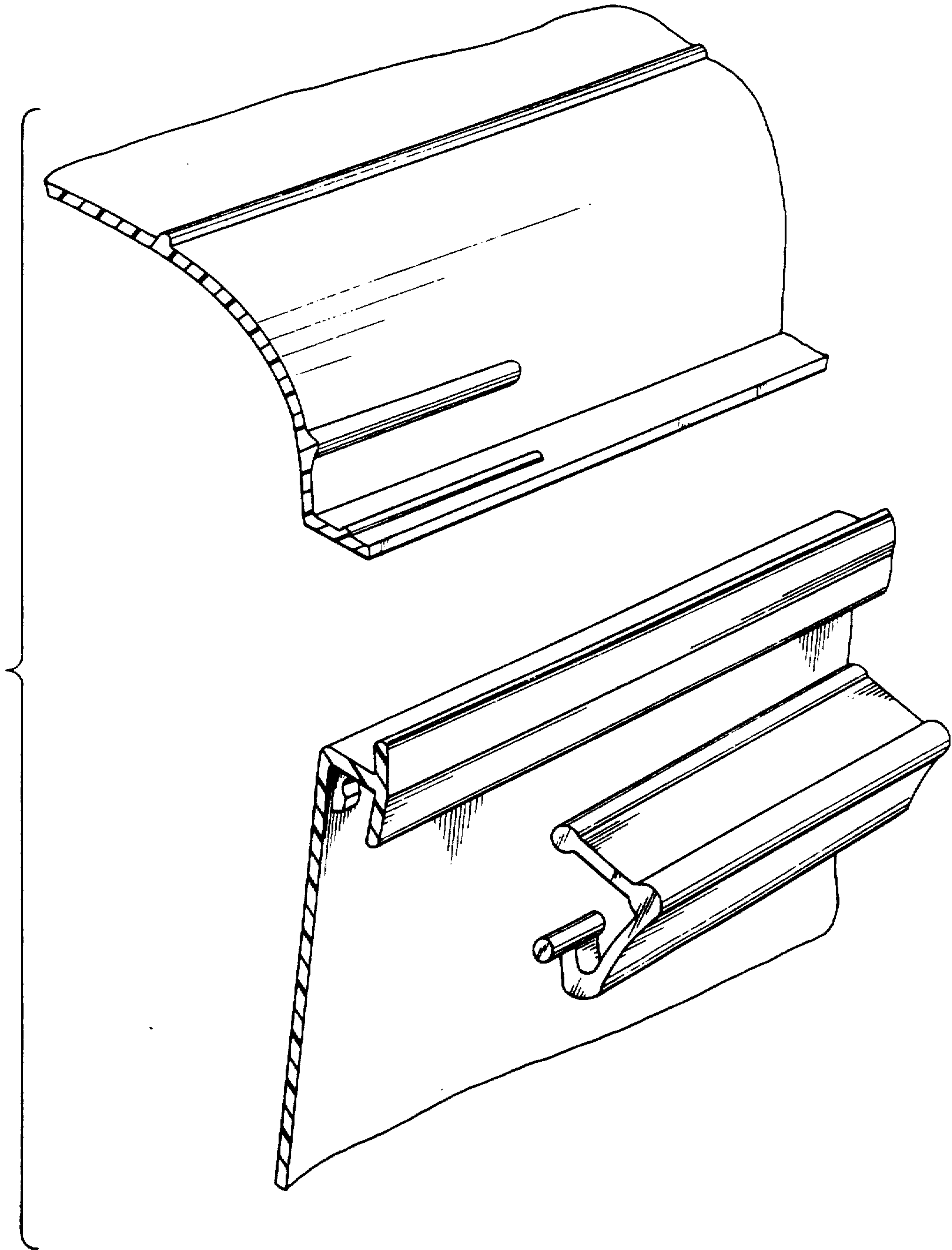


FIG. 8