



US00D328024S

# United States Patent [19]

[11] Patent Number: **Des. 328,024**

Grubicy et al.

[45] Date of Patent: **\*\* Jul. 21, 1992**

[54] **COMBINED CABLE STACKING AND POSITIONING DEVICE**

[56] **References Cited**

### U.S. PATENT DOCUMENTS

D. 297,110 8/1988 Zagorski ..... D8/349  
4,660,790 4/1987 Muz ..... 248/68.1

[75] Inventors: **Claudio A. Grubicy**, Cedar Park;  
**Thomas P. Johnson**; **John L. Zuercher**, both of Austin, all of Tex.

*Primary Examiner*—Wallace R. Burke  
*Assistant Examiner*—H. Baynham  
*Attorney, Agent, or Firm*—Gary L. Griswold; Walter N. Kirn; John C. Barnes

[73] Assignee: **Minnesota Mining and Manufacturing Company**, St. Paul, Minn.

[57] **CLAIM**

The ornamental design for a combined cable stacking and positioning device, as shown.

[\*\*] Term: **14 Years**

### DESCRIPTION

[21] Appl. No.: **595,374**

FIG. 1 is a perspective view showing the top, front, and right side of a combined cable stacking and positioning device, showing our new design;

[22] Filed: **Oct. 2, 1990**

FIG. 2 is a front elevational view thereof;

[52] U.S. Cl. .... **D8/356**

FIG. 3 is a rear elevational view thereof;

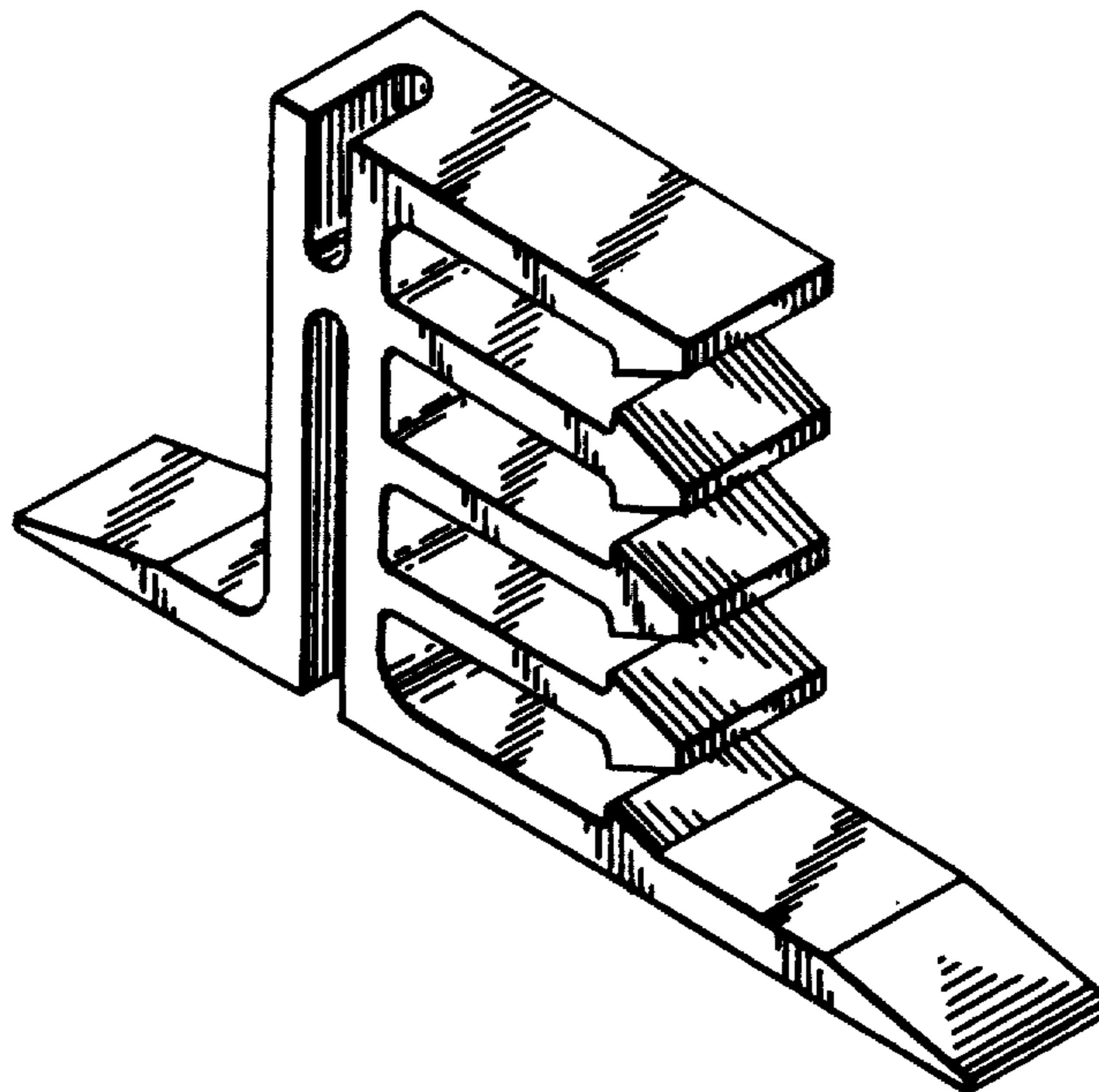
[58] Field of Search ..... D8/356, 354, 349, 357,  
D8/395-396; 248/74.2, 68.1, 74.4, 73; 24/16  
PB, 127, 129 R

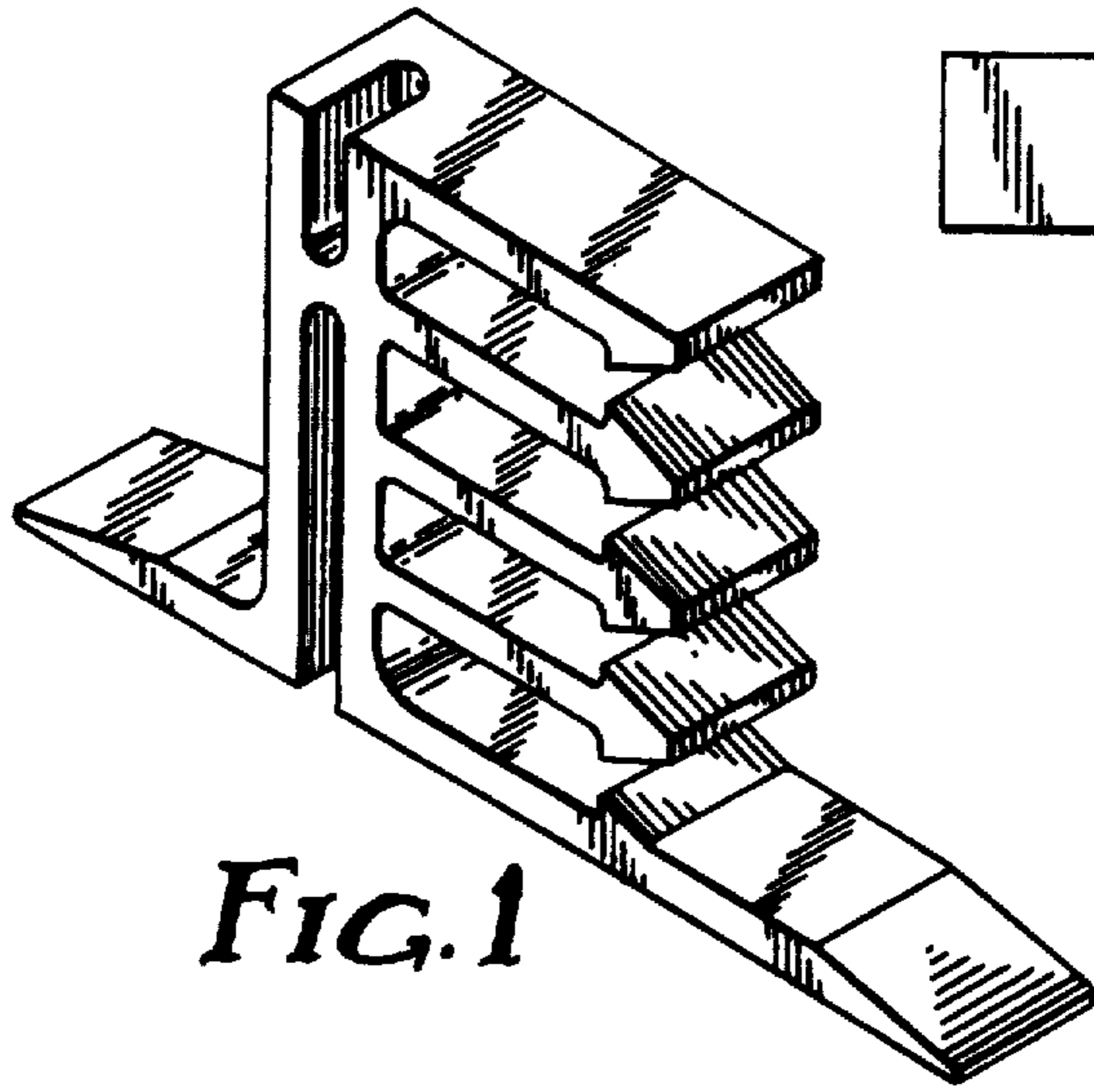
FIG. 4 is a left side elevational view thereof;

FIG. 5 is a right side elevational view thereof;

FIG. 6 is a top plan view thereof; and,

FIG. 7 is a bottom plan view thereof.





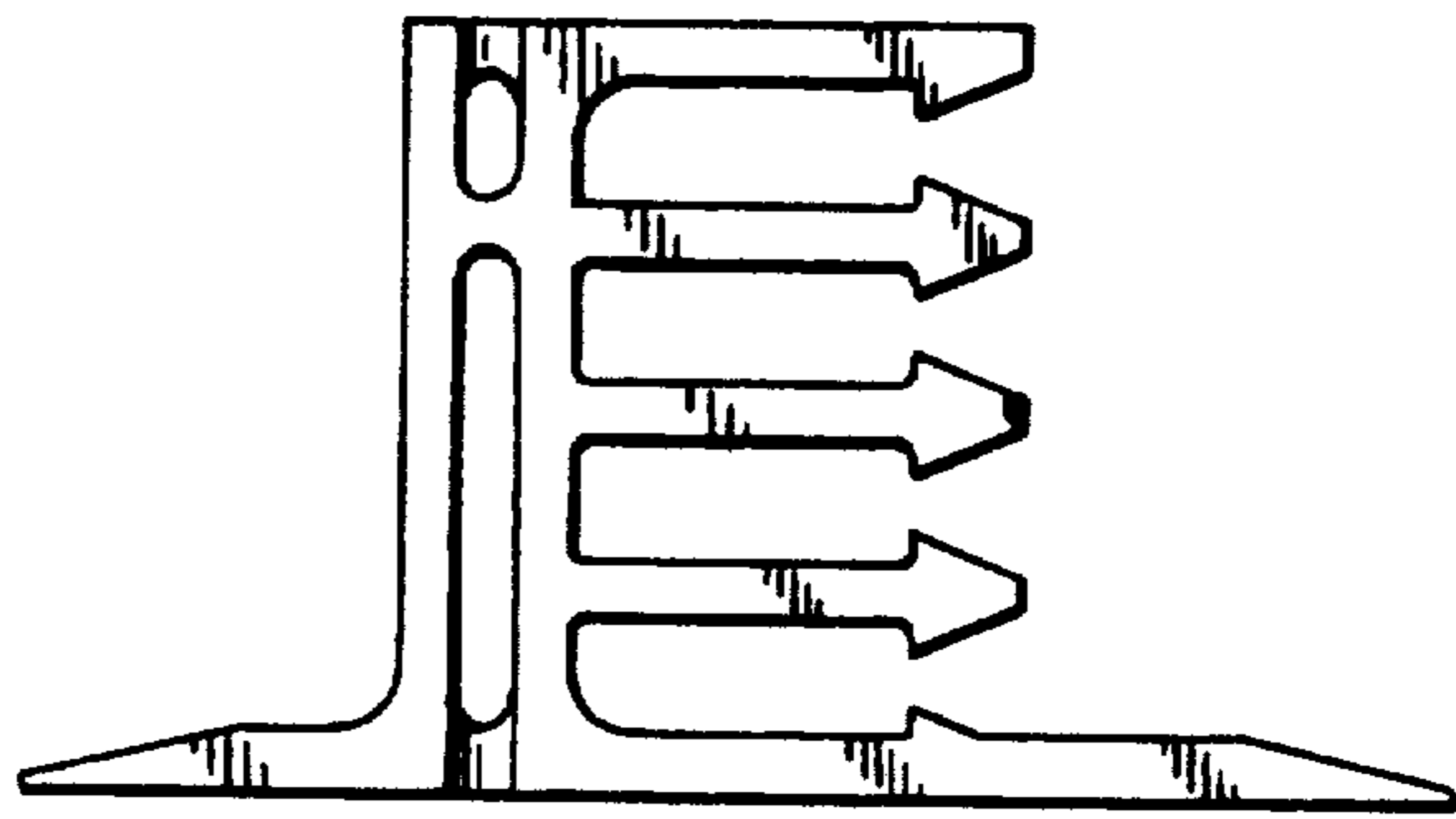
*FIG. 1*



*FIG. 6*



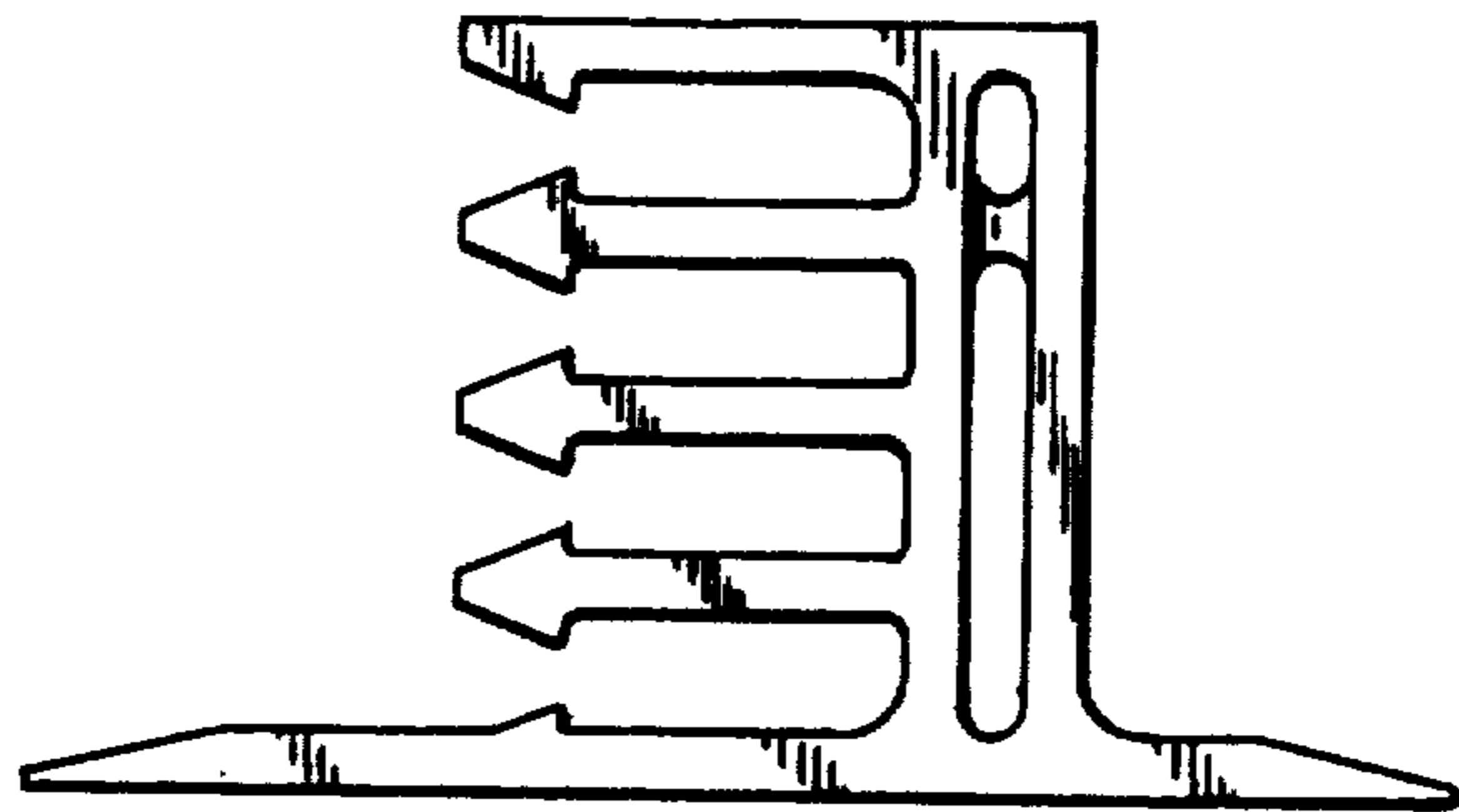
*FIG. 4*



*FIG. 2*

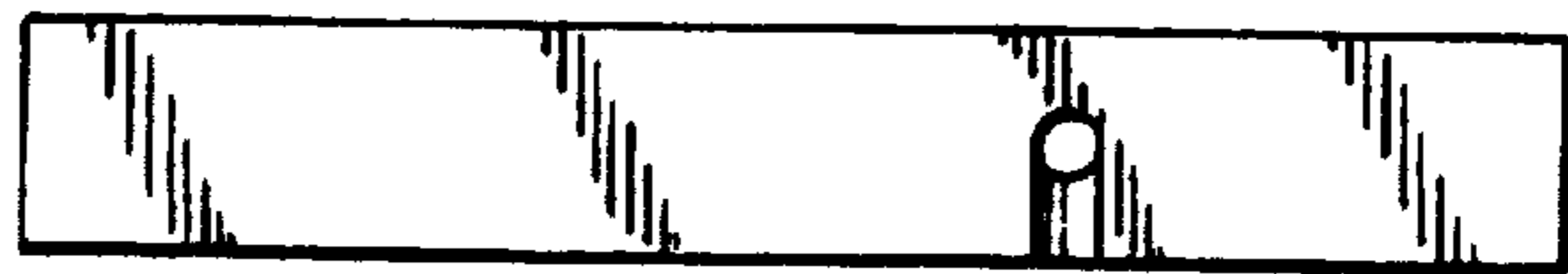


*FIG. 5*



*FIG. 3*

*FIG. 7*



UNITED STATES PATENT AND TRADEMARK OFFICE  
**CERTIFICATE OF CORRECTION**

PATENT NO. : Des. 328,024

DATED : July 21, 92

INVENTOR(S) : Caludio A. Grubicy, et. al.

It is certified that error appears in the above-identified patent and that said Letters Patent is hereby corrected as shown below:

Item [56], col. 2,

Column Cover Page, Line References Cited, "U.S. Patent Documents" --should include DES 207,057  
2/28/67-Palmer.....D26/10--.

Column Cover Page, Line References Cited, "U.S. Patent Documents" --should include 4,903,920  
2/27/90-Merritt.....248/71--.

Signed and Sealed this  
Third Day of January, 1995



BRUCE LEHMAN

*Commissioner of Patents and Trademarks*

*Attest:*

*Attesting Officer*