



US00D328023S

# United States Patent [19]

[11] Patent Number: **Des. 328,023**

Allison

[45] Date of Patent: **\*\* Jul. 21, 1992**

[54] **WIRE CLIP**

[75] Inventor: **Johnny H. Allison, Redford, Mich.**

[73] Assignee: **Ford Motor Company, Dearborn, Mich.**

[\*\*] Term: **14 Years**

[21] Appl. No.: **628,861**

[22] Filed: **Dec. 10, 1990**

[52] U.S. Cl. .... **D8/356; D8/396**

[58] Field of Search ..... **D8/356, 383, 394, 395, D8/396, 354; 24/16 DB, 336; 248/68.1, 71, 73, 74.1, 74.2-74.3; 174/175**

3,049,585 8/1962 Cochran .  
 3,090,826 5/1963 Cochran ..... 248/74.3 X  
 3,154,278 10/1964 Becker ..... 248/73  
 3,980,263 9/1976 Okuda ..... 248/73  
 4,325,526 4/1982 Kitagawa .

*Primary Examiner*—Wallace R. Burke  
*Assistant Examiner*—H. Baynham  
*Attorney, Agent, or Firm*—Charles H. Ellerbrock; Roger L. May

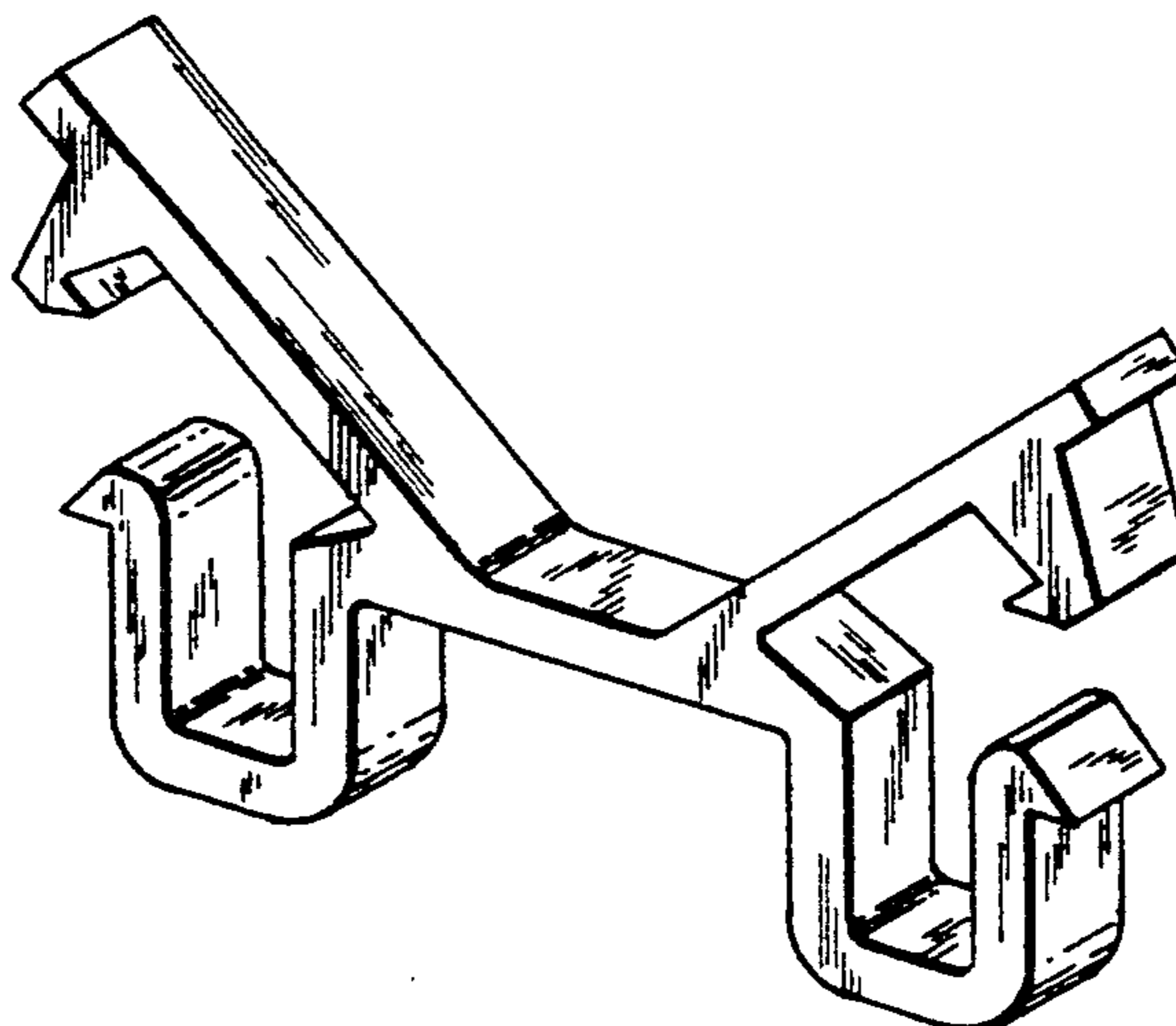
### [57] CLAIM

The ornamental design for a wire clip, as shown.

### DESCRIPTION

FIG. 1 is a front, top, and right side perspective view of a wire clip showing my new design;  
 FIG. 2 is a front elevational view thereof;  
 FIG. 3 is a top plan view thereof;  
 FIG. 4 is a bottom plan view thereof; and,  
 FIG. 5 is a right side elevational view thereof.

[56] **References Cited**  
**U.S. PATENT DOCUMENTS**  
 D. 246,826 1/1978 Ilukowicz ..... D8/354  
 D. 251,179 2/1979 Ilukowicz ..... D8/354



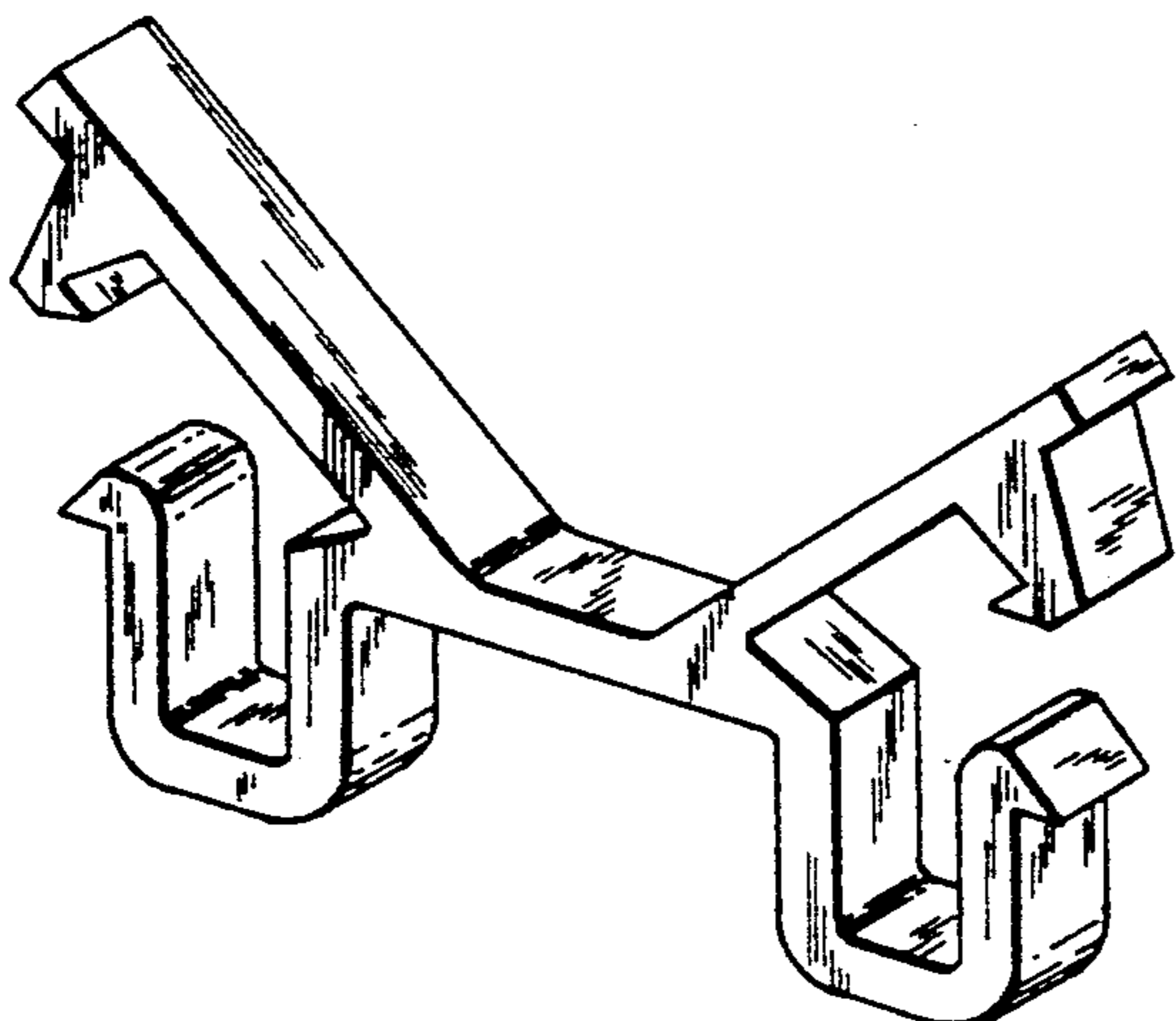


Fig. 1.

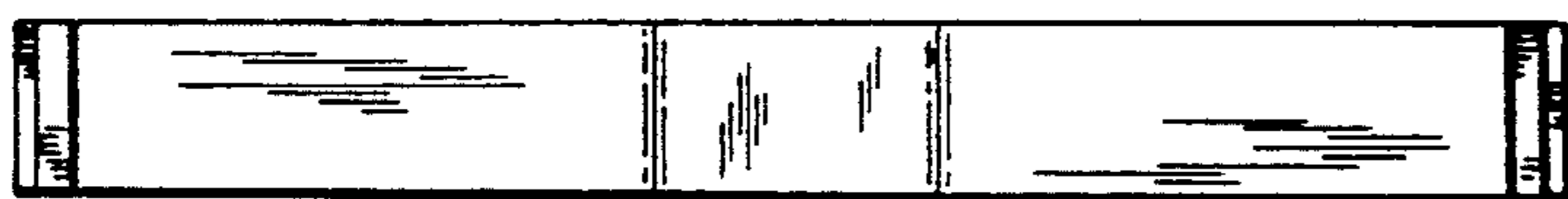


Fig. 3.

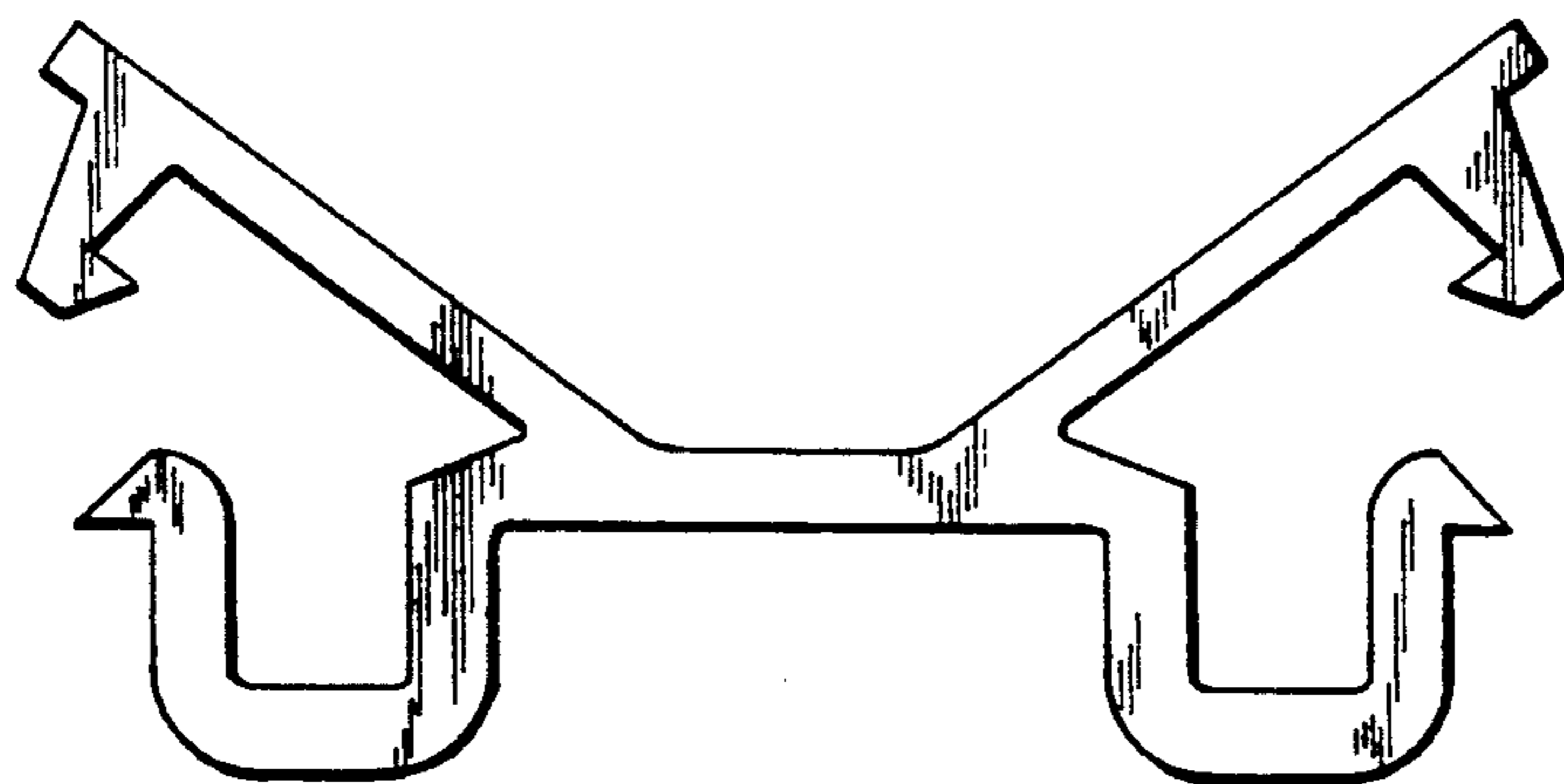


Fig. 2.



Fig. 5.



Fig. 4.