



US00D328017S

# United States Patent [19]

Boeke et al.

[11] Patent Number: **Des. 328,017**

[45] Date of Patent: **\*\* Jul. 21, 1992**

[54] EXTENSION HANDLE FOR WRENCHES

4,644,600 2/1987 Fugate ..... 81/177.2  
4,960,014 10/1990 Kelley ..... 81/177.2

[76] Inventors: **John H. Boeke**, 15141 Old Highway  
80, Elcajon, Calif. 92021; **Glen  
Graves**, 8404 Stansbury St., Spring  
Valley, Calif. 92077

*Primary Examiner*—Bernard Ansher  
*Assistant Examiner*—Philip S. Hyder  
*Attorney, Agent, or Firm*—Leon Gilden

[\*\*] Term: **14 Years**

[57] **CLAIM**

[21] Appl. No.: **423,096**

The ornamental design for an extension handle for wrenches, as shown and described.

[22] Filed: **Oct. 18, 1989**

**DESCRIPTION**

[52] U.S. Cl. .... **D8/21**

[58] Field of Search ..... **D8/14, 21, 107;**  
81/177.2, 177.1, 177.85, 177.9; 294/92

FIG. 1 is a left side elevational view of an extension handle for wrenches showing my new design; FIG. 2 is a right side elevational view thereof; FIG. 3 is a rear elevational view thereof; FIG. 4 is a front elevational view thereof; FIG. 5 is a top plan view thereof; FIG. 6 is a bottom plan view thereof; FIG. 7 is an enlarged top plan view of the handle portion thereof; FIG. 8 is an enlarged side elevational view of the handle portion thereof; and, FIG. 9 is a perspective view thereof.

[56] **References Cited**

**U.S. PATENT DOCUMENTS**

D. 312,031	11/1990	McCleary	.....	D8/21
1,371,533	3/1921	Wright	.....	81/177.2
1,689,639	9/1928	Neff	.....	81/177.2
2,490,739	12/1949	Nesbitt	.....	81/177.2
3,769,863	11/1973	Griffin	.....	81/177.2
4,104,935	8/1978	Stoops	.....	81/177.2

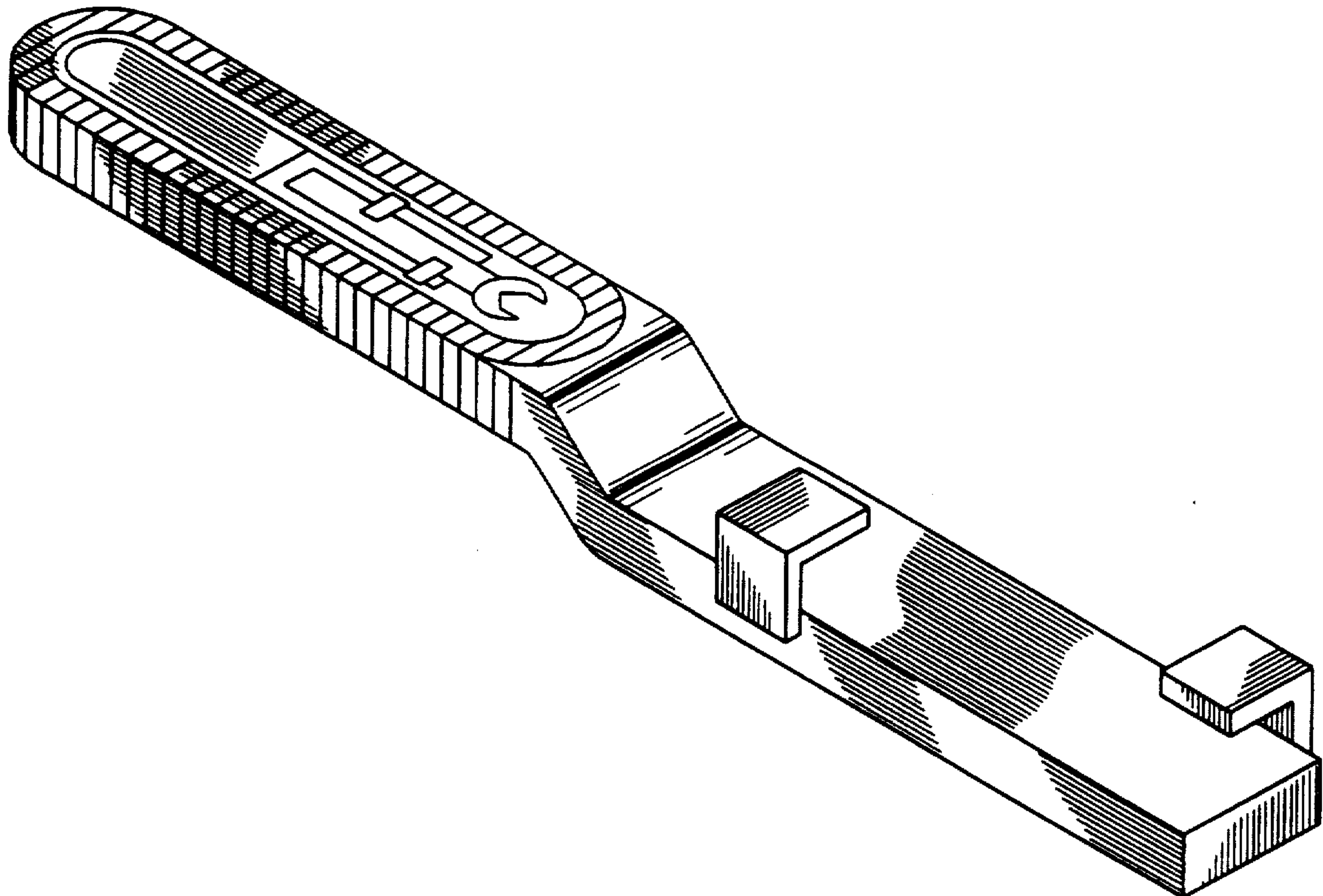


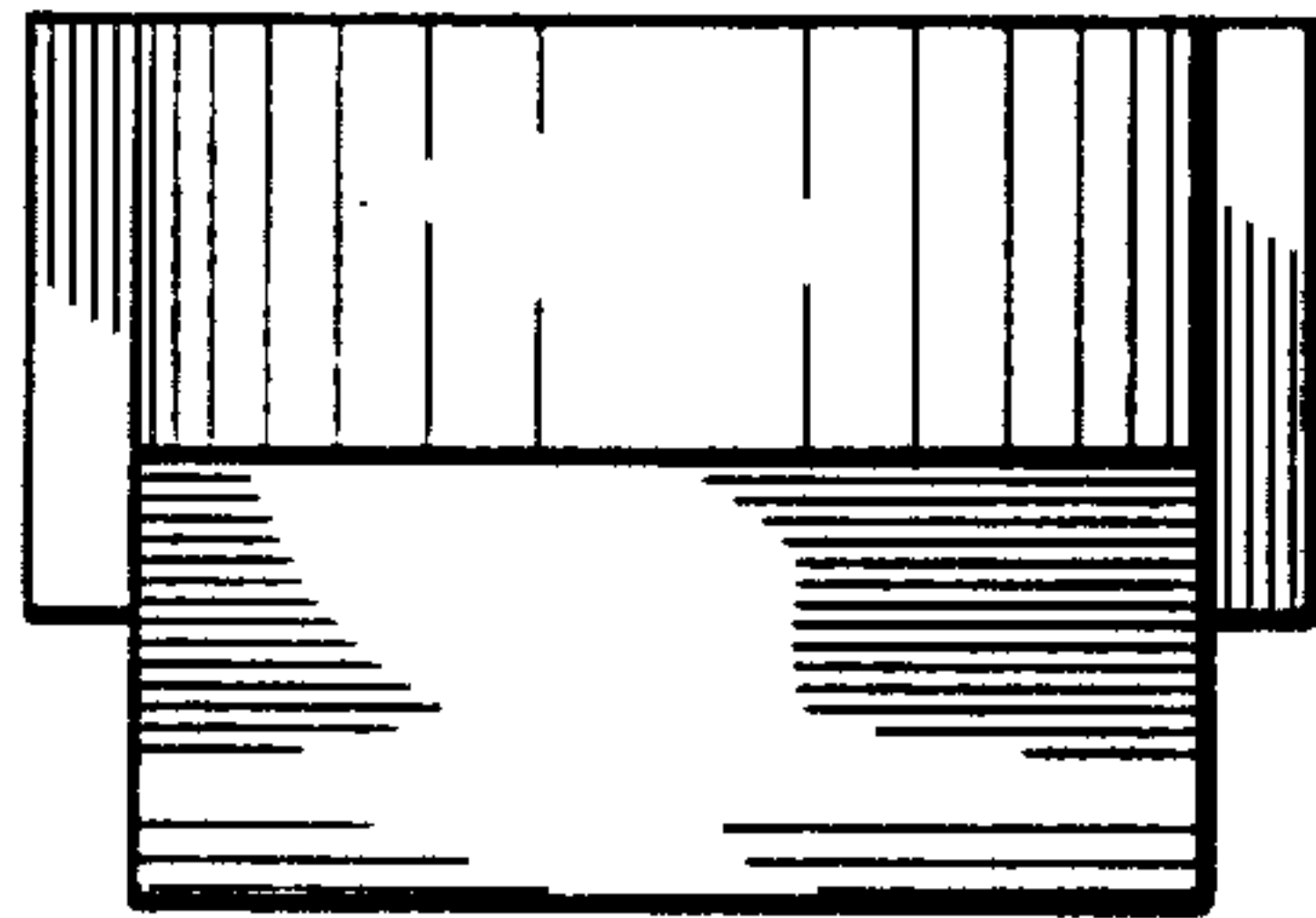
FIG. 1



FIG. 2



*FIG. 3*



*FIG. 4*

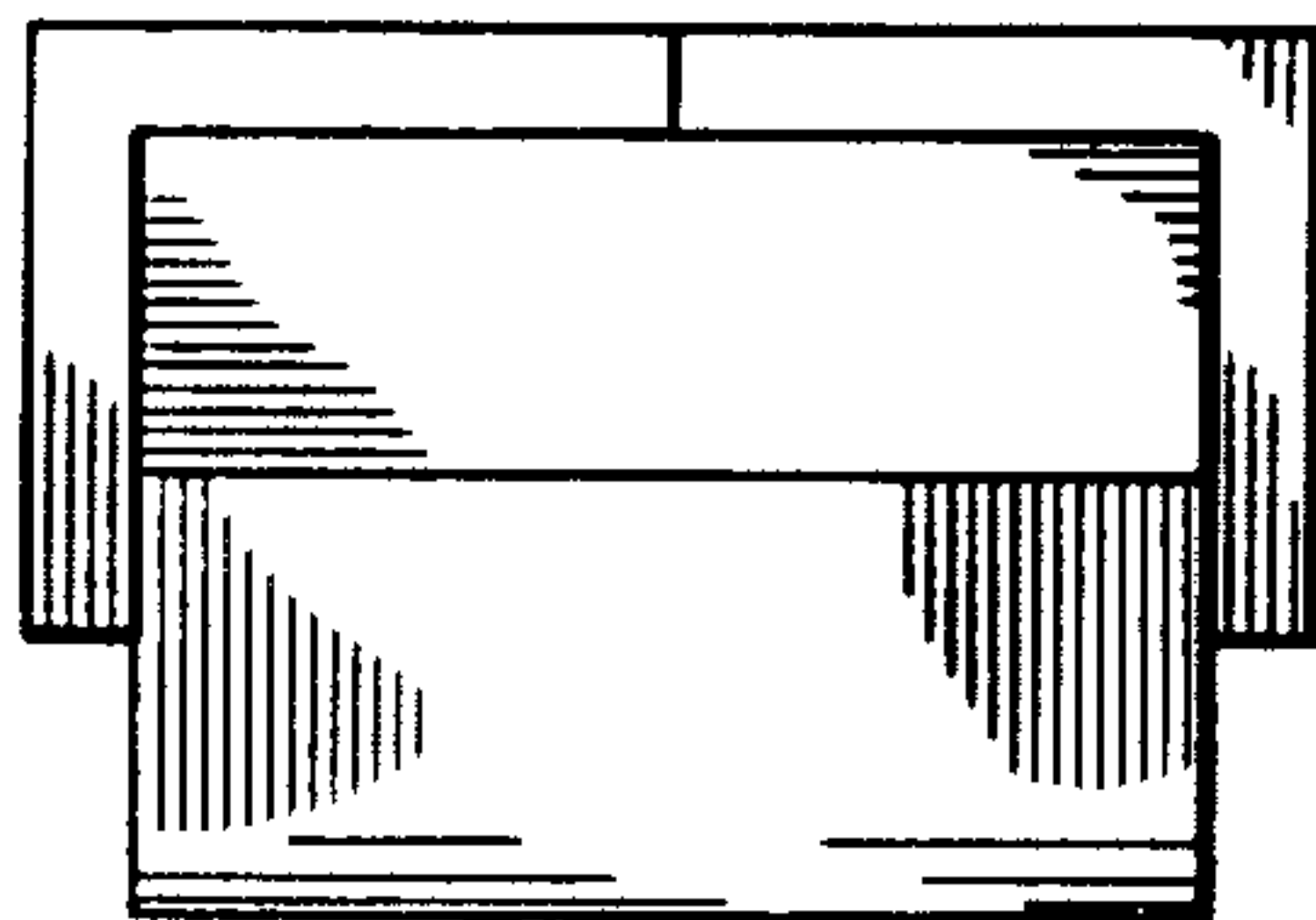


FIG. 5



FIG. 6



FIG. 7

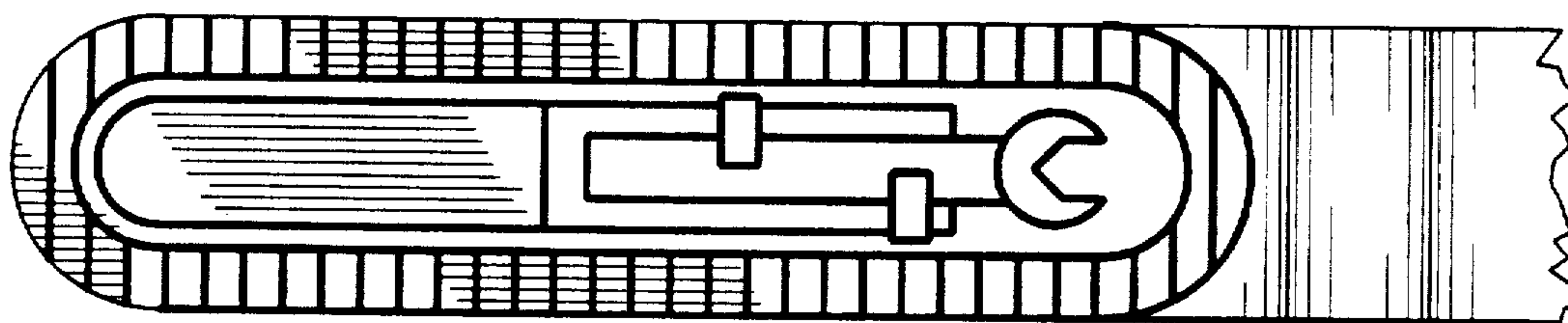


FIG. 8



FIG. 9

