



US00D328015S

# United States Patent [19] Hall

[11] Patent Number: **Des. 328,015**

[45] Date of Patent: **\*\* Jul. 21, 1992**

[54] LUNCH BOX

[76] Inventor: **Kweli Hall**, 193 E. 18th St., Chester, Pa. 19013

[\*\*] Term: **14 Years**

[21] Appl. No.: **595,016**

[22] Filed: **Oct. 10, 1990**

[52] U.S. Cl. .... **D7/629; D7/605**

[58] Field of Search ..... **D7/629, 605-608, D7/626; D3/30.1, 76; 62/457.7; 190/100; 206/223, 541, 545; 220/412**

[56] **References Cited**

**U.S. PATENT DOCUMENTS**

2,766,921 10/1956 Jones et al. .... 220/412 X  
3,071,282 1/1963 Walters ..... 220/412  
3,156,105 11/1964 Bahner ..... 62/457.7

4,630,671 12/1986 Sherman ..... 62/457.7  
4,830,190 5/1989 Inagaki ..... 62/457.7

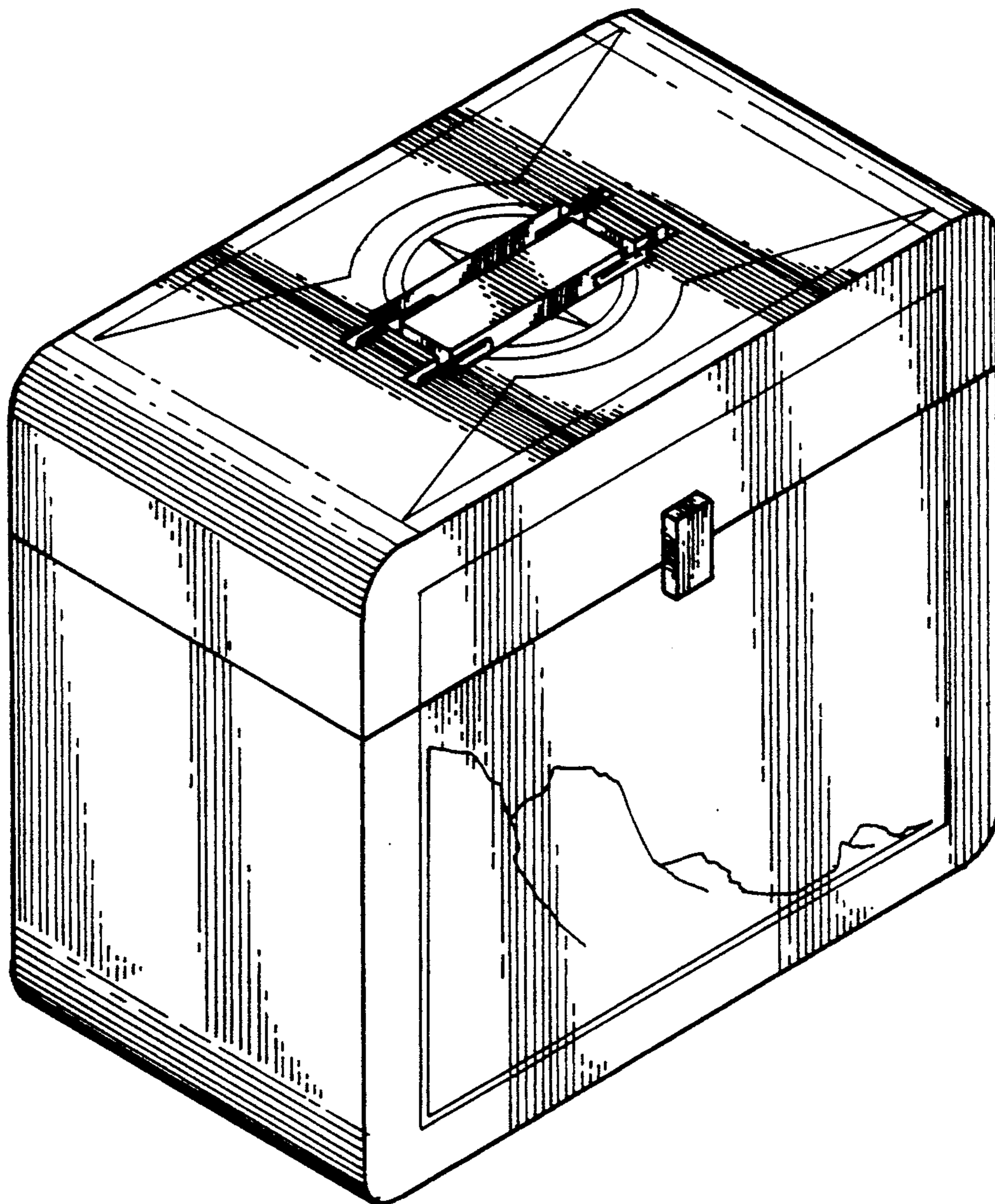
*Primary Examiner*—Terry A. Pfeffer  
*Attorney, Agent, or Firm*—Terry M. Gernstein

[57] **CLAIM**

The ornamental design for a lunch box, as shown and described.

**DESCRIPTION**

FIG. 1 is a perspective view of a lunch box showing my new design;  
FIG. 2 is a front elevational view thereof;  
FIG. 3 is a rear elevational view thereof;  
FIG. 4 is a side elevational view thereof, the side opposite being a mirror image of the side shown in FIG. 4;  
FIG. 5 is a top plan view thereof; and,  
FIG. 6 is a bottom view thereof.



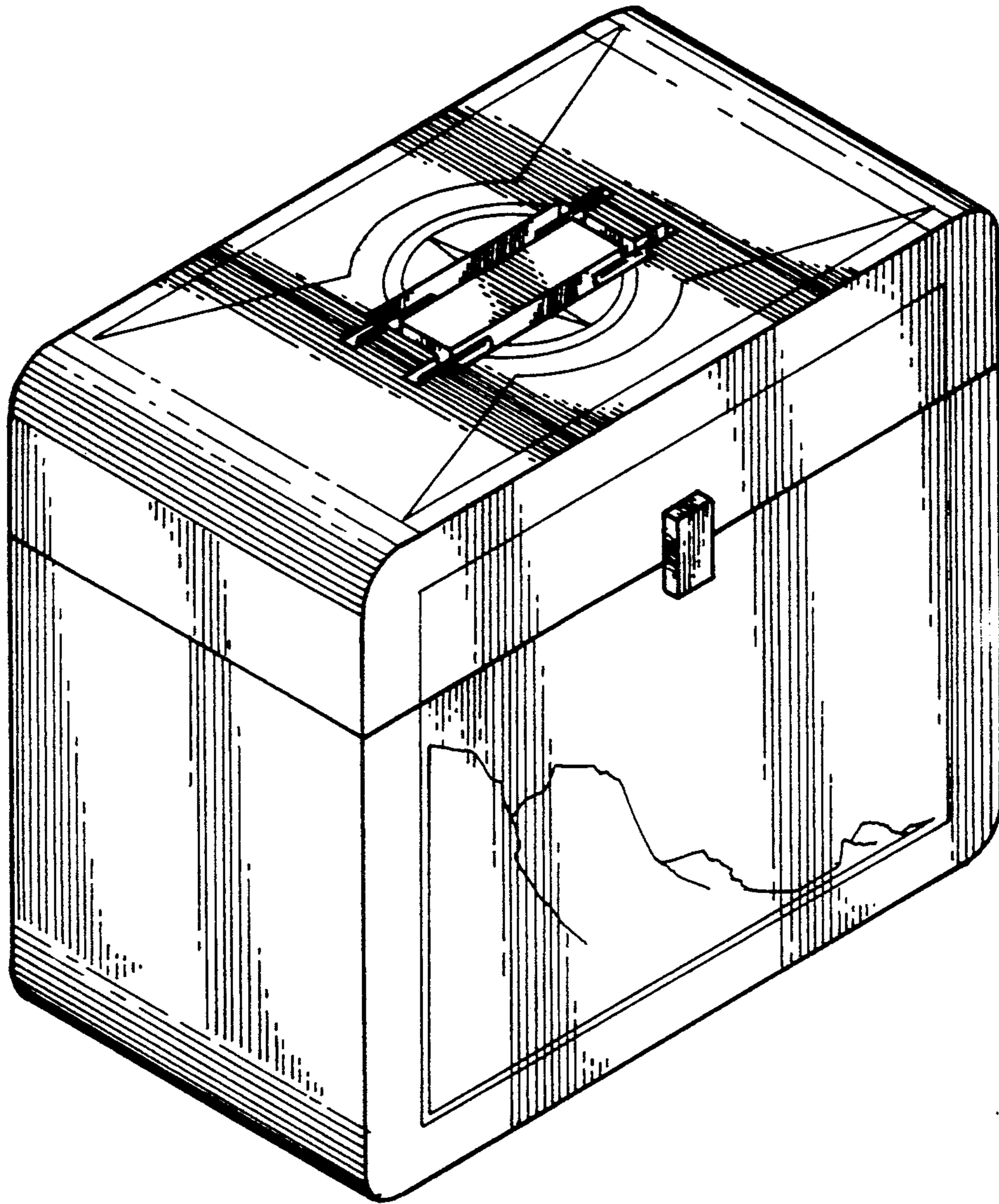


FIG. 1

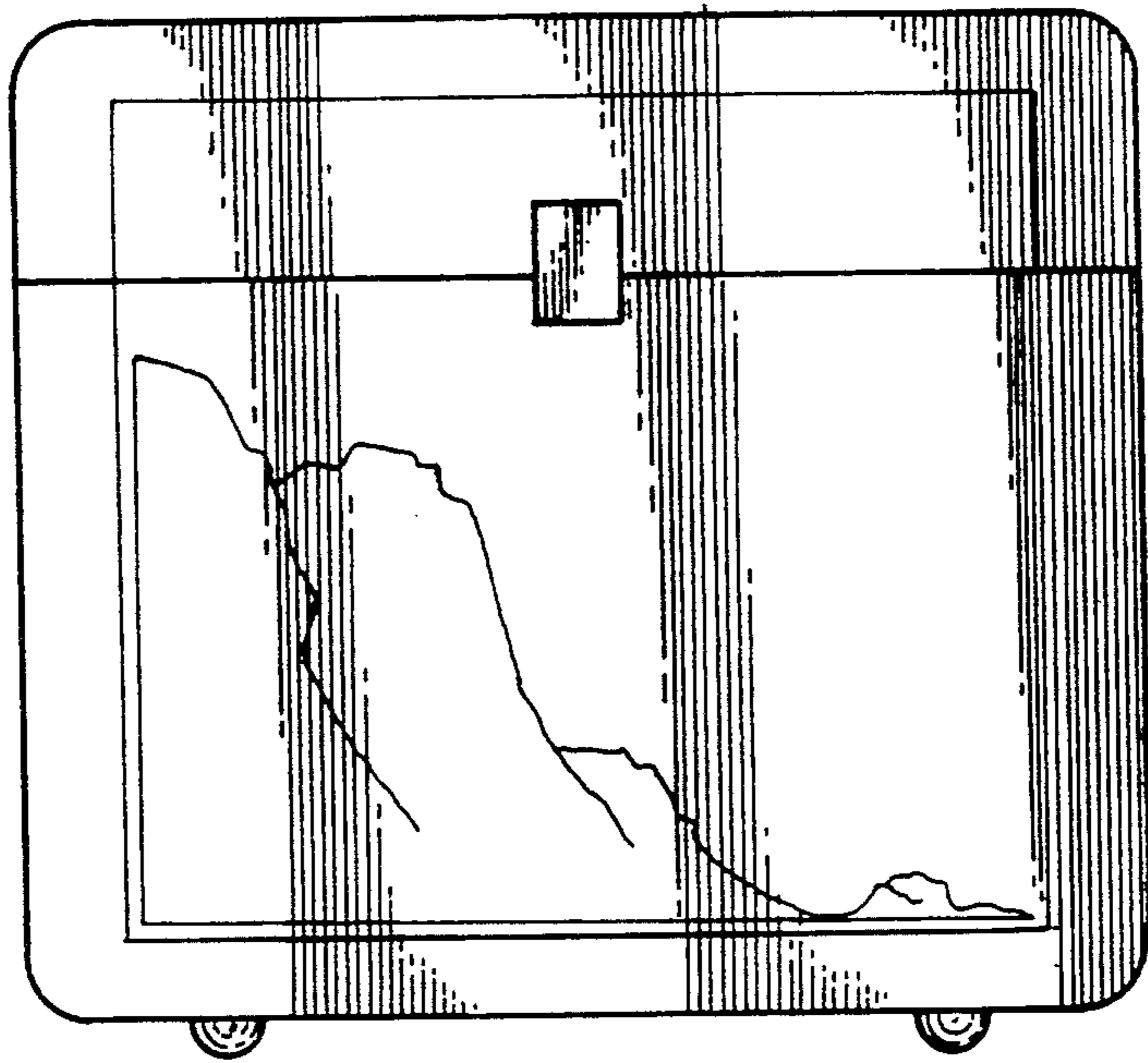


FIG. 2

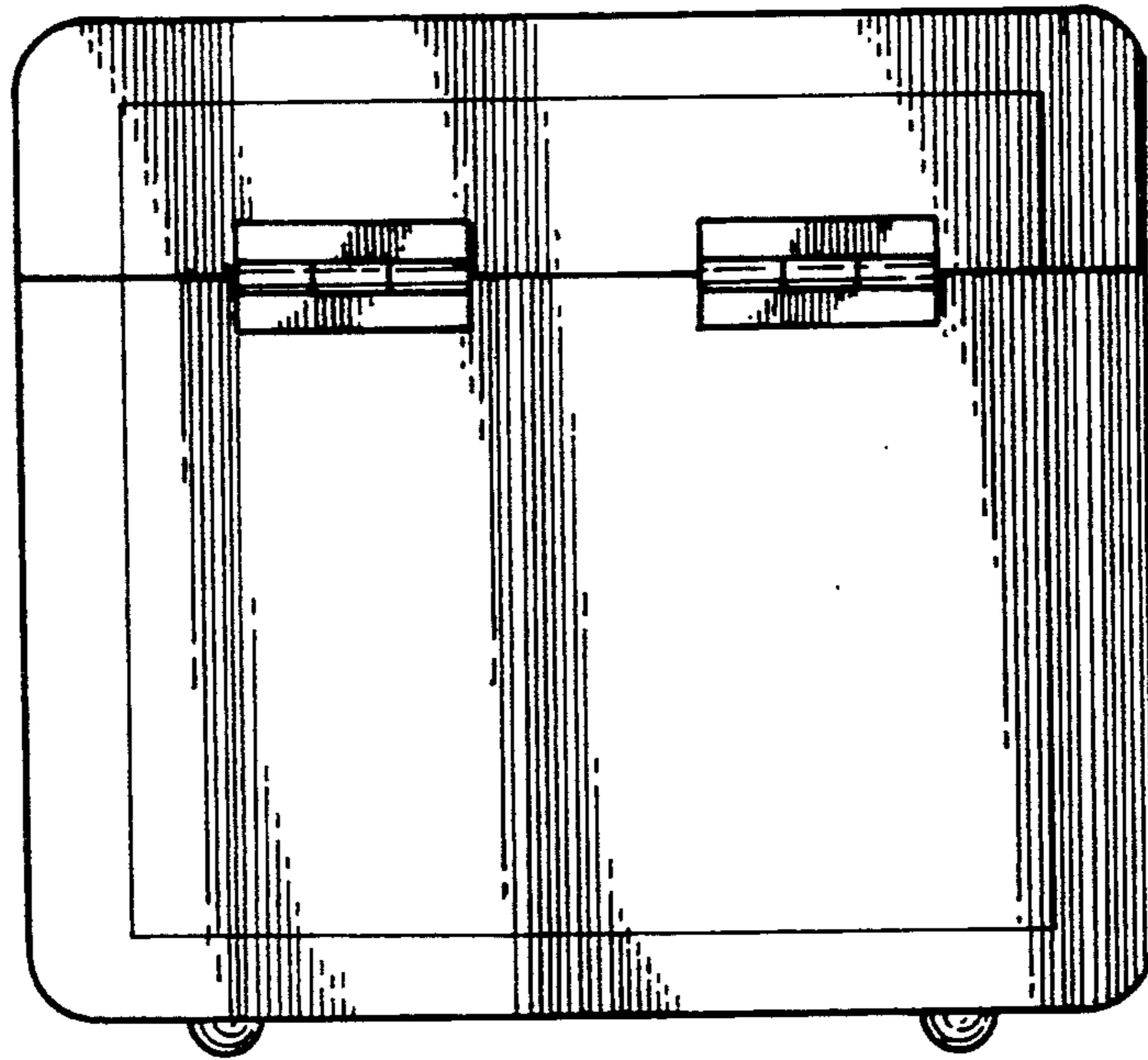


FIG. 3

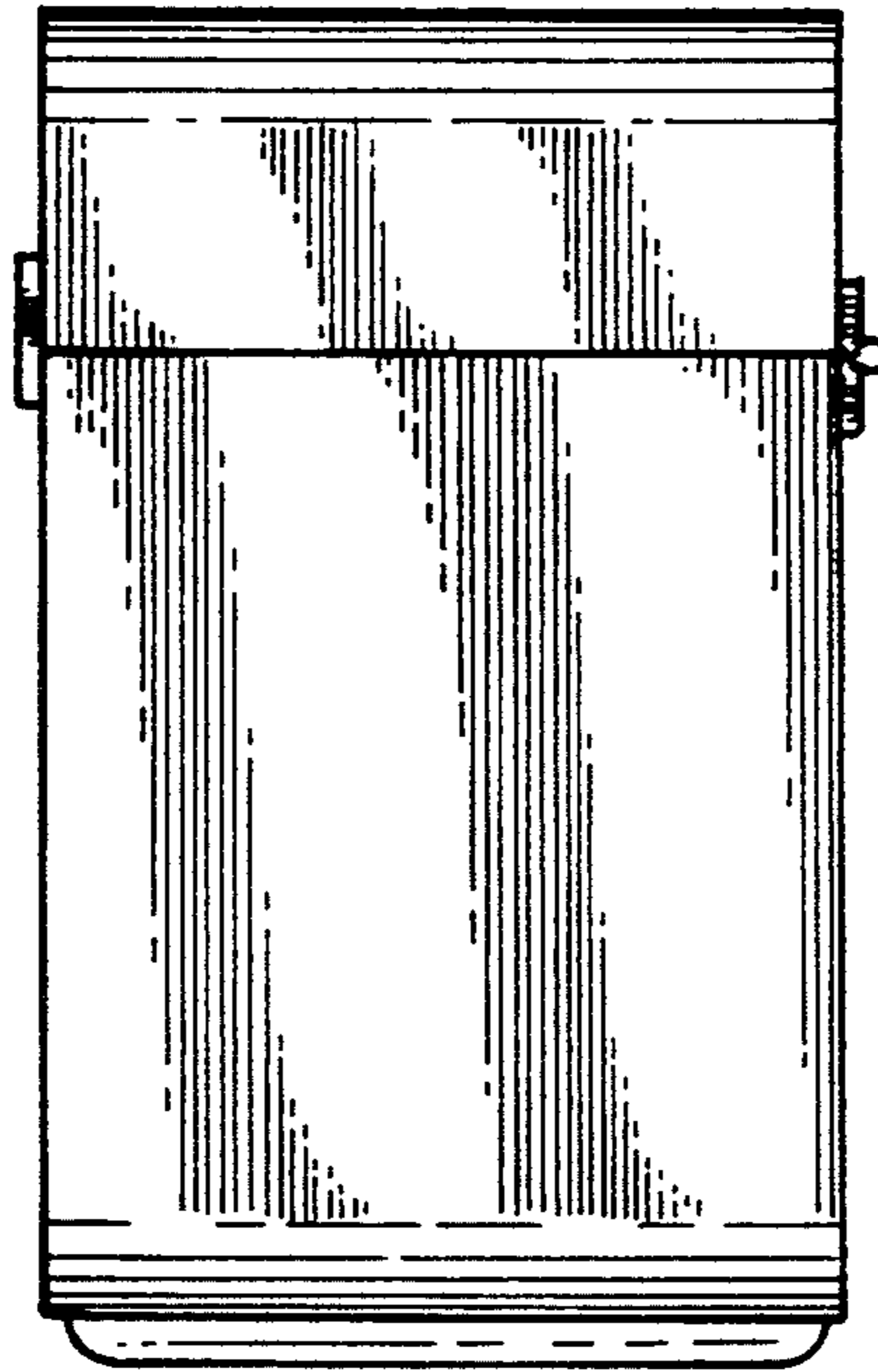


FIG. 4

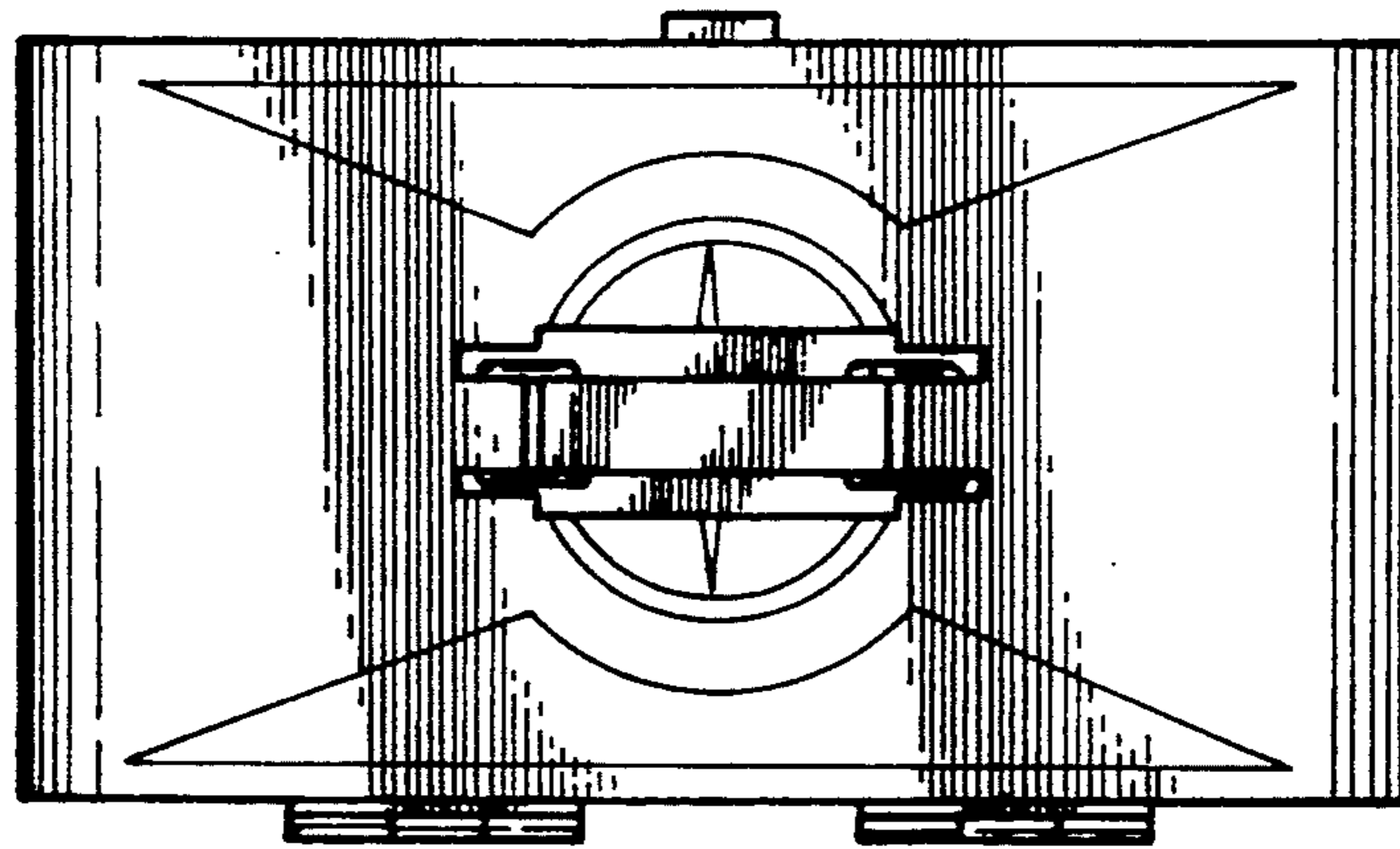


FIG. 5

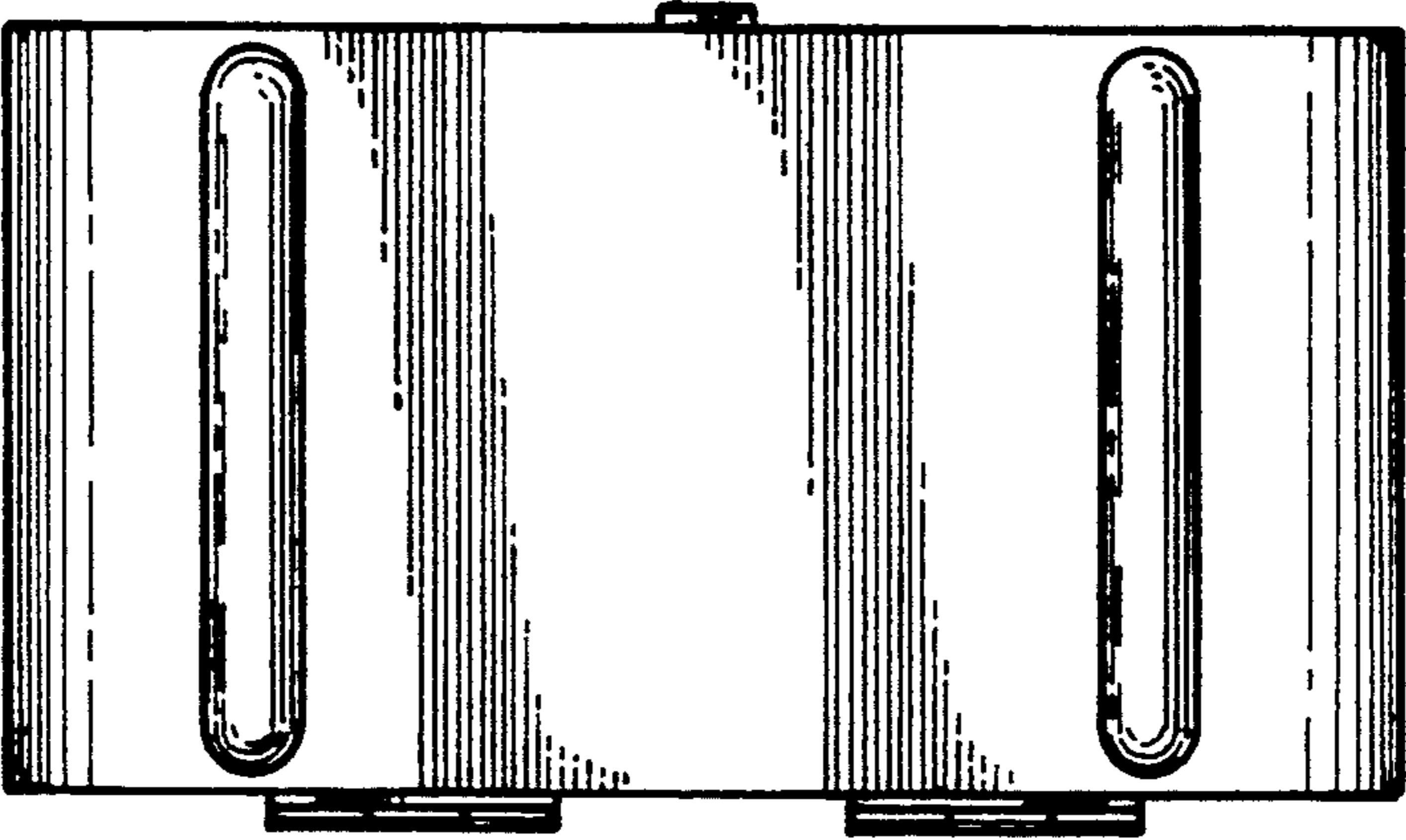


FIG. 6