



US00D328004S

# United States Patent [19]

[11] Patent Number: **Des. 328,004**

Baltic et al.

[45] Date of Patent: **\*\* Jul. 21, 1992**

[54] **FIRE STARTING DEVICE**

[76] Inventors: **Peter P. Baltic**, 287 County Rd.  
30-A, Jeromesville, Ohio 44840;  
**Frederick W. Domka**, 1001 N.  
Freeway Cir., Mansfield, Ohio 44903

4,074,863 2/1978 Davis ..... 126/25 B X  
4,734,017 3/1988 Levin ..... 417/366  
4,778,380 10/1988 Nitta ..... 431/255  
4,891,005 1/1990 Carter ..... 126/25 B X  
4,909,237 3/1990 Karpinia ..... 126/25 B  
5,009,592 4/1991 Roldan et al. .... 431/255 X

[\*\*] Term: **14 Years**

*Primary Examiner*—Donald P. Walsh  
*Assistant Examiner*—M. N. Pandozzi  
*Attorney, Agent, or Firm*—D. Peter Hochberg; Mark  
Kusner; Louis J. Weisz

[21] Appl. No.: **605,018**

[22] Filed: **Oct. 29, 1990**

[52] U.S. Cl. .... **D7/416**

[57] **CLAIM**

[58] **Field of Search** ..... D7/416, 417, 213;  
D26/8; D27/147, 139, 154; D28/13, 16;  
431/255, 263, 254; 126/25 B; 361/260, 247,  
253; 219/261, 267; 99/421 A, 419

The ornamental design for a fire starting device, as shown and described.

**DESCRIPTION**

[56] **References Cited**

**U.S. PATENT DOCUMENTS**

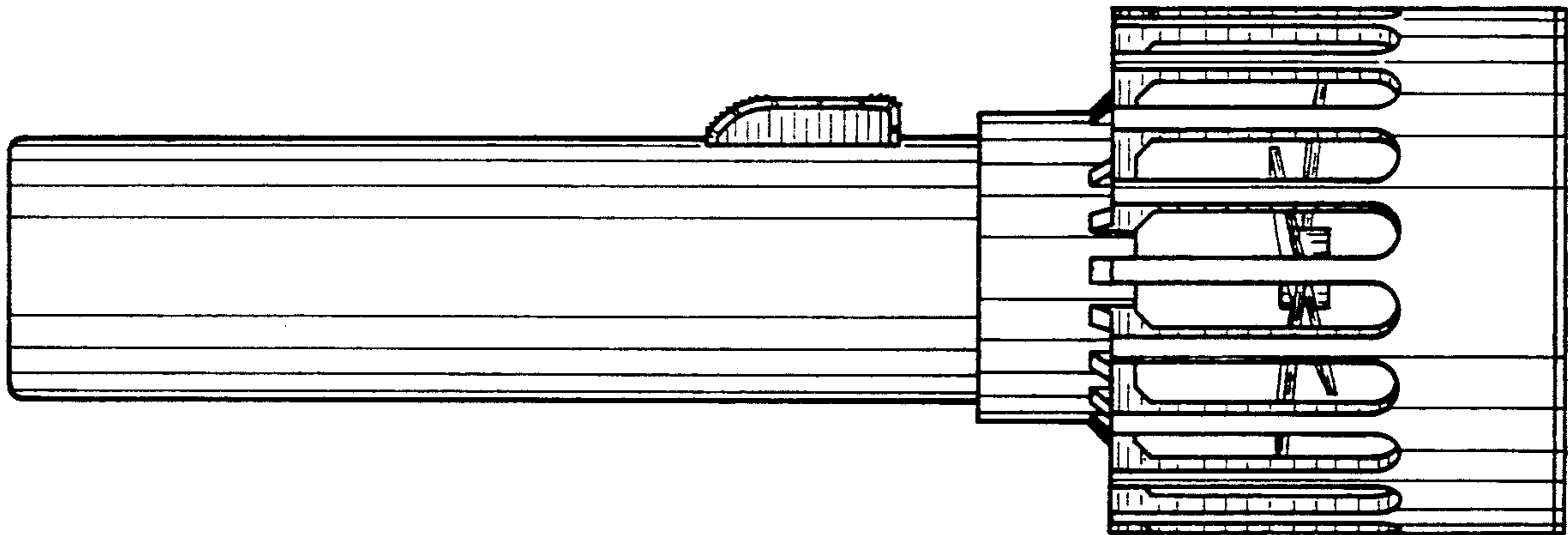
D. 316,651 5/1991 Williams ..... D7/416  
3,044,284 7/1962 Kratzinberger ..... D27/147 X  
3,099,386 7/1963 Pieper ..... 126/25 B  
3,362,586 1/1968 Dedoes ..... 126/25 B

FIG. 1 is a front elevational view of a fire starting device, showing my new design; the rear elevational view being a mirror image thereof;

FIG. 2 is a left side elevational view, the right side being a mirror image thereof without the switch;

FIG. 3 is a top plan view thereof; and,

FIG. 4 is a bottom plan view thereof.



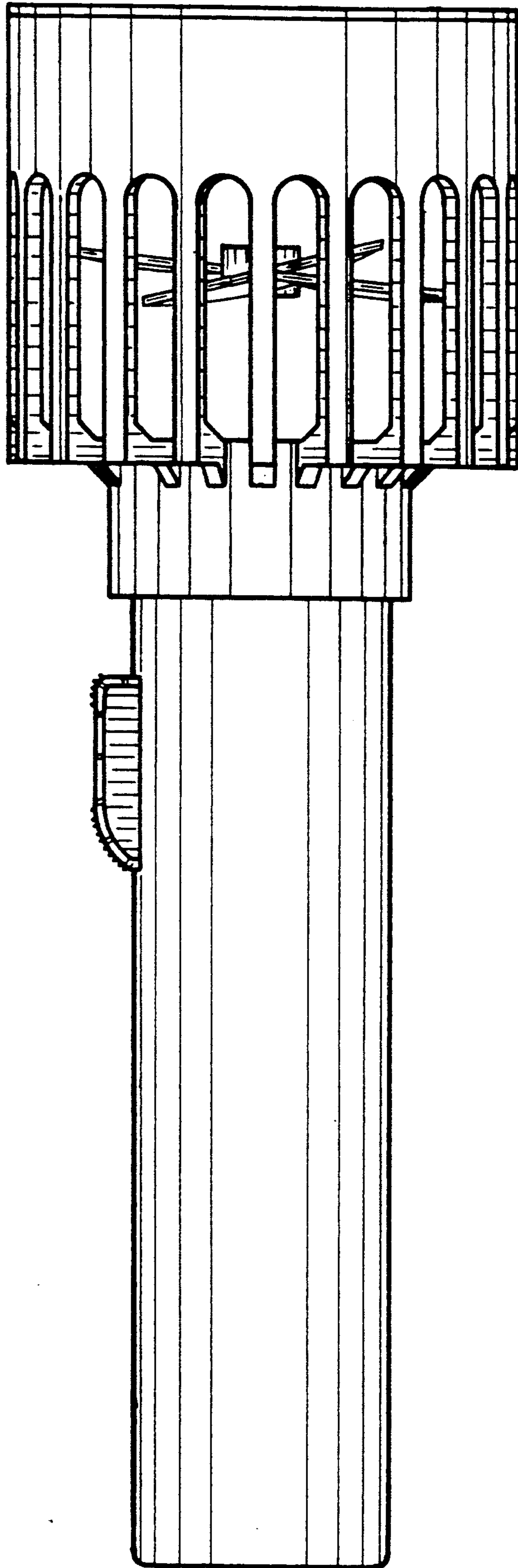


FIG. 1

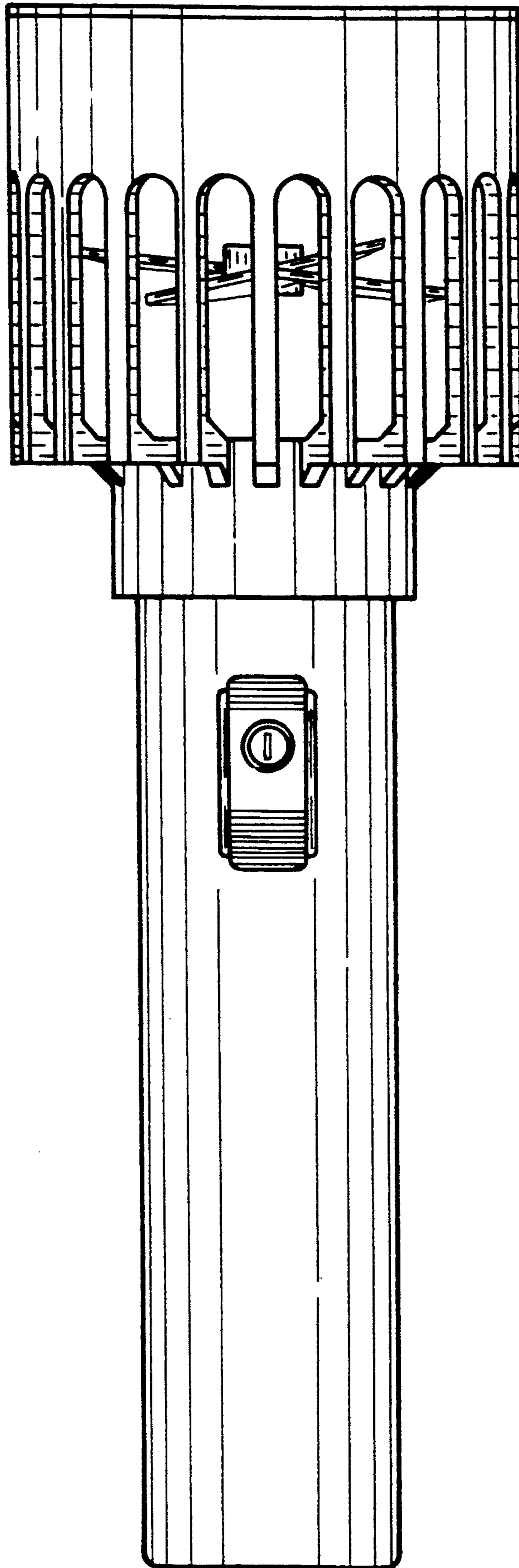


FIG. 2

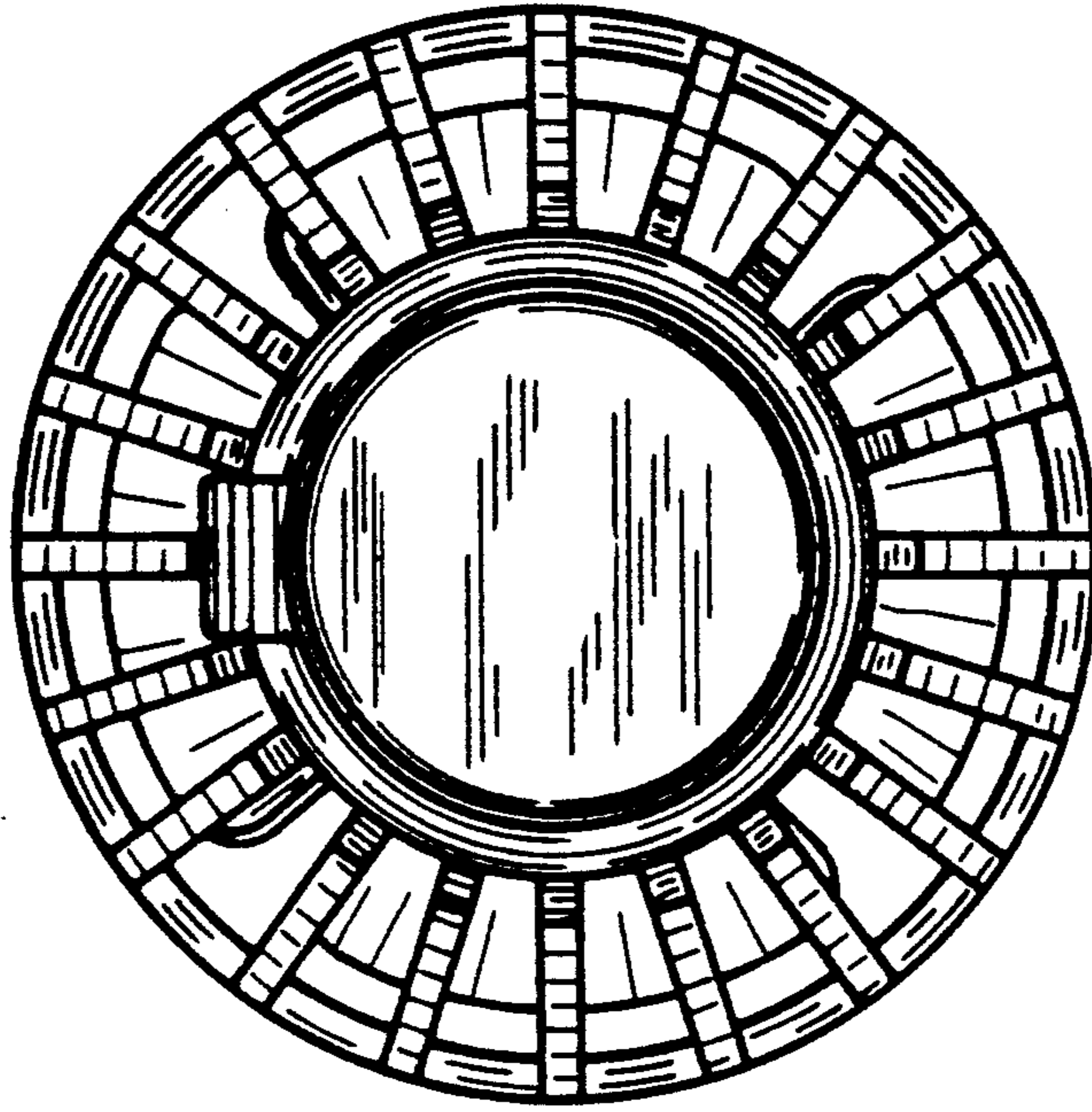


FIG. 4

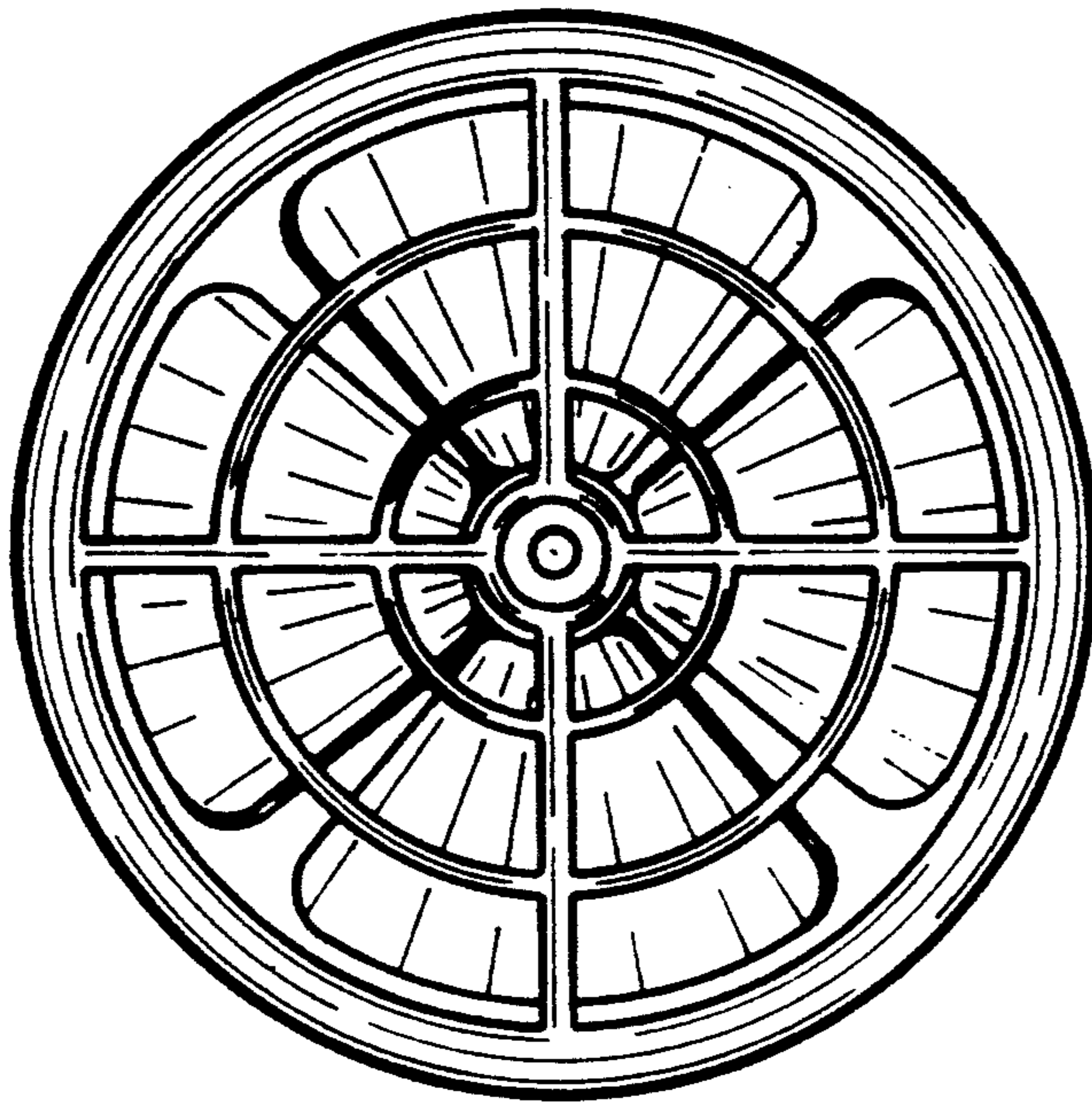


FIG. 3