



US00D328003S

United States Patent [19]

[11] Patent Number: **Des. 328,003**

Matson et al.

[45] Date of Patent: **** Jul. 21, 1992**

[54] PRECONDITIONING CYLINDER

[75] Inventors: **Kenneth E. Matson, Sabetha; Ernest L. Keehn, Wetmore, both of Kans.**

[73] Assignee: **Extru-Tech, Inc., Sabetha, Kans.**

[**] Term: **14 Years**

[21] Appl. No.: **357,872**

[22] Filed: **May 30, 1989**

[52] U.S. Cl. **D7/412; D7/376**

[58] Field of Search **D7/376-379, D7/412-415, 213; D15/147, 199; 72/711; 99/352, 355; 366/241, 242, 245, 266, 298, 300; 425/130, 133.1, 461, 462, DIG. 16; 426/512, 514, 516**

[56] References Cited

U.S. PATENT DOCUMENTS

D. 280,628	9/1985	Besson	D15/147
2,584,225	2/1952	Plunguian et al.	366/300 X
3,498,754	3/1970	Yamashita et al.	366/298 X
3,941,357	3/1976	Wurtz	366/300 X
3,985,070	10/1976	Longenecker et al.	99/353
4,337,583	7/1982	Harris	366/300 X
4,474,475	10/1984	Moriyama	366/298 X
4,608,261	8/1986	MacKenzie	99/353 X
4,752,139	6/1988	Hauck	366/298
4,875,847	10/1989	Wenger et al.	99/353 X

OTHER PUBLICATIONS

Wenger Bulletin 66-177-82, Wenger X-175 Extrusion Cooker.

Wenger Bulletin 66-686, Wenger X-185 Cooking Extruder.

Wenger Bulletin 31-036-79, Wenger X-200 Continuous Extrusion Cooker.

Wenger Bulletin 318-486, Wenger X-175 Cooking Extruder.

Primary Examiner—Donald P. Walsh

Assistant Examiner—Caron D. Veynar

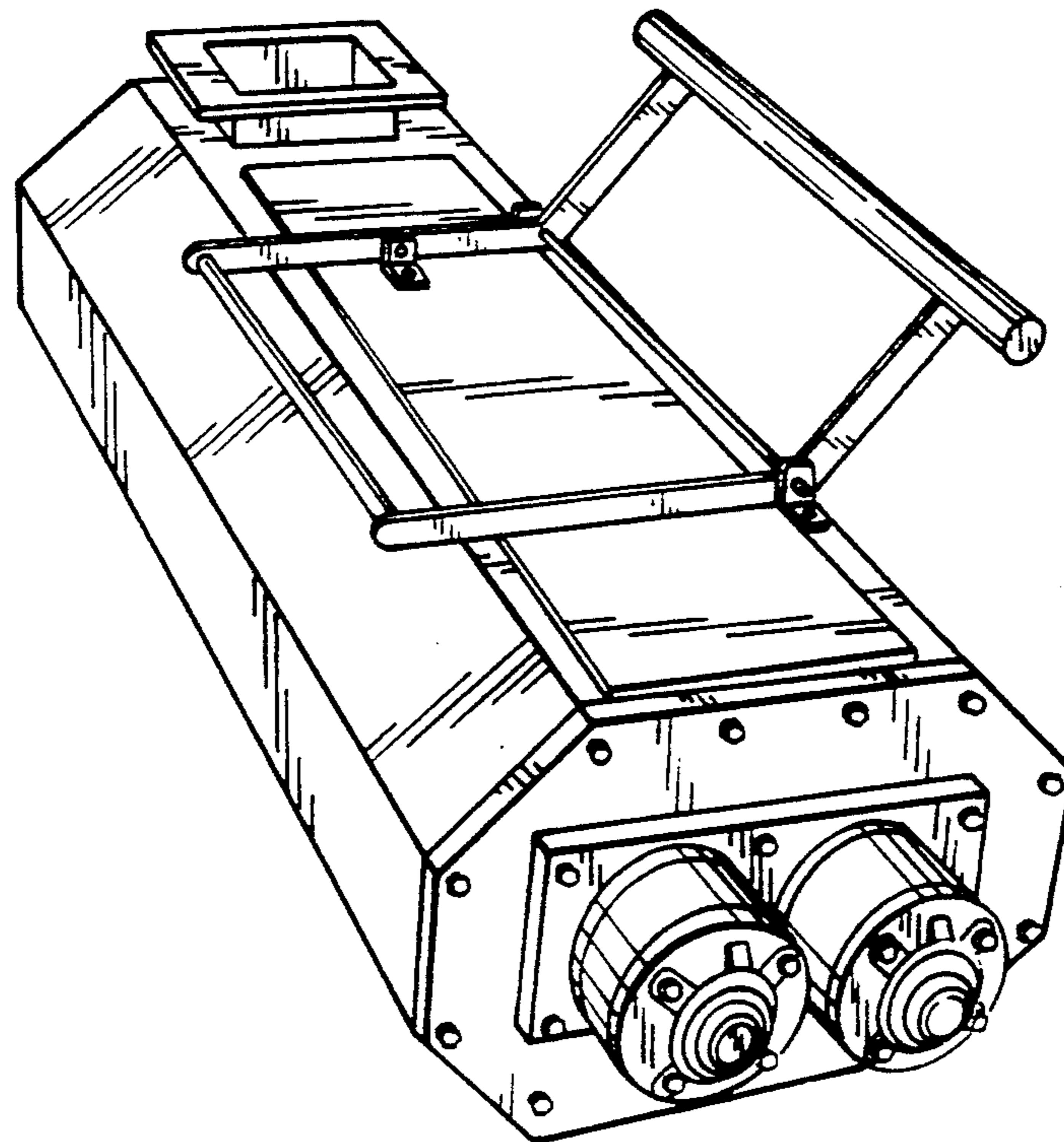
Attorney, Agent, or Firm—Litman, McMahon & Brown

[57] CLAIM

The ornamental design for a preconditioning cylinder, as shown and described.

DESCRIPTION

FIG. 1 is a left, front and top perspective view of a preconditioning cylinder showing our new design; FIG. 2 is a right side elevational view thereof, on an enlarged scale; FIG. 3 is a left side elevational view thereof; FIG. 4 is a rear elevational view thereof; FIG. 5 is a front elevational view thereof; FIG. 6 is a top plan view thereof; and, FIG. 7 is a bottom plan view thereof.



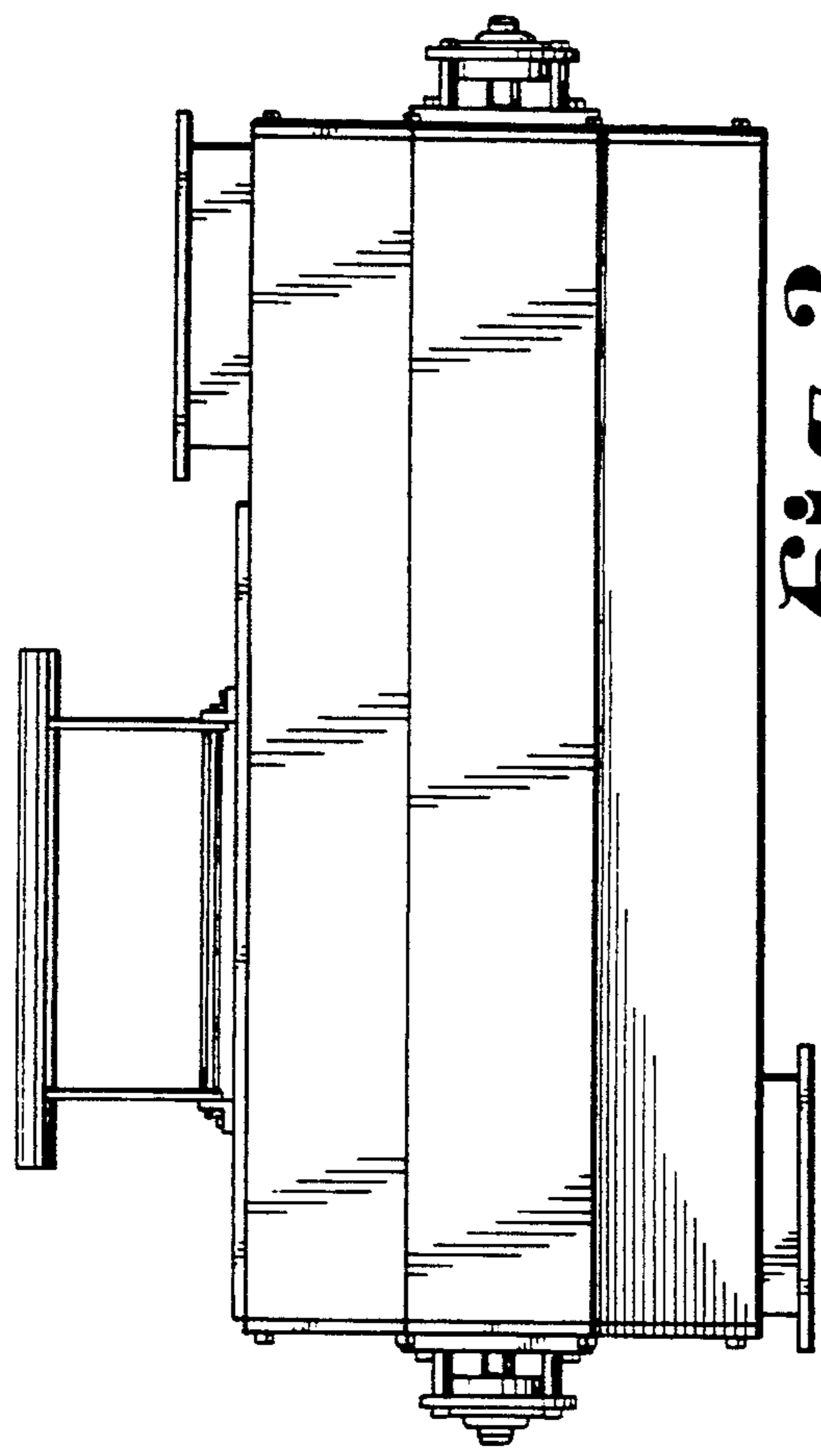


Fig. 2.

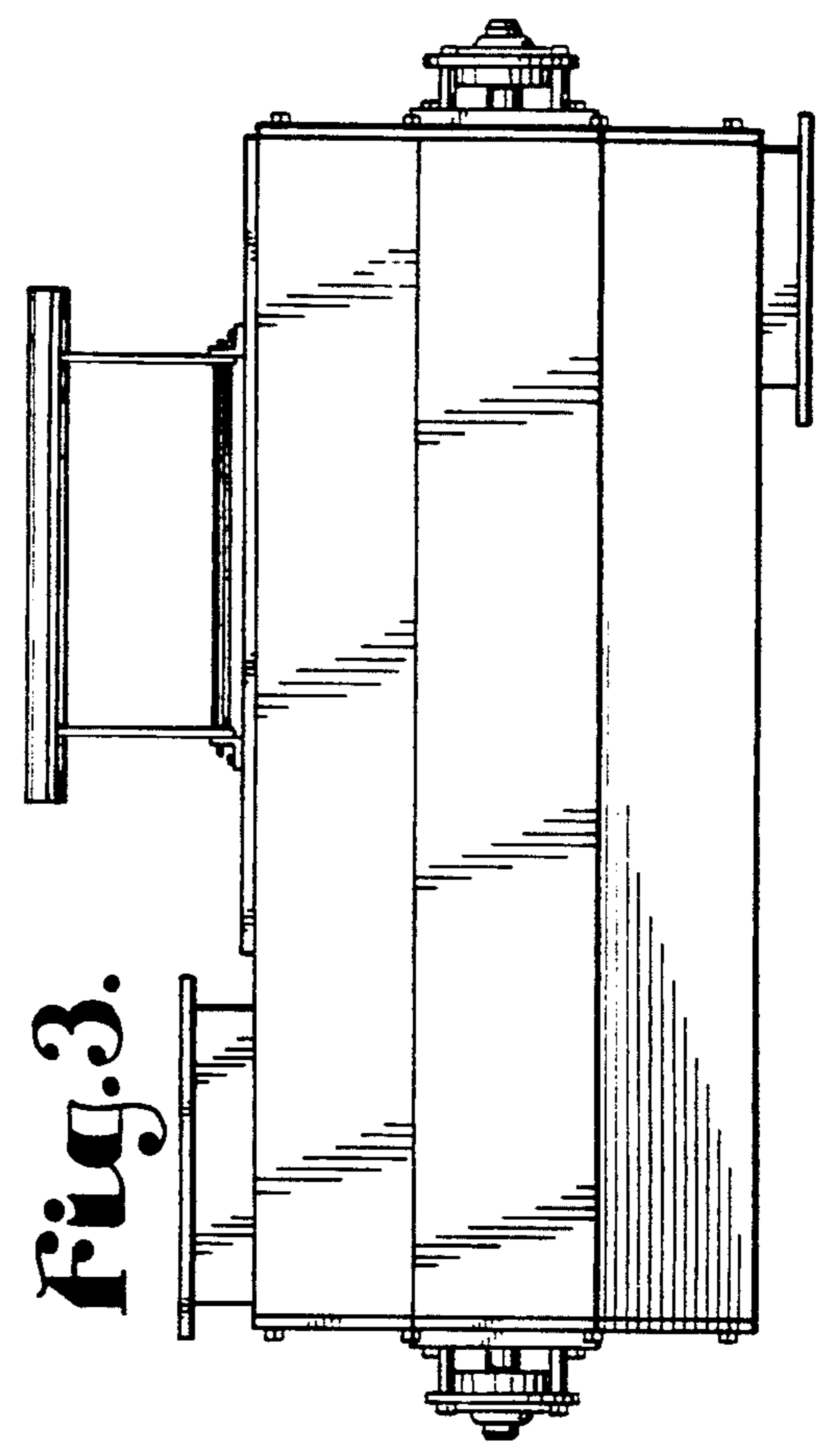


Fig. 3.

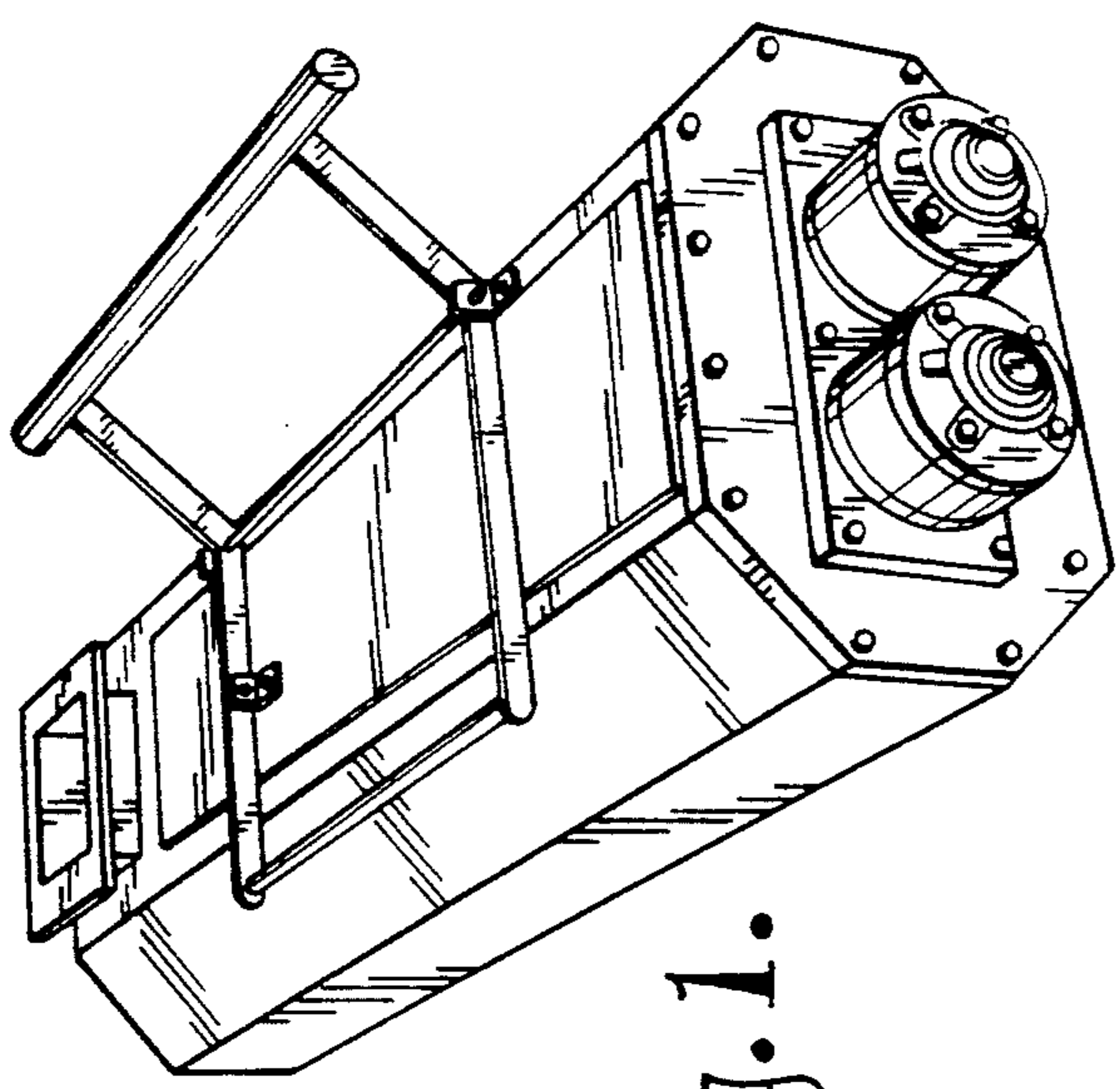


Fig. 1.

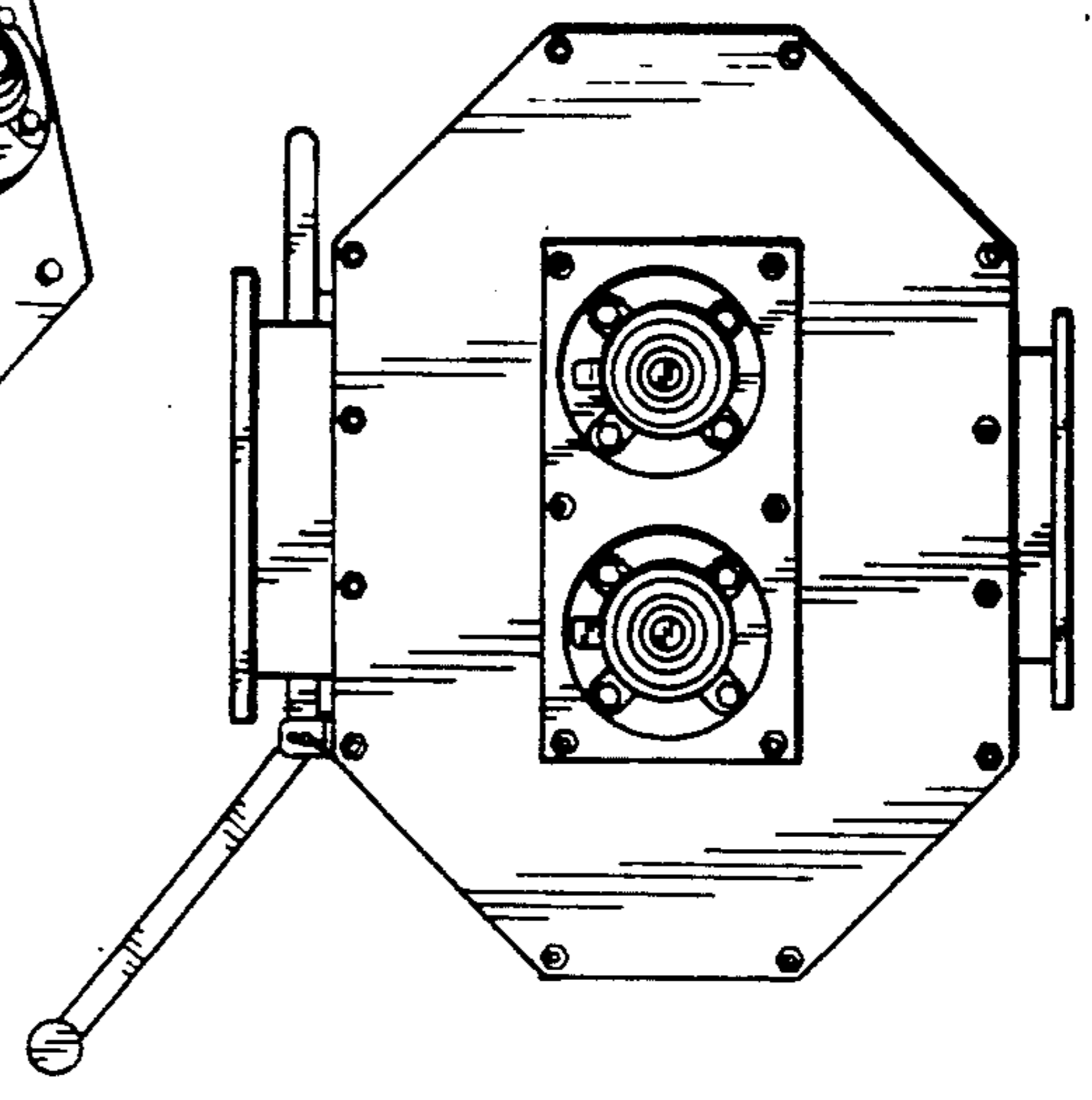


Fig. 4.

Fig. 6.

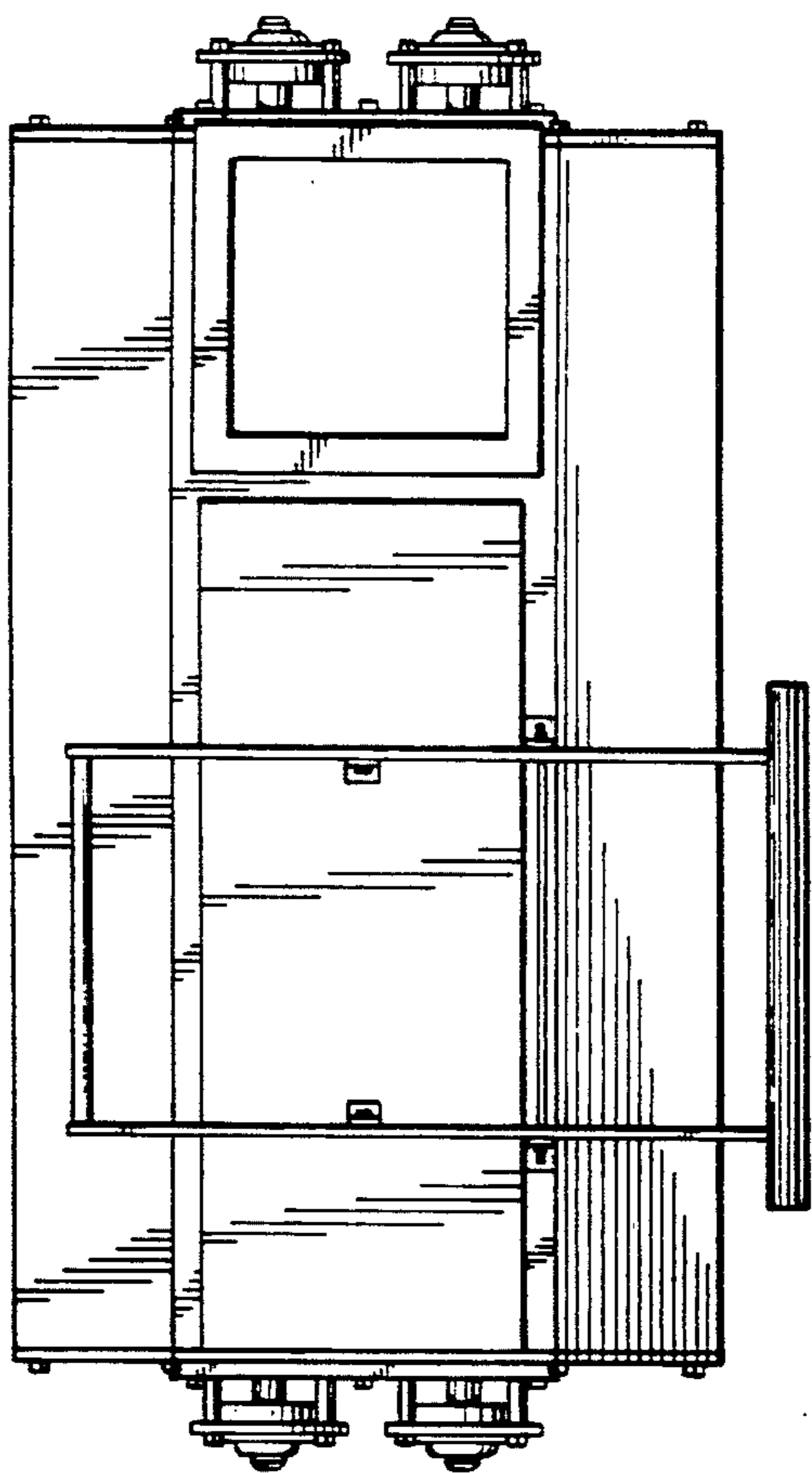


Fig. 7.

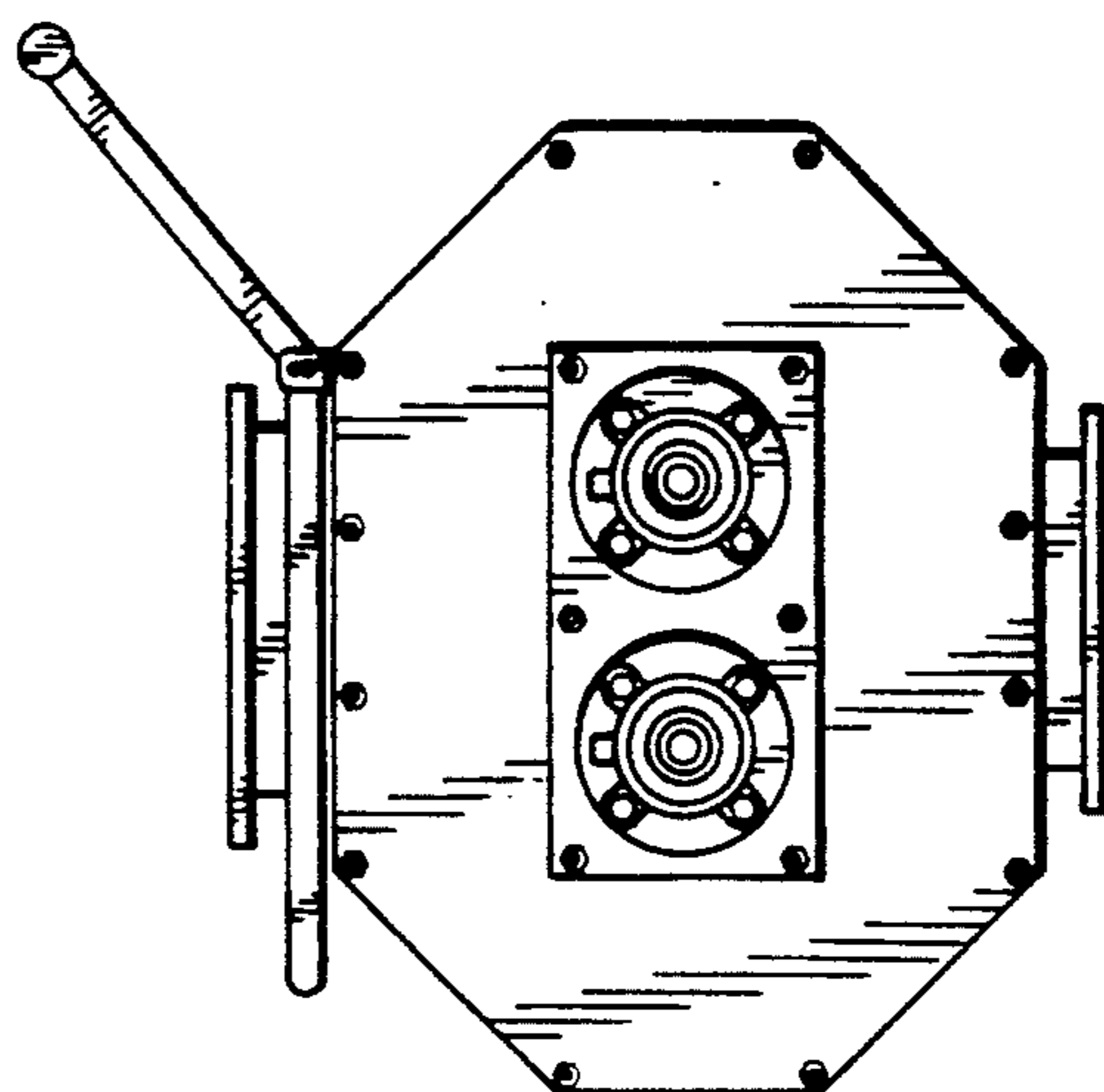
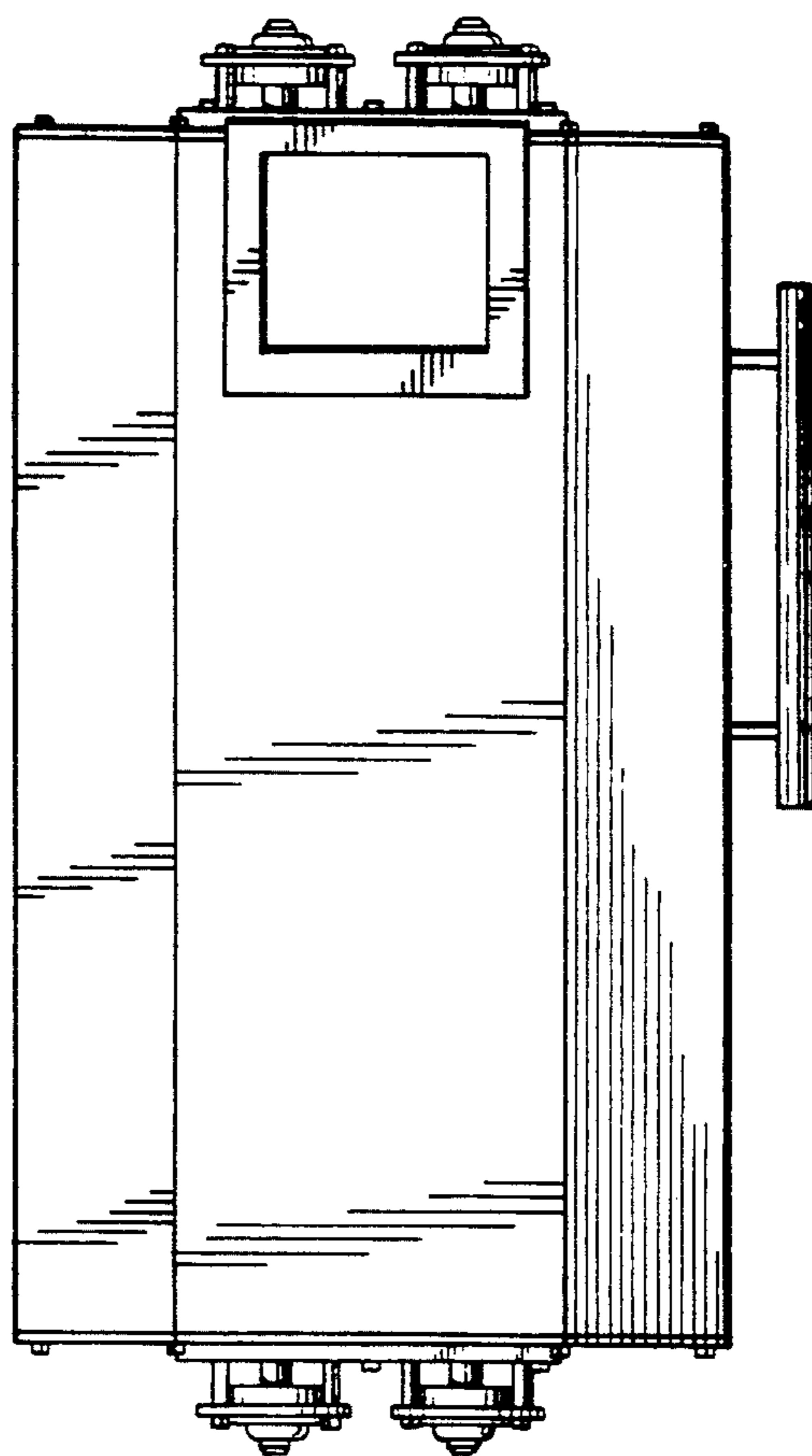


Fig. 5.