



US00D328002S

United States Patent [19] Gogan

[11] Patent Number: Des. 328,002

[45] Date of Patent: ** Jul. 21, 1992

[54] TOASTER

2,309,640 2/1943 Gough D7/330 X

[75] Inventor: James M. Gogan, Brick, N.J.

Primary Examiner—Nelson C. Holtje
Assistant Examiner—Caron D. Veynar
Attorney, Agent, or Firm—Howson & Howson

[73] Assignee: Savory Equipment, Inc., Lakewood, N.J.

[**] Term: 14 Years

[57] CLAIM

[21] Appl. No.: 541,344

The ornamental design for a toaster, as shown and described.

[22] Filed: Jun. 21, 1990

[52] U.S. Cl. D7/330; D7/328

[58] Field of Search D7/328-330,
D7/352, 323; 99/327, 331, 385, 388, 389, 391

DESCRIPTION

FIG. 1 is a right, front and top perspective view of a toaster showing my new design;
FIG. 2 is a left side elevational view thereof;
FIG. 3 is a top plan view thereof;
FIG. 4 is a bottom plan view thereof;
FIG. 5 is a front elevational view thereof; and,
FIG. 6 is a rear elevational view thereof.
The cord shown in FIGS. 1-4 is broken away for ease of illustration.

[56] References Cited

U.S. PATENT DOCUMENTS

2,052,927 9/1936 Hallwood D7/330 X
2,239,862 4/1941 Scalp et al. D7/328 X

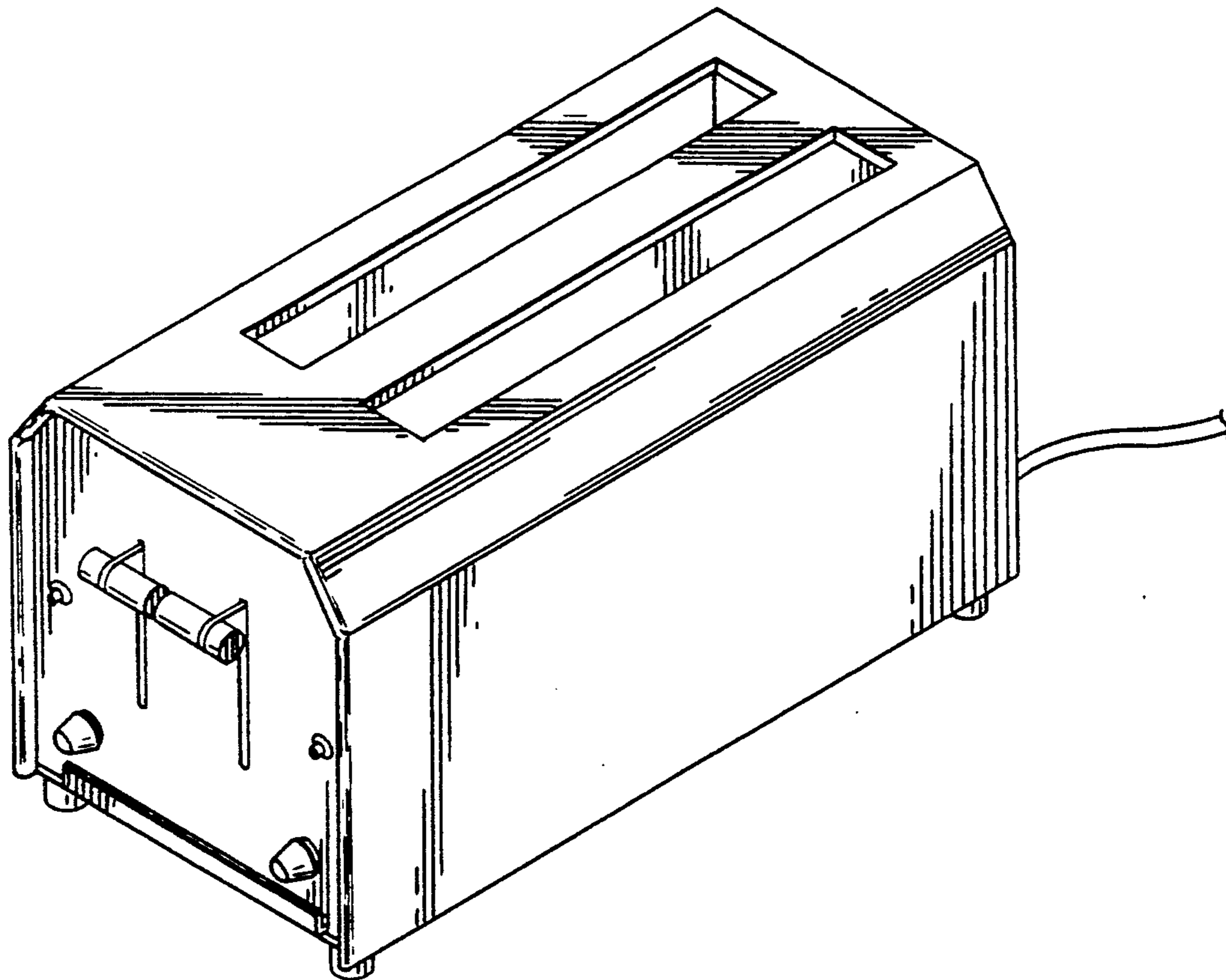


FIG. 1

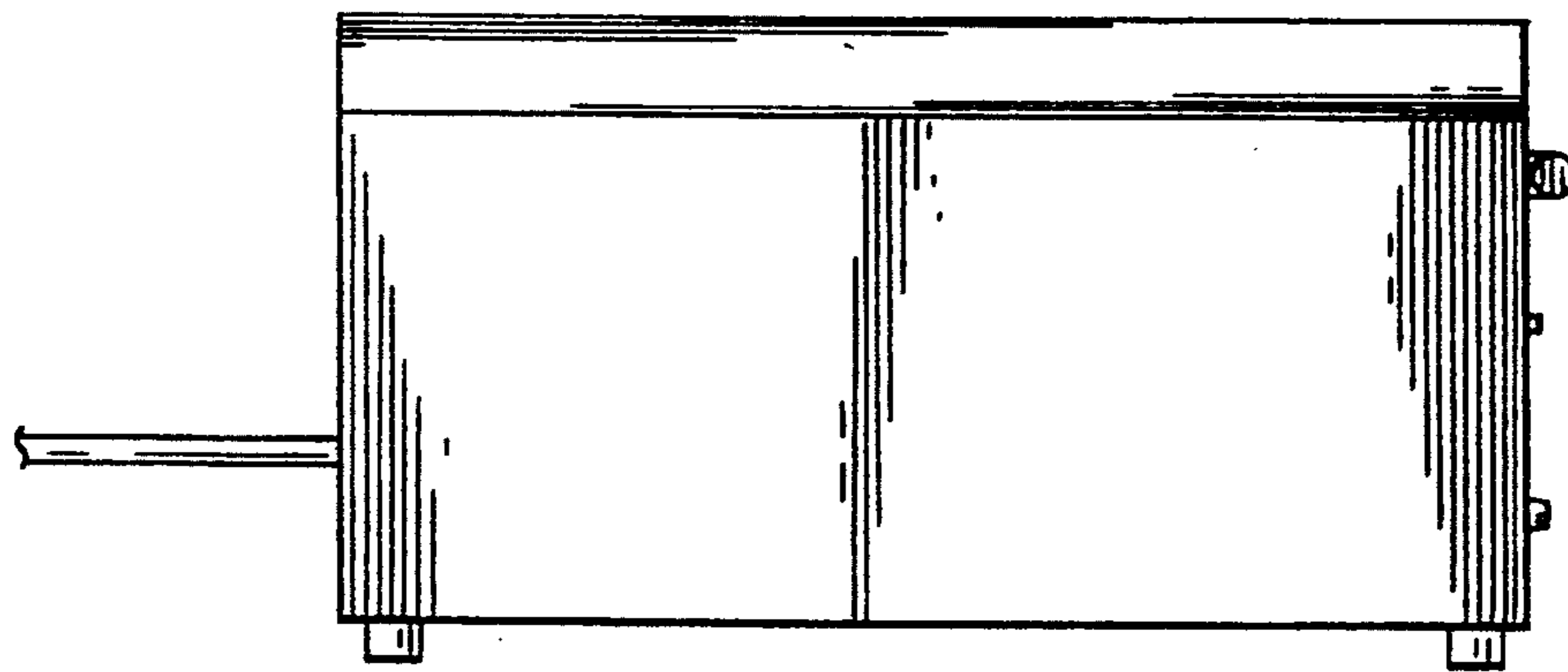
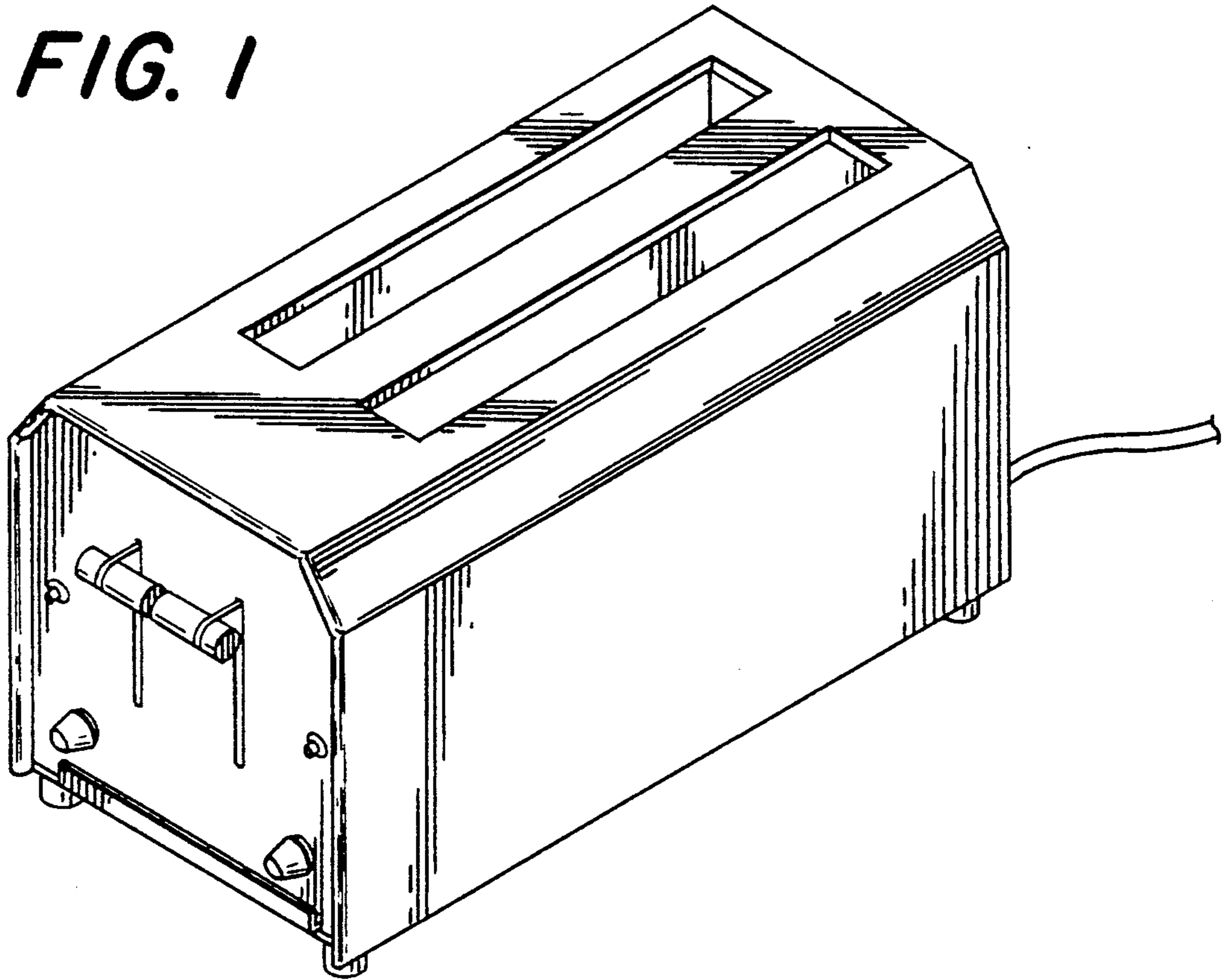


FIG. 2

FIG. 3

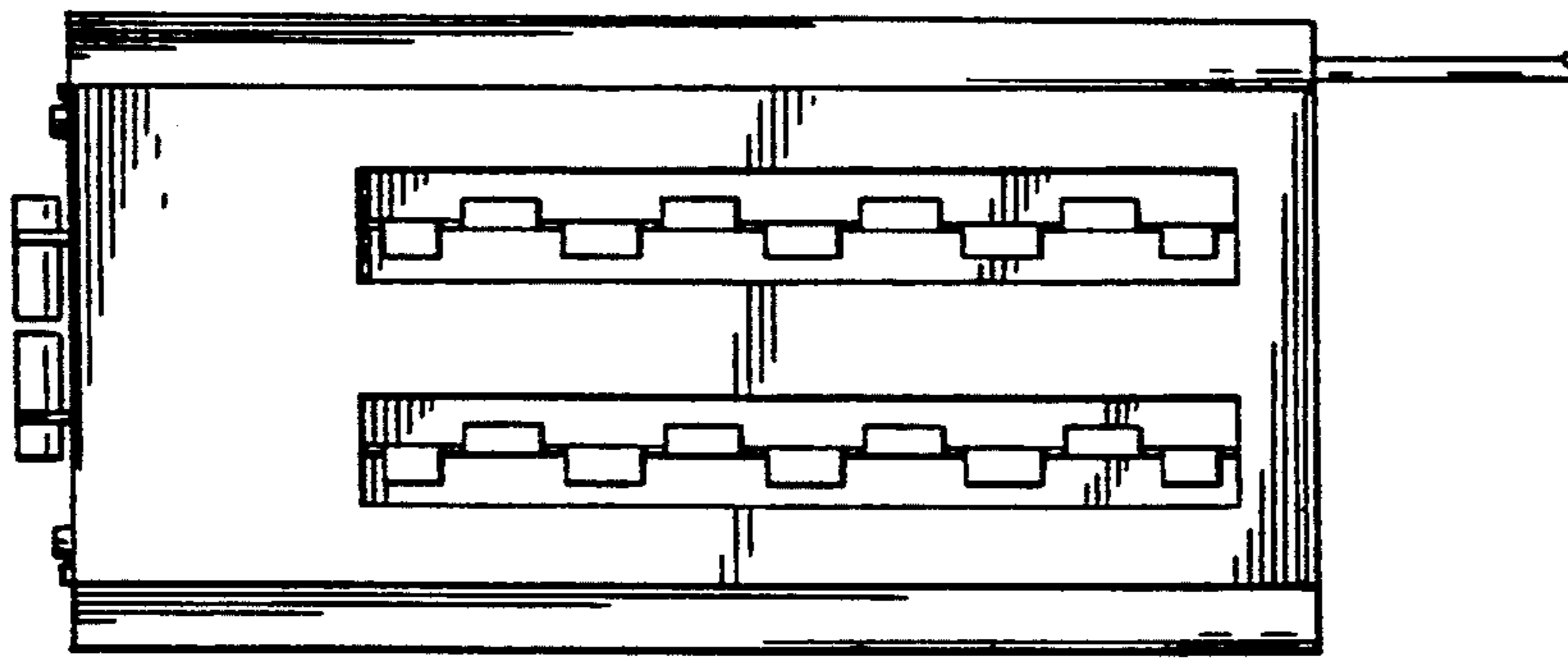


FIG. 4

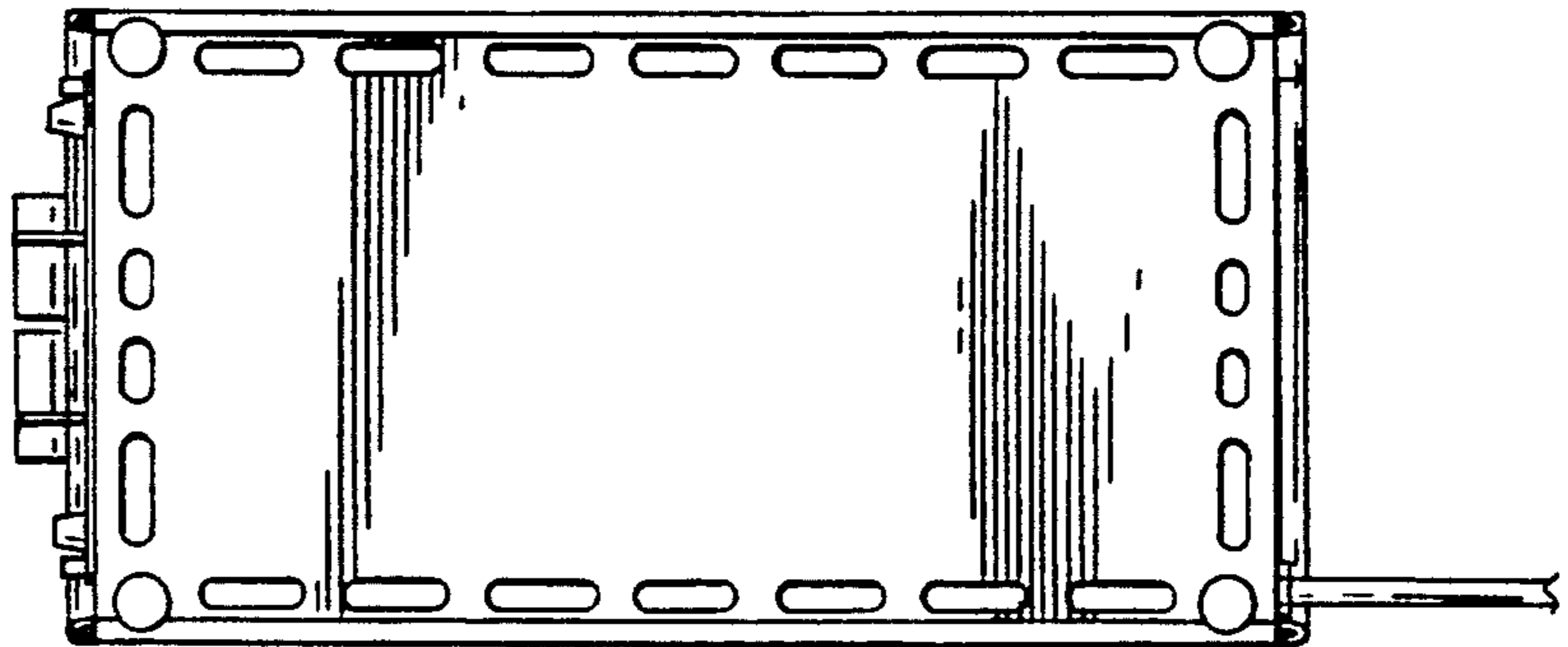


FIG. 5

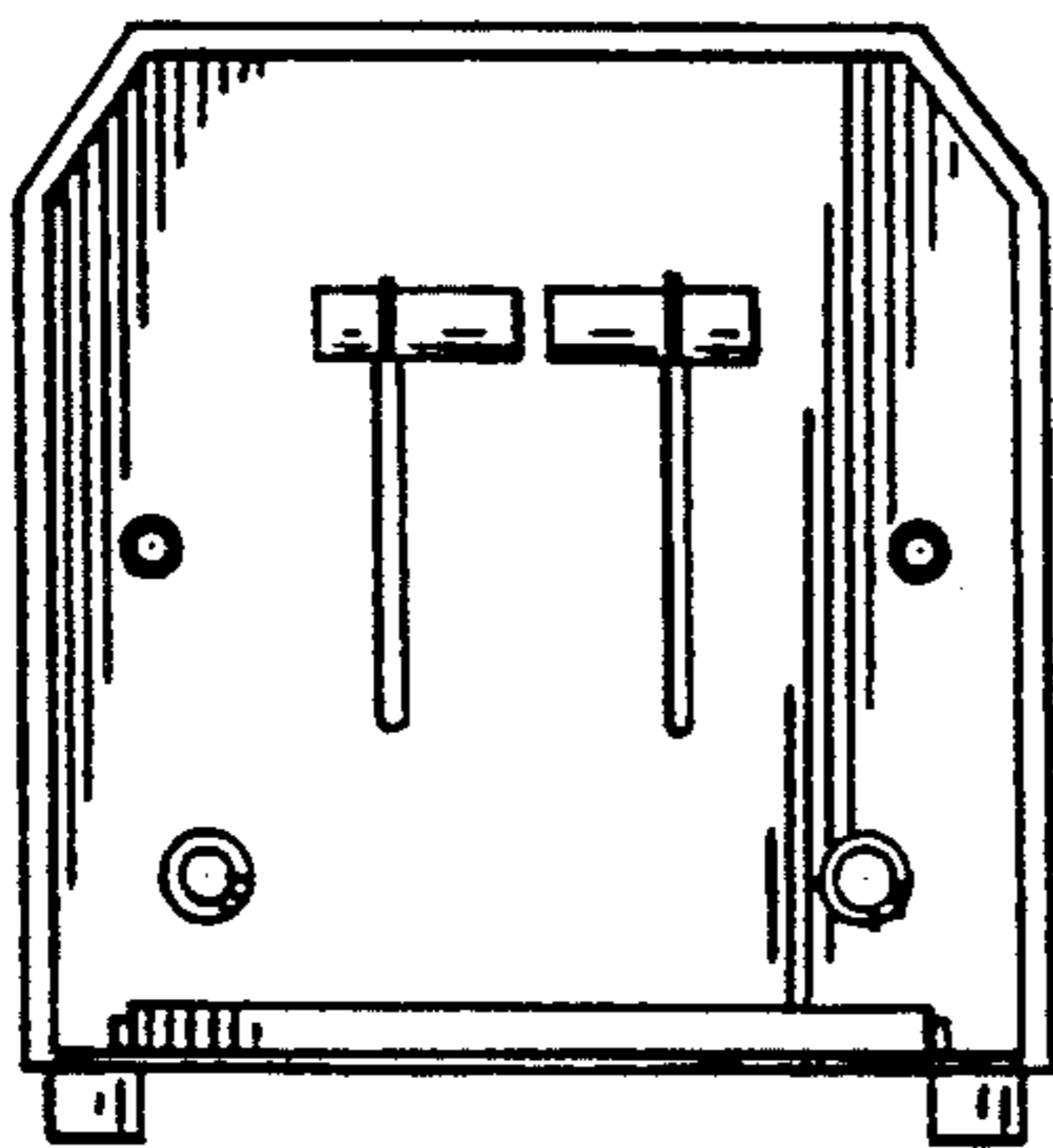


FIG. 6

