



US00D328001S

United States Patent [19]

[11] Patent Number: **Des. 328,001**

Kelly

[45] Date of Patent: **** Jul. 21, 1992**

[54] COUNTERTOP

[76] Inventor: **Basil T. Kelly**, 6625 SW. Robbins Rd., Tualatin, Oreg. 97062

[**] Term: **14 Years**

[21] Appl. No.: **435,578**

[22] Filed: **Nov. 13, 1989**

[52] U.S. Cl. **D6/511; D6/481**

[58] Field of Search **D6/491, 481, 509-511; 312/140.1, 140.3, 140.4**

[56] References Cited

U.S. PATENT DOCUMENTS

- D. 259,378 6/1981 Amaro et al. D6/481 X
- D. 261,457 10/1981 Berman et al. D6/481 X
- D. 272,306 1/1984 Kennedy D6/481
- 2,933,360 4/1960 Sitler 312/140.1 X

FOREIGN PATENT DOCUMENTS

- 0136441 4/1985 United Kingdom 312/140.3

OTHER PUBLICATIONS

Leitner, Equip. Co., p. 3, counter at center left.
 Domus, Dec. 1979, p. r, countertop stacked 5th from bottom.

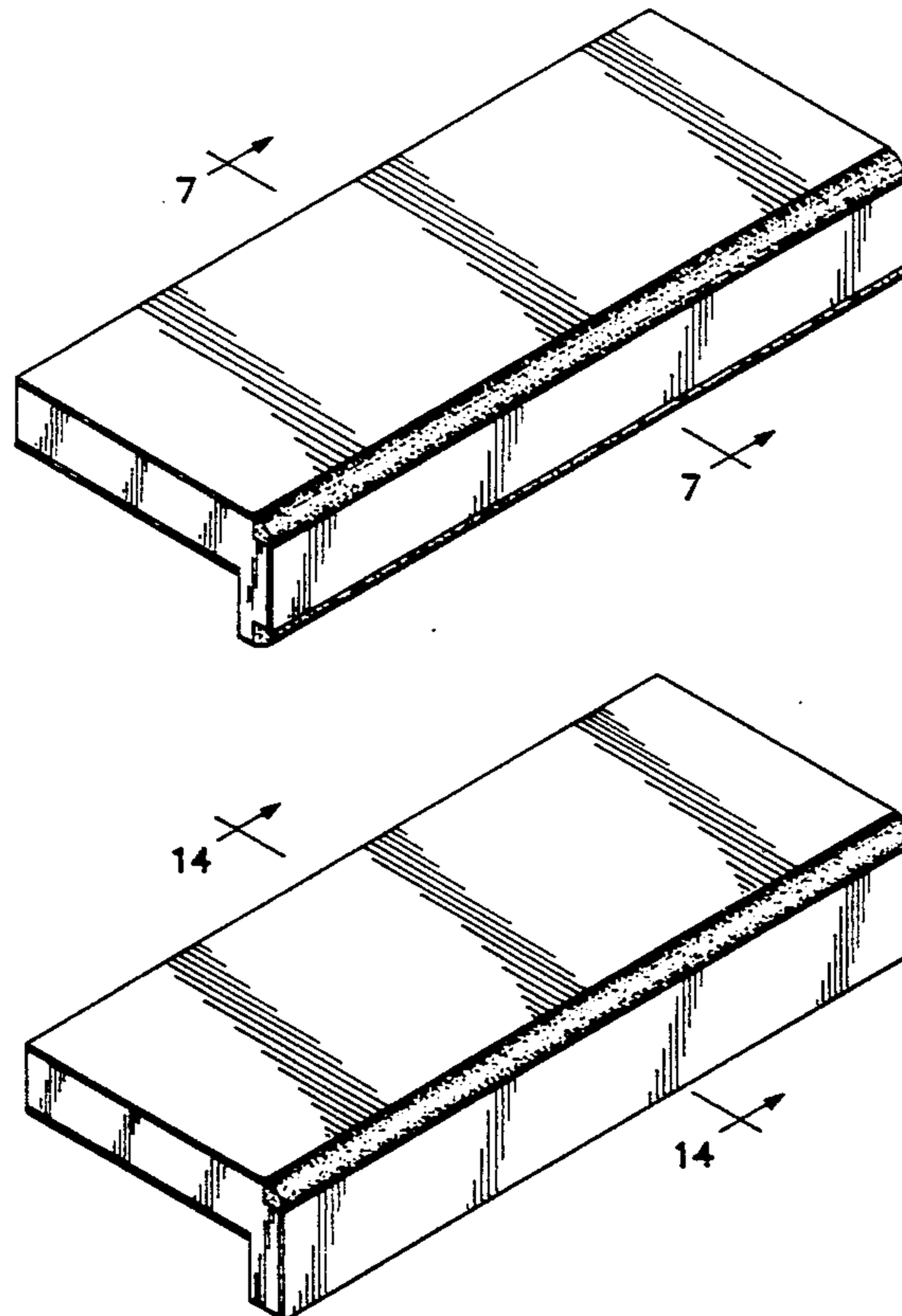
Primary Examiner—Donald P. Walsh
Assistant Examiner—Janice E. Seeger
Attorney, Agent, or Firm—Chernoff, Vilhauer, McClung & Stenzel

[57] CLAIM

The ornamental design for a countertop, as shown and described.

DESCRIPTION

FIG. 1 is a perspective view of a countertop showing my new design;
 FIG. 2 is an end elevational view, the opposite end being a mirror image thereof;
 FIG. 3 is a front elevational view thereof;
 FIG. 4 is a top plan view thereof;
 FIG. 5 is a bottom plan view thereof;
 FIG. 6 is a rear elevational view thereof;
 FIG. 7 is an enlarged cross-sectional view, taken along line 7—7 in FIG. 1;
 FIG. 8 is a perspective view of a countertop, showing an alternate embodiment of my new design;
 FIG. 9 is an enlarged cross-sectional view of the alternate embodiment, taken along line 14—14 in FIG. 8;
 FIG. 10 is a front elevational view of the alternate embodiment;
 FIG. 11 is a top plan view of the alternate embodiment;
 FIG. 12 is a bottom plan view of the alternate embodiment;
 FIG. 13 is a rear elevational view of the alternate embodiment; and,
 FIG. 14 is an end elevational view of the alternate embodiment, the opposite end being a mirror image thereof.
 FIGS. 1 and 8 have been drawn to a reduced scale with respect to FIGS. 2-6 and 10-14.



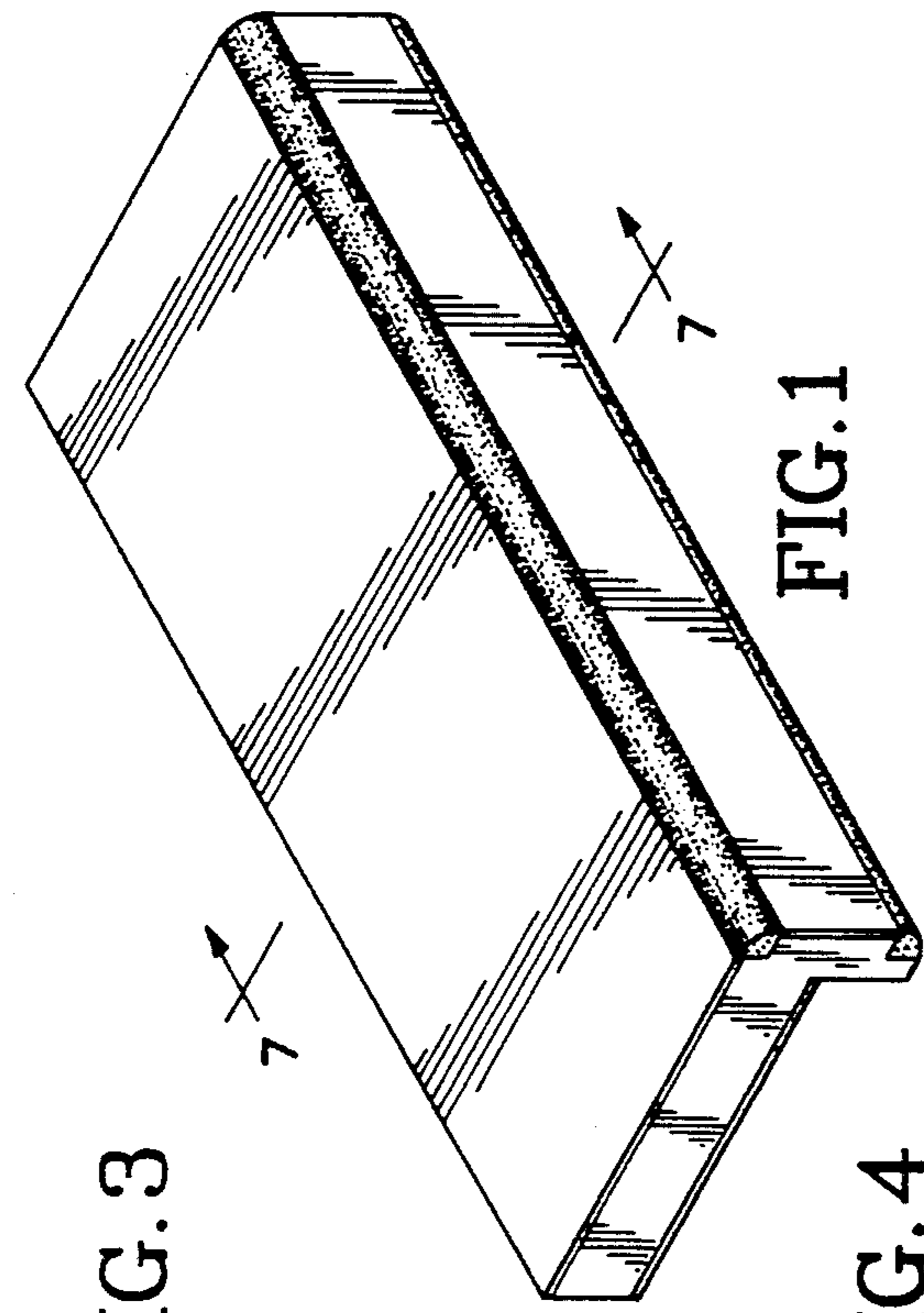


FIG. 1

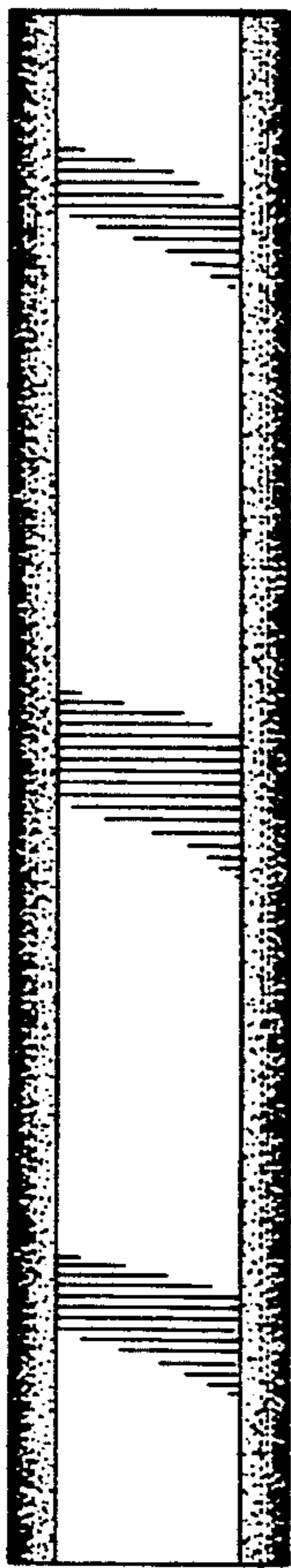


FIG. 3

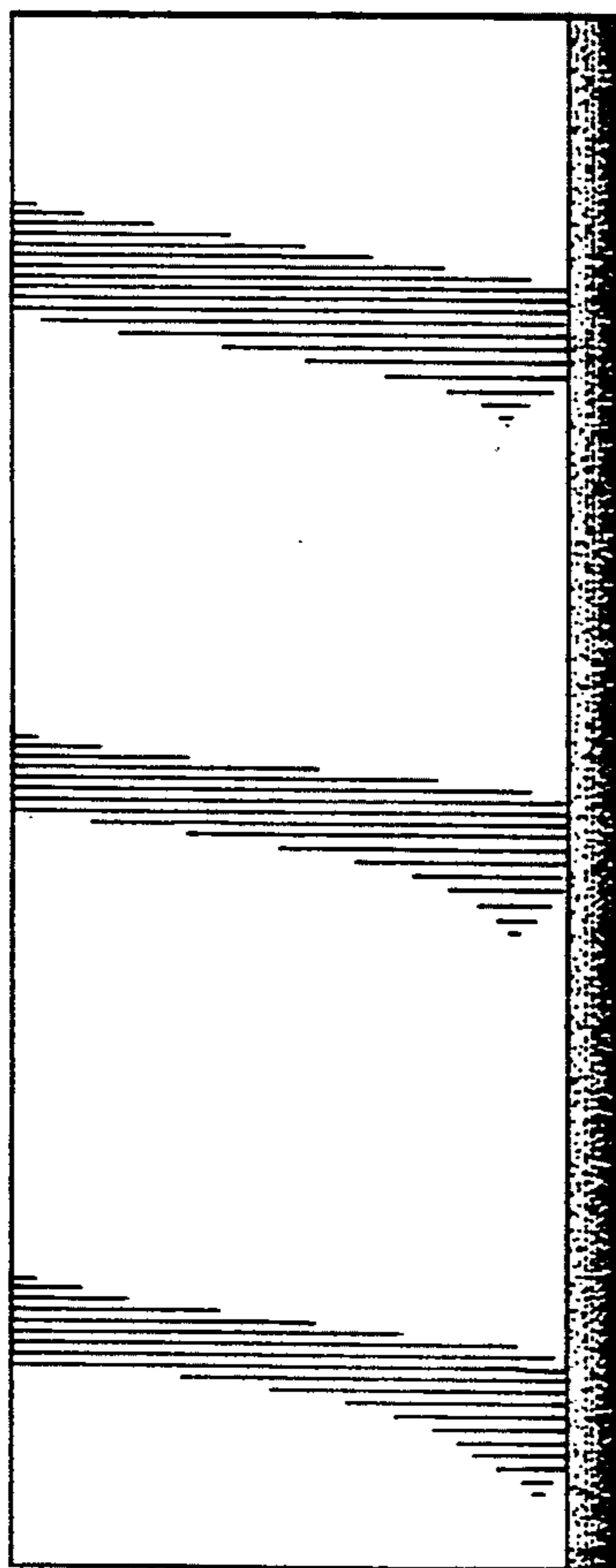


FIG. 4

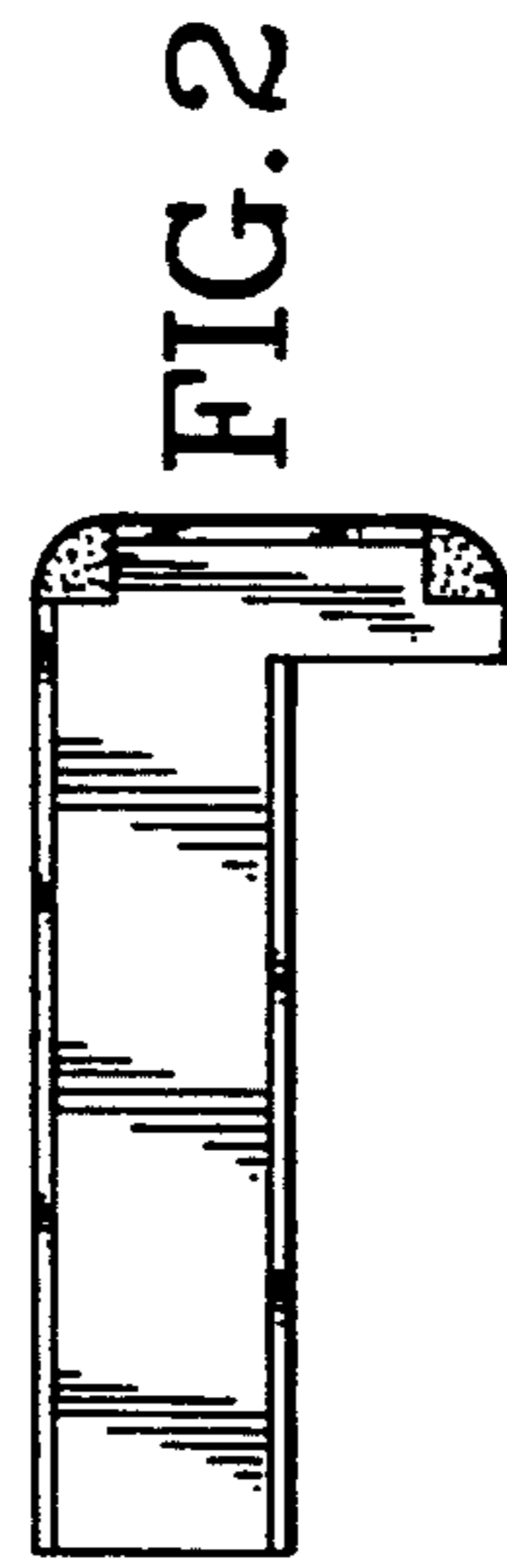


FIG. 2

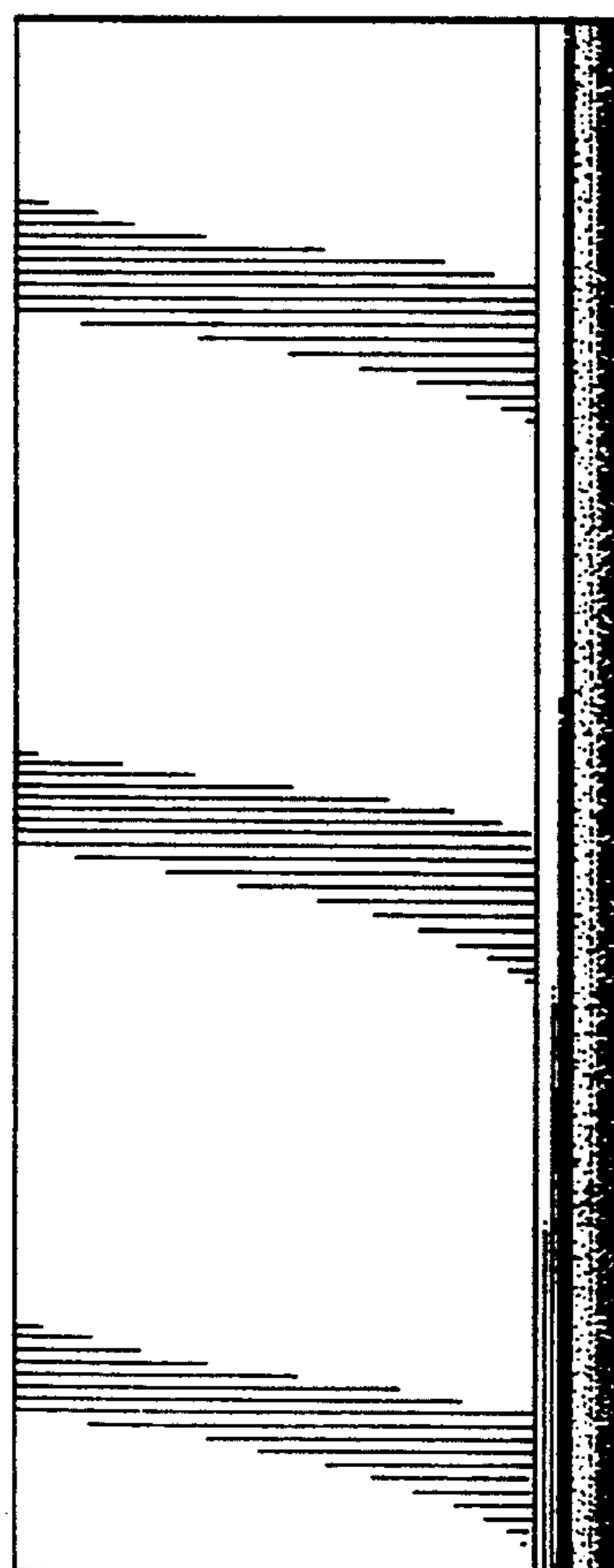


FIG. 5

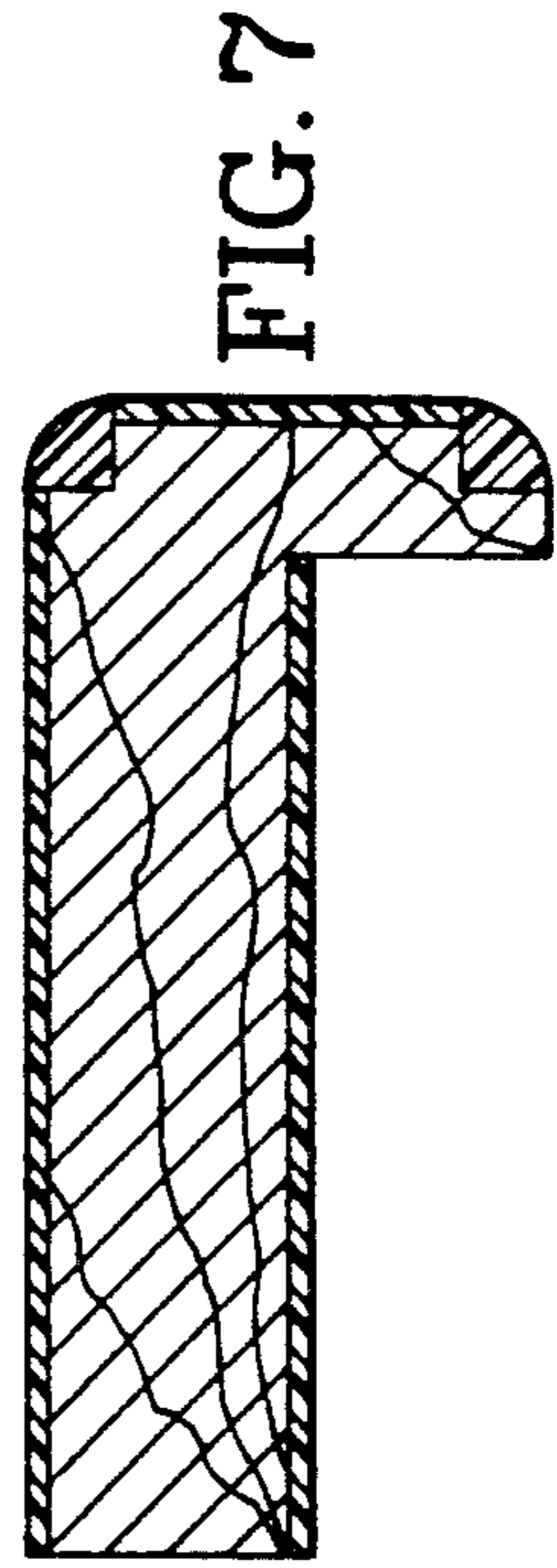


FIG. 7

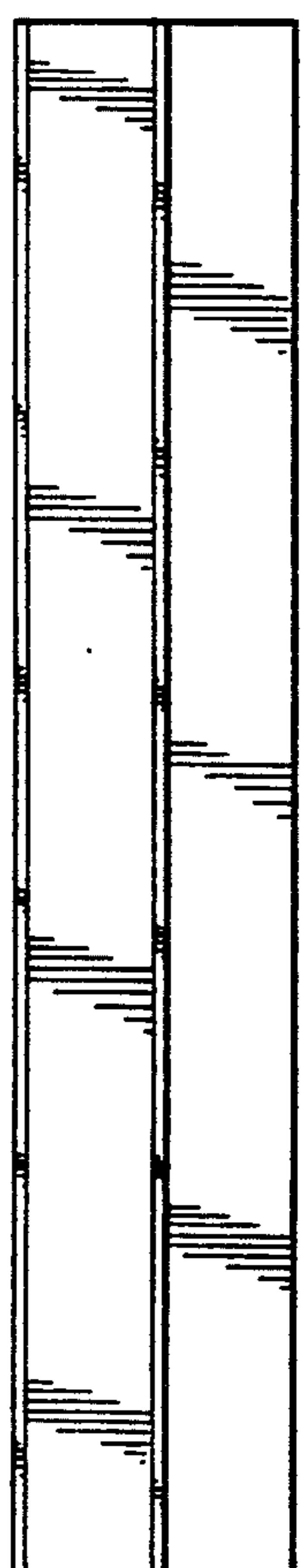
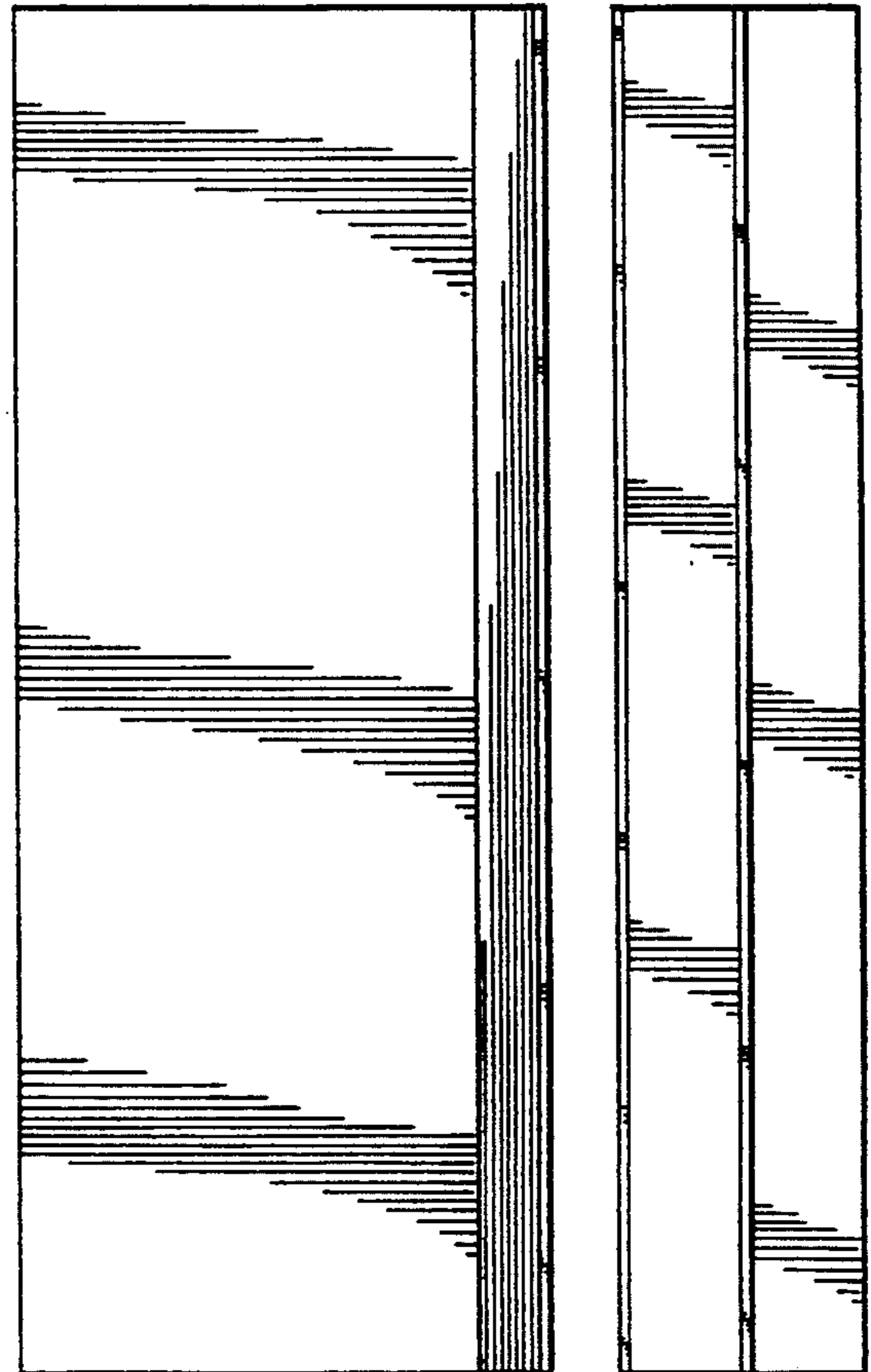
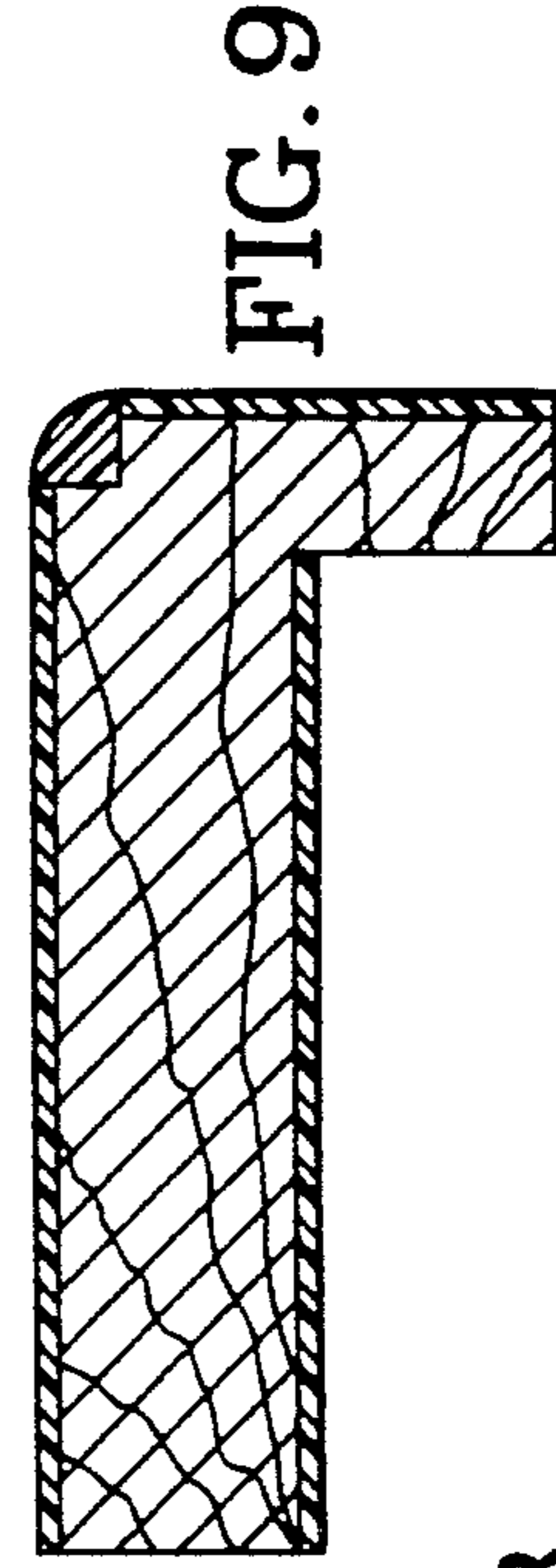
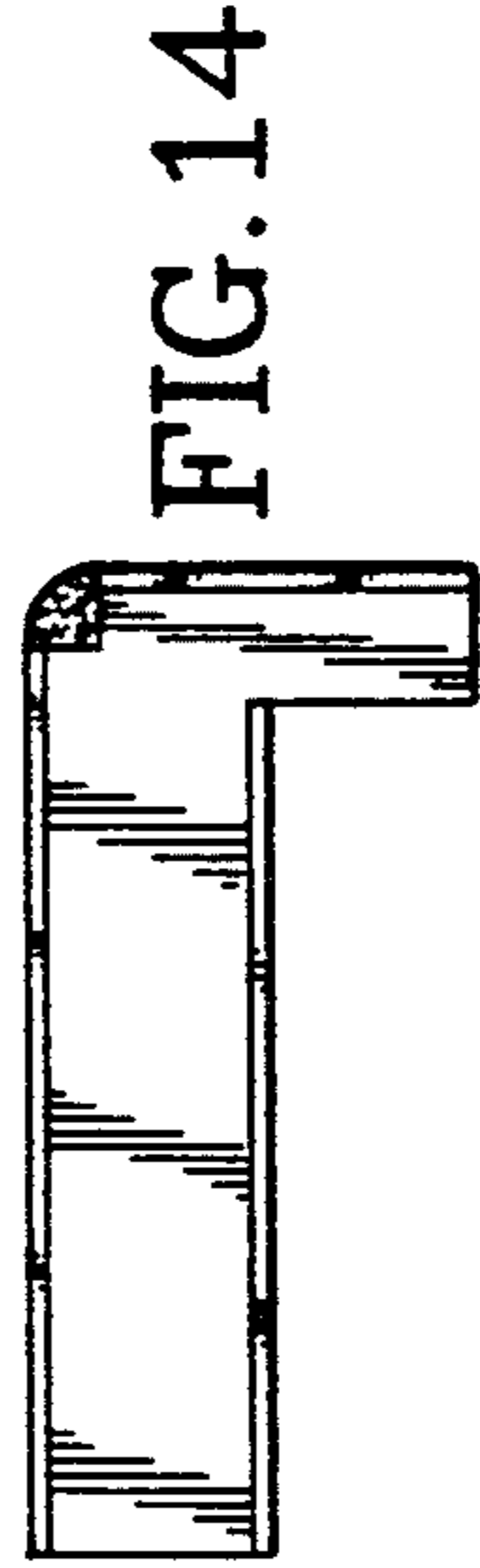
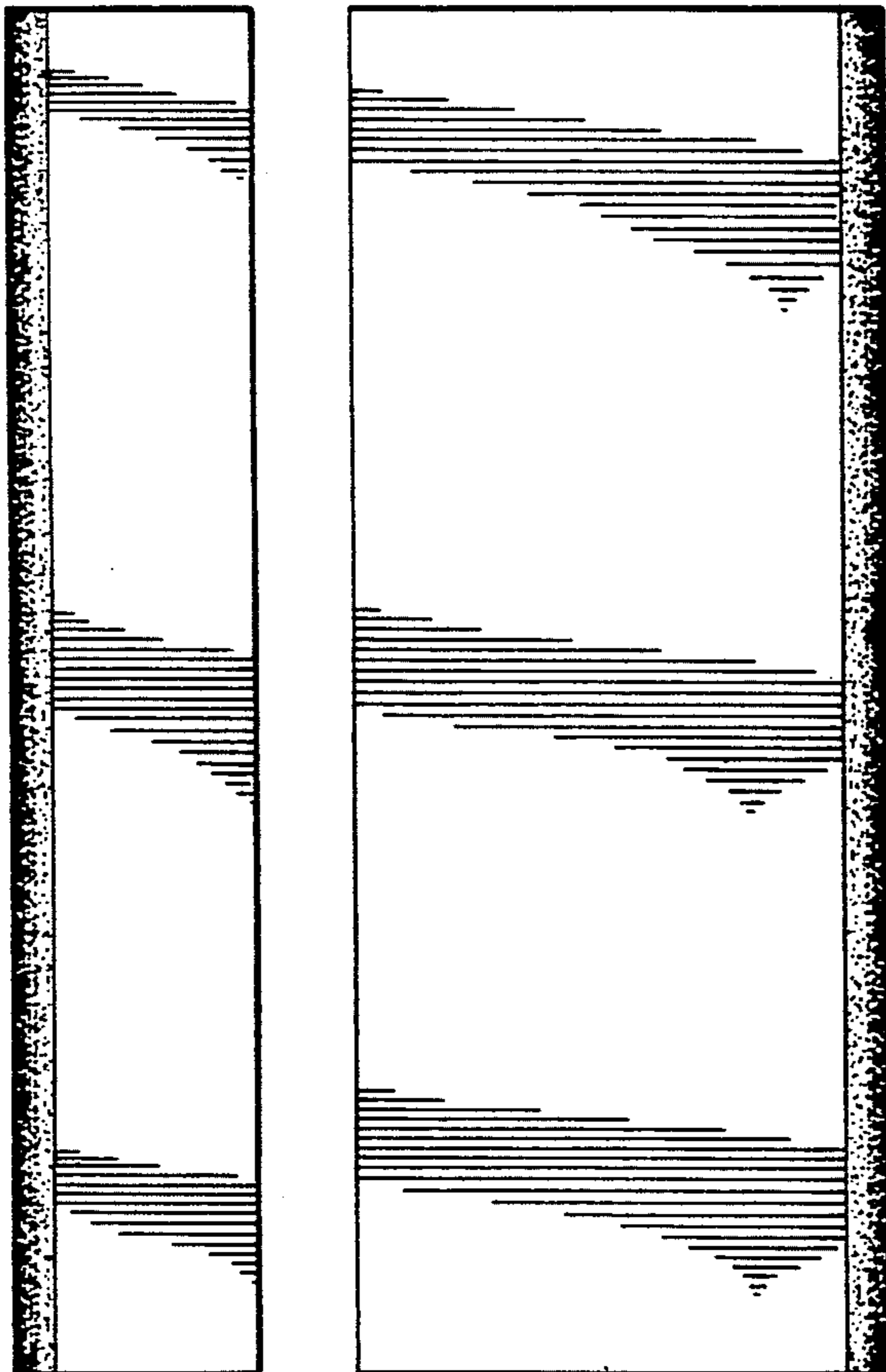
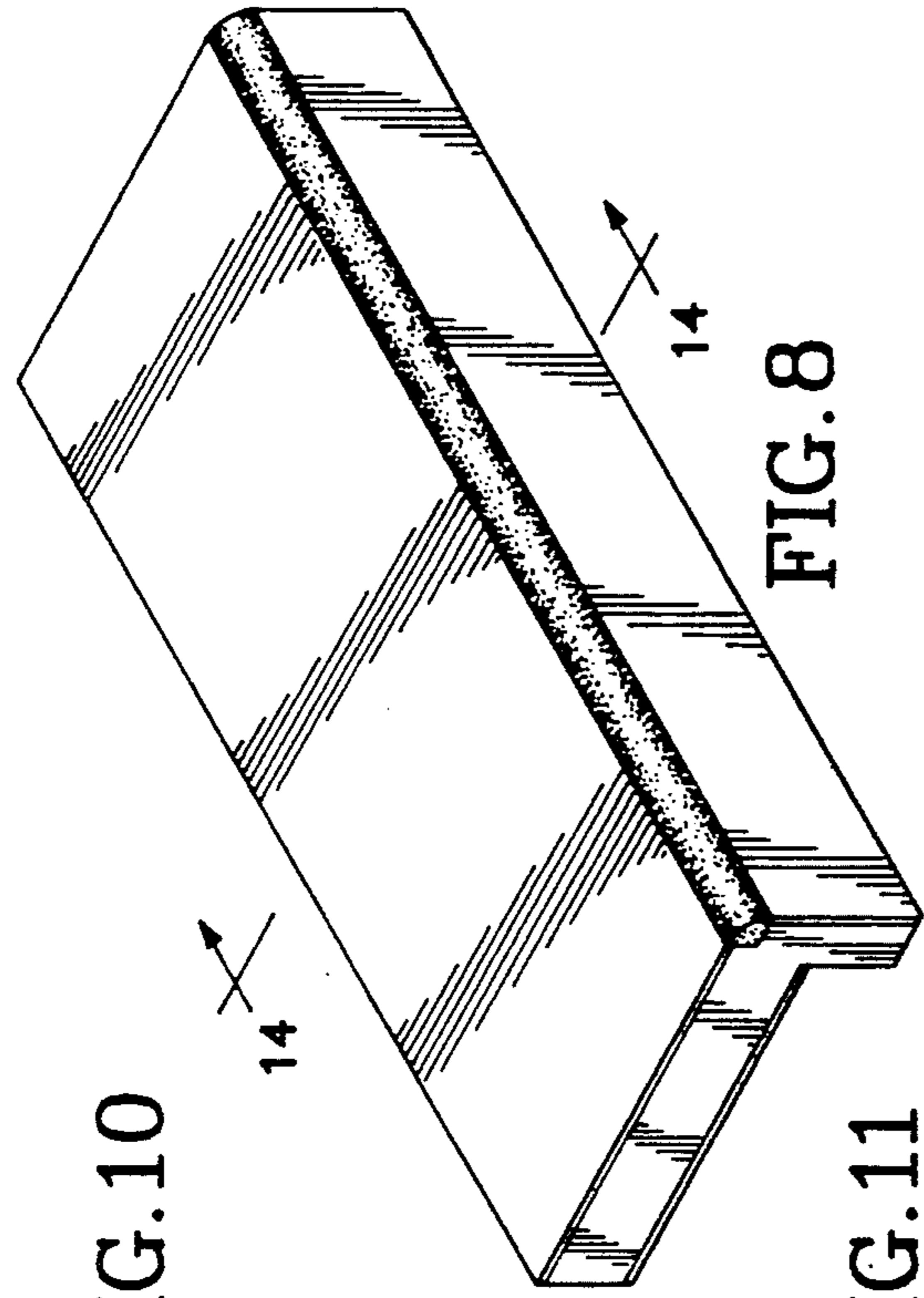


FIG. 6



UNITED STATES PATENT AND TRADEMARK OFFICE
CERTIFICATE OF CORRECTION

PATENT NO. : Des. 328,001
DATED : July 21, 1992
INVENTOR(S) : Basil T. Kelley

It is certified that error appears in the above-identified patent and that said Letters Patent is hereby corrected as shown below:

On the title page, items [19] and [76]: **replace**
"Kelly" with --Kelley--

Column 1, after [76] Inventor: **replace "Kelly" with**
--Kelley--

Signed and Sealed this

Twenty-ninth Day of November, 1994

Attest:



BRUCE LEHMAN

Attesting Officer

Commissioner of Patents and Trademarks