



US00D327998S

United States Patent [19]

Williams

[11] Patent Number: **Des. 327,998**

[45] Date of Patent: **** Jul. 21, 1992**

[54] **REMOTE CONTROL STAND**

[76] Inventor: **Ronnie Williams**, 463 Alberta St., Altadena, Calif. 91101

[**] Term: **14 Years**

[21] Appl. No.: **778,687**

[22] Filed: **Oct. 16, 1991**

D. 288,876	3/1987	Goetz et al.	D6/449
D. 292,634	1/1988	Rattner	D6/420 X
D. 296,167	6/1988	Bosché	D6/467
4,073,460	2/1978	Dale	D6/420

Primary Examiner—Donald P. Walsh
Assistant Examiner—Jeffrey Asch
Attorney, Agent, or Firm—Sheldon & Mak

[57] **CLAIM**

The ornamental design for a remote control stand, as shown and described.

DESCRIPTION

FIG. 1 is a front, right side, and top perspective view of a remote control stand showing my new design; FIG. 2 is a front elevational view; FIG. 3 is a left side elevational view; FIG. 4 is a top plan view; FIG. 5 is a bottom plan view; FIG. 6 is a rear elevational view; FIG. 7 is a front, right side, and top perspective view of a second embodiment of the stand shown in FIG. 1; FIG. 8 is a front elevational view; FIG. 9 is a left side elevational view; FIG. 10 is a top plan view; FIG. 11 is a bottom plan view; and, FIG. 12 is a rear elevational view thereof. FIGS. 2-6 and 8-12 have been shown on an enlarged scale with respect to FIGS. 1 and 7.

Related U.S. Application Data

[62] Division of Ser. No. 245,540, Sep. 5, 1988.

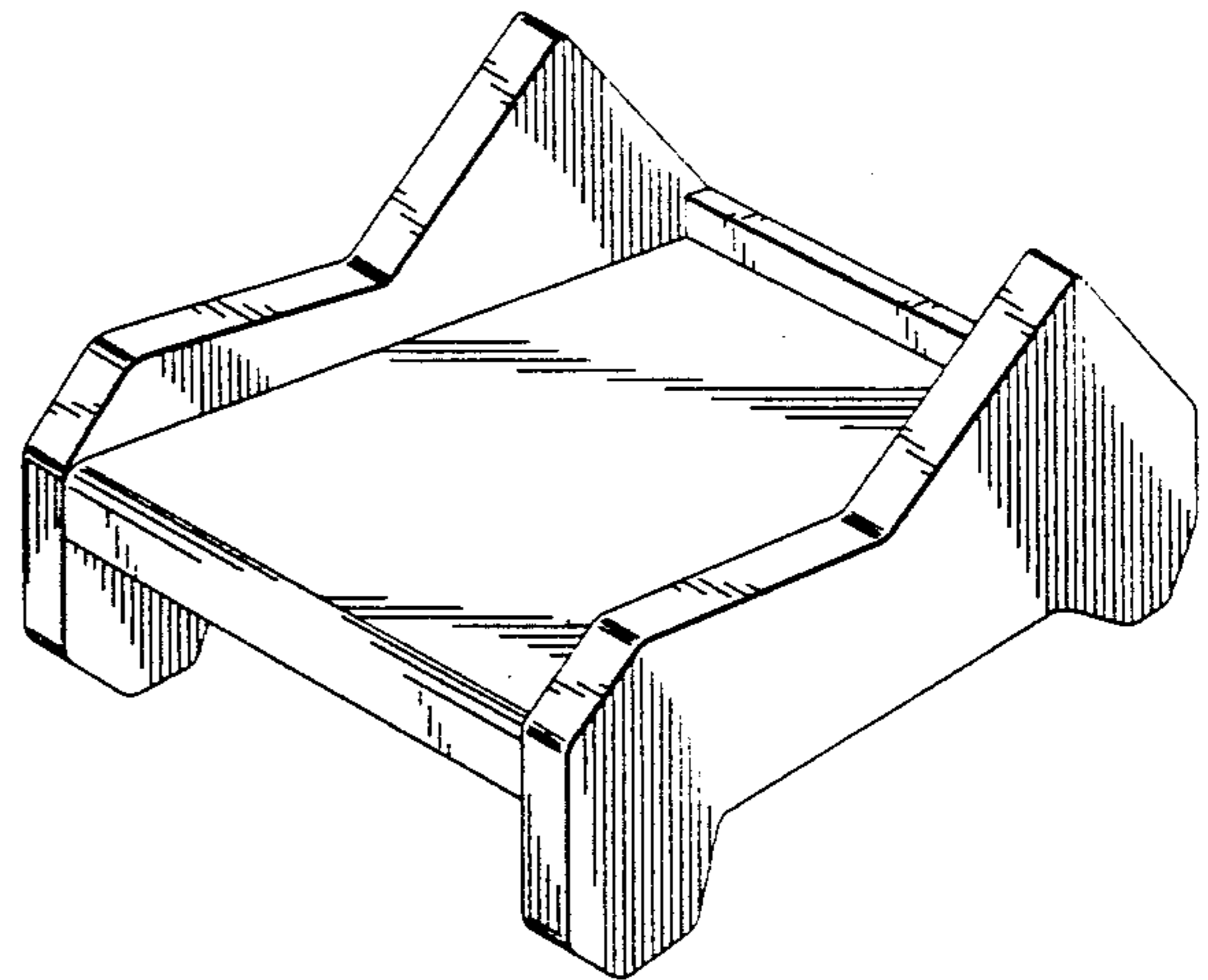
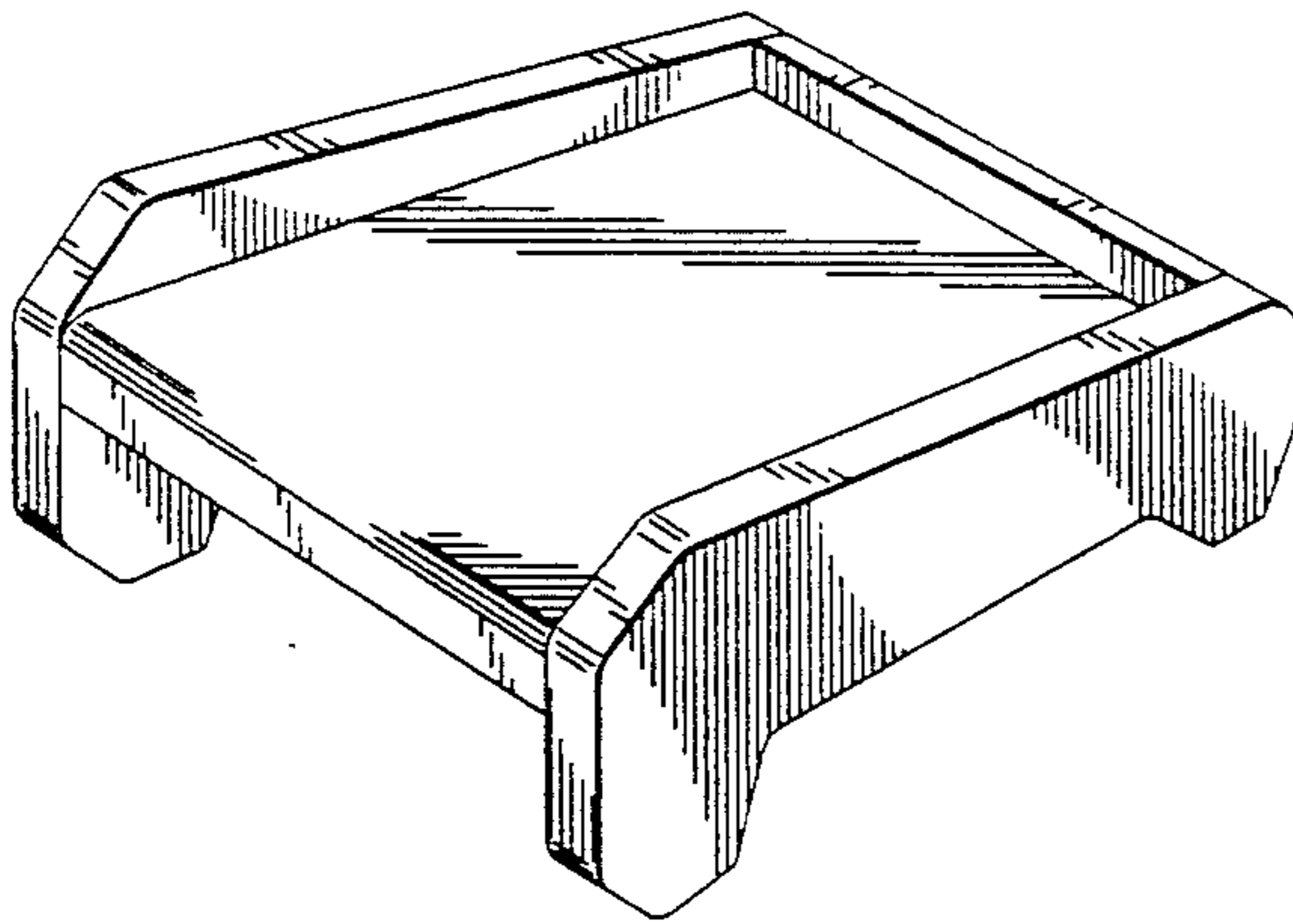
[52] U.S. Cl. **D6/475; D6/406; D6/420; D6/484**

[58] Field of Search **D6/449, 462, 463, 466, D6/473, 475, 467, 419, 420, 406, 511, 484, 485, 495; 211/13; 108/44, 43; 248/444.1; D19/92, 90; D21/48**

[56] **References Cited**

U.S. PATENT DOCUMENTS

D. 30,011	1/1899	Roberts	D6/449 X
D. 215,943	11/1969	Grainer	D6/420 X
D. 259,158	5/1981	Dyson	D6/449
D. 279,523	7/1985	Seltzer et al.	D6/449 X
D. 282,043	1/1986	Morin	D6/406 X
D. 284,049	6/1986	Nathan et al.	D6/473 X
D. 286,836	11/1986	Ginouves	D6/484



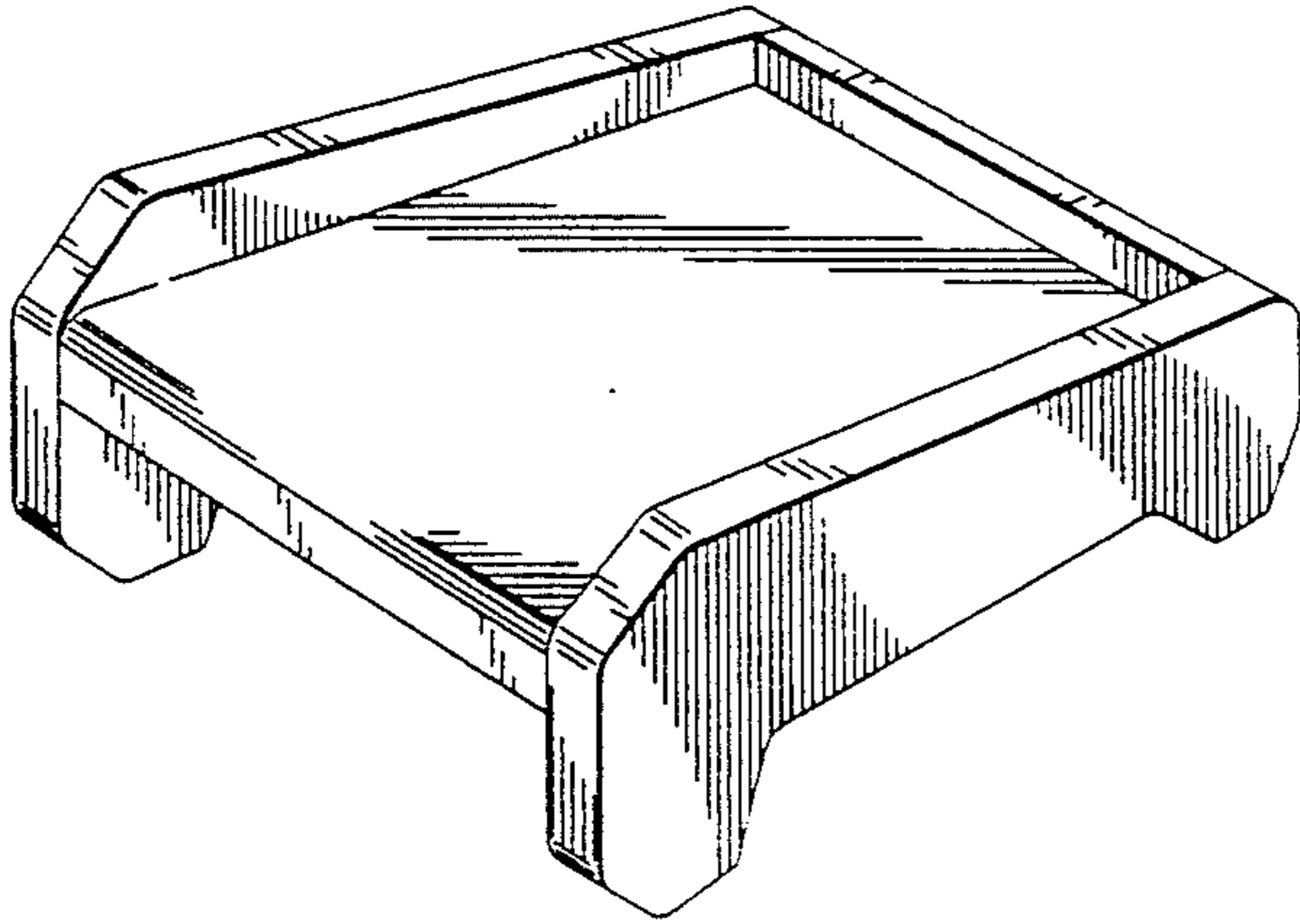


FIG. 1

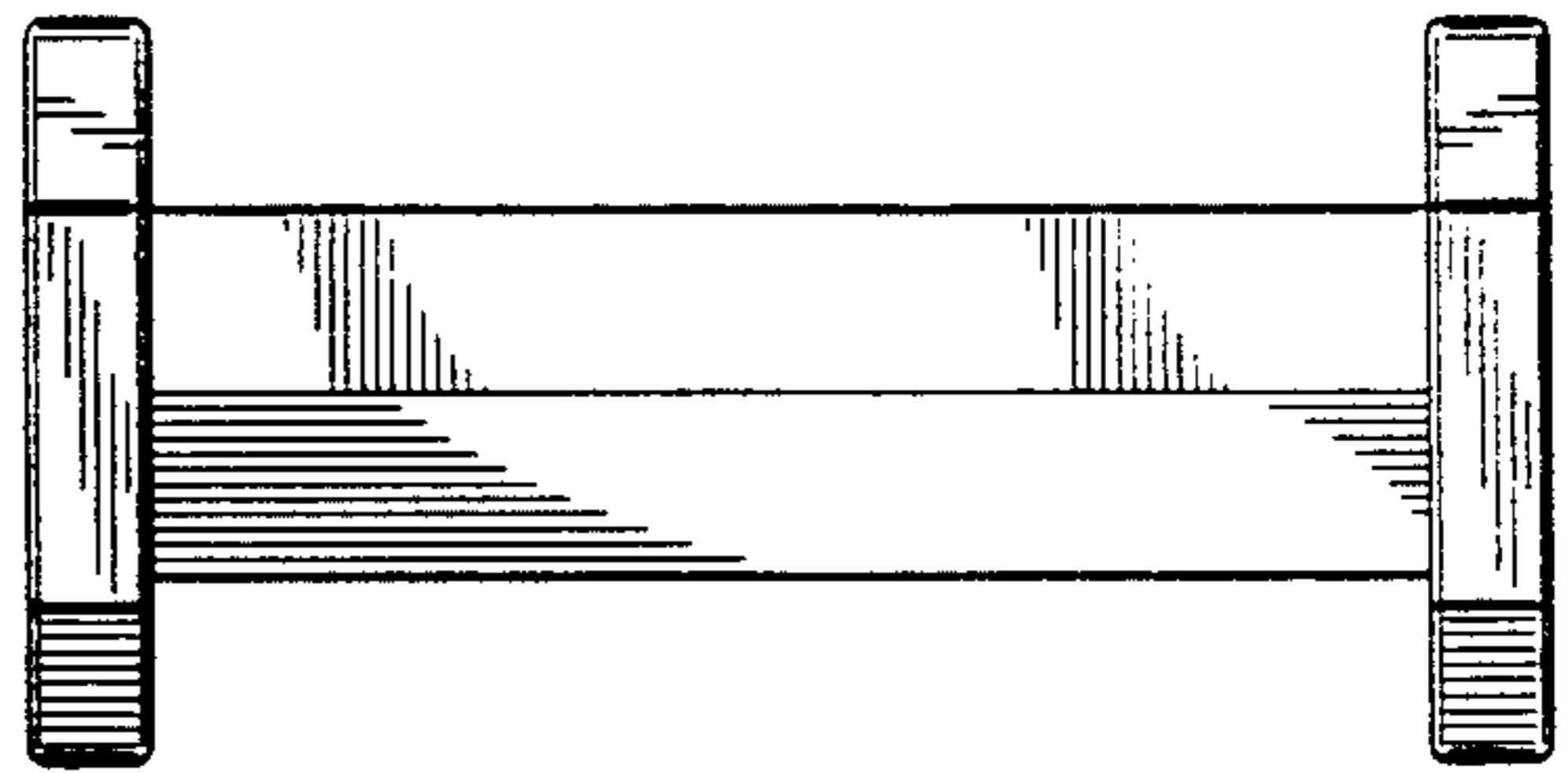


FIG. 2

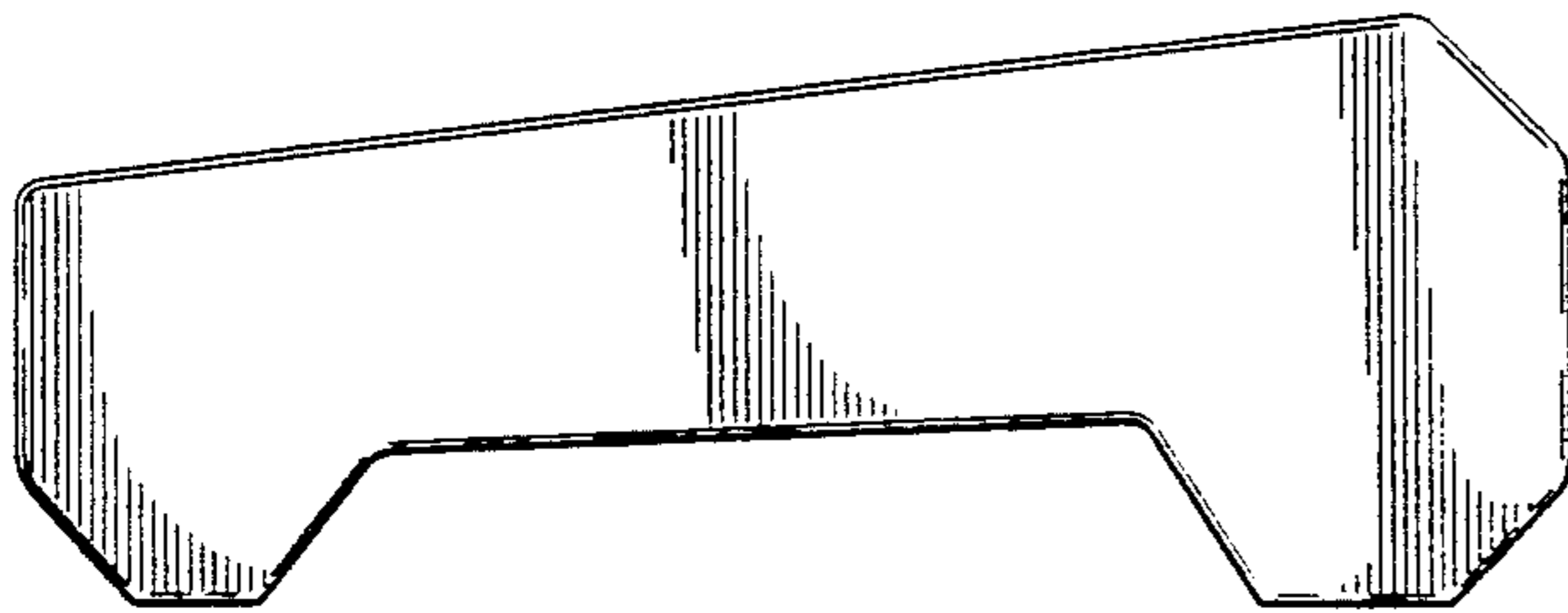


FIG. 3

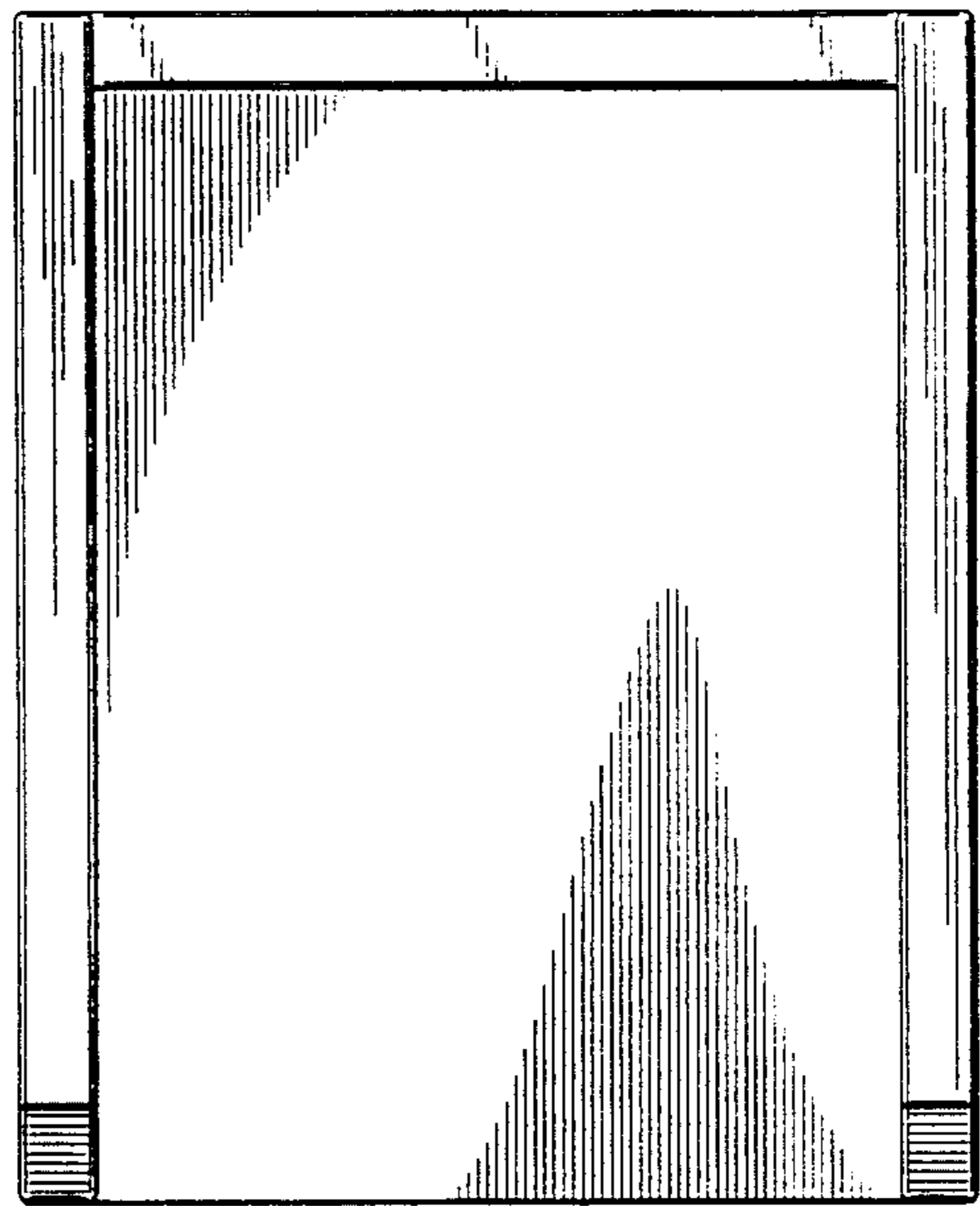


FIG. 4

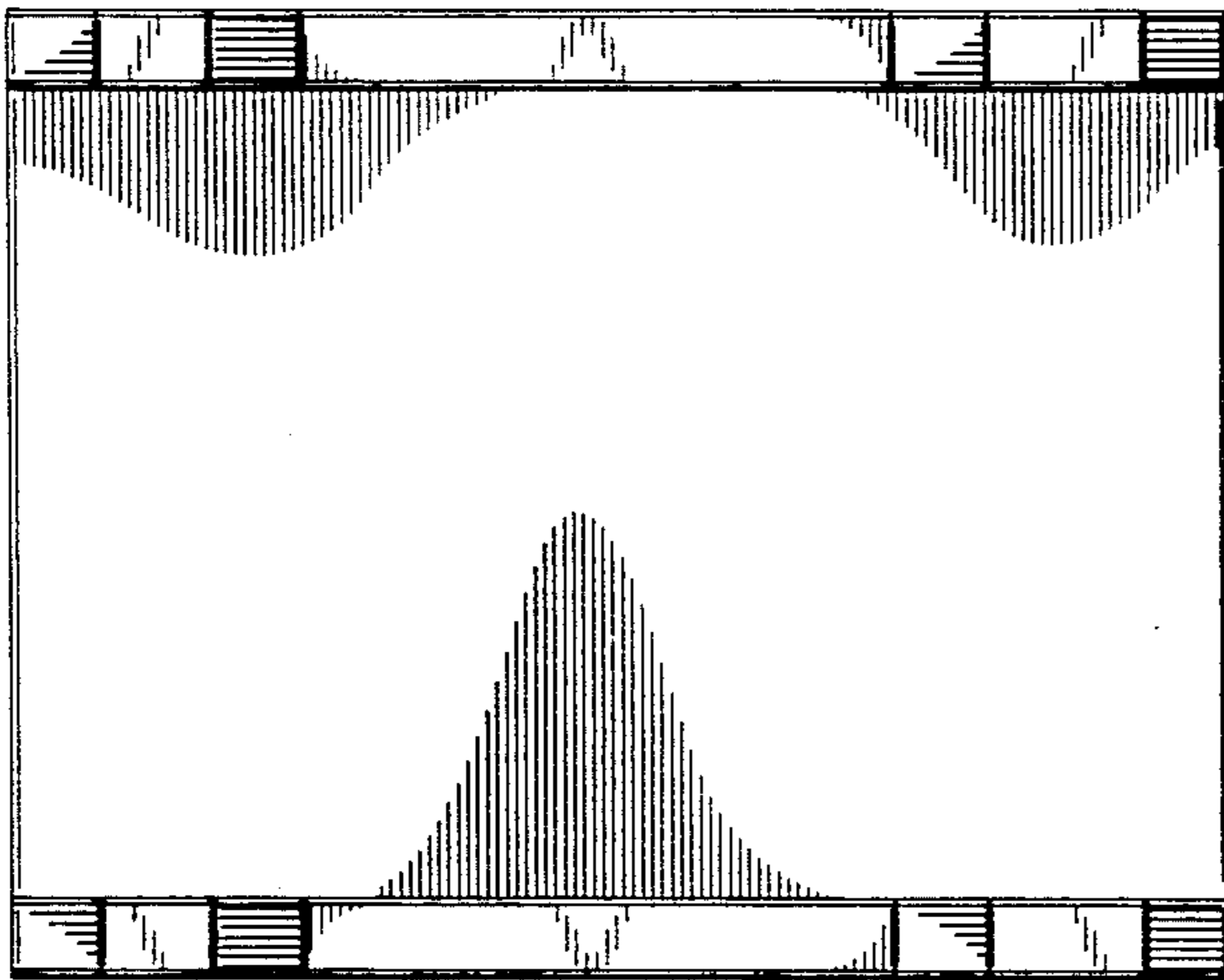


FIG. 5

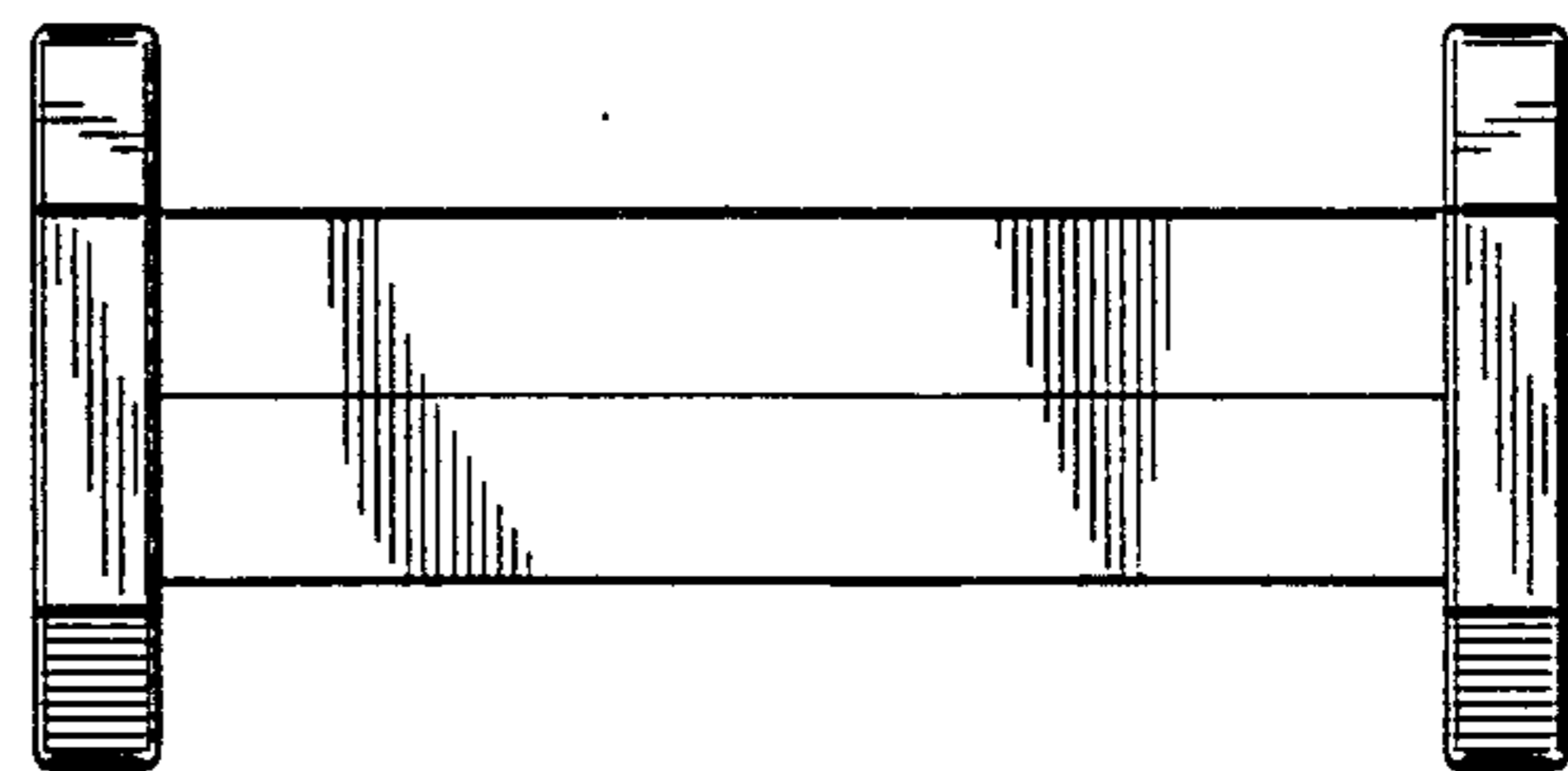


FIG. 6

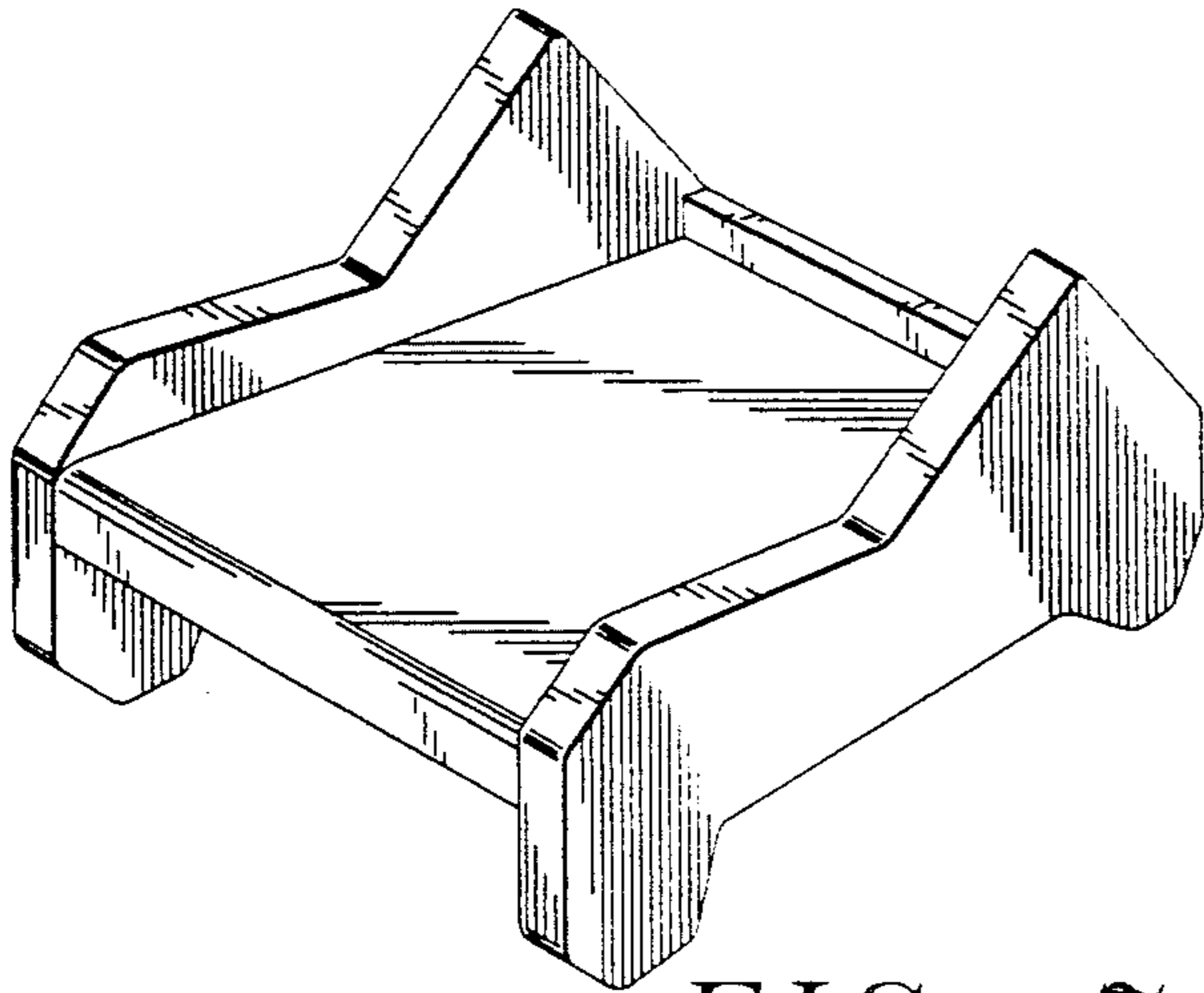


FIG. 7

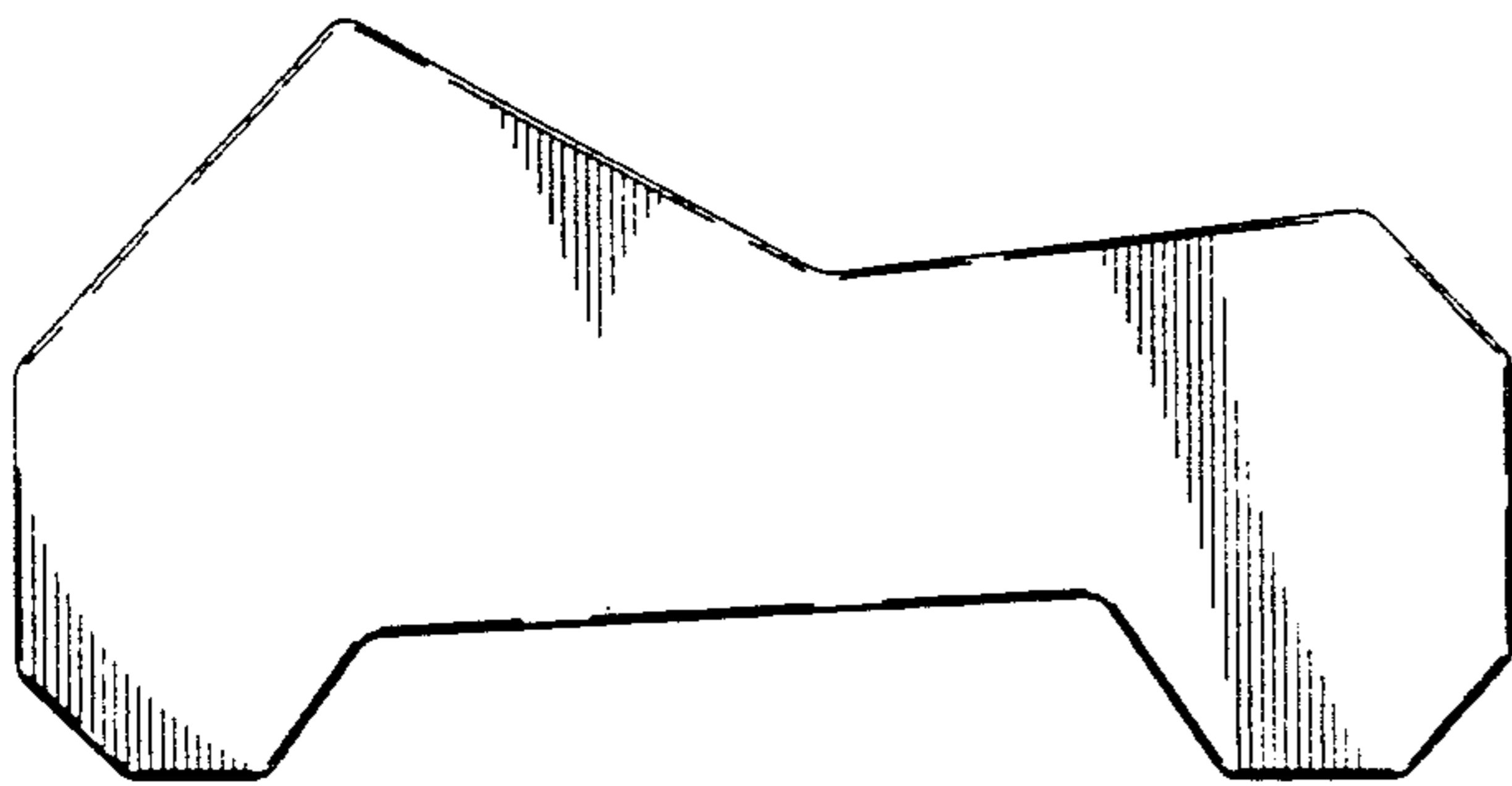


FIG. 9

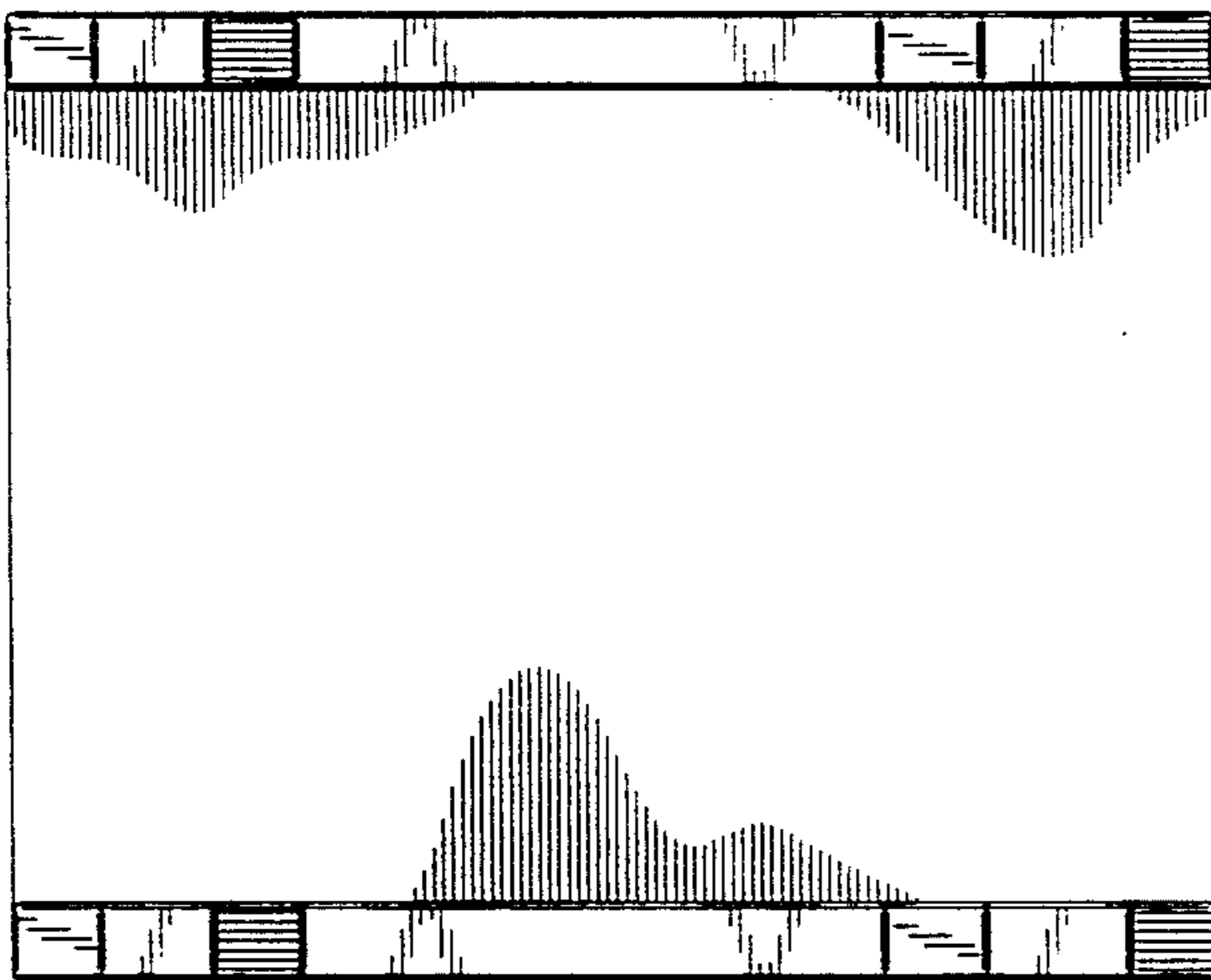


FIG. 11

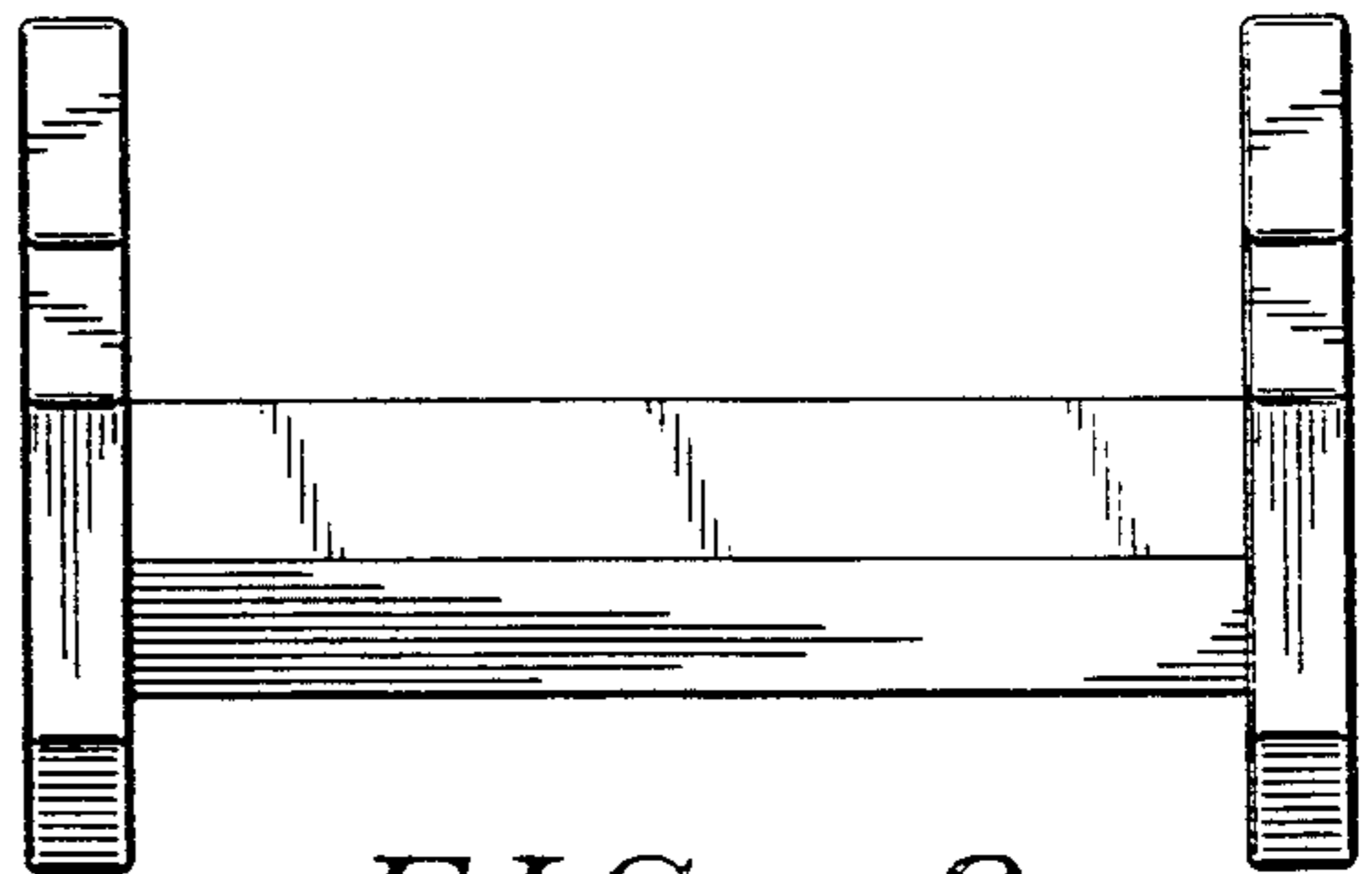


FIG. 8

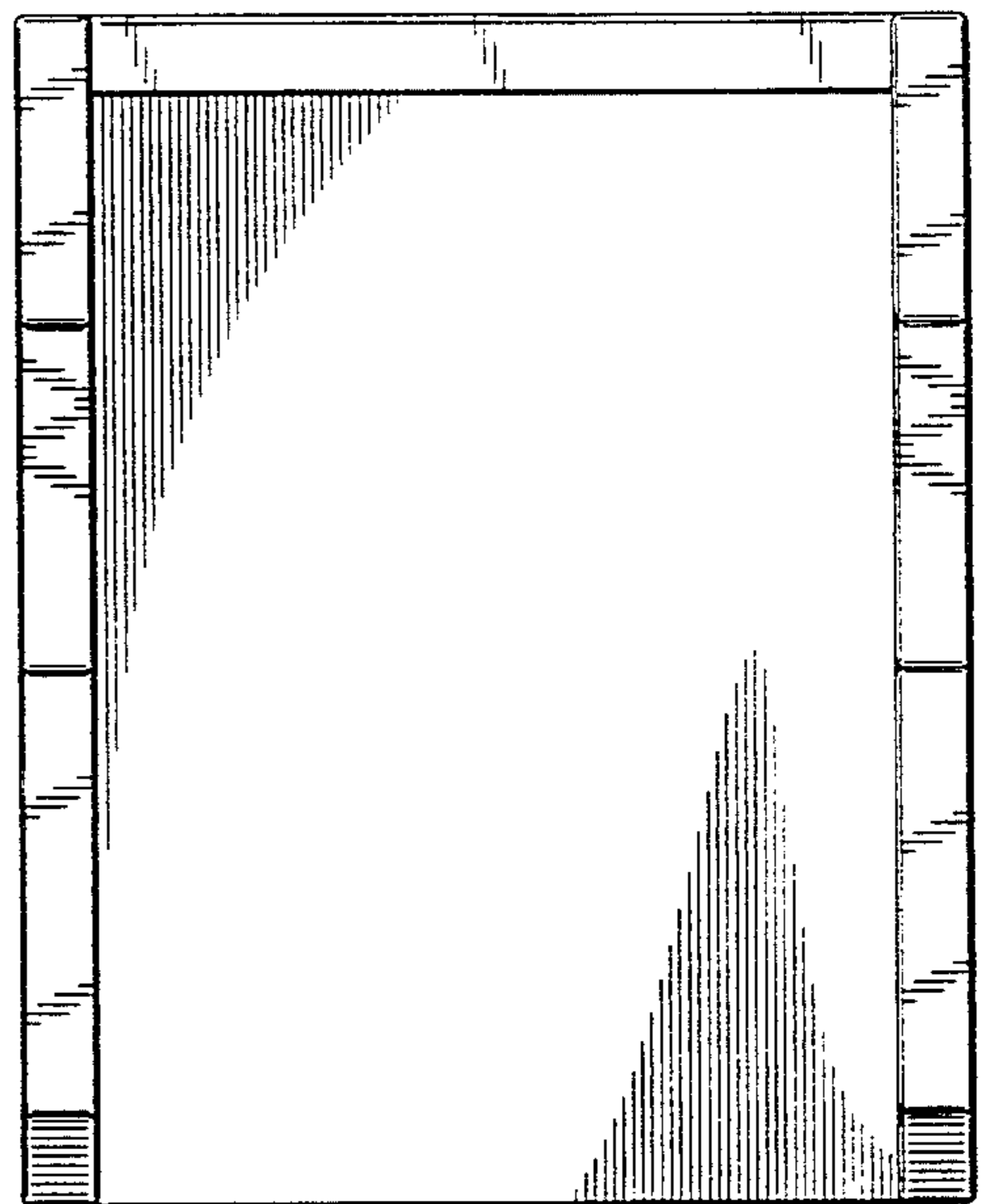


FIG. 10

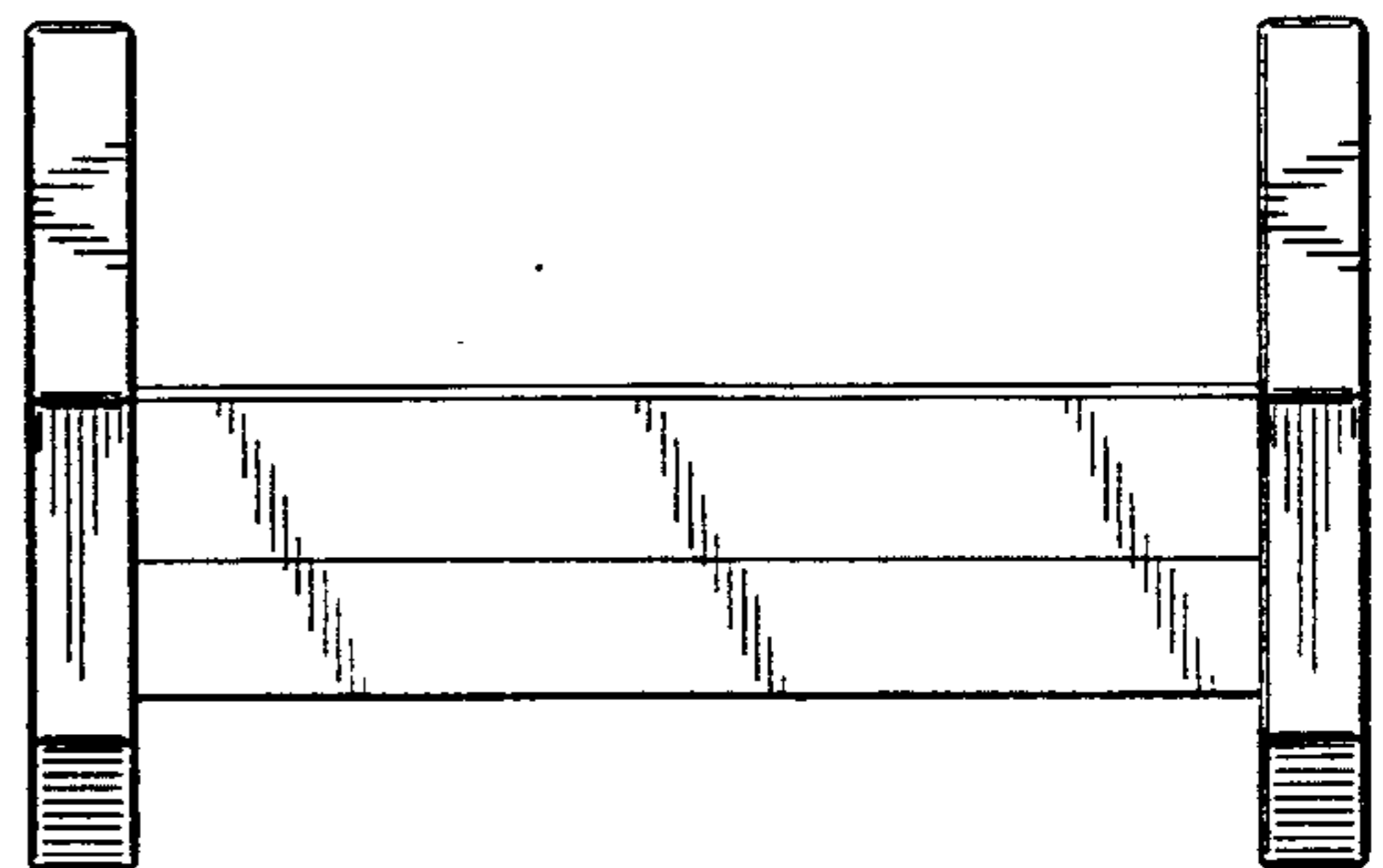


FIG. 12