



US00D327997S

United States Patent [19]

[11] Patent Number: **Des. 327,997**

Rubin

[45] Date of Patent: **** Jul. 21, 1992**

[54] **REAR OPENING JEWELRY DISPLAY CASE**

[75] Inventor: **Robert I. Rubin, St. Louis, Mo.**

[73] Assignee: **Jewelry Works, Inc., Maryland Heights, Mo.**

[**] Term: **14 Years**

[21] Appl. No.: **375,847**

[22] Filed: **Jul. 5, 1989**

[52] U.S. Cl. **D6/470; D6/314; D6/371**

[58] Field of Search **D6/396, 449, 470-472, D6/450, 473, 399, 310-314, 300, 466-468, 462-465; 211/13; 206/45.34, 566, 495**

[56] **References Cited**

U.S. PATENT DOCUMENTS

- D. 127,830 6/1941 Meyer D6/472
- D. 128,141 7/1941 Meyer D6/472
- D. 176,140 11/1955 Jossem D6/463
- D. 196,825 11/1963 Stephens, Jr. D6/468

- D. 249,993 10/1978 Kelly D6/473 X
- D. 268,368 3/1983 Moss D6/471 X
- D. 282,988 3/1986 Woolard D6/471
- D. 300,394 3/1989 Blum et al. D6/471
- D. 319,746 9/1991 Rubin D6/314 X

Primary Examiner—Donald P. Walsh
Assistant Examiner—Jeffrey Asch
Attorney, Agent, or Firm—Jerome A. Gross

[57] **CLAIM**

The ornamental design for rear opening jewelry display case, as shown and described.

DESCRIPTION

FIG. 1 is a front elevational view of a rear opening jewelry display case showing my new design; FIG. 2 is a right side elevational view, the left side being a mirror image thereof; FIG. 3 is a top plan view thereof; FIG. 4 is a rear elevational view thereof; and, FIG. 5 is a front perspective view thereof. The bottom is plain and unornamented.

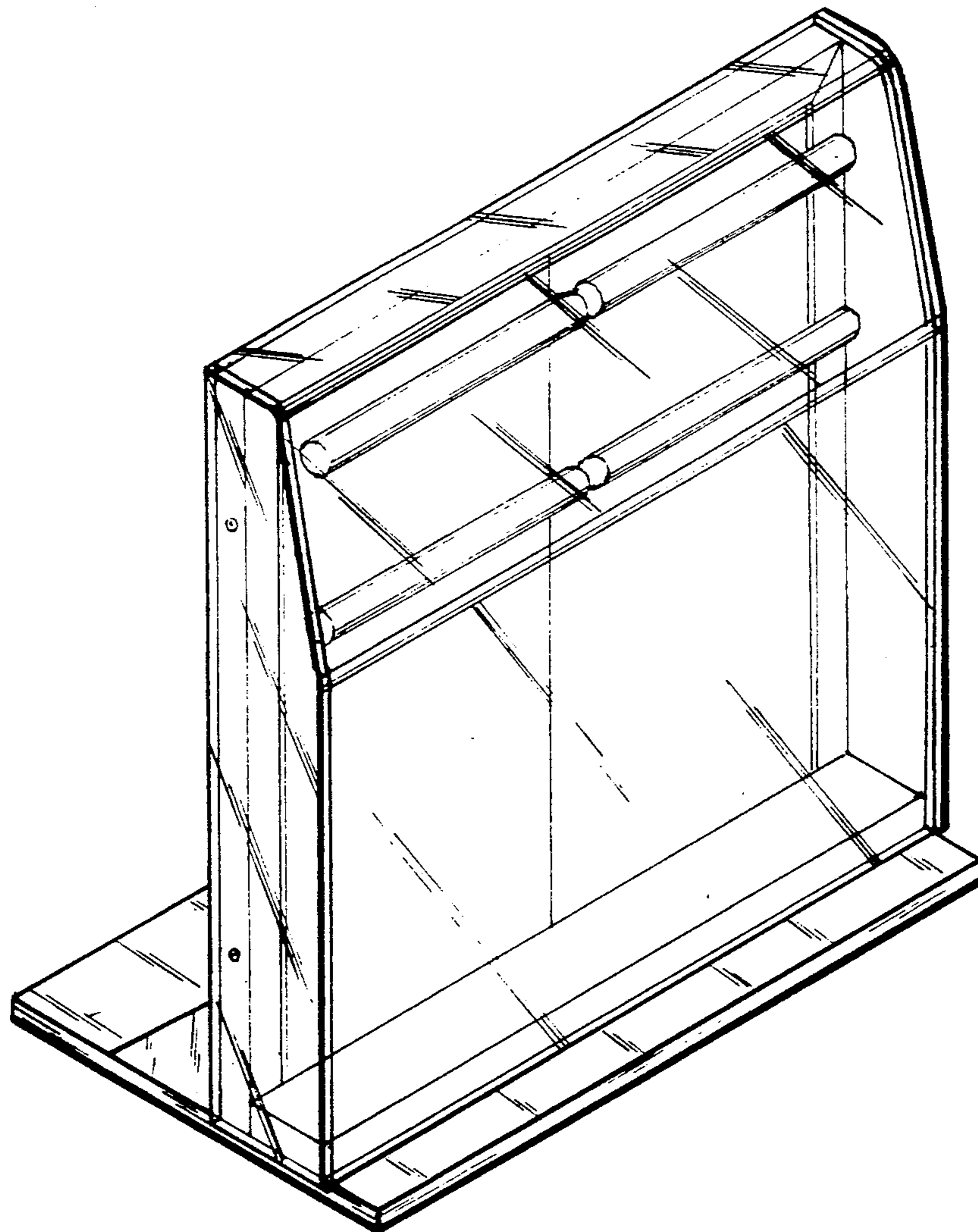


FIG. 1

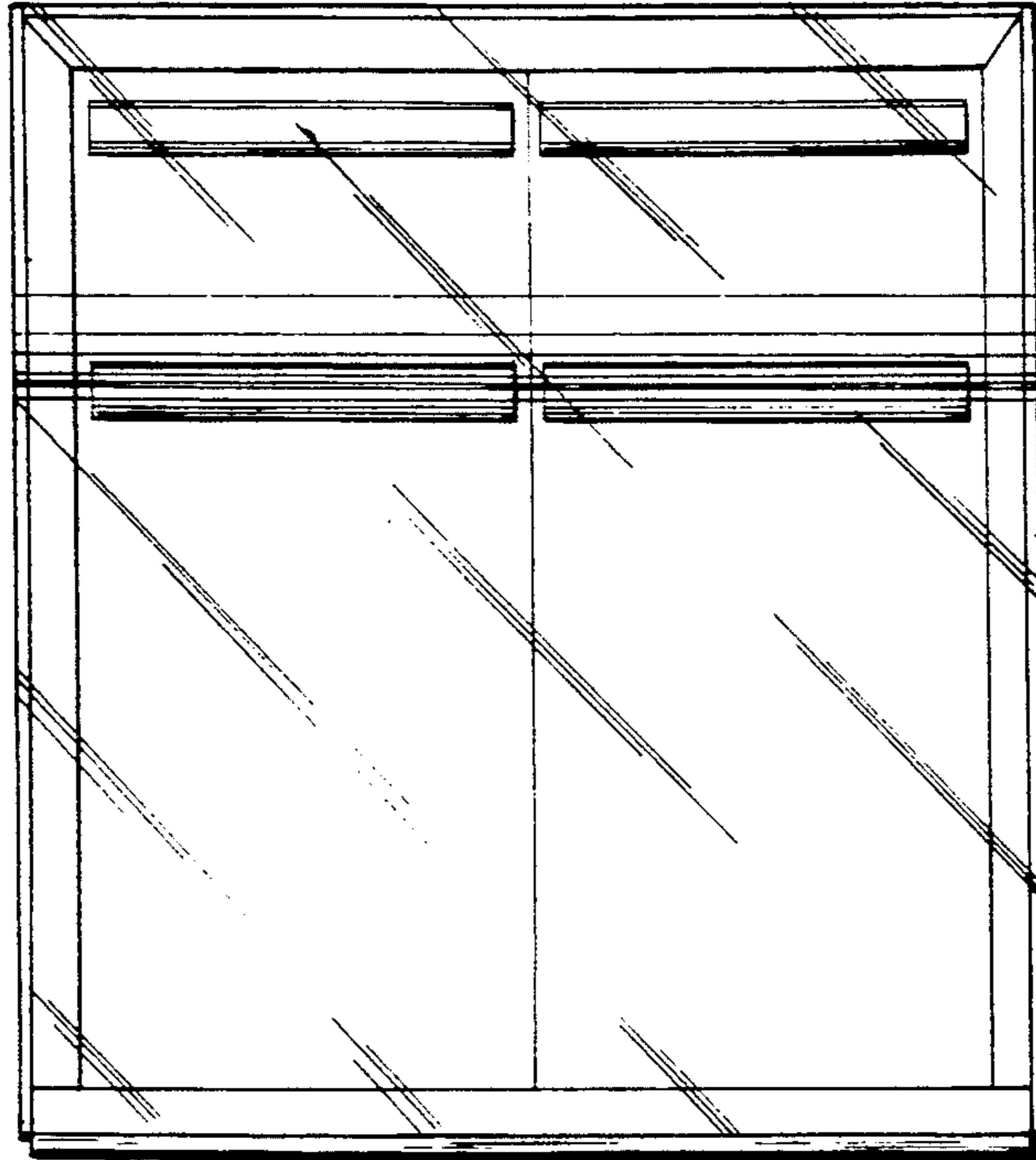


FIG. 2

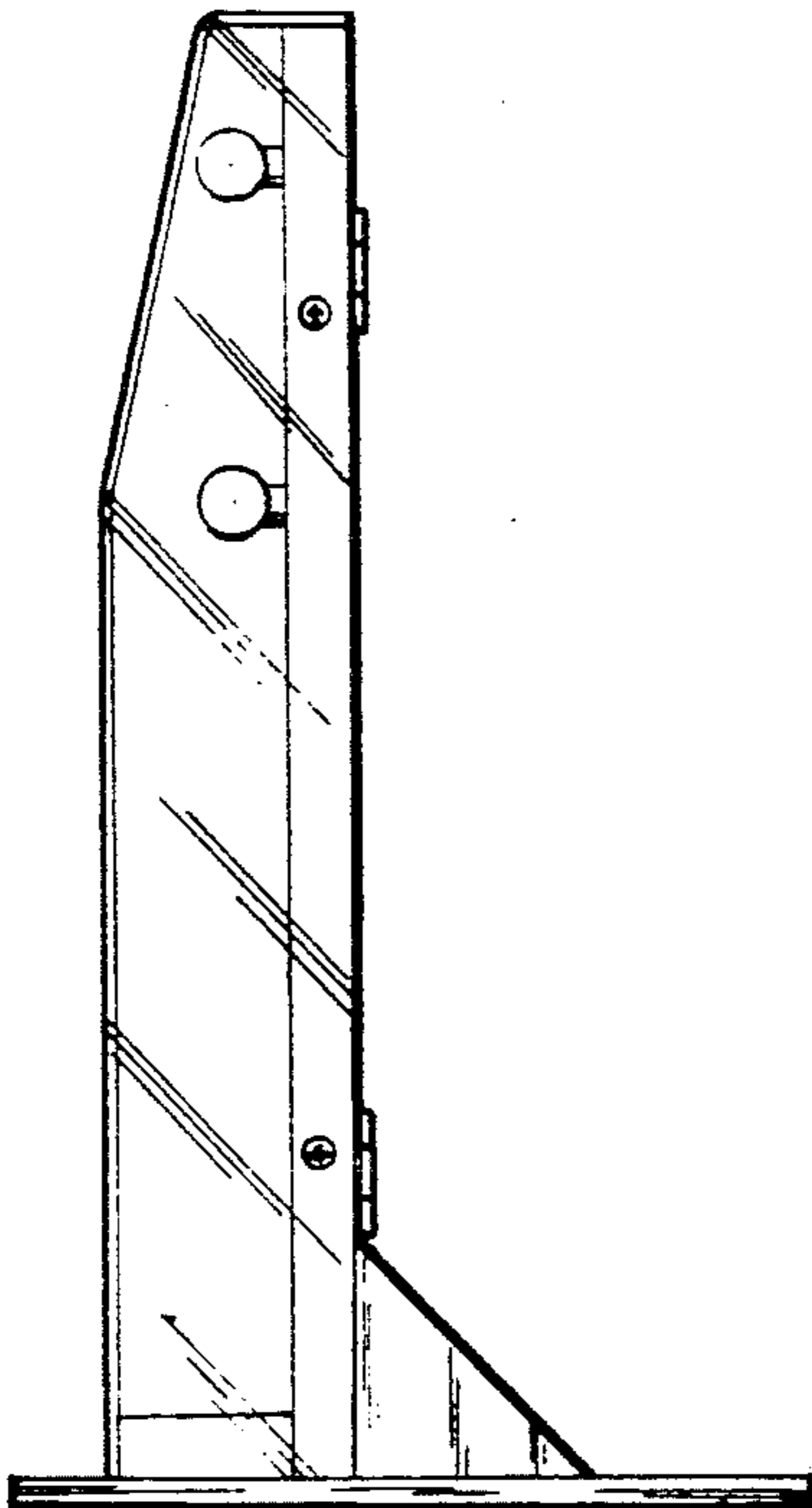


FIG. 3

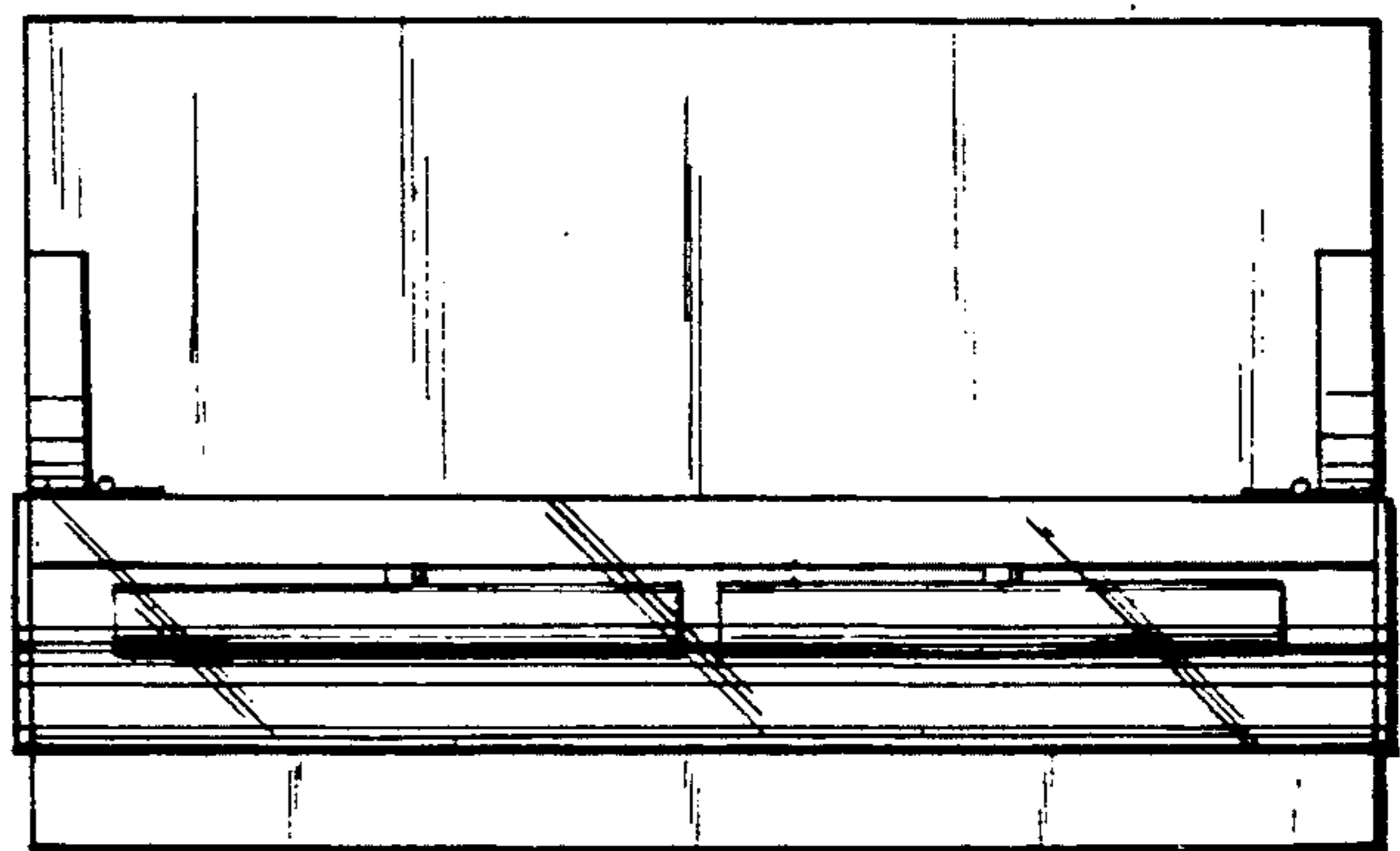


FIG. 4

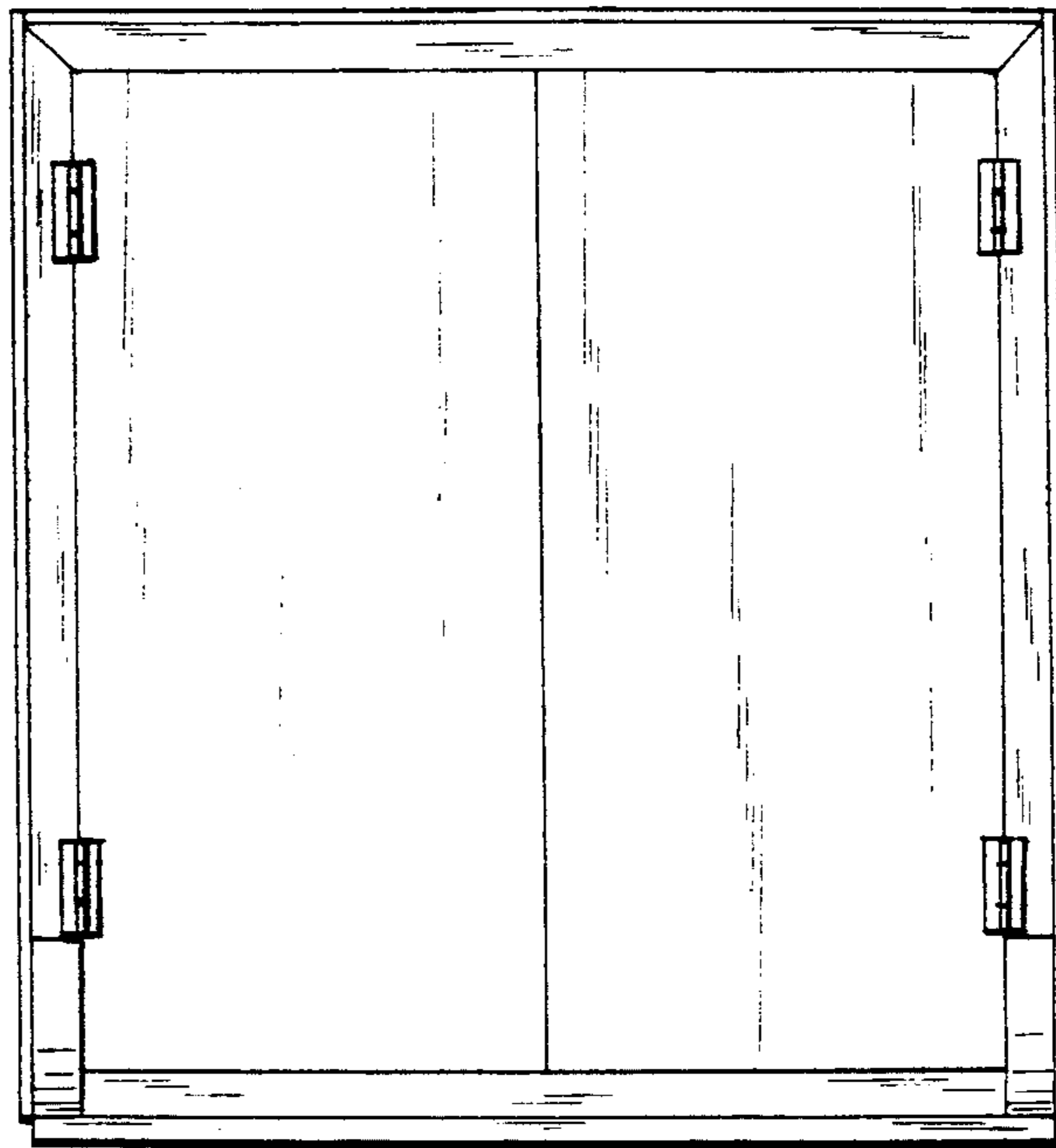


FIG. 5

