



US00D327996S

United States Patent [19]

[11] Patent Number: Des. 327,996

Warfield

[45] Date of Patent: ** Jul. 21, 1992

[54] DISPLAY STAND OR SIMILAR ARTICLE

[76] Inventor: Donald R. Warfield, 201 Bergen Ct.,
Vacaville, Calif. 95687

[**] Term: 14 Years

[21] Appl. No.: 451,553

[22] Filed: Dec. 18, 1989

[52] U.S. Cl. D6/457; D3/35;
D6/407

[58] Field of Search D3/30.1, 35, 74;
D6/397, 407, 449, 455-461, 467; 211/40, 41,
163, 13; 312/10

[56] References Cited

U.S. PATENT DOCUMENTS

D. 180,765	8/1957	Briskin	D3/35 X
D. 214,350	6/1969	Silverman	D6/455 X
D. 279,045	6/1985	Hall	D6/407 X
D. 308,607	6/1990	Price et al.	D6/407

D. 311,467	10/1990	Prendergast et al.	D6/455 X
D. 318,580	7/1991	Sjostrom	D6/407
4,511,194	4/1985	Park et al.	D6/407 X
4,819,801	4/1989	Howard	211/40 X

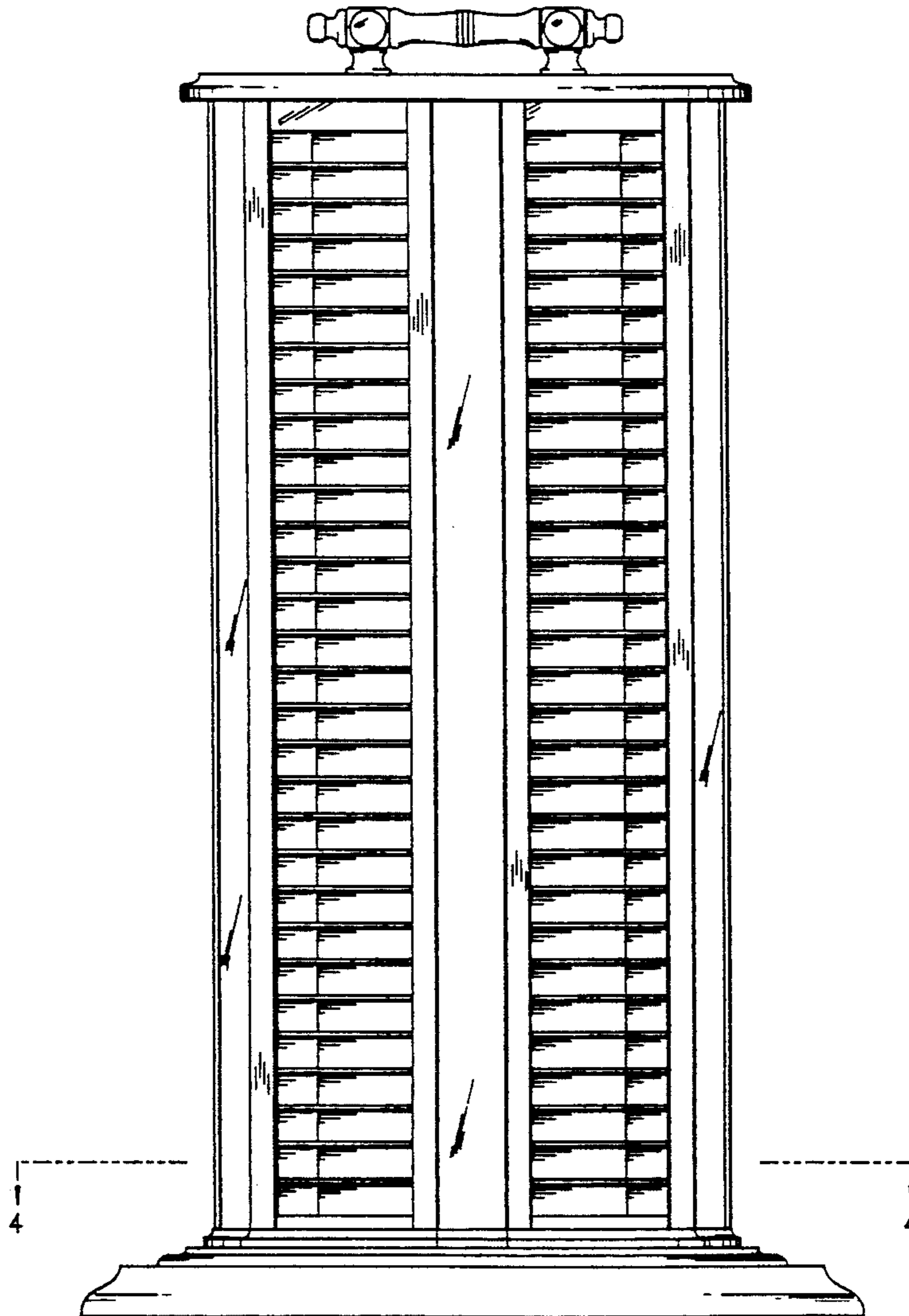
Primary Examiner—Donald P. Walsh
Assistant Examiner—Jeffrey Asch
Attorney, Agent, or Firm—Bielen, Peterson & Lampe

[57] CLAIM

The ornamental design for a display stand or similar article, as shown and described.

DESCRIPTION

FIG. 1 is a front elevational view of a display stand or similar article showing our new design, the rear being a mirror image thereof;
FIG. 2 is a right side elevational view, the left side being a mirror image thereof;
FIG. 3 is a top plan view thereof; and,
FIG. 4 is a cross-sectional view thereof taken along line 4—4 in FIG. 1.



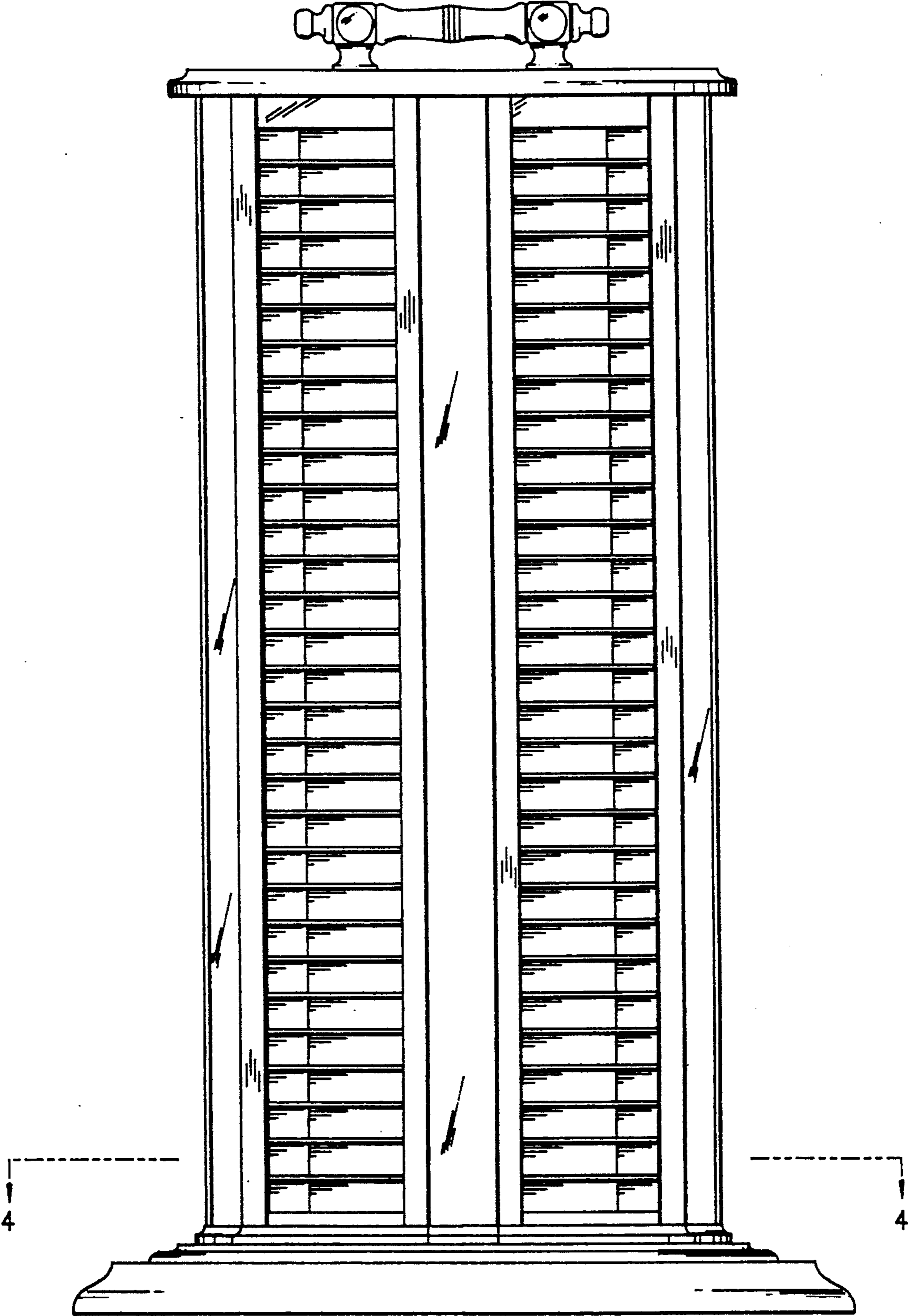


Fig. 1

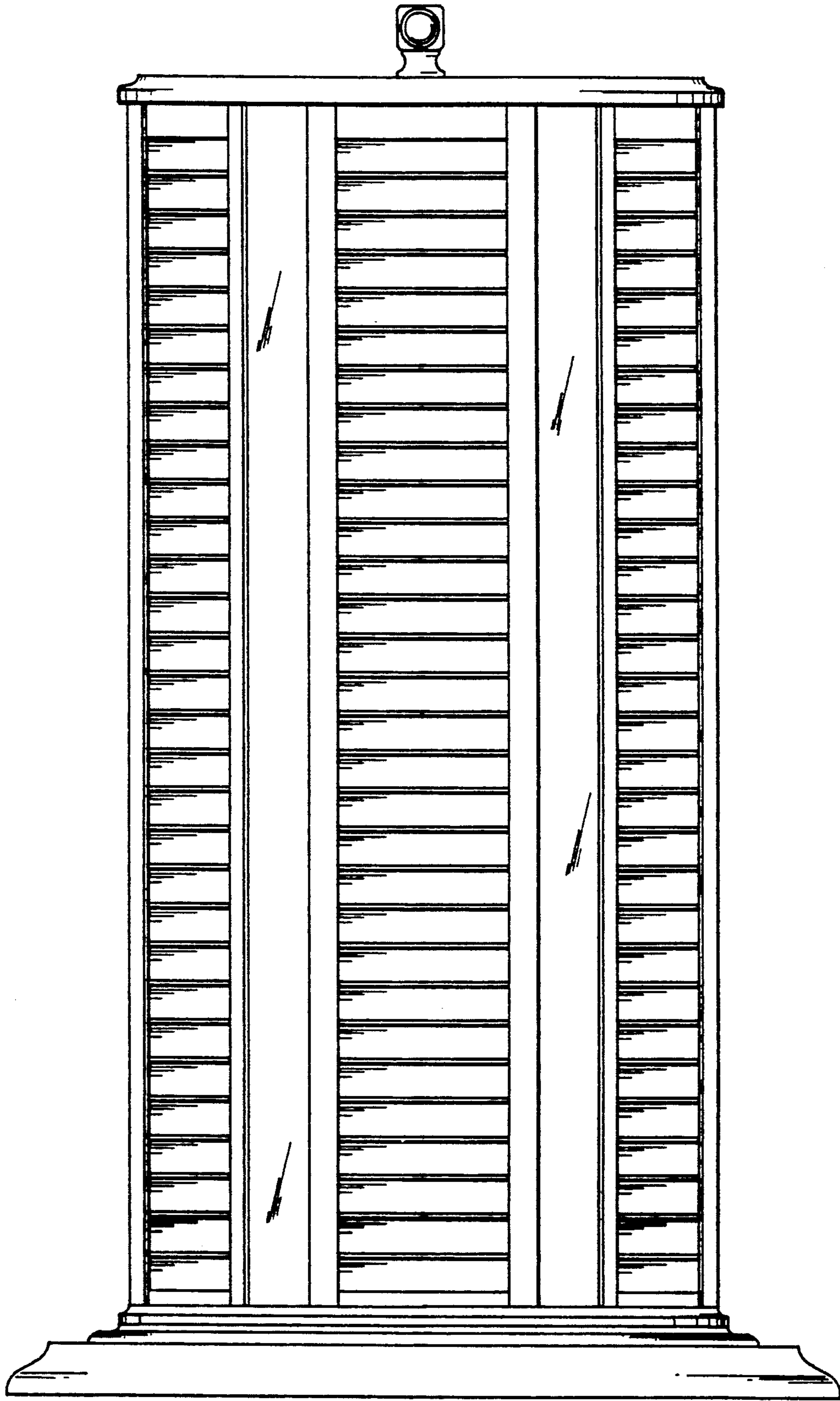


FIG. 2

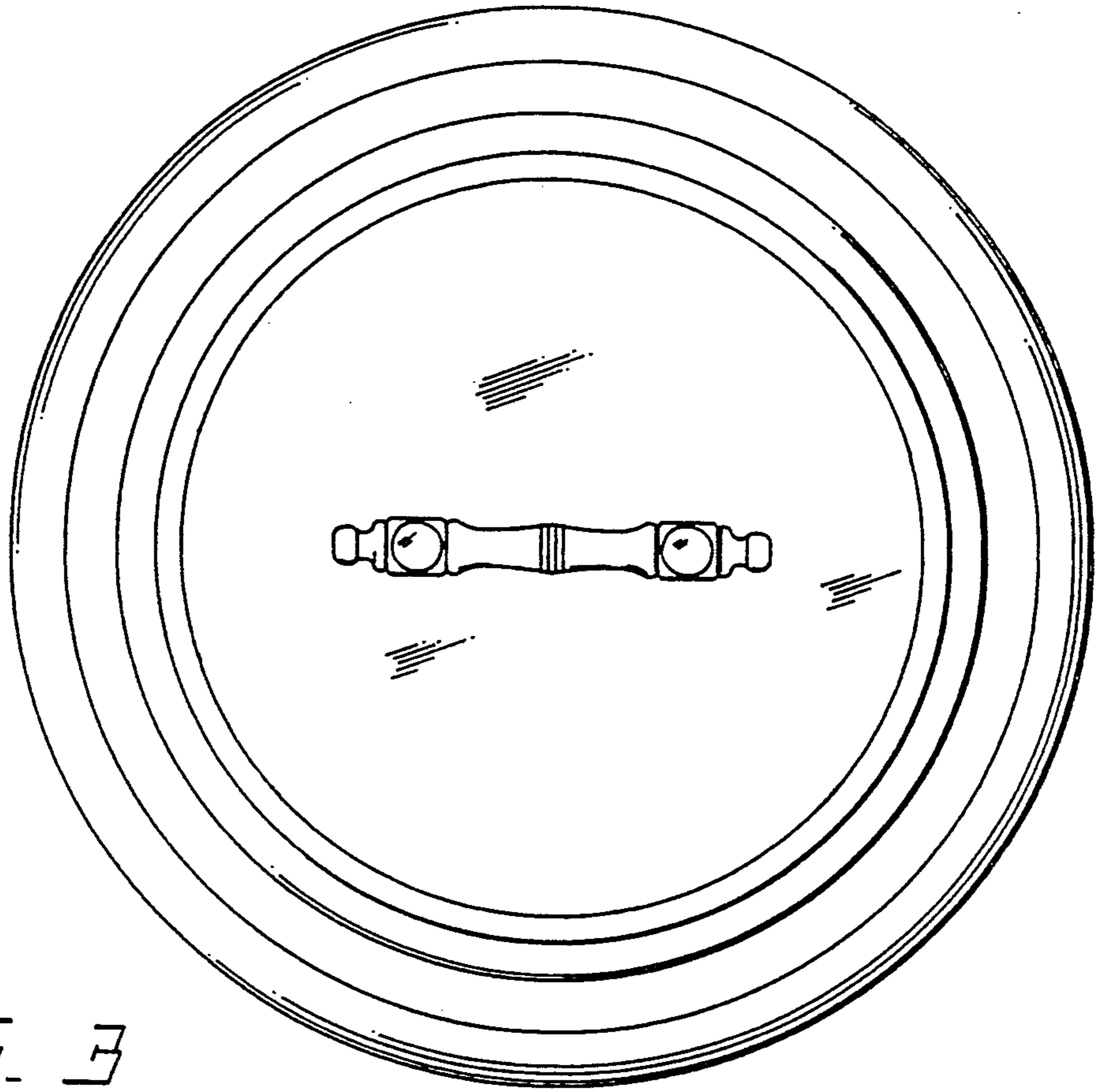


FIG. 3

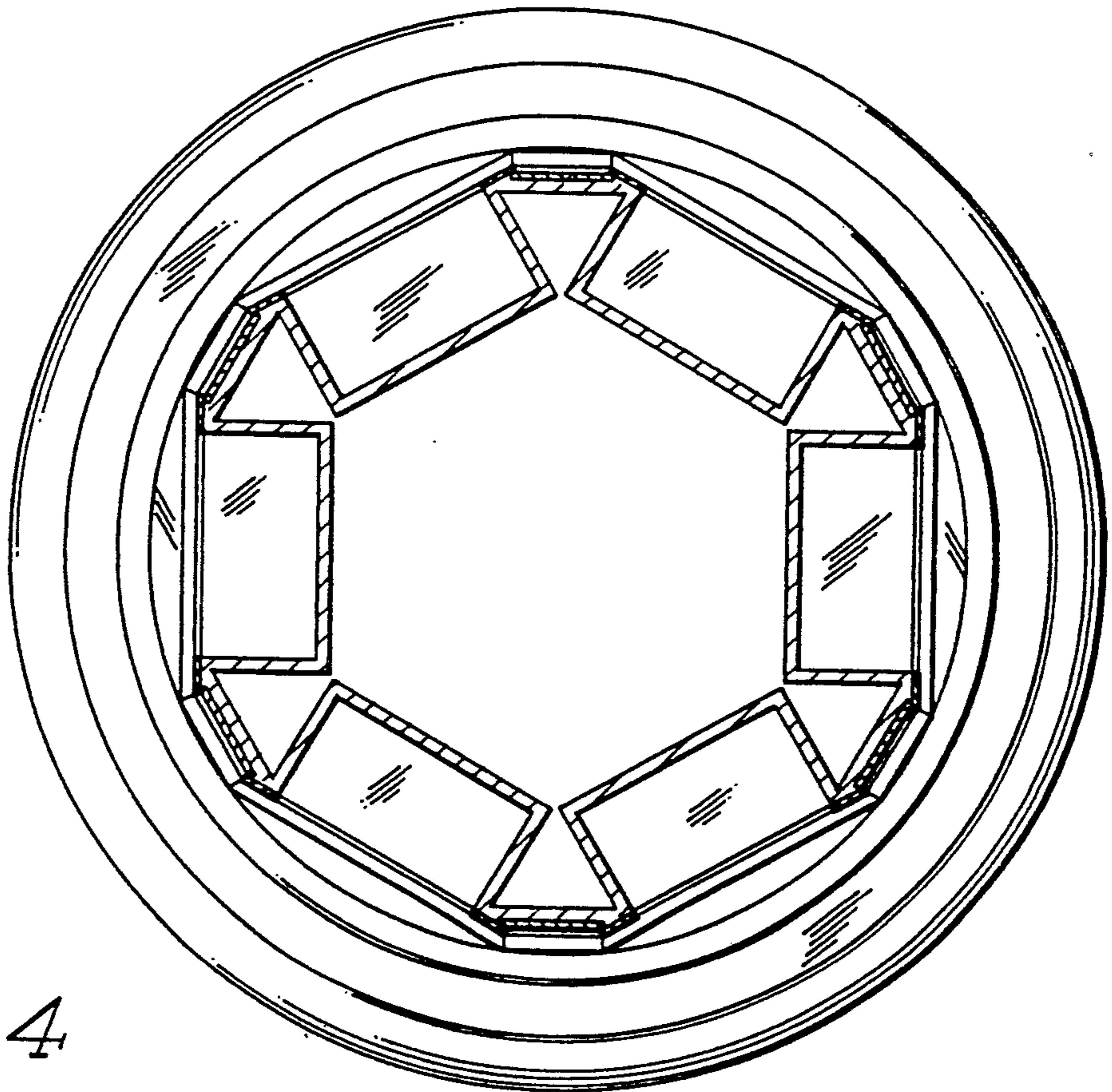


FIG. 4