



US00D327995S

# United States Patent [19]

[11] Patent Number: **Des. 327,995**

**Brunner et al.**

[45] Date of Patent: **\*\* Jul. 21, 1992**

[54] **DRESSER**

[75] Inventors: **Merlin A. Brunner**, Appleton;  
**Harvey J. Draheim**, Weyauwega,  
both of Wis.

[73] Assignee: **Simmons Juvenile Products  
Company, Inc.**, New London, Wis.

[\*\*] Term: **14 Years**

[21] Appl. No.: **397,081**

[22] Filed: **Aug. 21, 1989**

[52] U.S. Cl. .... **D6/446; D6/396;  
D6/429; D6/432; D6/434; D6/445; 312/348.3**

[58] Field of Search ..... **D6/446, 310, 301, 311-315,  
D6/406, 411, 412, 419, 420, 429, 430, 431, 434,  
435; D7/546, 550-554, 698, 699; 312/224, 225,  
245, 246, 298, 350, 348.3, 348.4, 348.5; 211/151**

[56] **References Cited**

**U.S. PATENT DOCUMENTS**

D. 109,985	4/1938	Hickerson .....	D6/434
D. 267,377	12/1982	Mower et al. ....	D6/434
185,409	12/1876	Smith .....	312/348.3
1,551,982	9/1925	Doerr .....	312/245 X
4,274,685	6/1981	Bradshaw .....	D6/429 X

**OTHER PUBLICATIONS**

*Burlington Furniture Cat.*, inside back cover, "Chest No. 310-250", bottom left corner of page.

*Ethan Allen Cat.*, p. 201, "Night Table", bottom right corner of page.

*Pennsylvania House*, p. 107, "Miniature Chest No. 13-1125", bottom center of page.

*Primary Examiner*—Donald P. Walsh

*Assistant Examiner*—Monica A. Hannon

*Attorney, Agent, or Firm*—Hoffmann & Baron

[57] **CLAIM**

The ornamental design for a dresser, as shown and described.

**DESCRIPTION**

FIG. 1 is a front perspective view of a dresser showing our new design;

FIG. 2 is a front elevation view thereof;

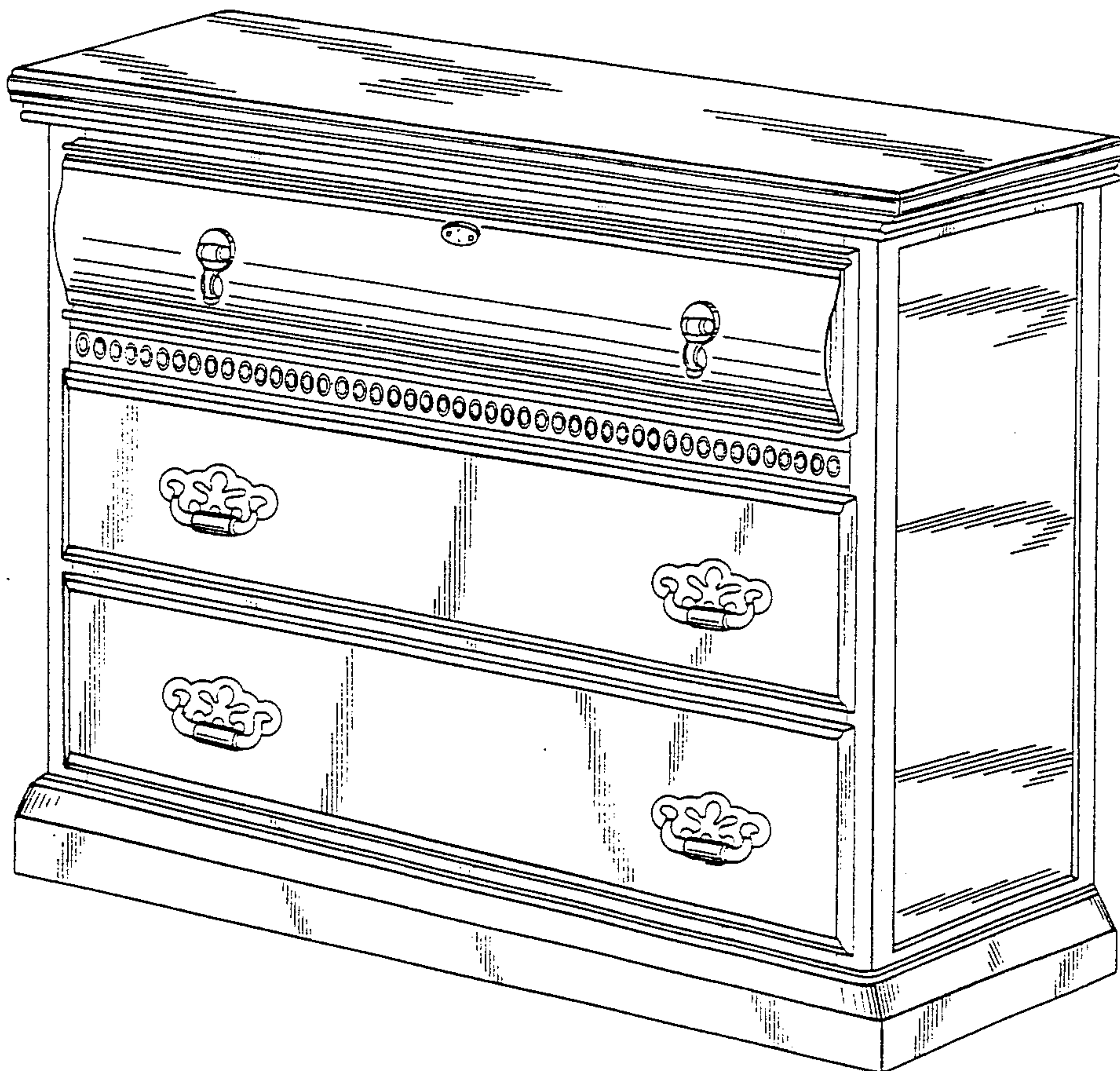
FIG. 3 is a top plan view thereof;

FIG. 4 is a side elevation view thereof, the opposite side being a mirror image thereof;

FIG. 5 is an enlarged partial sectional view taken along line 5-5 of FIG. 2; and,

FIG. 6 is an enlarged partial sectional view taken along line 6-6 of FIG. 2.

The rear side of the dresser is flat and unadorned.



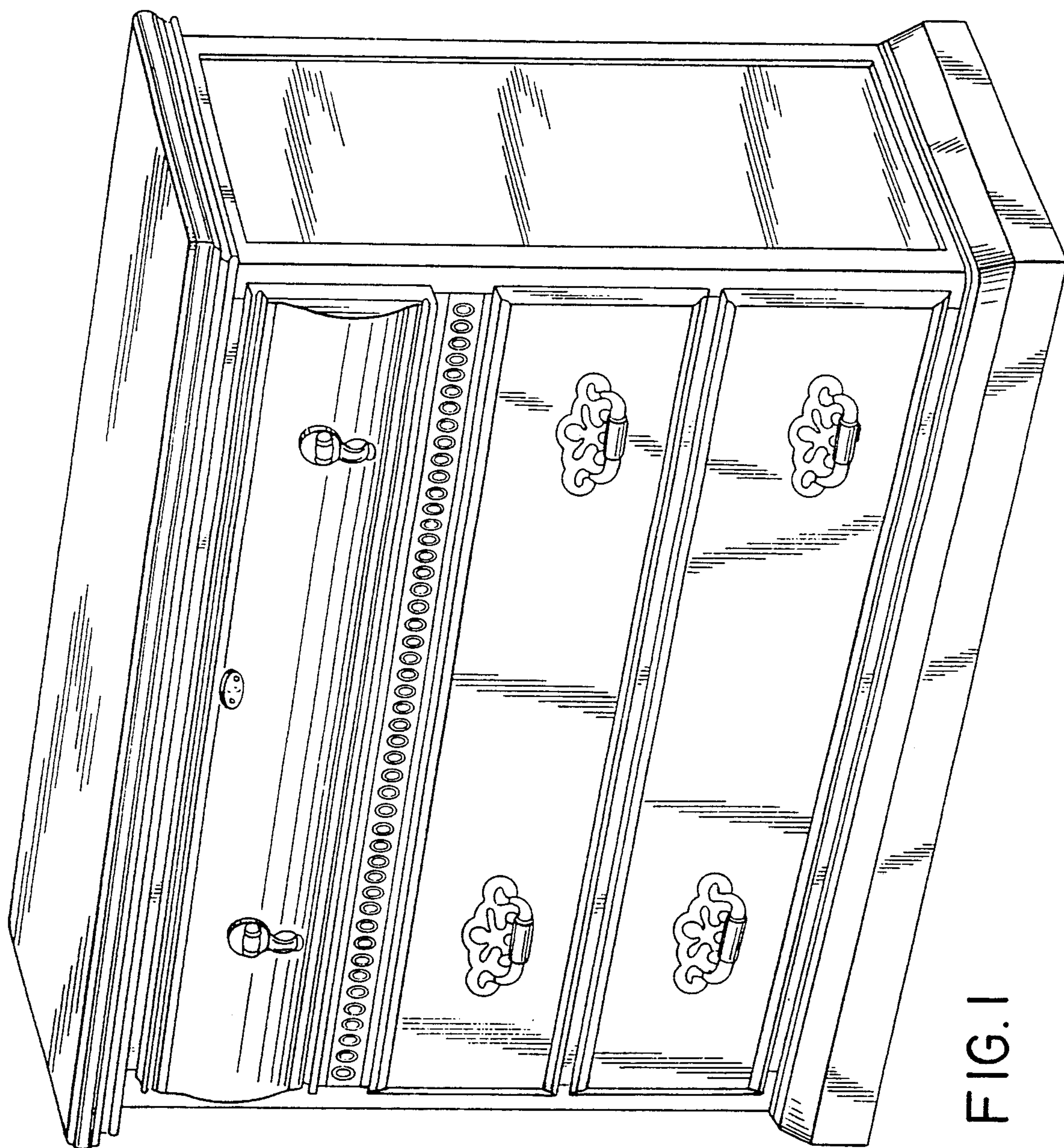


FIG. 1



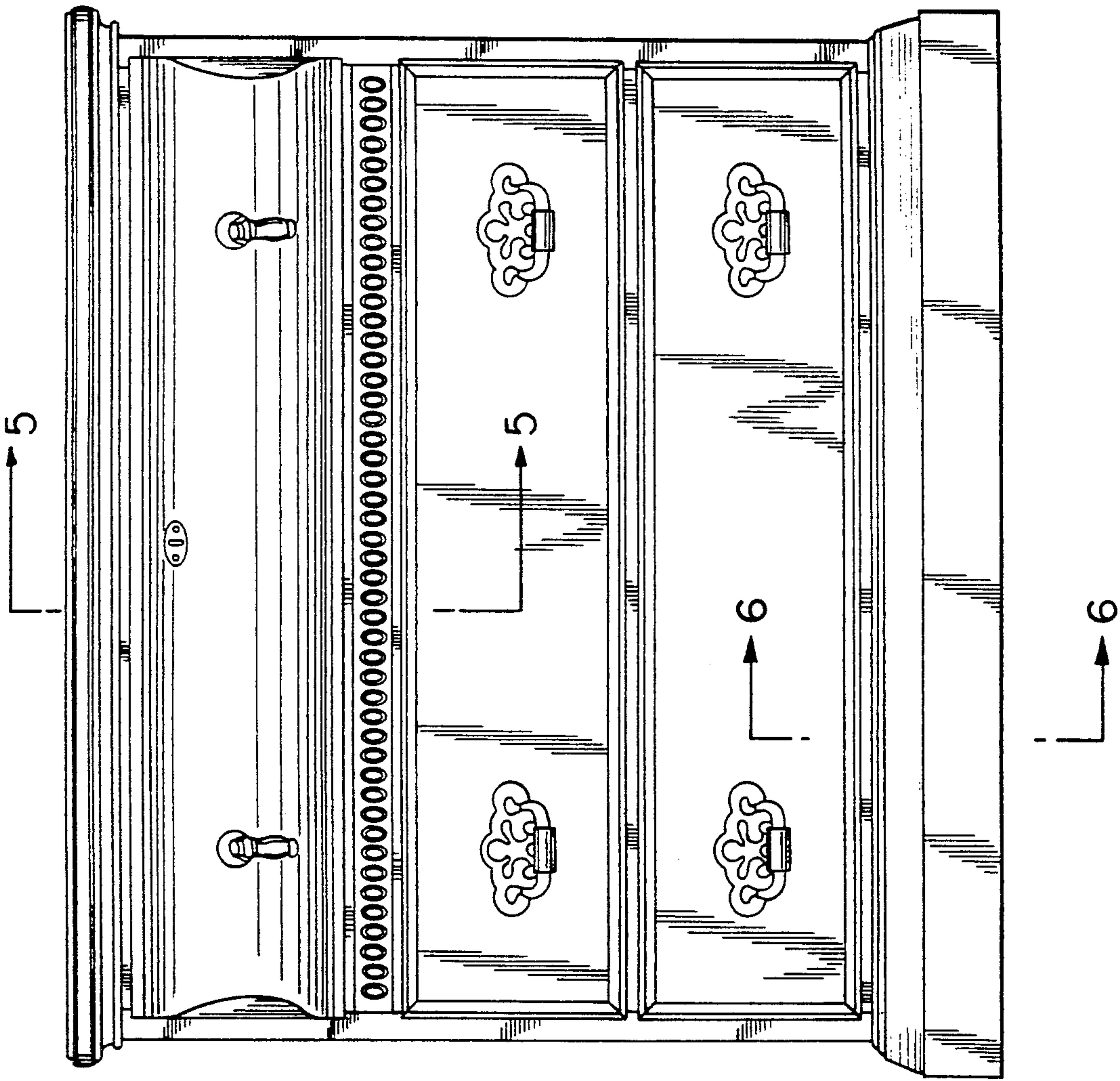


FIG. 2

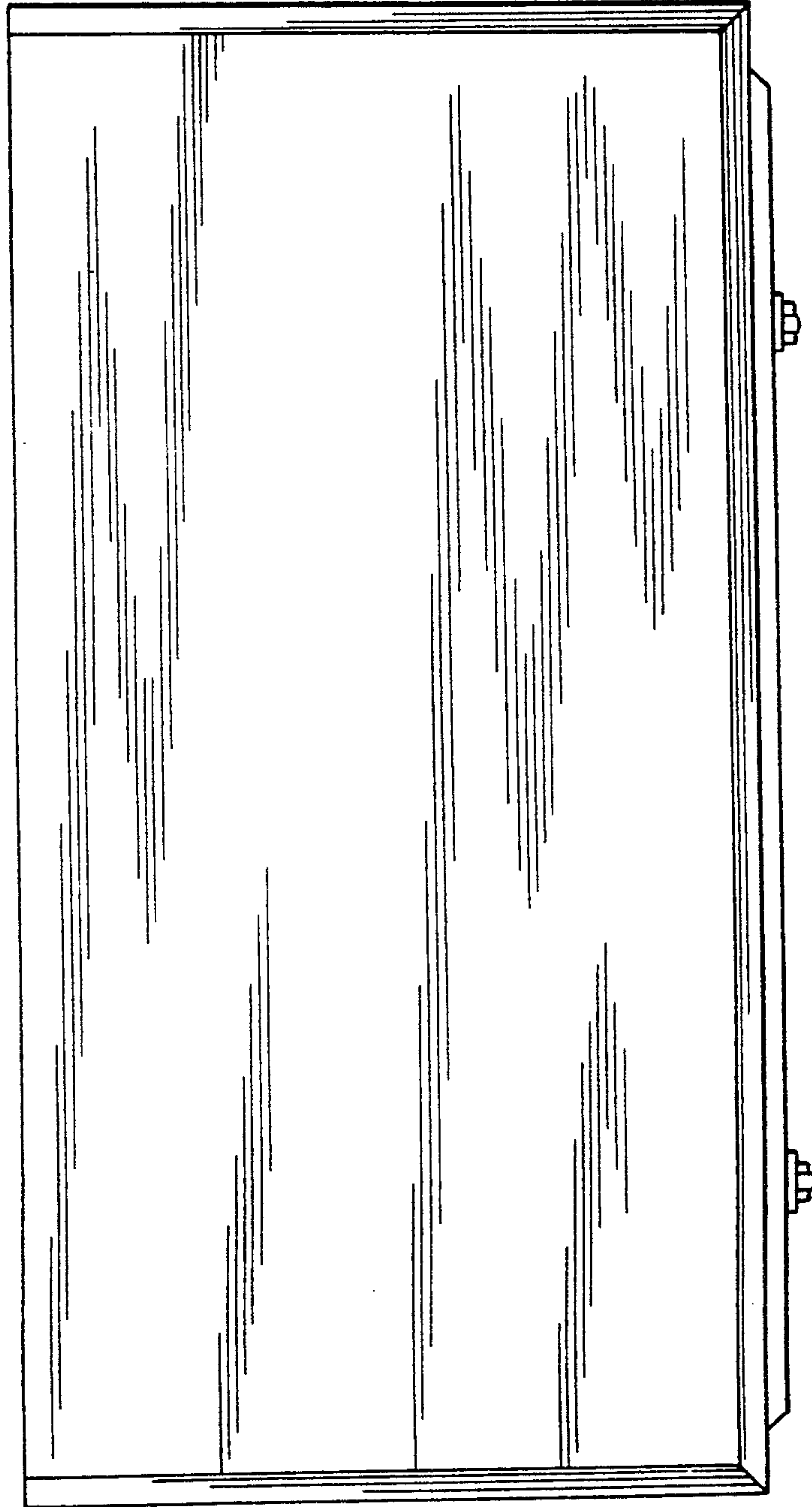


FIG. 3

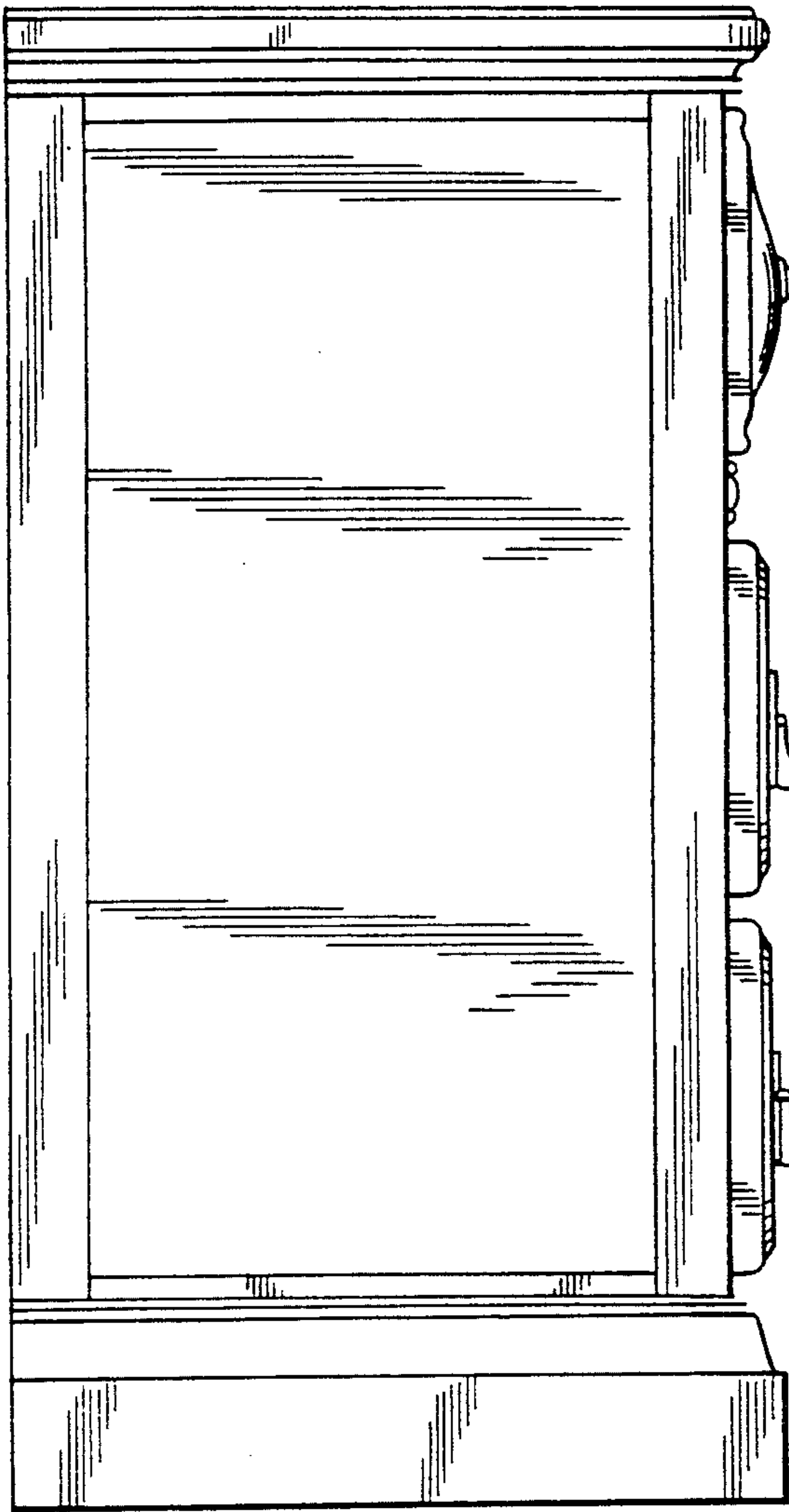


FIG. 4

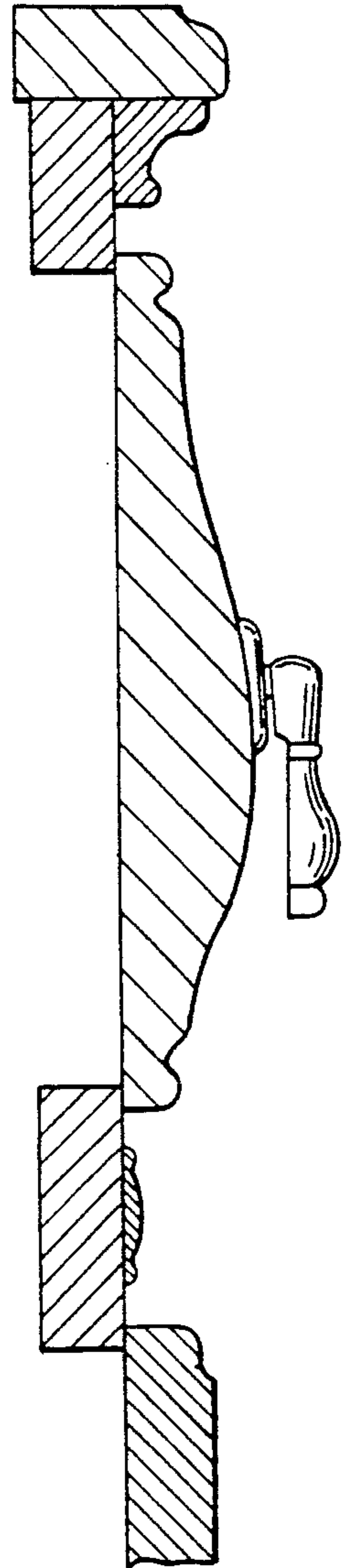


FIG. 5

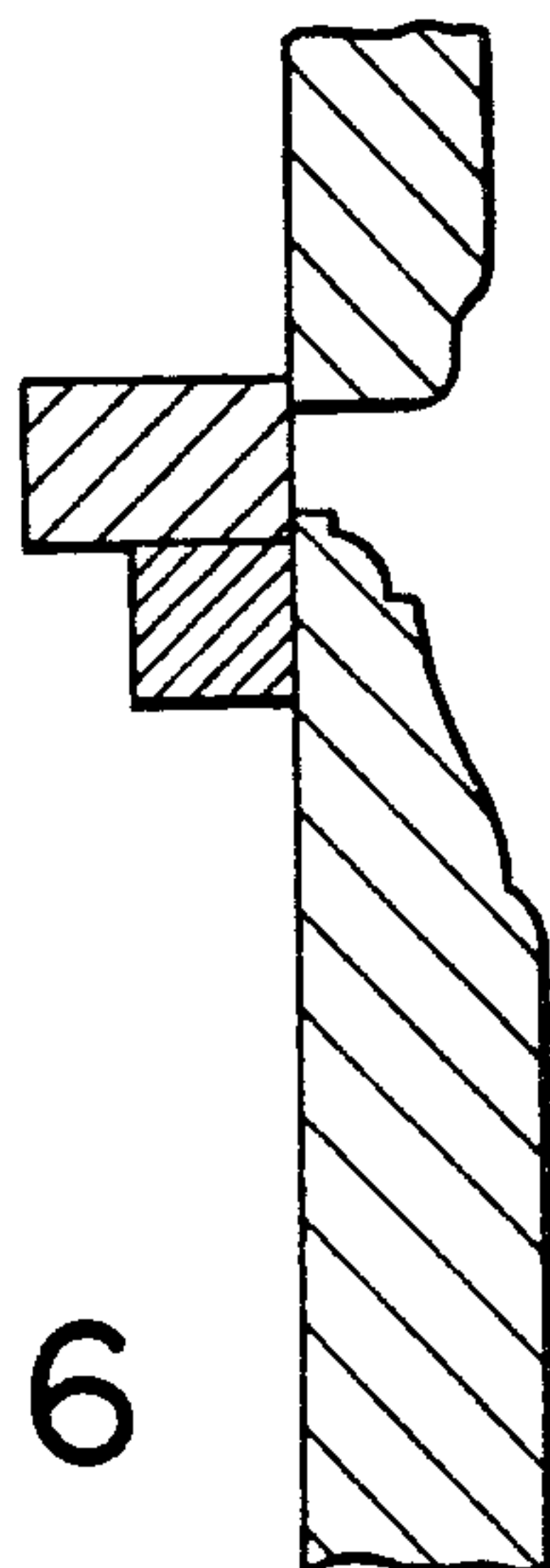


FIG. 6