



US00D327992S

United States Patent [19]

[11] Patent Number: **Des. 327,992**

De Carlo

[45] Date of Patent: **** Jul. 21, 1992**

[54] **CARPET SAMPLE STAND**

[75] Inventor: **Robert A. De Carlo**, Williamsburg, Va.

[73] Assignee: **BASF Corporation**, Parsippany, N.J.

[**] Term: **14 Years**

[21] Appl. No.: **475,480**

[22] Filed: **Feb. 5, 1990**

[52] U.S. Cl. **D6/409; D6/466; D34/21**

[58] Field of Search **D6/396, 397, 429-431, D6/410, 411, 409, 413, 414, 462, 449, 466, 473, 475; D34/17, 20, 21; 211/13, 45; 248/303**

[56] **References Cited**

U.S. PATENT DOCUMENTS

D. 47,174 3/1915 Waldeck D6/409
D. 107,883 1/1938 Noel D6/475

D. 177,362 4/1956 Best D6/449
D. 185,342 6/1959 Best D6/449 X
D. 185,528 6/1959 Best D6/409
2,643,774 6/1953 Patterson et al. 211/45
3,195,733 7/1965 Best 211/45

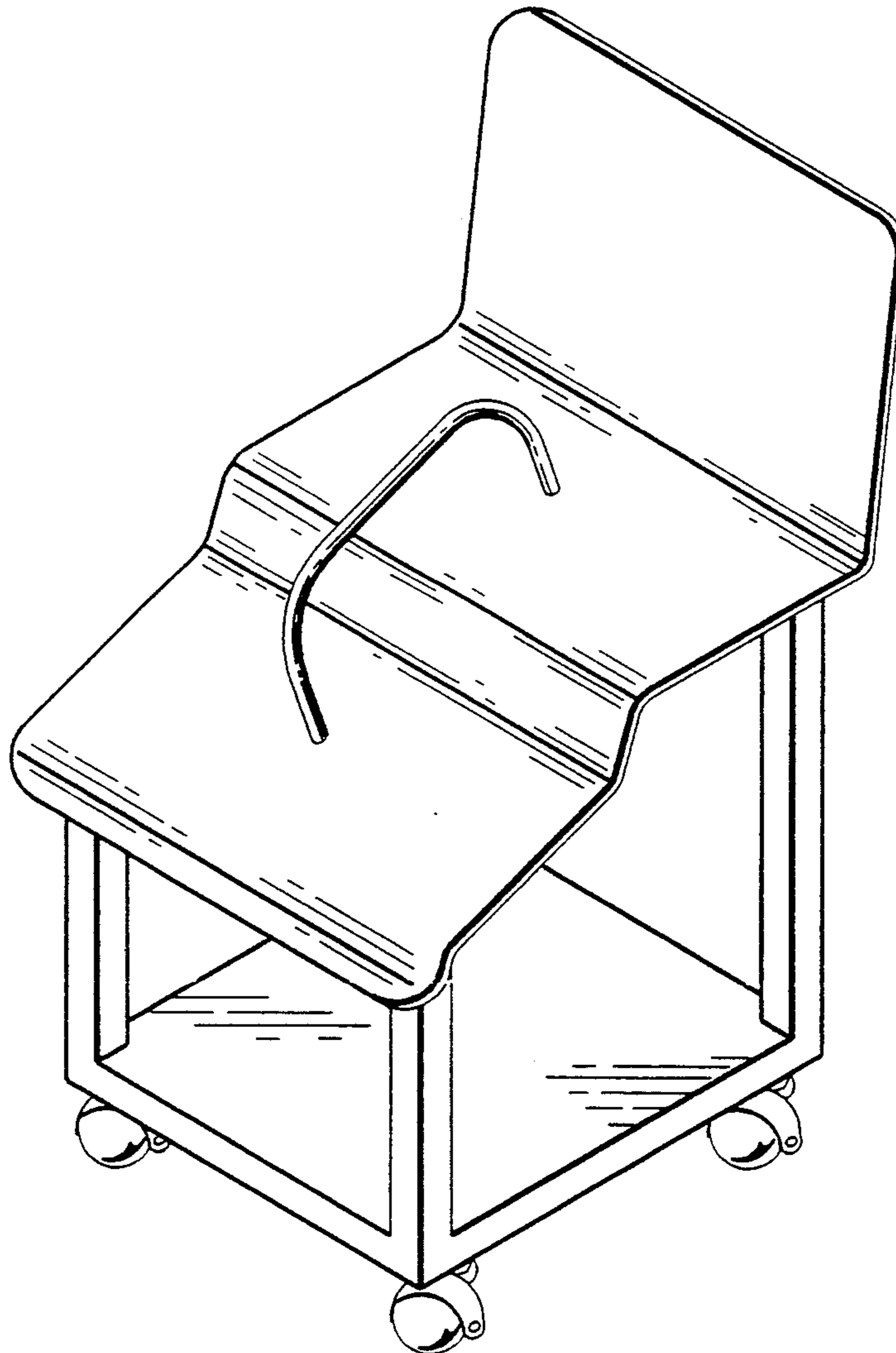
Primary Examiner—Donald P. Walsh
Assistant Examiner—Jeffrey Asch

[57] CLAIM

The ornamental design for a carpet sample stand, as shown and described.

DESCRIPTION

FIG. 1 is a right side elevational view of a carpet sample stand showing my new design, the left side being a mirror image thereof;
FIG. 2 is a front elevational view;
FIG. 3 is a perspective view; and,
FIG. 4 is a right side elevational view of a second embodiment of that shown in FIG. 1.



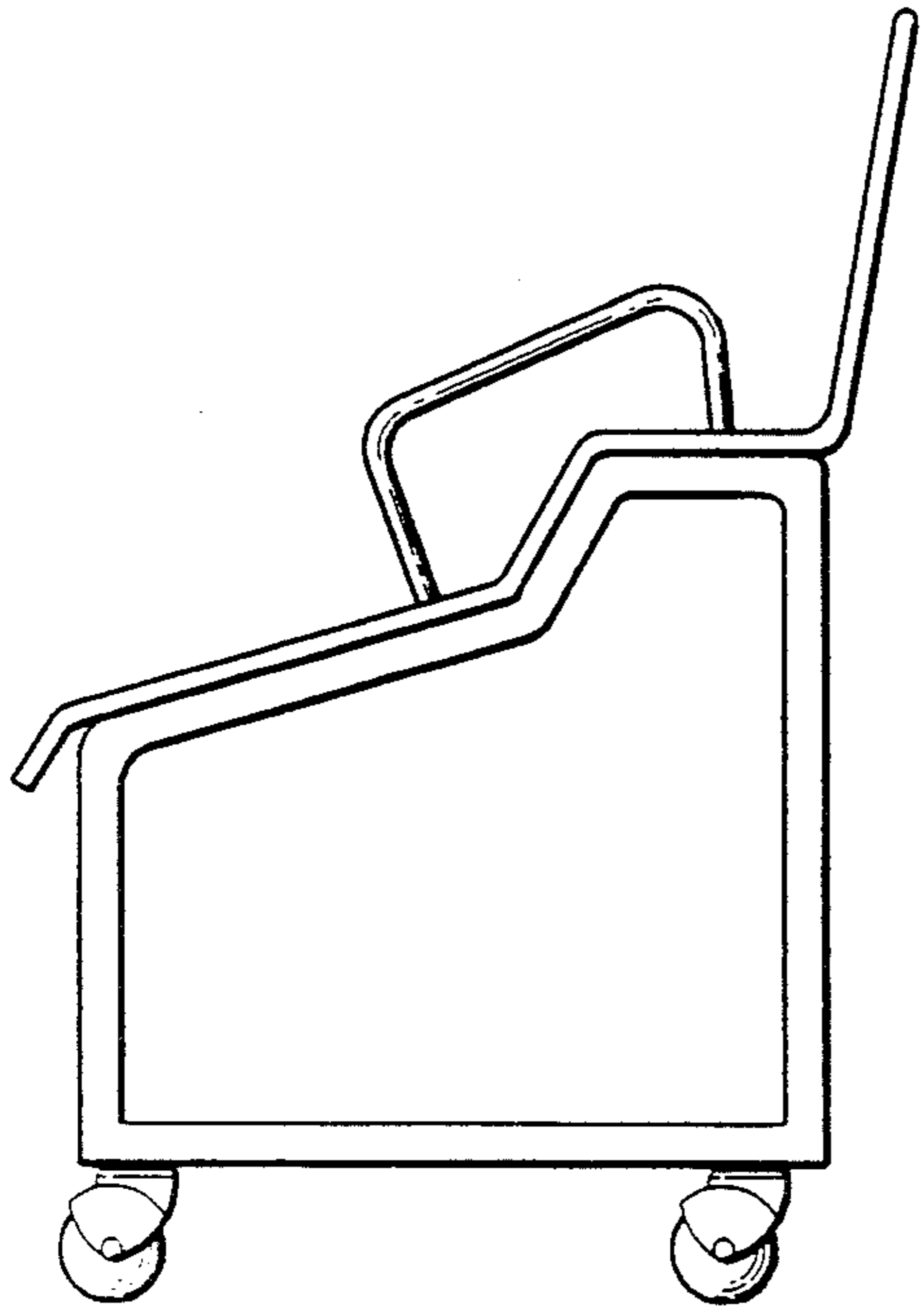


FIGURE 1

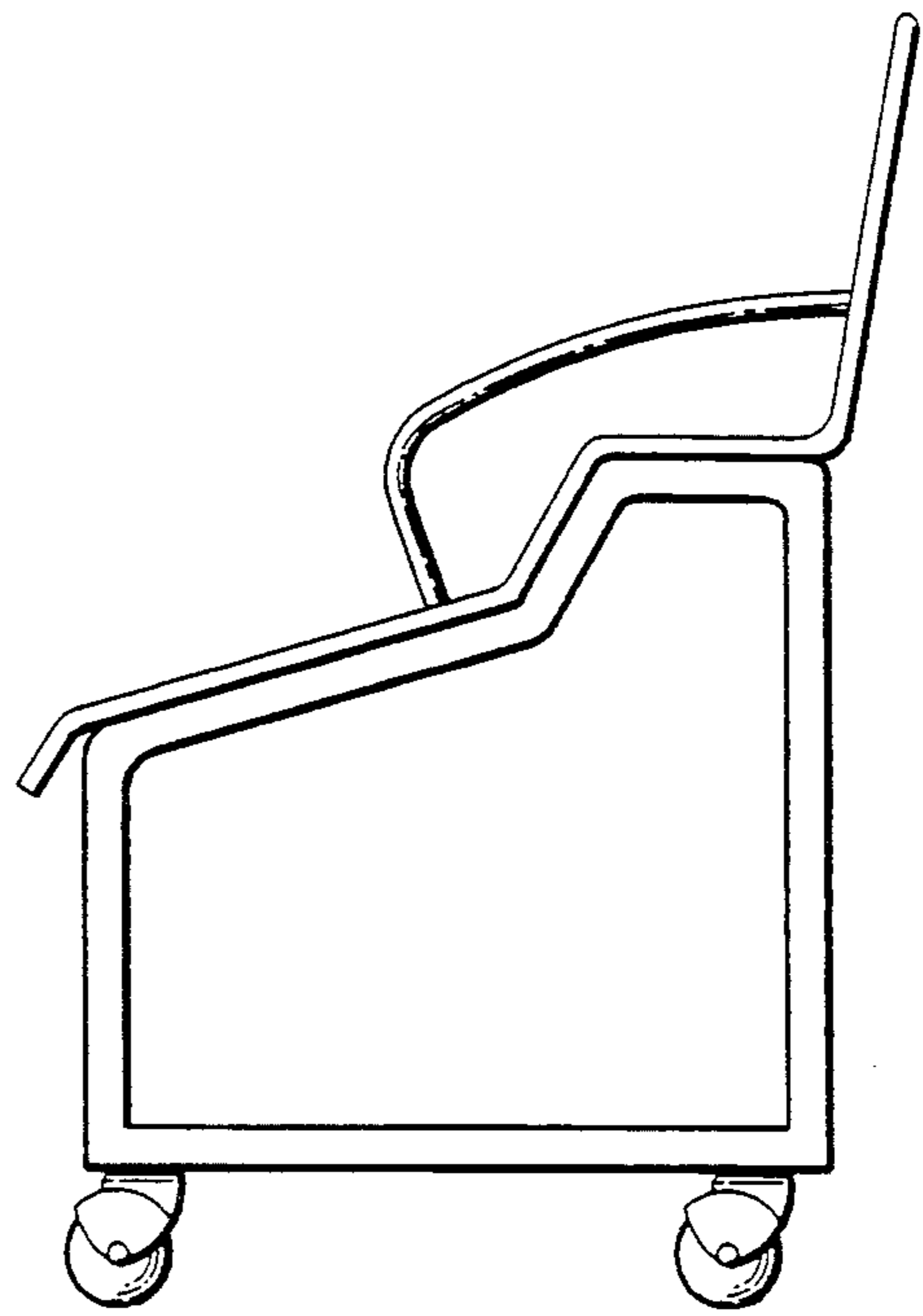


FIGURE 4

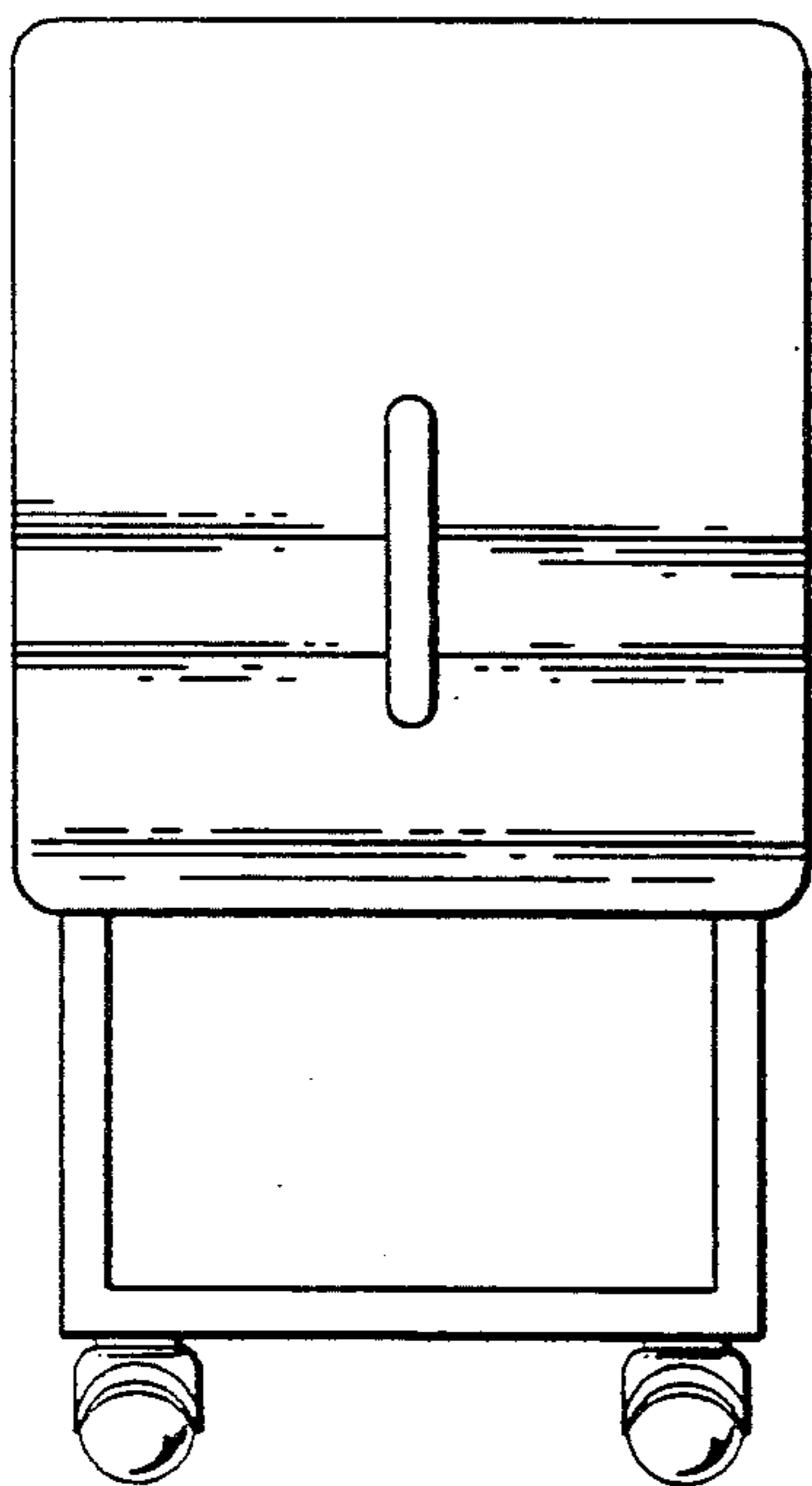


FIGURE 2

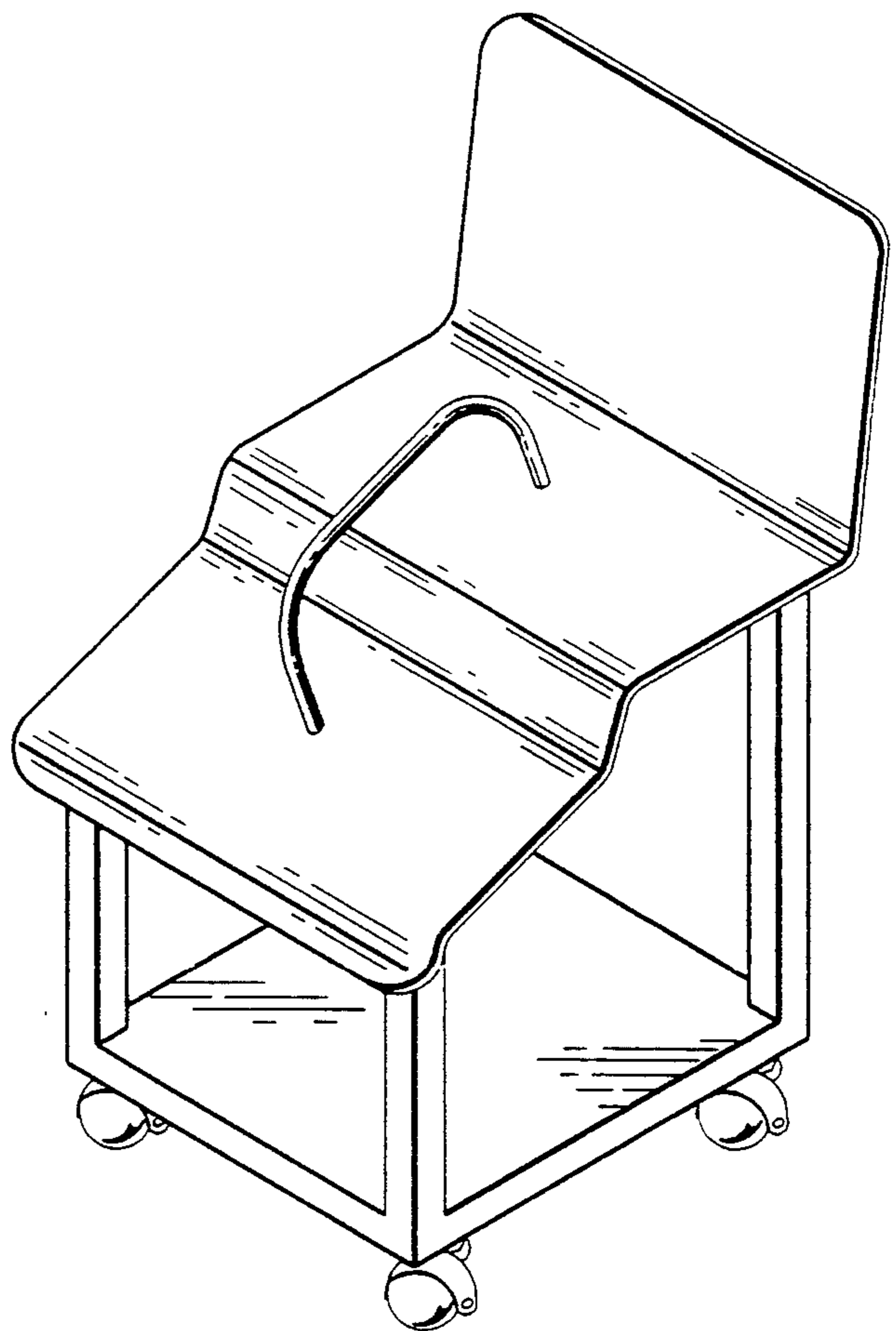


FIGURE 3