



US00D327990S

United States Patent [19]
Glendinning

[11] **Patent Number: Des. 327,990**
[45] **Date of Patent: ** Jul. 21, 1992**

[54] **CHAIR FRAME OR SIMILAR ARTICLE**

OTHER PUBLICATIONS

[76] **Inventor: Scott Glendinning, 5515 Doyle St., #2, Emeryville, Calif. 94608**

Identiket Chair Book, Abitare, p. 106, May 1985 Was-sily/Knoll Chair.

[**] **Term: 14 Years**

Abitare Supplement, May 1985, p. 100, Herbst Chair Supplemento Allegato Ad, Abtare 1985, p. 22, Otto Chair

[21] **Appl. No.: 776,479**

The International Design Yearbook #3, 1987, p. 78 #67 Mario Botta w/Quinta Chair.

[22] **Filed: Oct. 15, 1991**

Photo copies of "Upside down Chair" designed by Scott Glendinning, Jun. 1986.

Abitare vol. 261, Jan.-Feb. 1988 p. 147 #28. Chair "Apple Honey".

Interiors-May 1988, p. 242, chair at left.

Related U.S. Application Data

Primary Examiner—Donald P. Walsh

Assistant Examiner—Janice E. Seeger

Attorney, Agent, or Firm—Bielen, Peterson & Lampe

[62] Division of Ser. No. 232,374, Aug. 15, 1988, Pat. No. D. 322,365.

[52] **U.S. Cl. D6/379; D6/500**

[57] **CLAIM**

[58] **Field of Search D6/491-497, D6/499-503, 511, 596-597, 601, 333, 379, 380**

The ornamental design for chair frame or similar article, as shown and described.

References Cited

DESCRIPTION

U.S. PATENT DOCUMENTS

[56]

D. 133,715	9/1942	Neef, Jr.	D6/499 X
D. 286,826	11/1986	Colby	D6/500 X
D. 287,437	12/1986	Frinier et al.	D6/501 X
D. 291,157	8/1987	Martin	D6/501 X
D. 295,924	5/1988	Raney	D6/500 X
D. 308,608	6/1990	Arnold	D6/499 X

FIG. 1 is a perspective view of a chair frame or similar article; showing my new design;

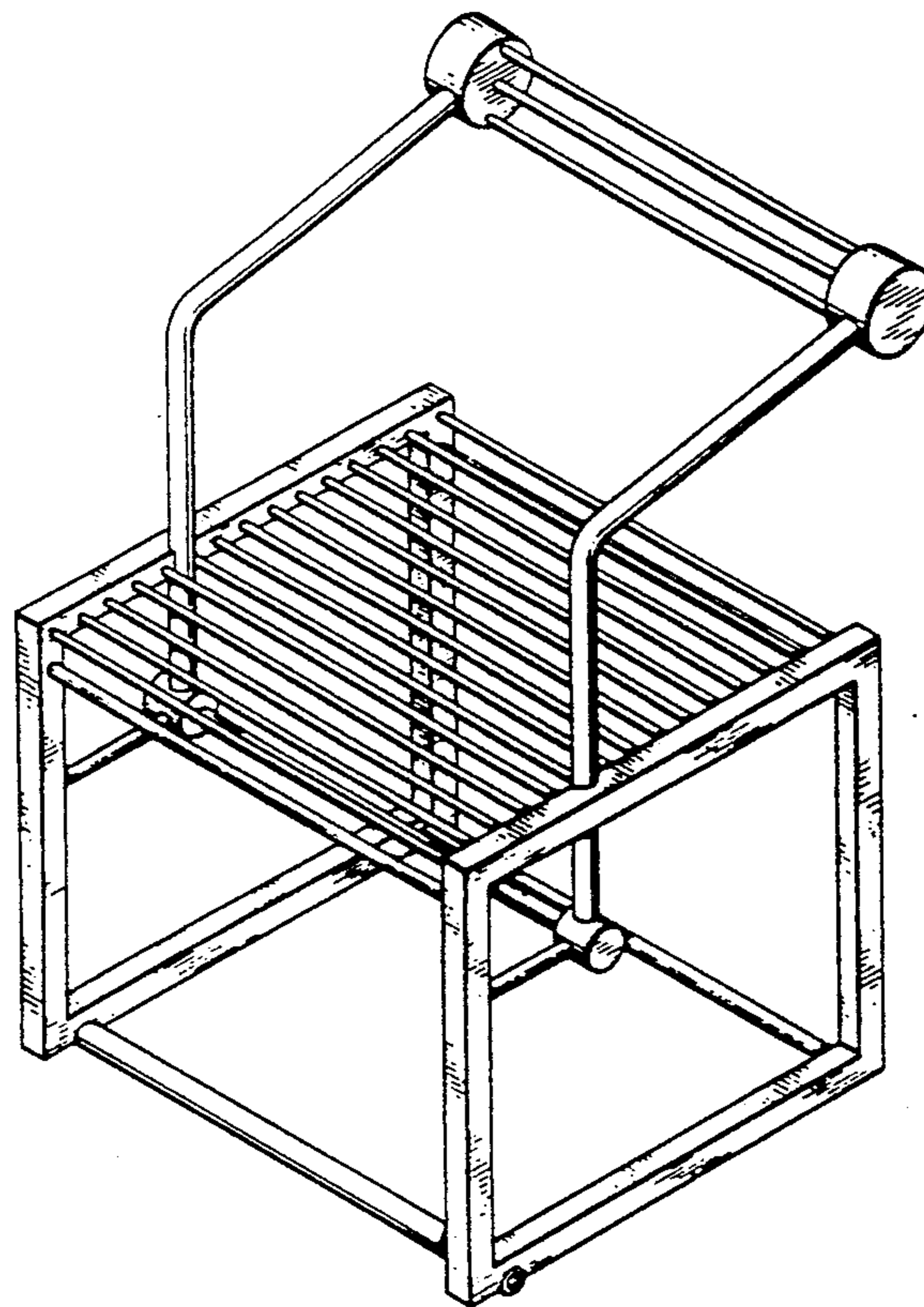
FIG. 2 is a side elevational view, the opposite side being a mirror image thereof;

FIG. 3 is top plan view;

FIG. 4 is a front elevational view;

FIG. 5 is a bottom plan view; and,

FIG. 6 is a rear elevational view thereof.



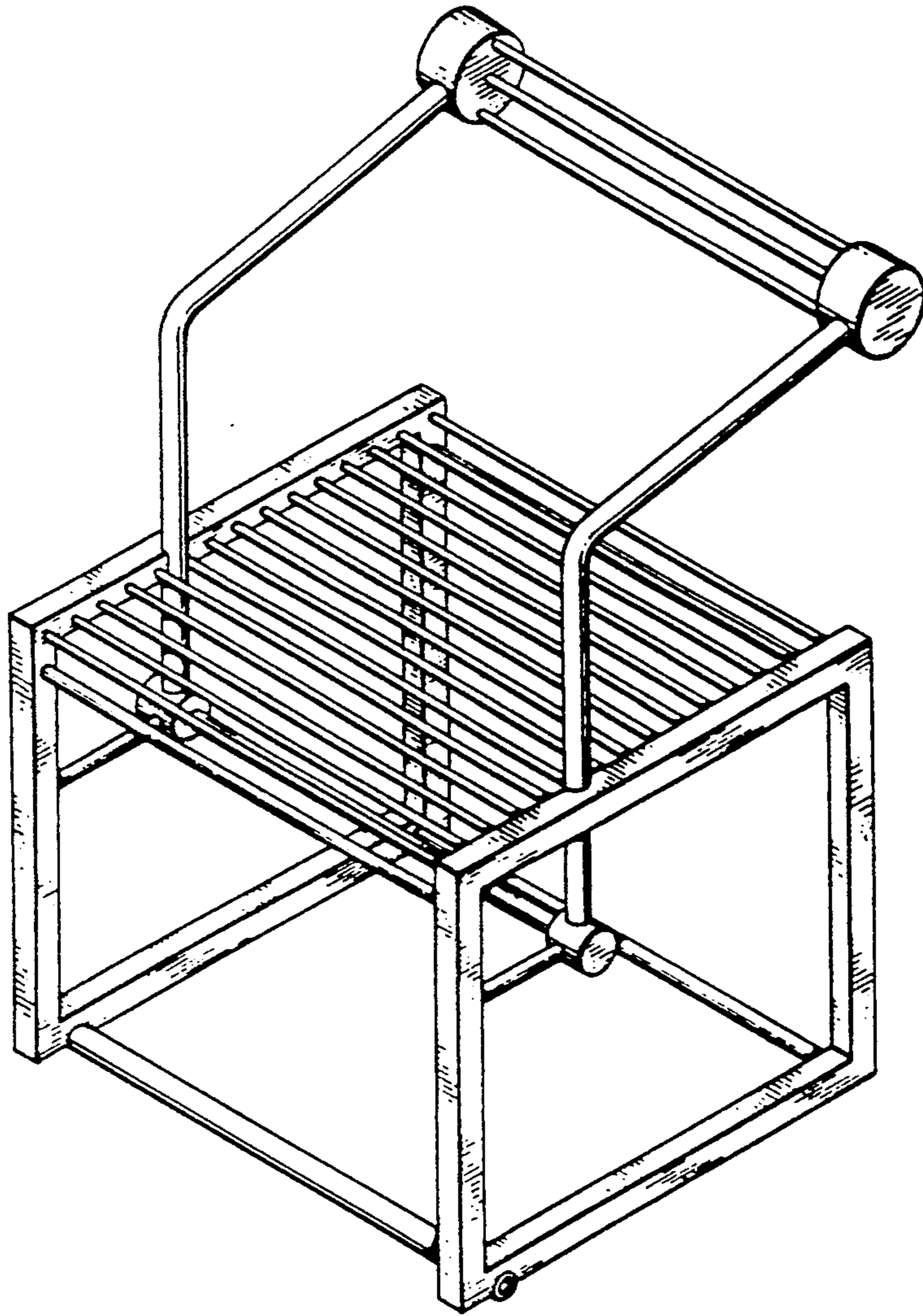


FIG-1

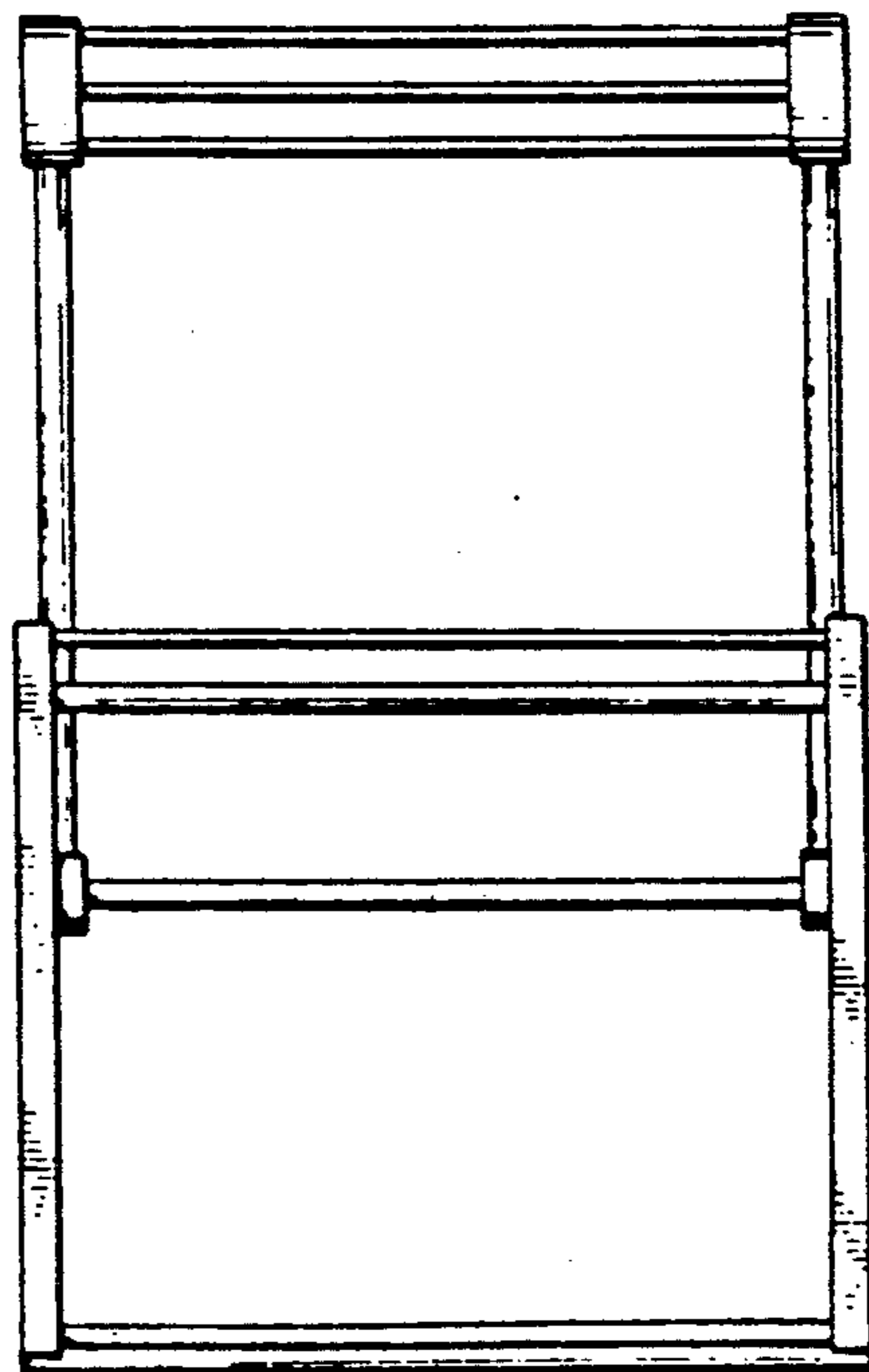


FIG-6

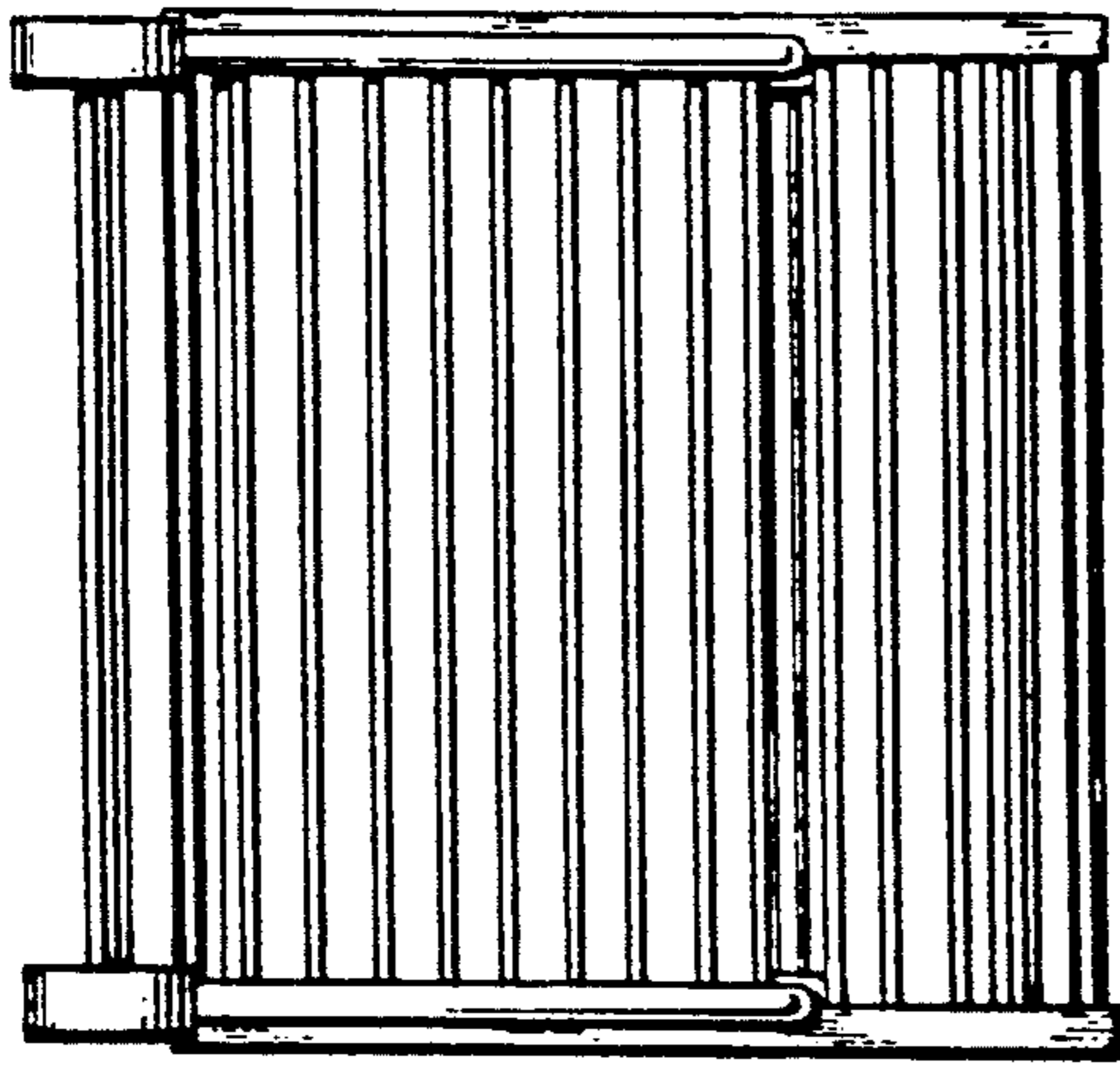


FIG-3

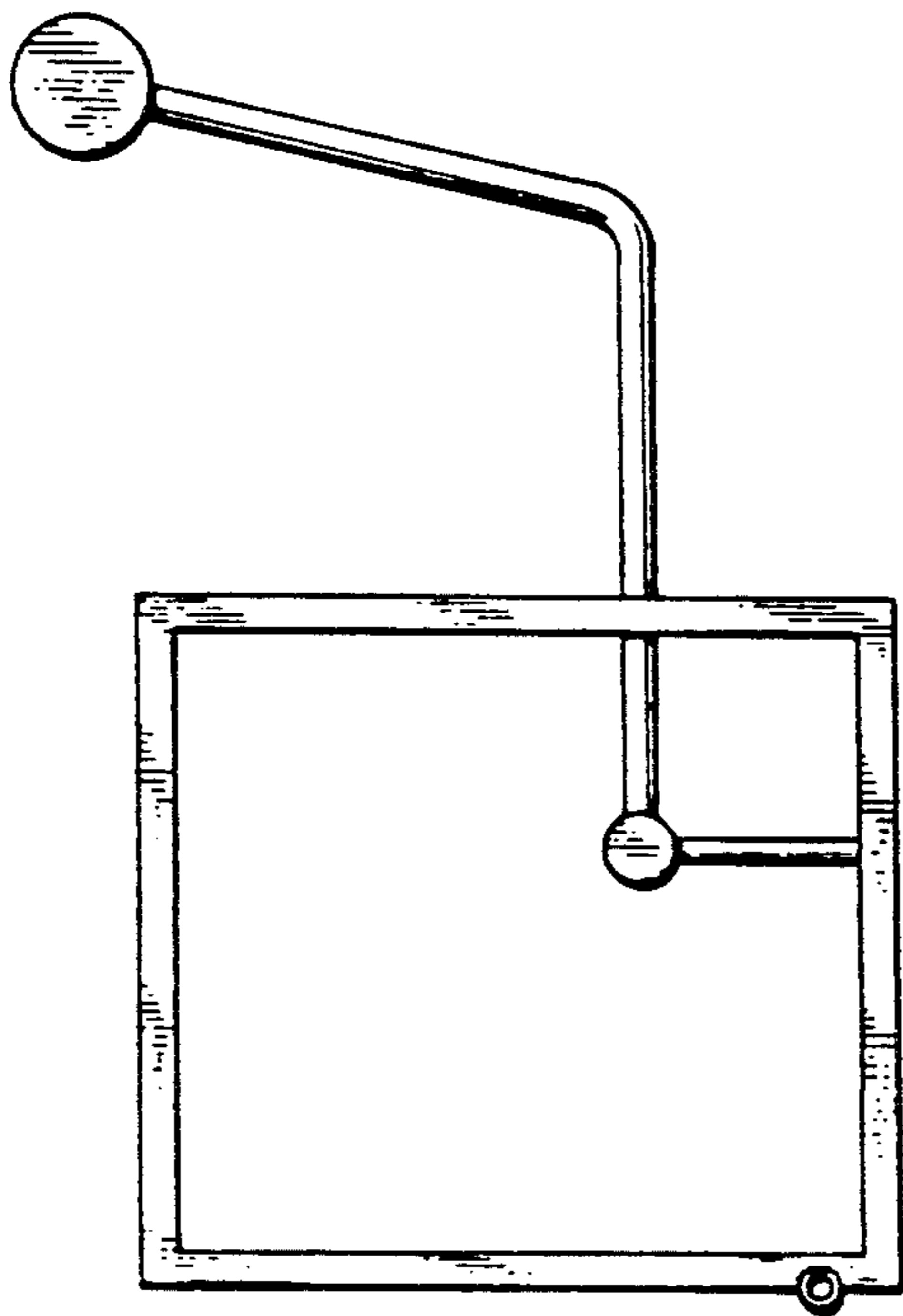


FIG. 2

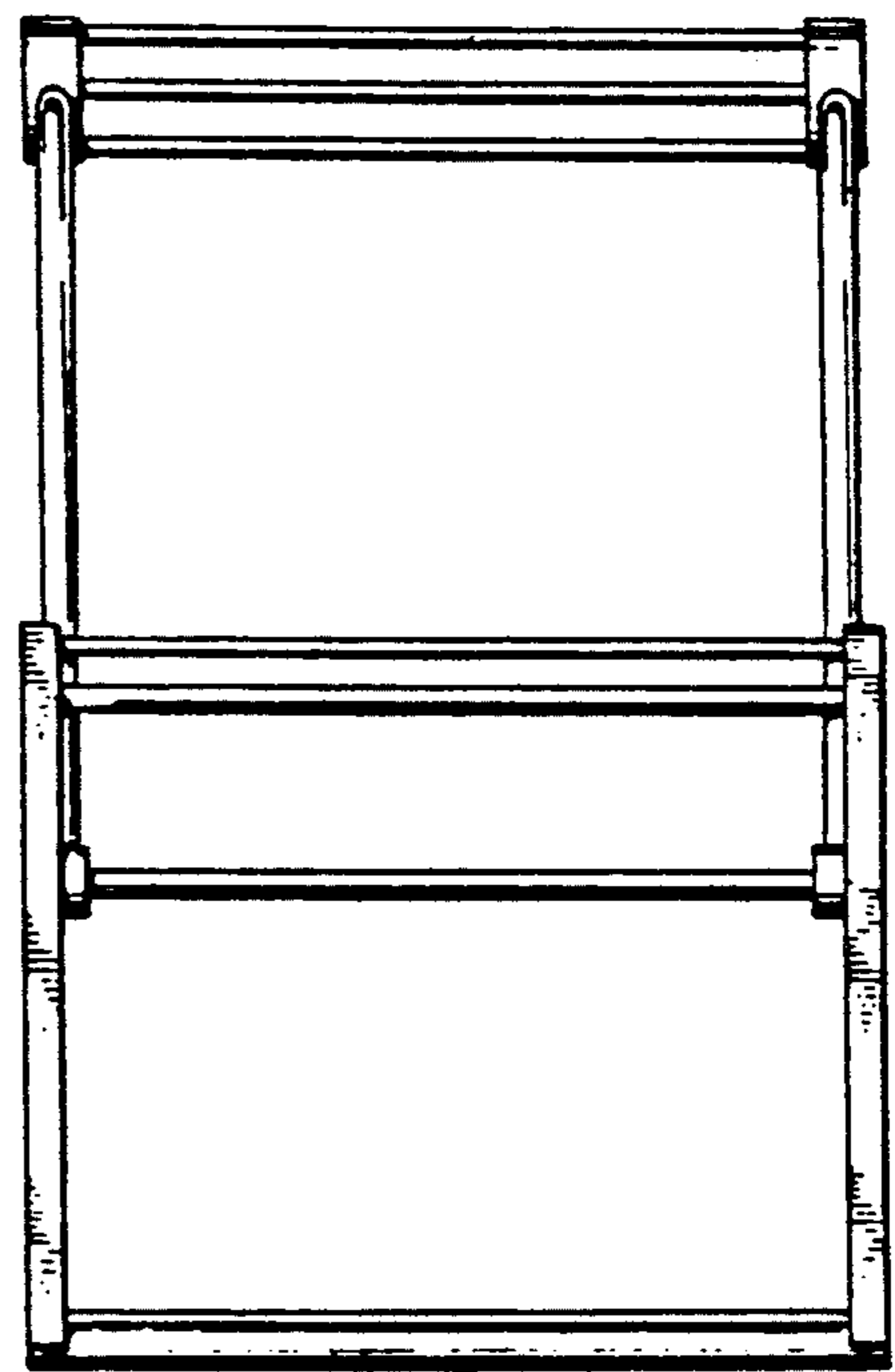


FIG. 4

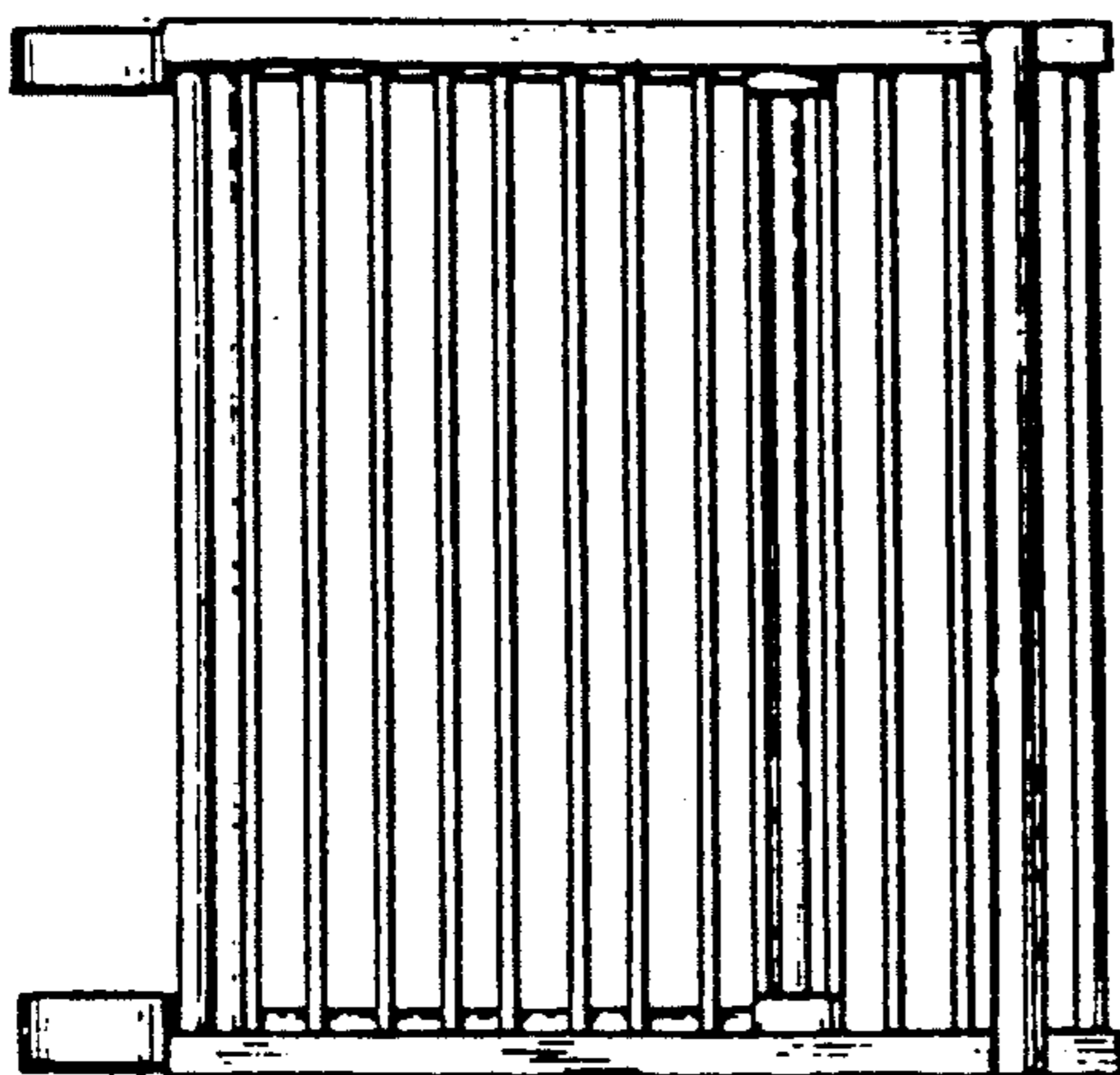


FIG-5