



US00D327987S

# United States Patent [19]

[11] Patent Number: **Des. 327,987**

Delmerico et al.

[45] Date of Patent: **\*\* Jul. 21, 1992**

[54] **SEATING MODULE**

[75] Inventors: **Paul E. Delmerico**, Winchester; **Eric Gingras**, Cross Junction; **Greg P. Terek**, Winchester, all of Va.

[73] Assignee: **Rubbermaid Commercial Products Inc.**, Winchester, Va.

[\*\*] Term: **14 Years**

[21] Appl. No.: **392,489**

[22] Filed: **Aug. 11, 1989**

[52] U.S. Cl. .... **D6/349; D6/334; D6/374; D6/484; D6/500; D6/502**

[58] Field of Search ..... **D6/329, 484, 332, 495, D6/333, 497, 335, 498, 336, 499, 338, 500, 346, 501, 347, 502, 349, 503, 354, 356, 358, 364, 365, 366, 370, 374, 375, 418, 477; D34/39**

[56] **References Cited**

**U.S. PATENT DOCUMENTS**

- D. 237,729 11/1975 Coppa ..... D6/484 X
- D. 240,582 7/1976 Friedman ..... D6/484
- D. 248,798 8/1978 Driscoll ..... D6/484
- D. 281,125 10/1985 Brown ..... D6/484 X
- D. 295,475 5/1988 Keller ..... D6/484
- D. 317,537 6/1991 Pino ..... D6/349 X

**OTHER PUBLICATIONS**

*Evan's Cat.*, 1988-1989, p. 245y, "#7 Table", center of page.

*Interiors*, Nov. 1983, p. 105, "The 45 Table", right of page.

Catalog Page, Architectural Precast Inc., 2021 Langwood Avenue, PO Box 23110, Columbus, Ohio 43223-9985. Publication date 1987.

Catalog Page, Modu Form, Inc., A G&W Industry, 172 Industrial Road, PO Box 400, Fitchberg, Mass. 01420-0400. Publication date Jul. 16, 1988.

Pages 15, 17, and 18, Landscape Forms, 431 Lawndale Avenue, Kalamazoo, Mich. 49001-9543. Publication date 1987.

Page 9, Clean City Squares, Inc., PO Box 6797, St. Louis, Mo. 63144. Publication date unknown.

*Primary Examiner*—Donald P. Walsh

*Assistant Examiner*—Monica A. Hannon

*Attorney, Agent, or Firm*—Richard B. O'Planick

[57] **CLAIM**

The ornamental design for a seating module, as shown and described.

**DESCRIPTION**

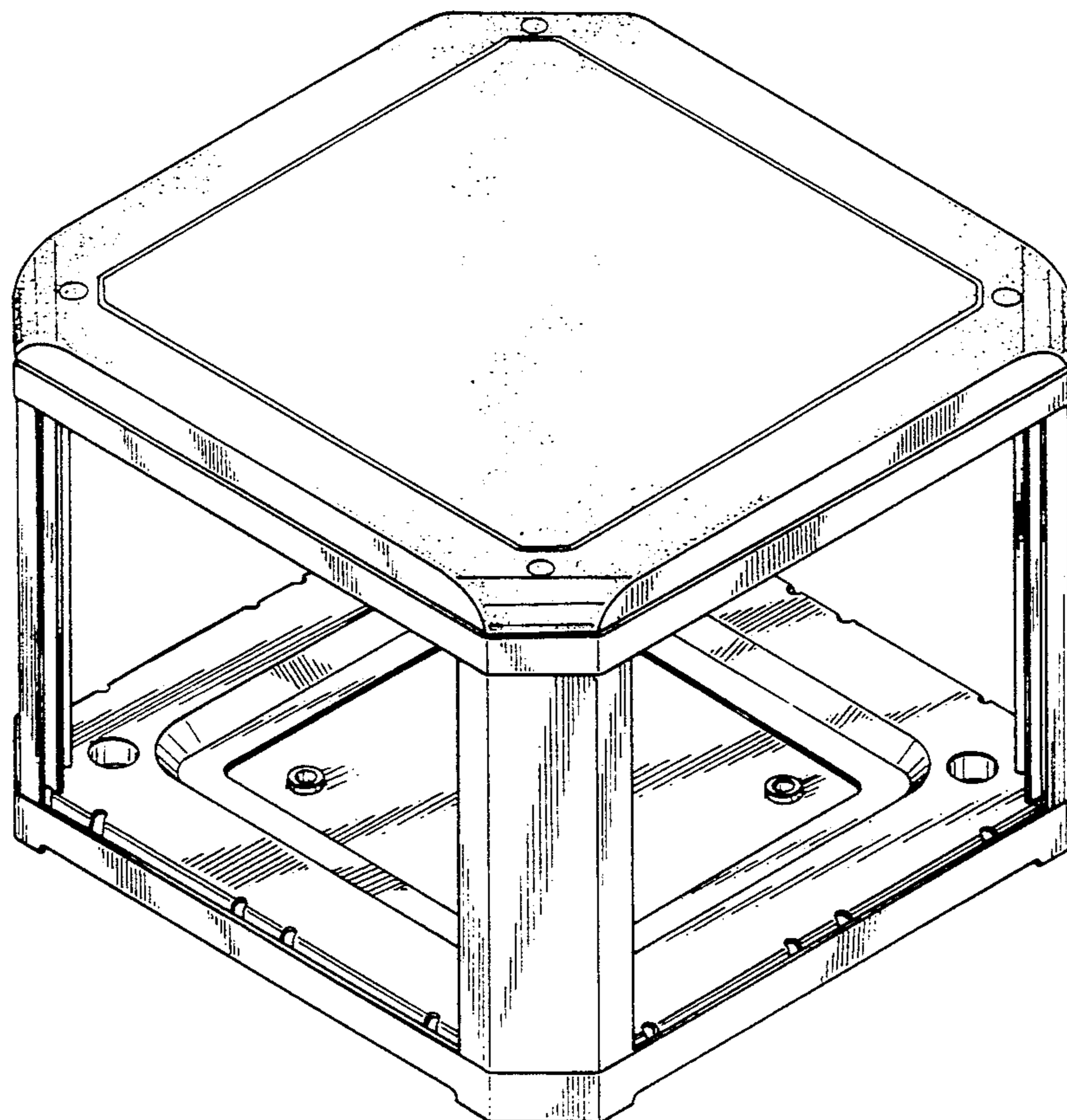
FIG. 1 is a front perspective view of a seating module showing our new design;

FIG. 2 is a top plan view thereof;

FIG. 3 is a bottom plan view thereof; and,

FIG. 4 is a front elevational view, the rear and sides being identical thereof.

FIGS. 2, 3, and 4 have been drawn on an enlarged scale with respect to FIG. 1.



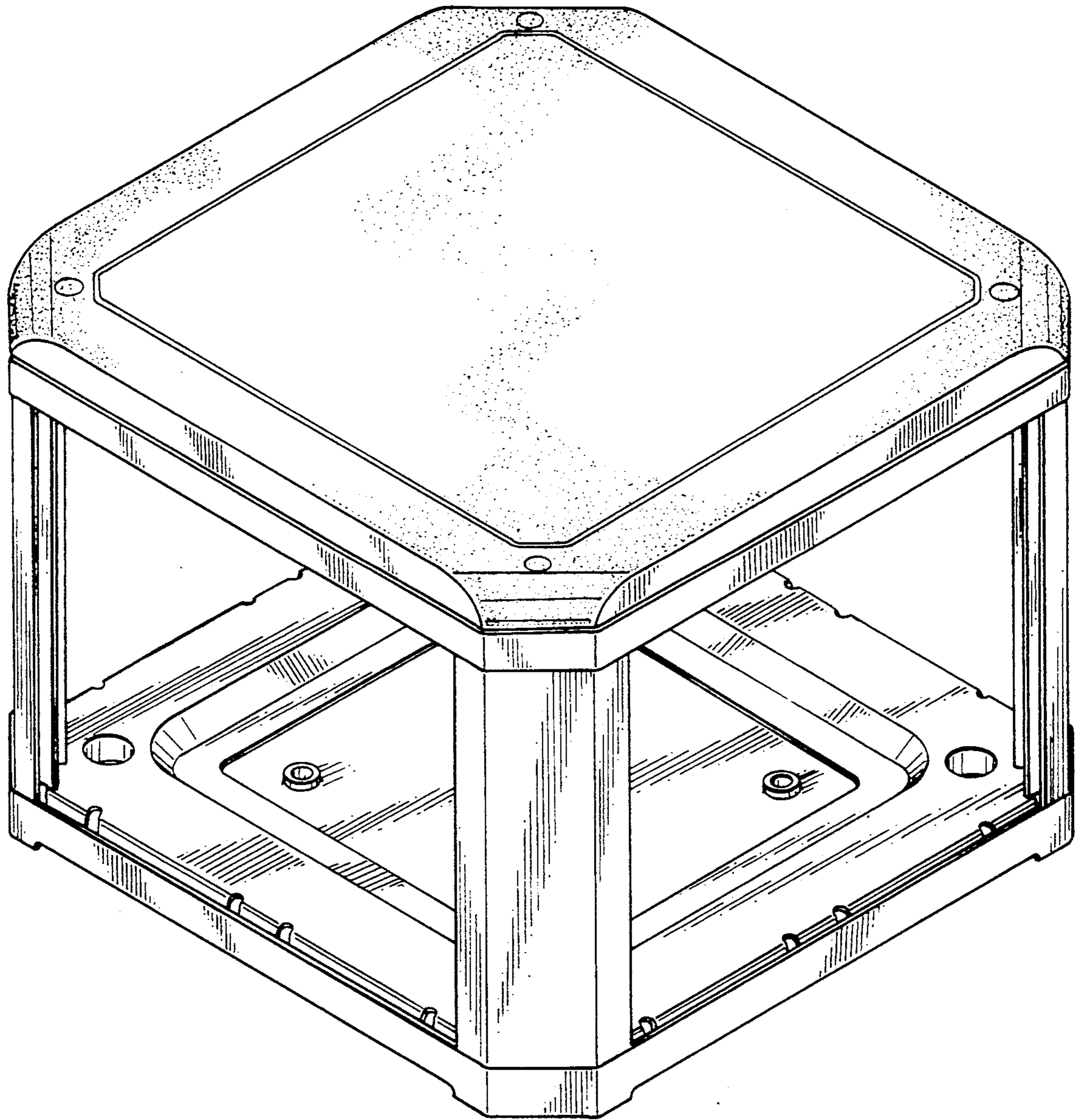


FIG. 1

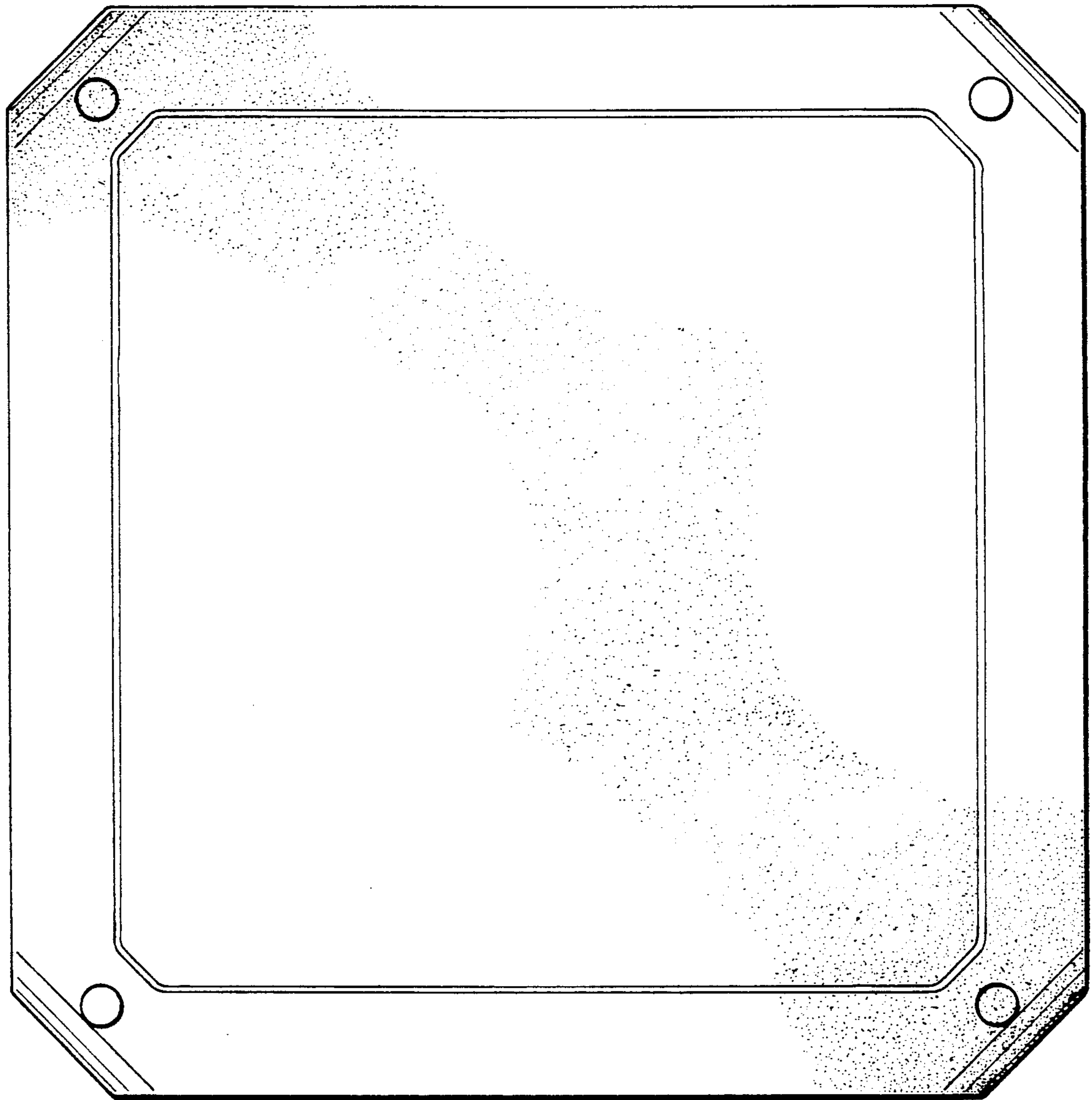


FIG. 2

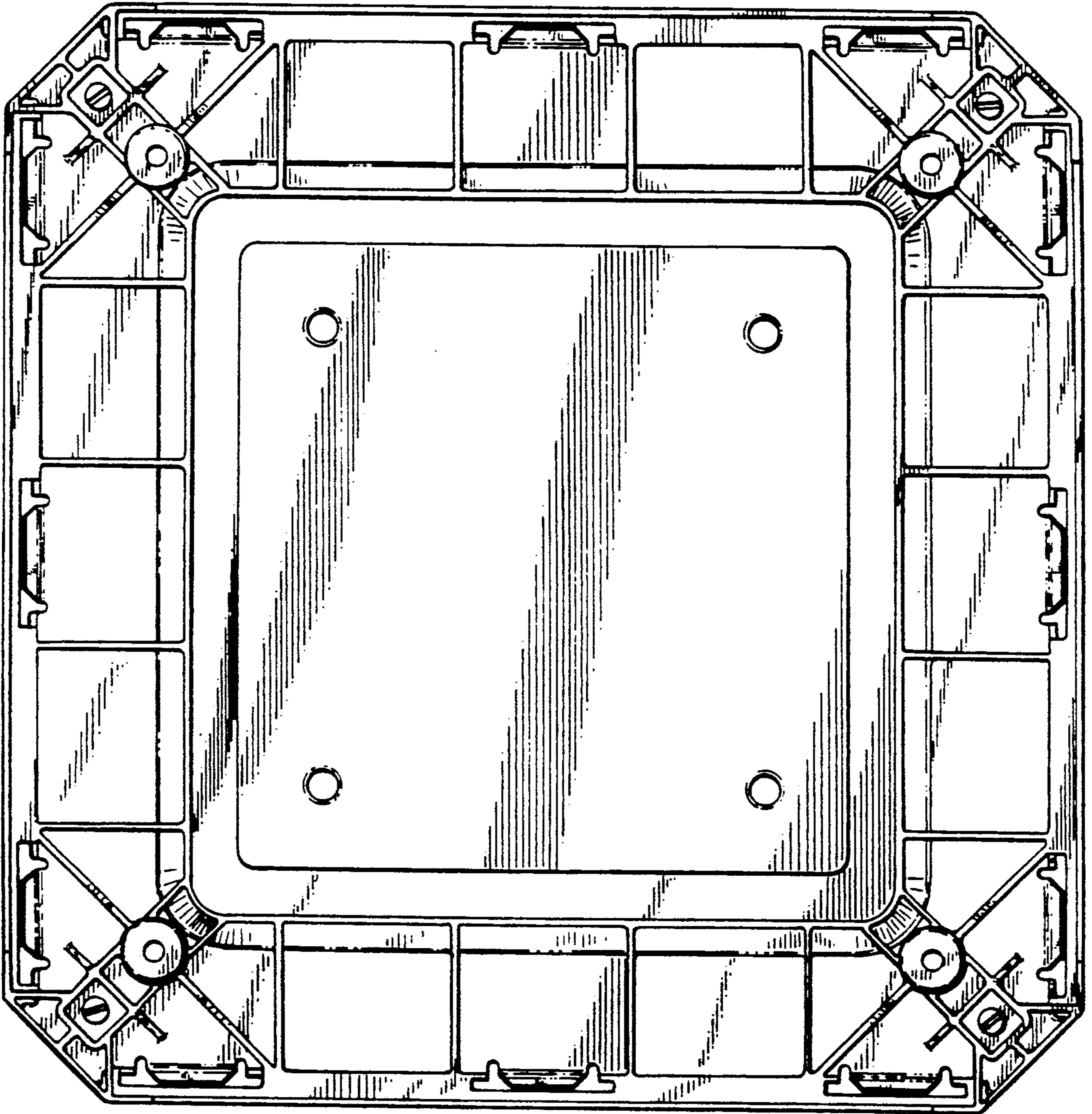


FIG. 3

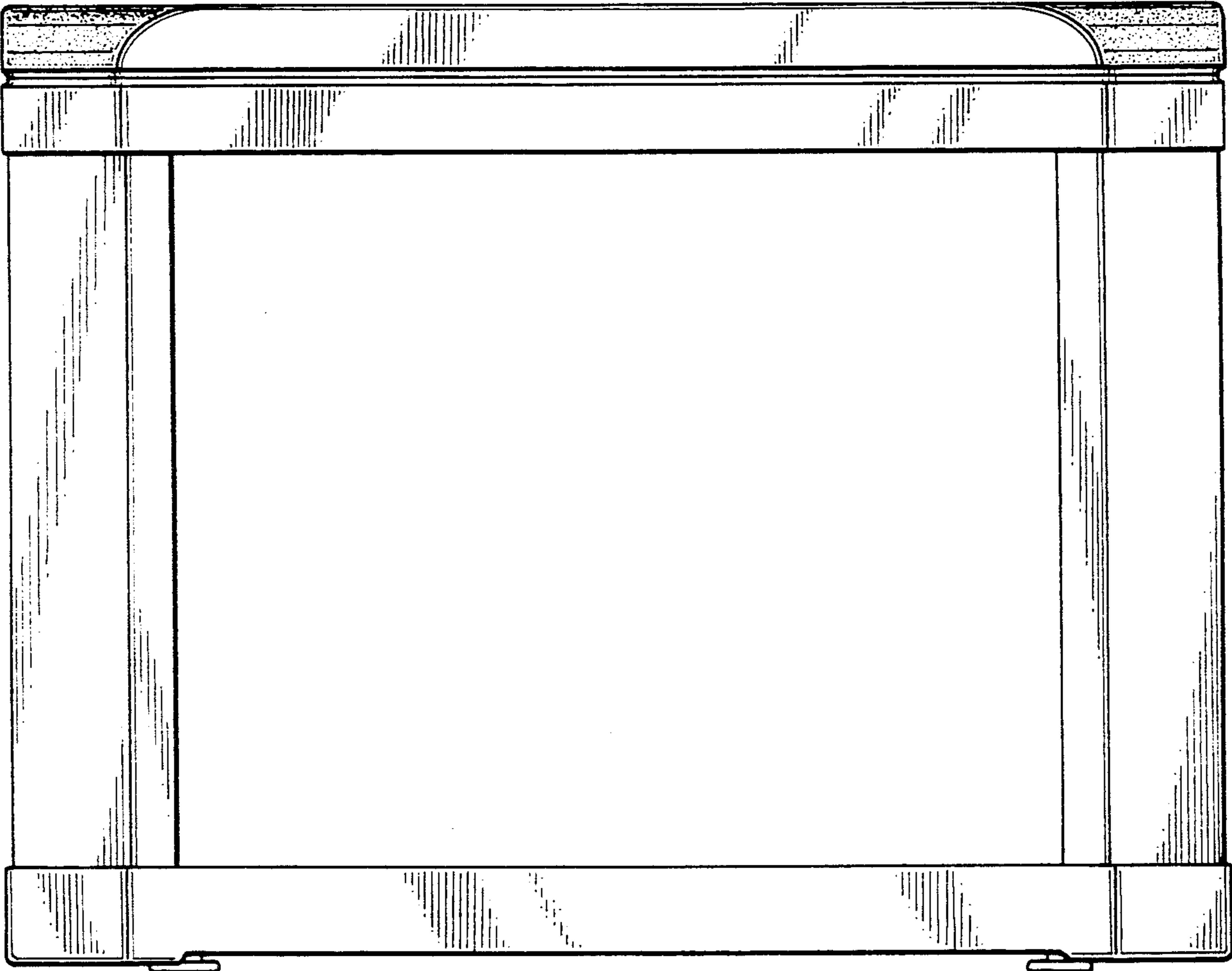


FIG. 4