



US00D327985S

# United States Patent [19] Harris

[11] Patent Number: Des. 327,985

[45] Date of Patent: \*\* Jul. 21, 1992

[54] SOFA BED

[76] Inventor: Anne Harris, 40 W. 72nd St., New York, N.Y. 10023

[\*\*] Term: 14 Years

[21] Appl. No.: 311,189

[22] Filed: Feb. 15, 1989

[52] U.S. Cl. .... D6/335; D6/381

[58] Field of Search ..... D6/334, 335, 336, 378, D6/381, 500

D. 267,447	1/1983	Friedman .	
D. 268,236	3/1983	Stern .....	D6/381
D. 303,328	9/1989	Syme et al. ....	D6/381 X
3,423,772	1/1969	Mainguy .....	D6/336 X
3,756,657	9/1973	Johnson .....	D6/381 X

Primary Examiner—Donald P. Walsh  
Assistant Examiner—Gary D. Watson  
Attorney, Agent, or Firm—Jones, Day, Reavis & Pogue

### [57] CLAIM

The ornamental design for a sofa bed, as shown and described.

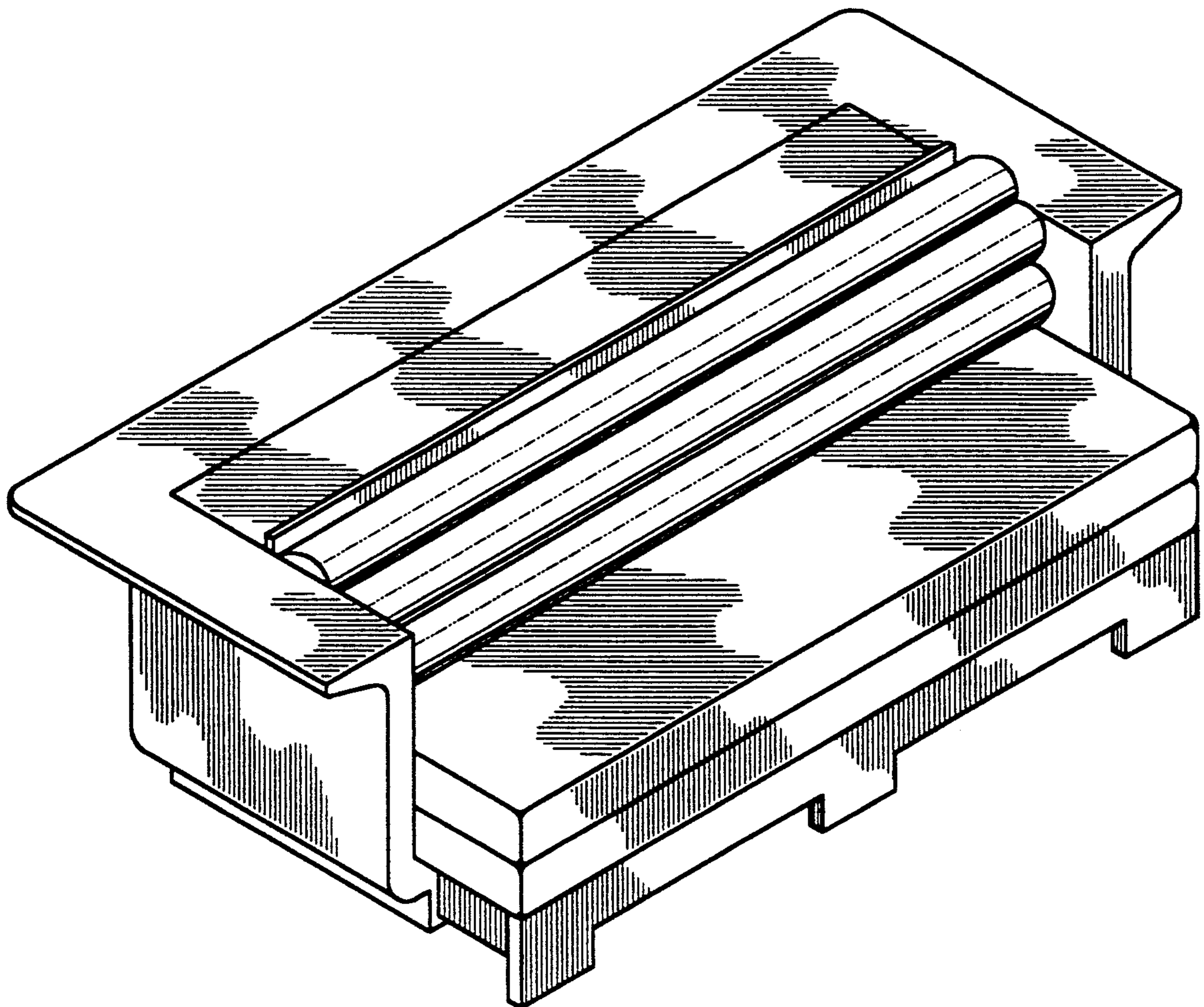
### [56] References Cited

#### U.S. PATENT DOCUMENTS

D. 22,922	11/1893	Conser .....	D6/361
D. 94,830	3/1935	Granovsky .....	D6/335
D. 204,755	5/1966	Wilson .	
D. 248,602	7/1978	Long .	
D. 260,582	9/1981	Luthy .	
D. 264,902	6/1982	Friedman .	
D. 265,869	8/1982	Luthy .	
D. 266,973	11/1982	Wilder .	
D. 267,134	12/1982	Nelson .	

### DESCRIPTION

FIG. 1 is a front perspective view of a sofa bed showing my new design;  
FIG. 2 is a right side elevational view, the left side being a mirror image thereof;  
FIG. 3 is a top plan view;  
FIG. 4 is a front elevational view;  
FIG. 5 is a rear elevational view;  
FIG. 6 is a bottom plan view thereof; and,  
FIG. 7 is a front perspective view of a sofa bed showing my new design in opened condition.



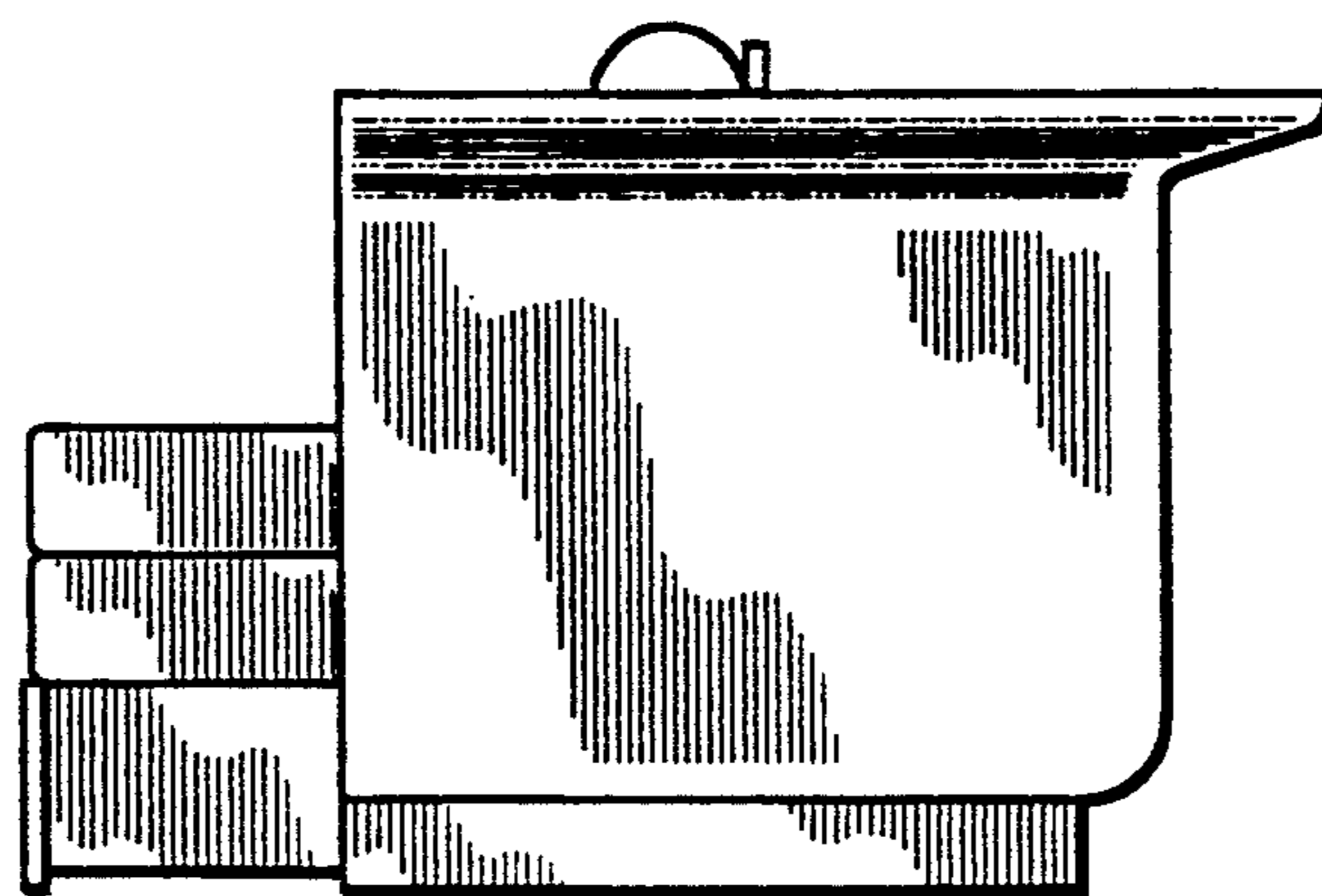
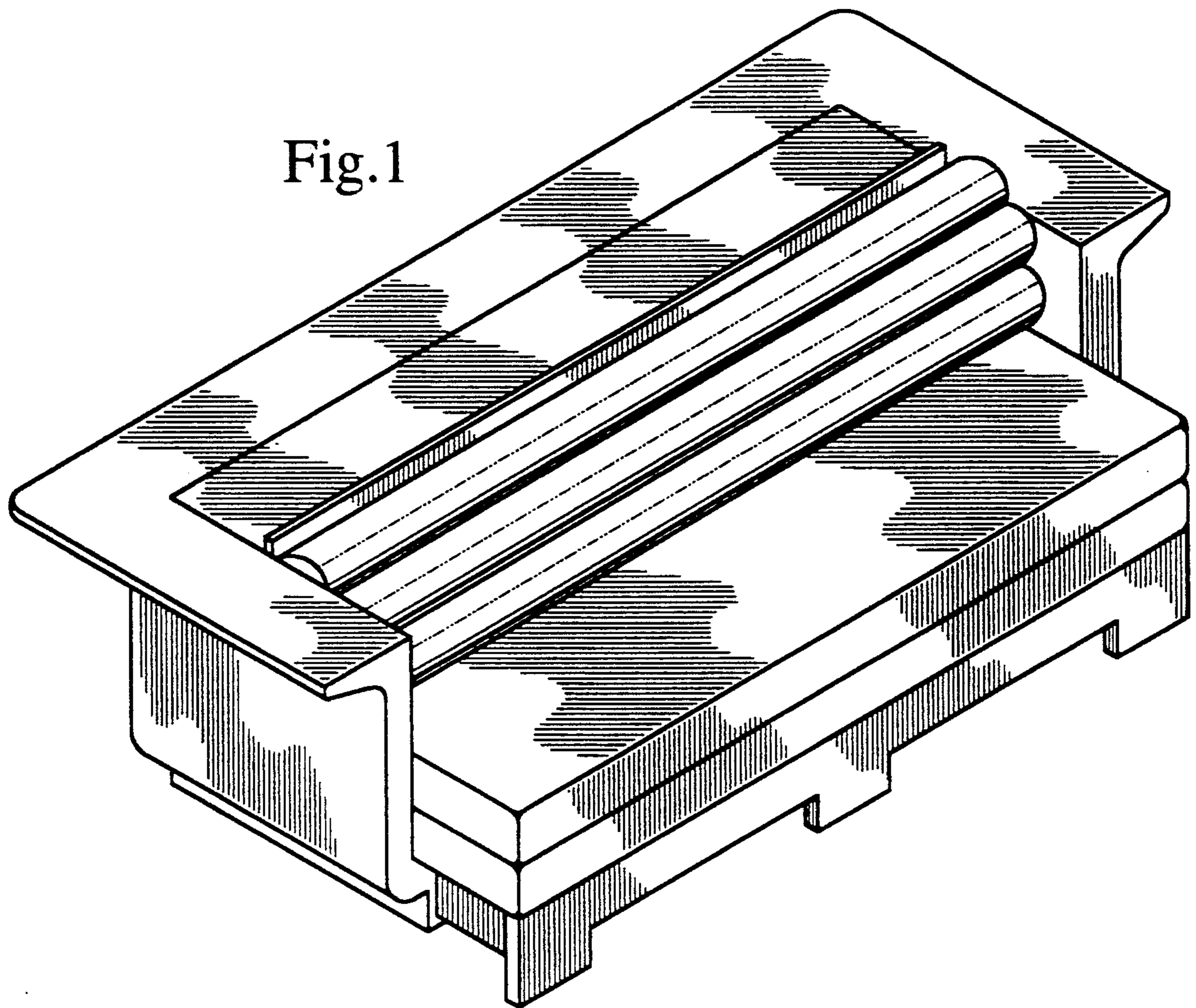


Fig.2



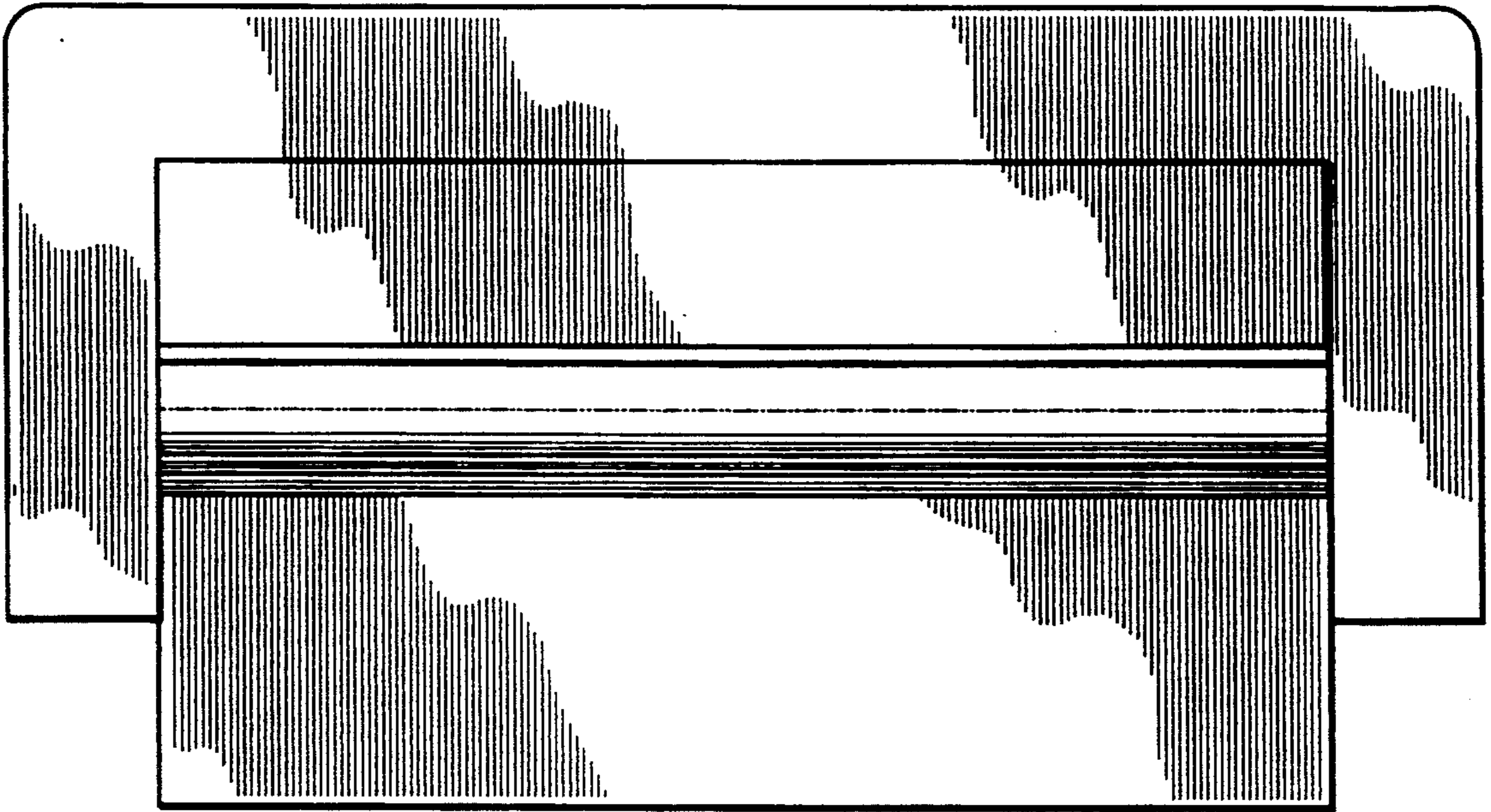


Fig.3

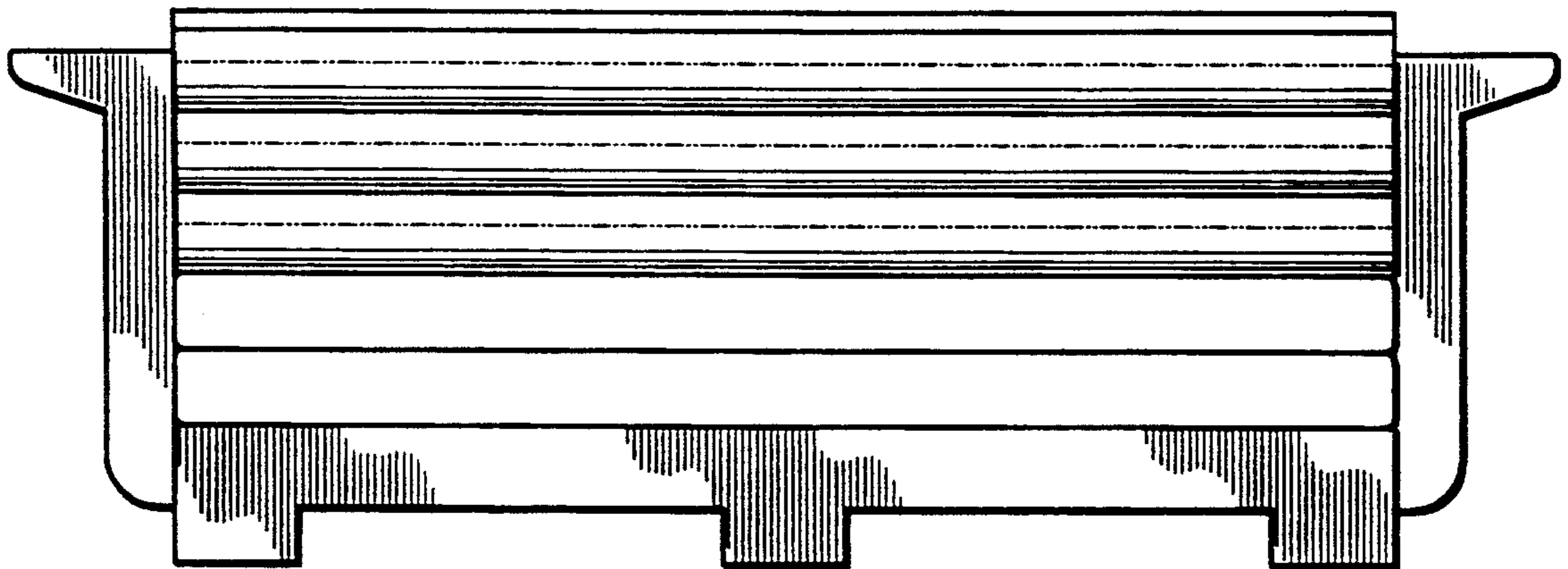


Fig.4

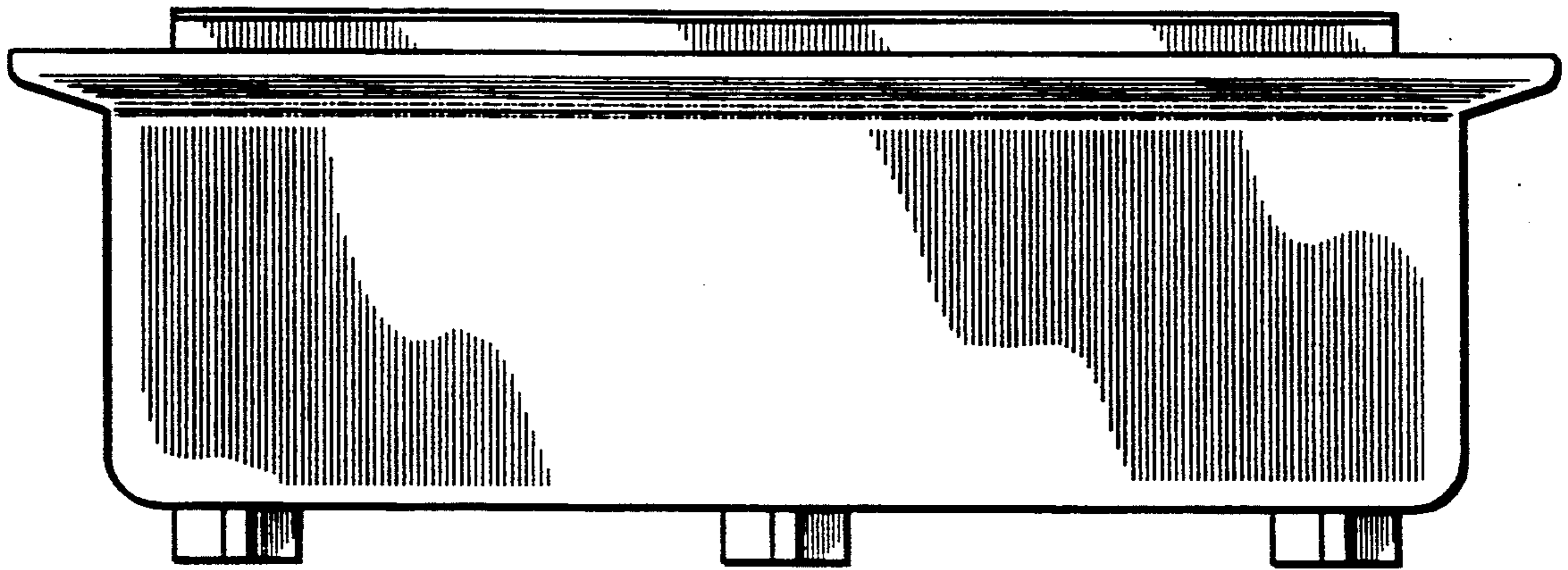


Fig.5

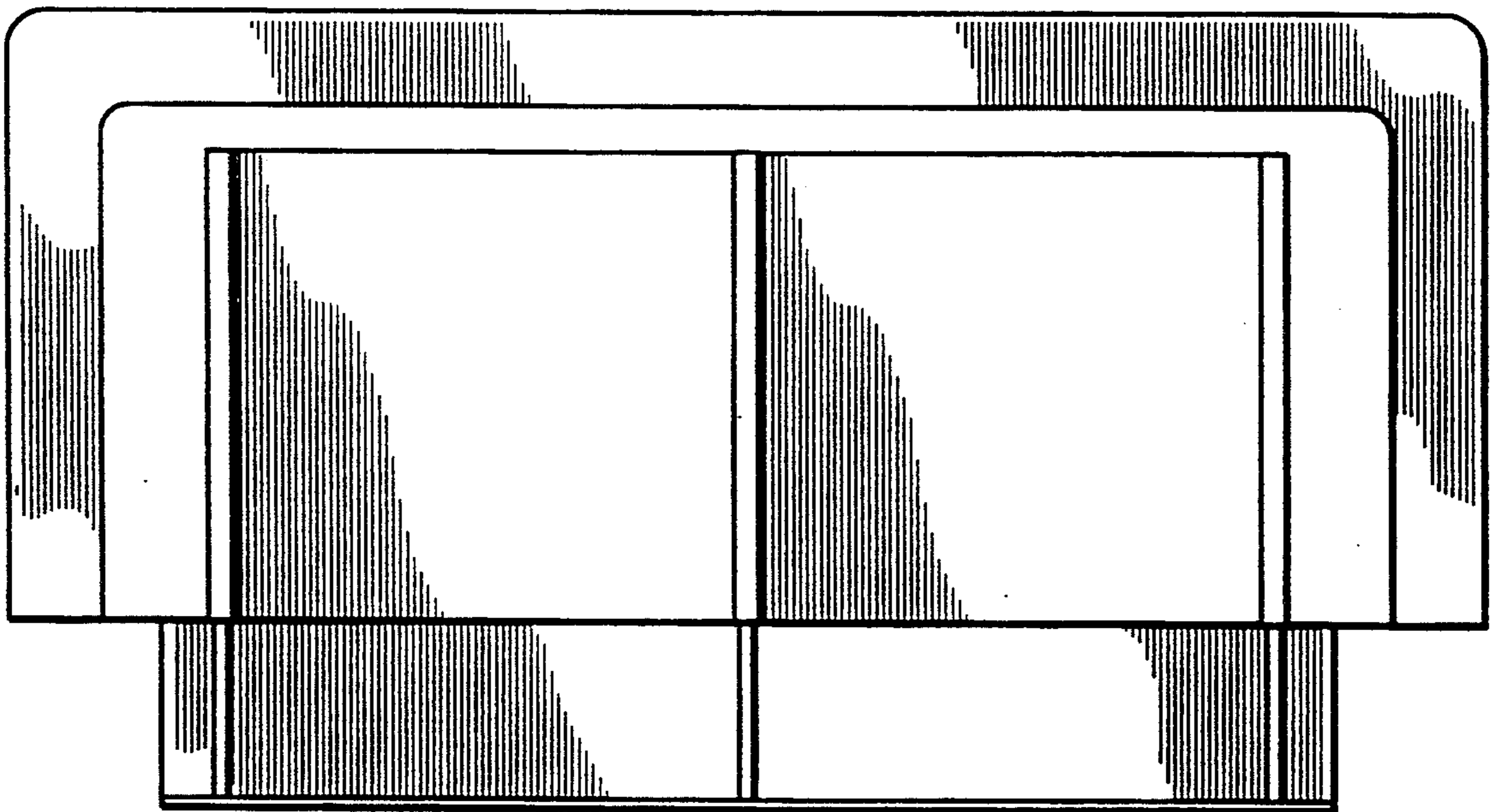


Fig.6

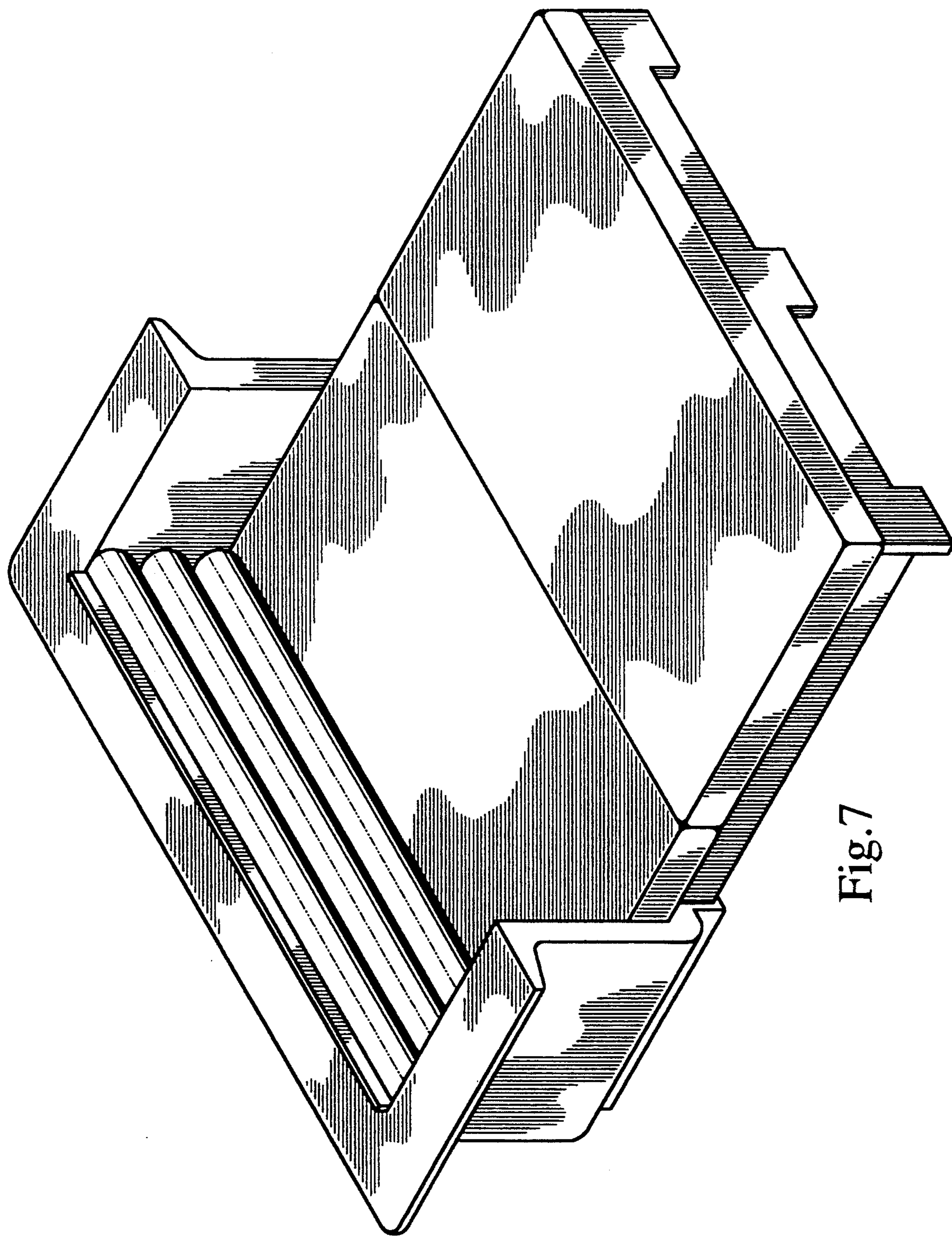


Fig. 7