



US00D327981S

United States Patent [19]

[11] Patent Number: **Des. 327,981**

Speers

[45] Date of Patent: **** Jul. 21, 1992**

[54] **DRINKING CONTAINER HOLDER FOR AUTOMOBILES**

[56] **References Cited**

U.S. PATENT DOCUMENTS

[75] Inventor: **Samuel F. Speers, Sarasota, Fla.**

D. 173,121	9/1954	Lynn	D7/620 X
D. 279,836	7/1985	Tanaka	D3/40
D. 307,040	4/1990	Helalian	D21/201 X
D. 309,848	8/1990	Sokolski	D7/620
D. 320,637	10/1991	Fish, Jr. et al.	D21/201
3,244,420	4/1966	Poynter	D21/201 X
4,865,237	9/1989	Allen	D7/620 X

[73] Assignee: **Design Data, Inc., East Greenwich, R.I.**

Primary Examiner—Louis S. Zarfes
Attorney, Agent, or Firm—Salter, Michaelson & Benson

[**] Term: **14 Years**

[57] CLAIM

[21] Appl. No.: **506,708**

The ornamental design for a drinking container holder for automobiles, as shown.

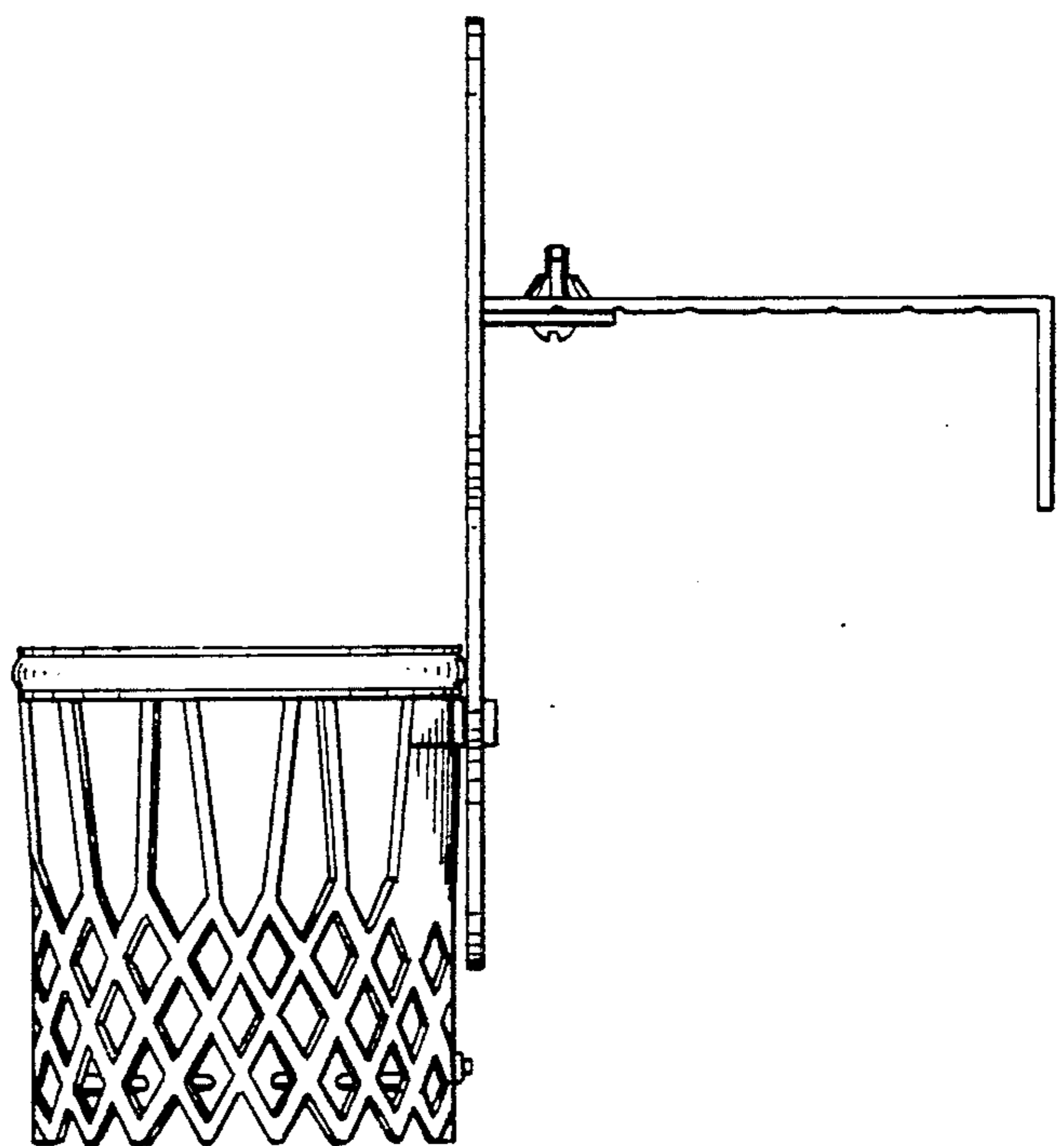
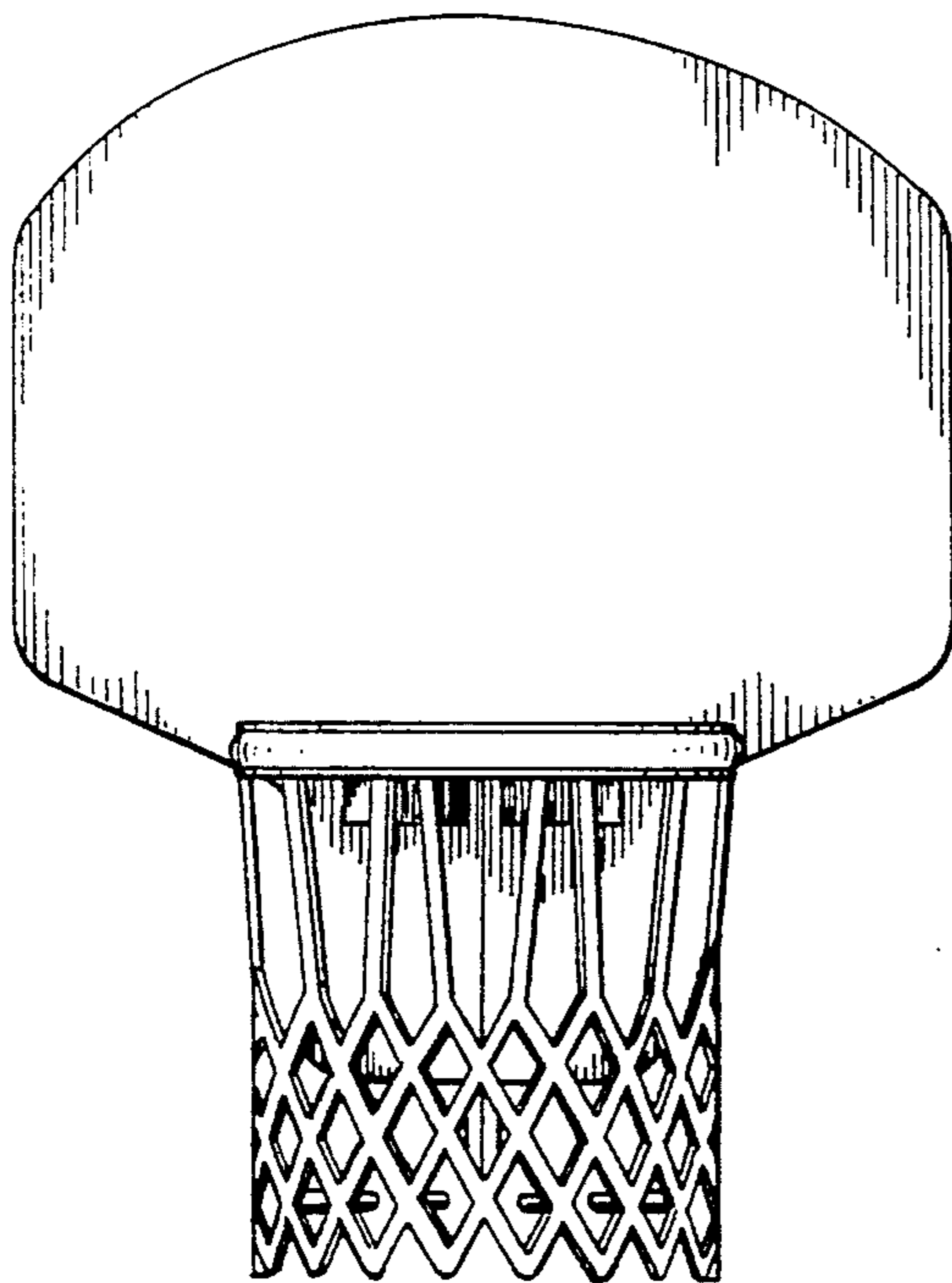
[22] Filed: **Apr. 9, 1990**

DESCRIPTION

[52] U.S. Cl. **D3/40; D7/620; D21/201**

FIG. 1 is a front elevational view of a drinking container holder for automobiles showing my new design; FIG. 2 is a rear elevational view thereof; FIG. 3 is a top plan view thereof; FIG. 4 is a bottom plan view thereof; and, FIG. 5 is a side elevational view thereof.

[58] Field of Search **D3/40; D7/620; D12/155; 108/44-46; 242/42.11, 42.42, 273, 275, 329; D21/201**



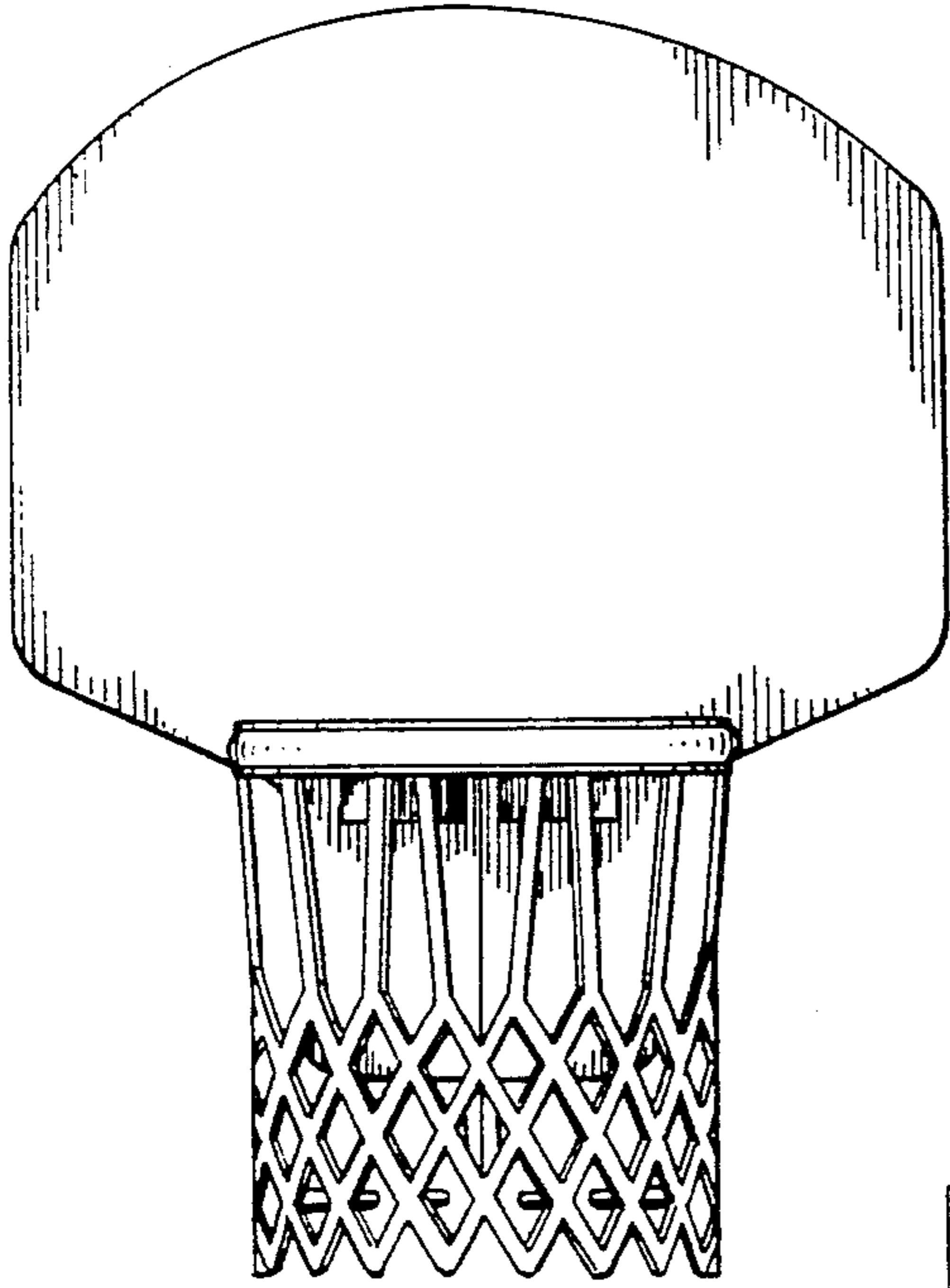


FIG. 1

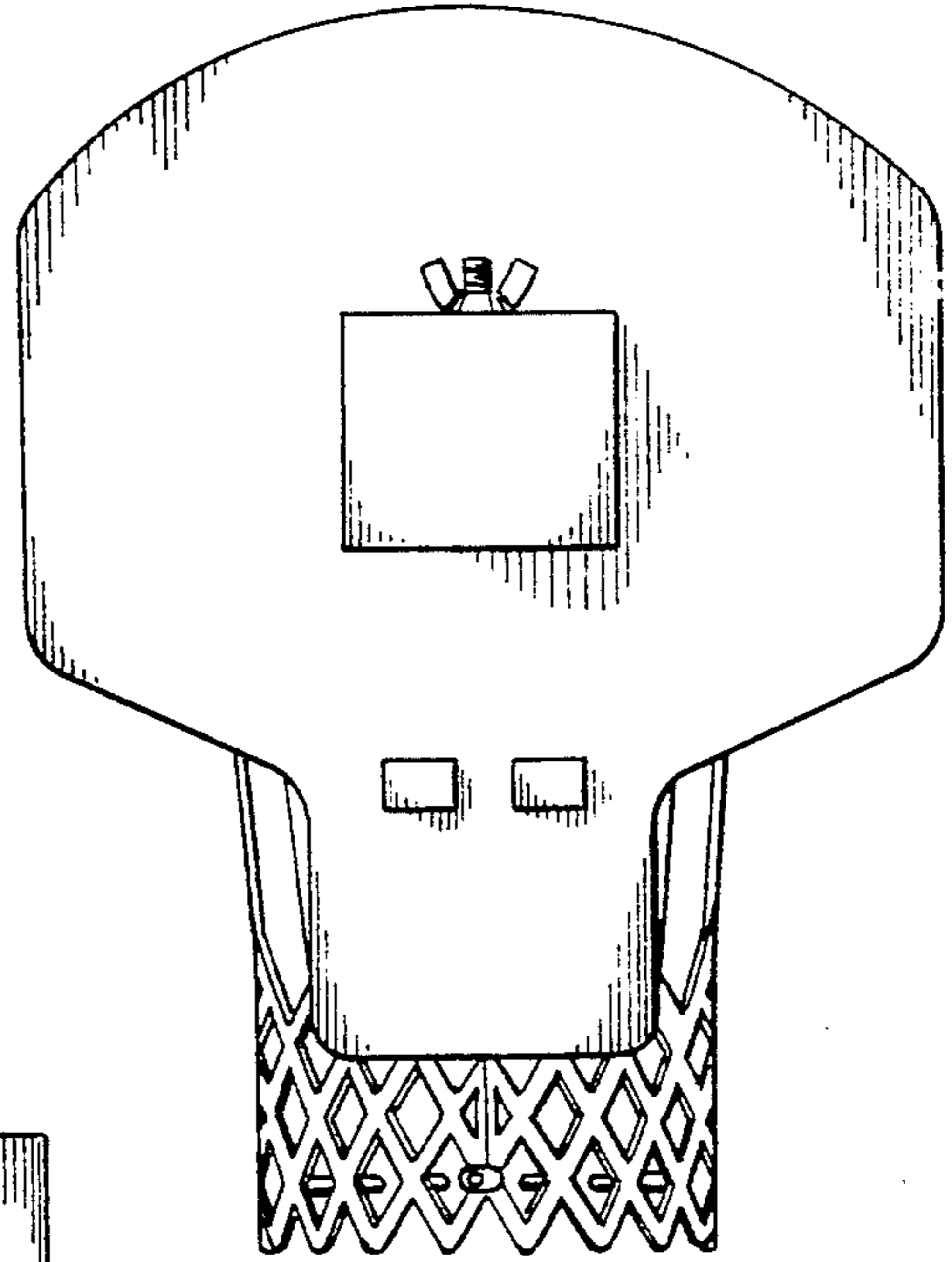


FIG. 2

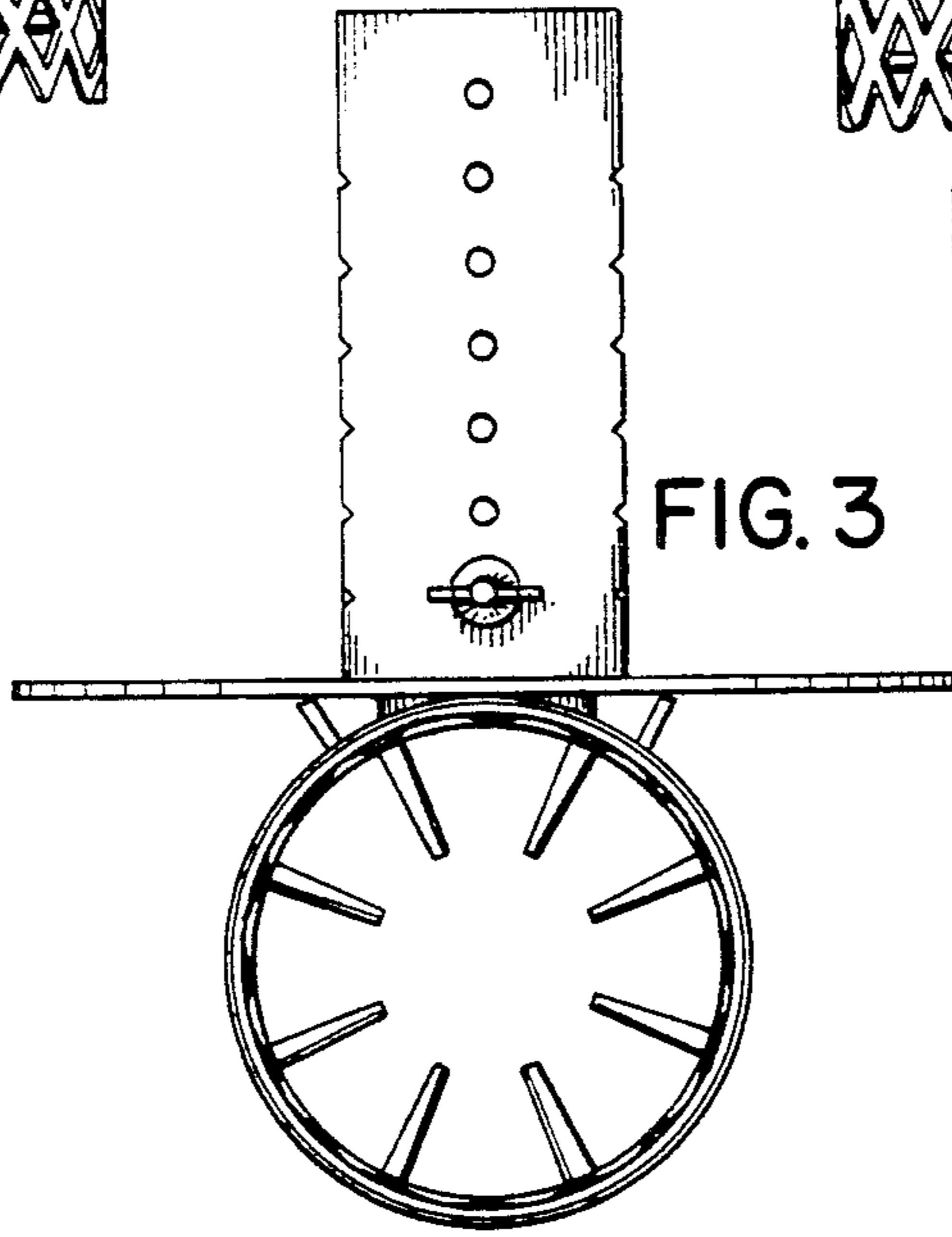


FIG. 3

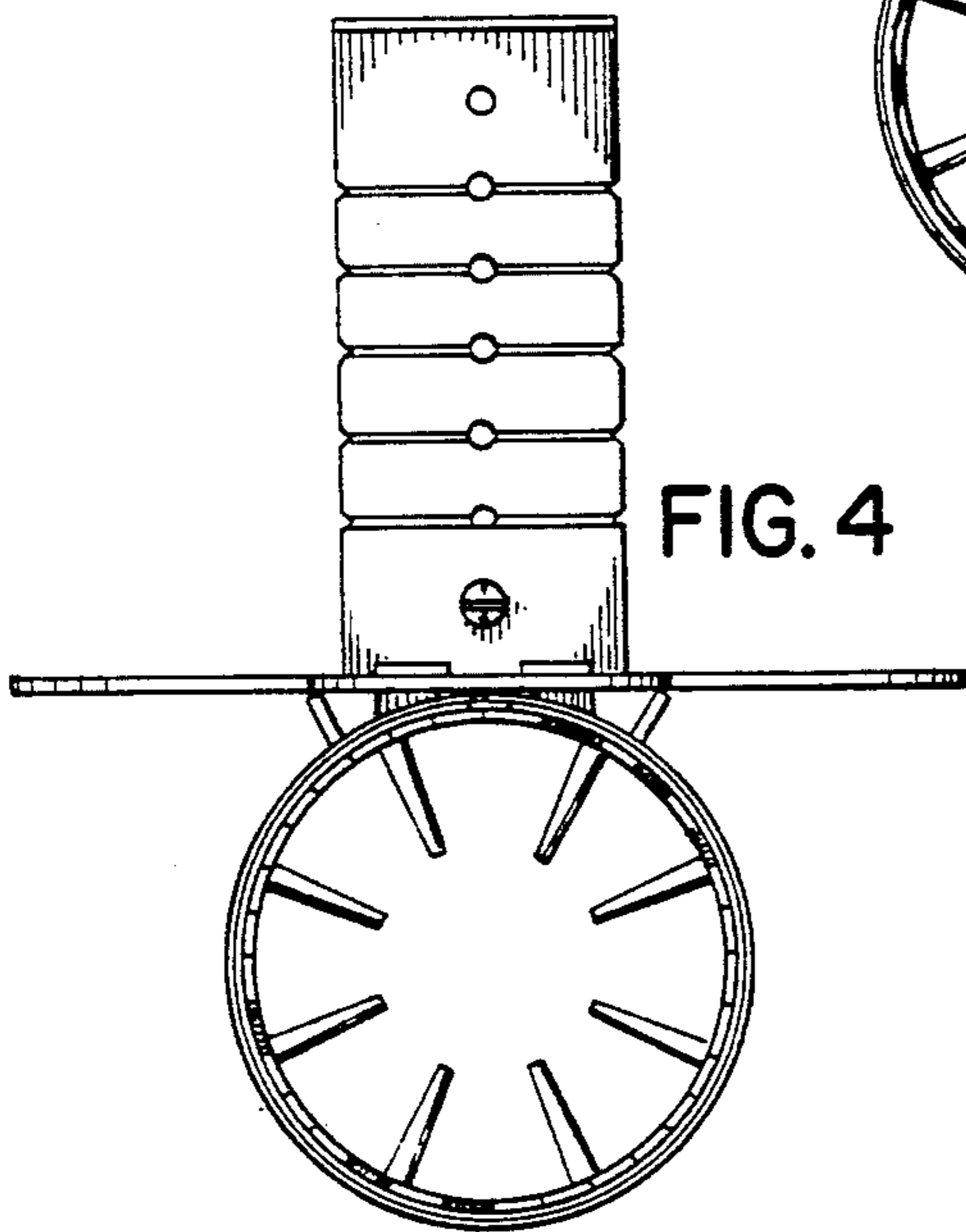


FIG. 4

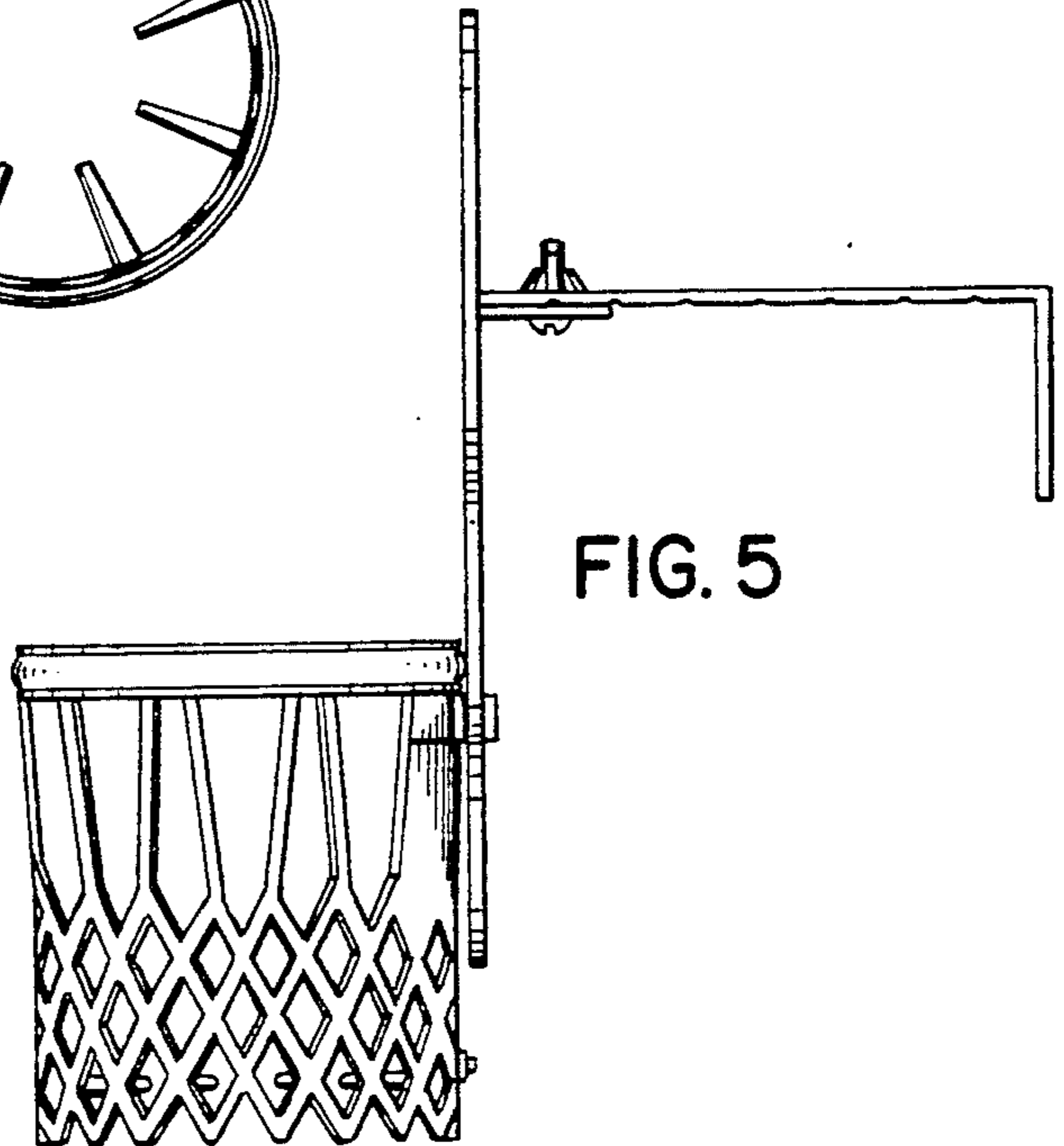


FIG. 5