



US00D327969S

United States Patent [19]

[11] Patent Number: **Des. 327,969**

Budrow et al.

[45] Date of Patent: **** Jul. 14, 1992**

[54] **HOUSING FOR AN ELECTRICALLY OPERATED JACK**

[75] Inventors: **Jack C. Budrow**, Battle Creek;
Edward J. Eden, Jackson, both of Mich.

[73] Assignee: **Barker Manufacturing Company**, Marshall, Mich.

[**] Term: **14 Years**

[21] Appl. No.: **533,911**

[22] Filed: **Jun. 6, 1990**

[52] U.S. Cl. **D34/31**

[58] Field of Search **D34/31; 280/303, 293, 280/295, 304.3; 254/93 H, 134, 420; 414/559**

[56] **References Cited**

U.S. PATENT DOCUMENTS

3,288,435 6/1964 Starkey 254/420
3,592,443 7/1971 Budrow et al. 254/420

Primary Examiner—Wallace R. Burke
Assistant Examiner—H. Baynham
Attorney, Agent, or Firm—Beaman & Beaman

[57] **CLAIM**

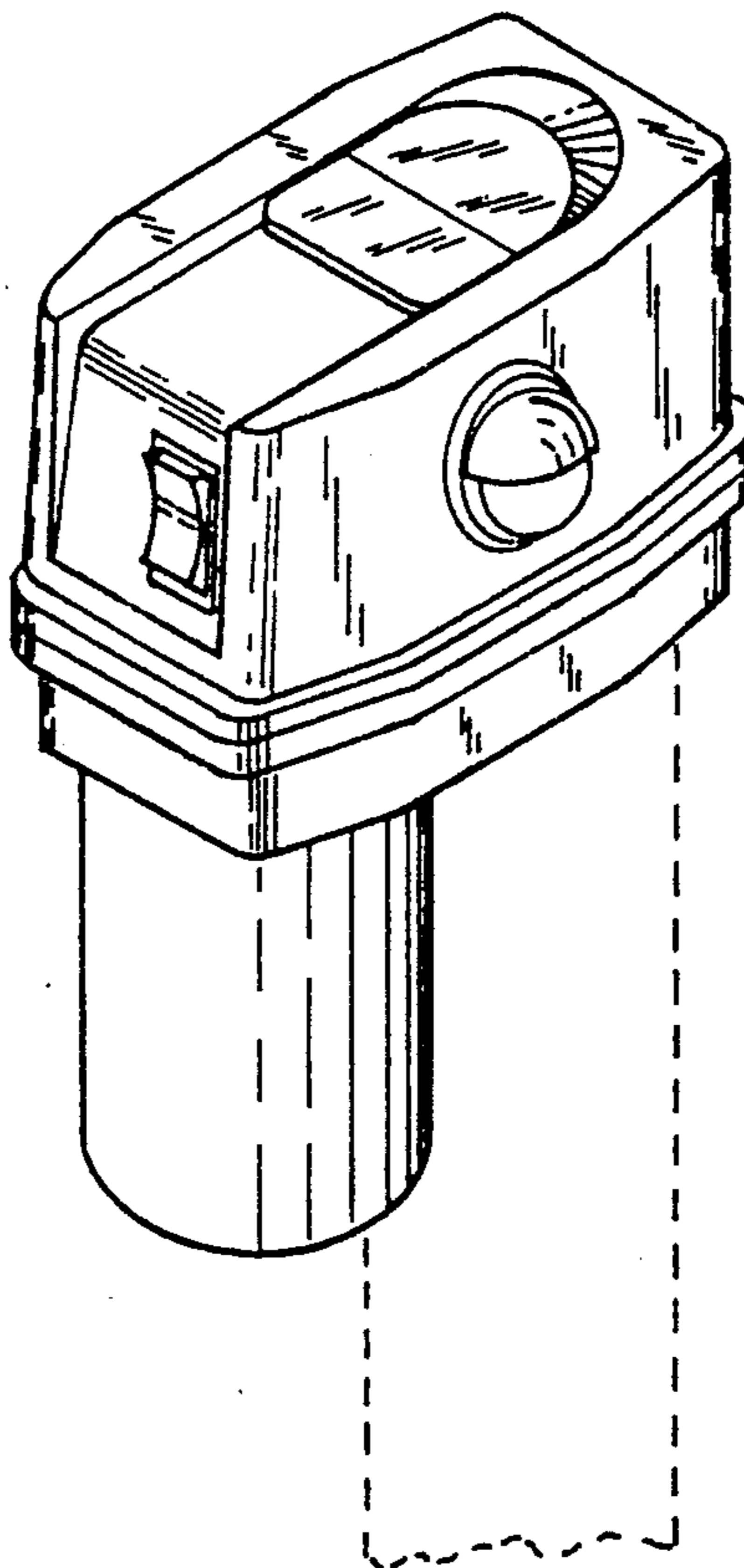
The ornamental design of a housing for an electrically operated jack, substantially as shown and described.

DESCRIPTION

FIG. 1 is a perspective view of a housing for an electrically operated jack showing our new design; FIG. 2 is a right side elevational view thereof with the opposite side being a mirror image thereof; FIG. 3 is a front elevational view thereof; FIG. 4 is a rear elevational view thereof; and, FIG. 5 is a top plan view thereof.

The undisclosed bottom portion is planar and unornamented.

The broken line showing of a jack shaft is for illustrative purposes only and forms no part of the claimed invention.



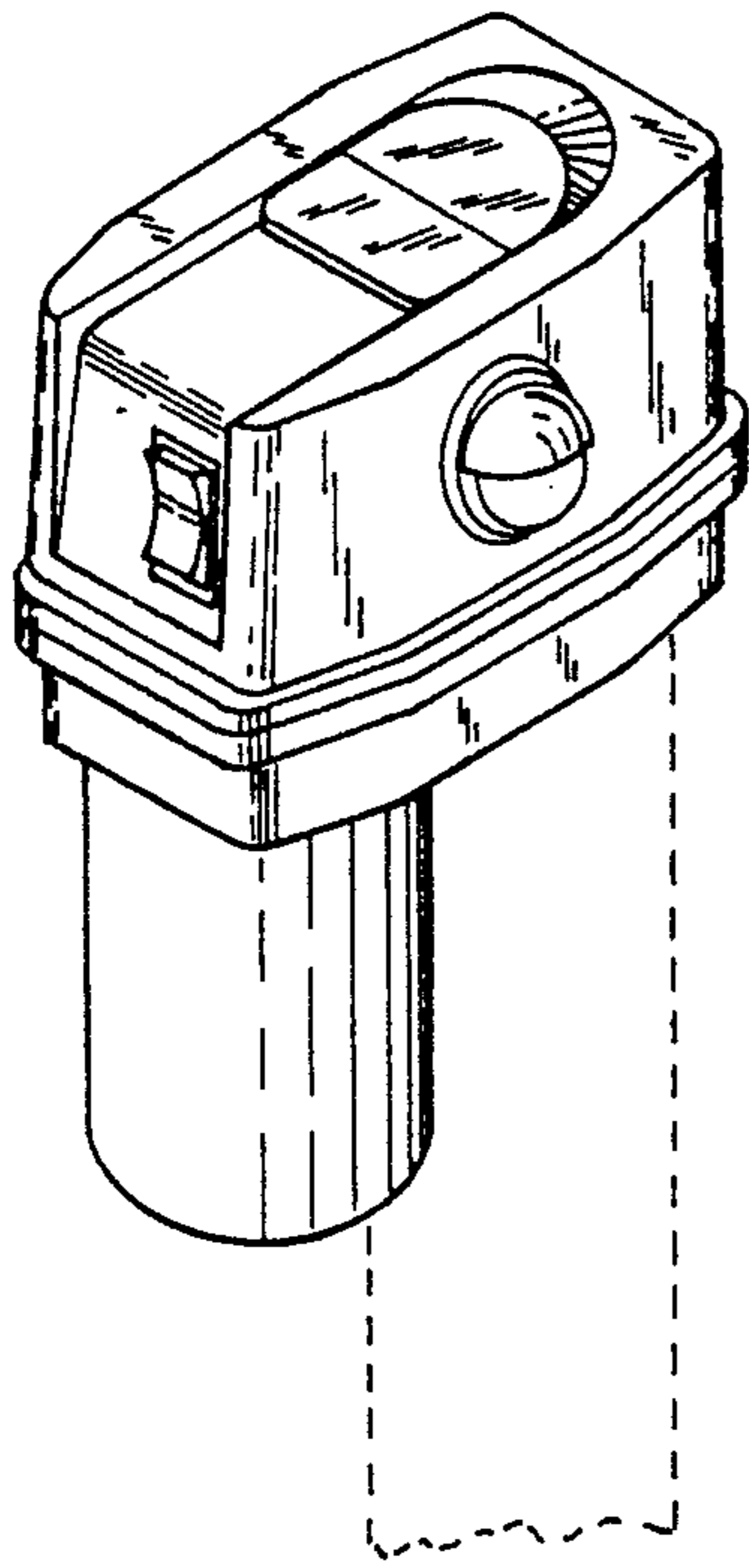


Fig-1

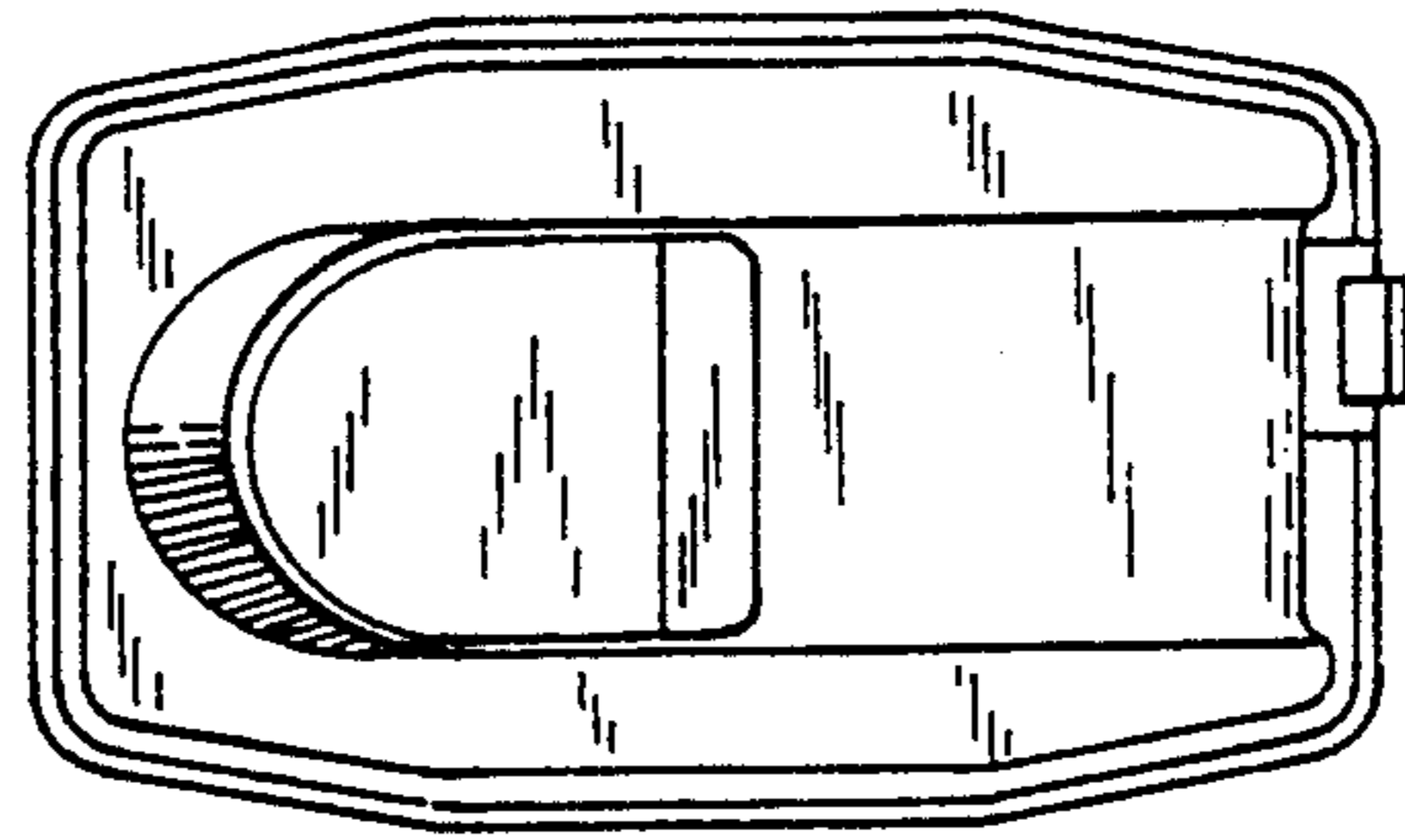


Fig-5

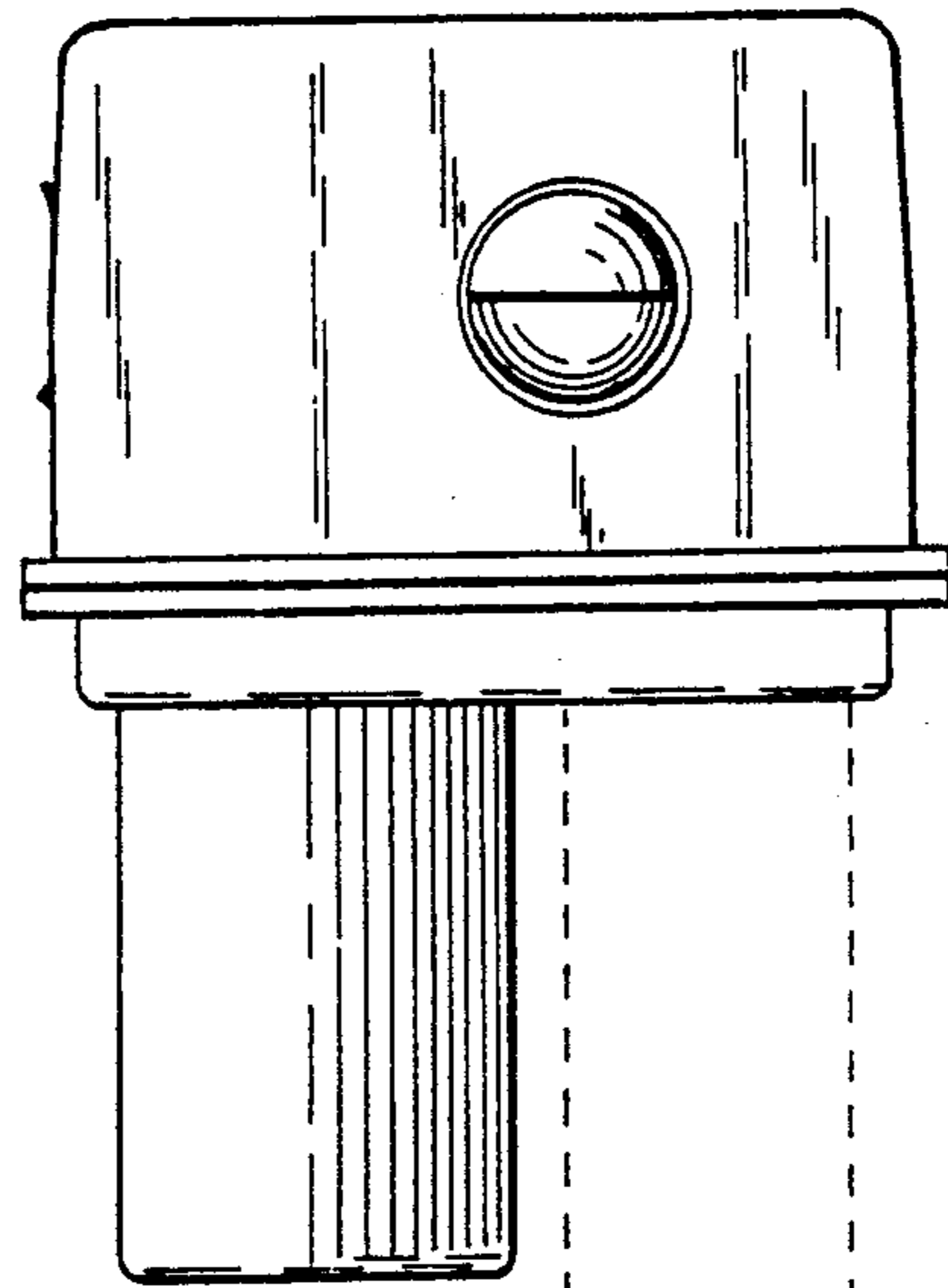


Fig-2

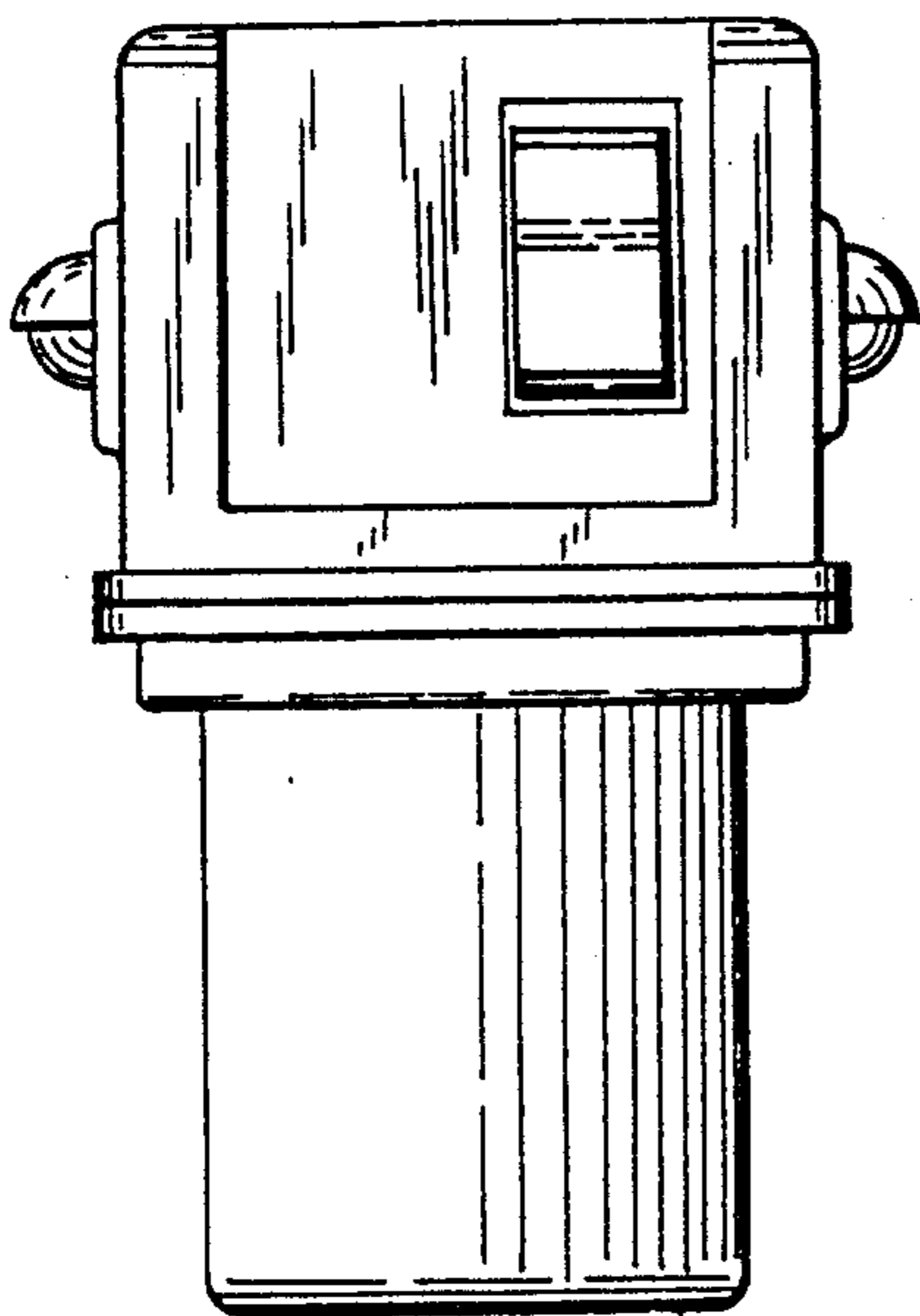


Fig-3

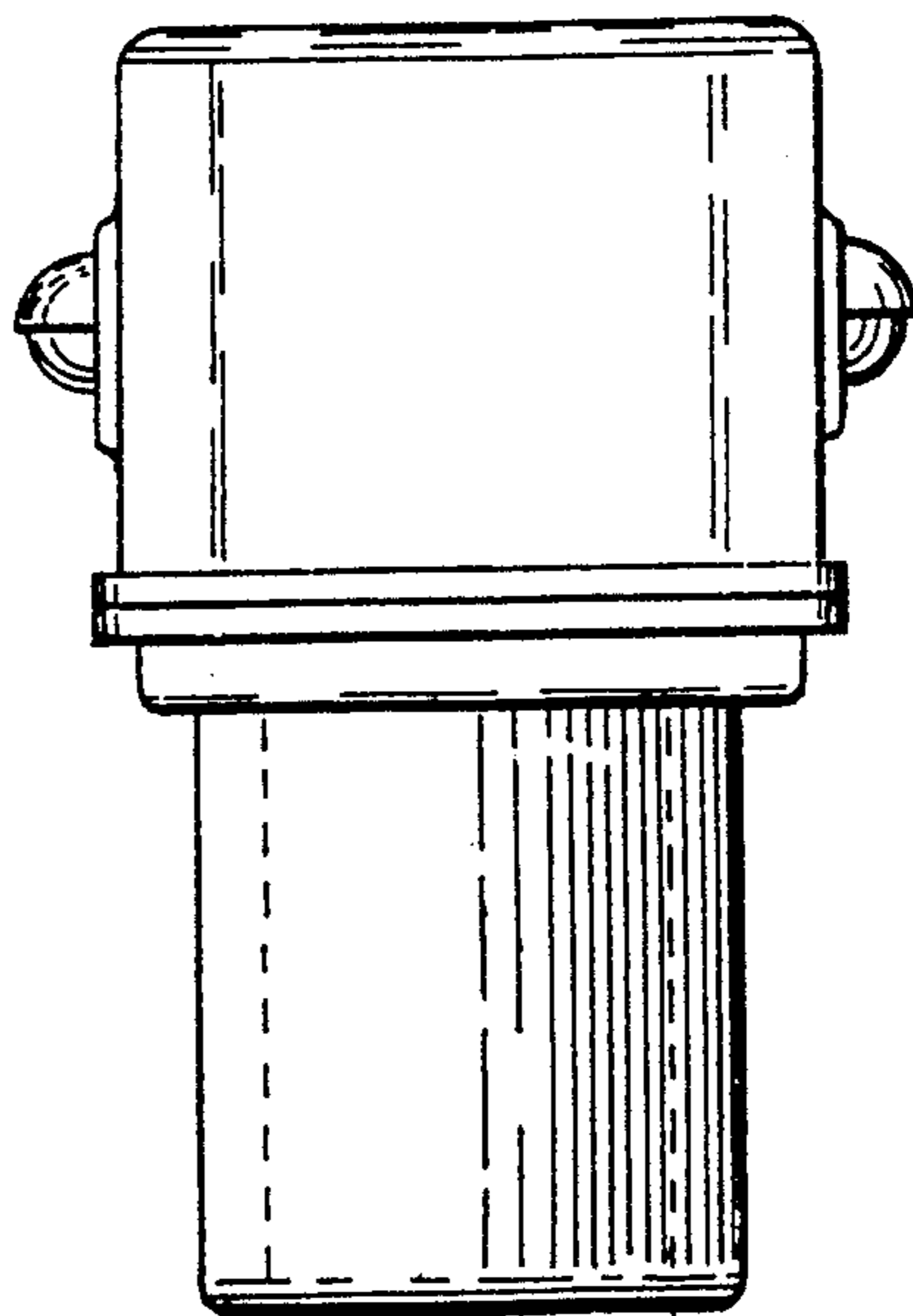


Fig-4