



US00D327968S

**United States Patent** [19]  
**Wright**

[11] **Patent Number: Des. 327,968**

[45] **Date of Patent: \*\* Jul. 14, 1992**

[54] **HUNTER'S CARRYING CART**

4,861,057 8/1989 Kunkle ..... 280/47.131

[76] **Inventor: Frederick M. Wright, P.O. Box 167,  
El Dorado, Ark. 71731**

*Primary Examiner*—Kay H. Chin  
*Attorney, Agent, or Firm*—Stephen D. Carver

[\*\*] **Term: 14 Years**

[57] **CLAIM**

[21] **Appl. No.: 573,657**

The ornamental design for a hunter's carrying cart, as shown and described.

[22] **Filed: Aug. 27, 1990**

[52] **U.S. Cl. .... D34/24; D34/12**

[58] **Field of Search .... D34/24, 25, 12, 26;  
280/47.24, 47.131; 296/20**

**DESCRIPTION**

FIG. 1 is a perspective view of a hunter's carrying cart, showing my new design;  
FIG. 2 is left side elevational view thereof, the opposite side view being a mirror image thereof;  
FIG. 3 is a top plan view thereof;  
FIG. 4 is a front elevational view thereof;  
FIG. 5 is a rear elevational view thereof;  
FIG. 6 is a longitudinal sectional view take generally along line 6-6 of FIG. 3; and,  
FIG. 7 is a bottom plan view thereof.

[56] **References Cited**

**U.S. PATENT DOCUMENTS**

D. 223,343	4/1972	Kirkpatrick	.....	D34/24
3,222,100	12/1965	Lindzy	.....	280/47.24
3,603,608	9/1971	Kirkpartick	.....	280/47.131
3,913,762	10/1975	Alexander	.....	280/47.24

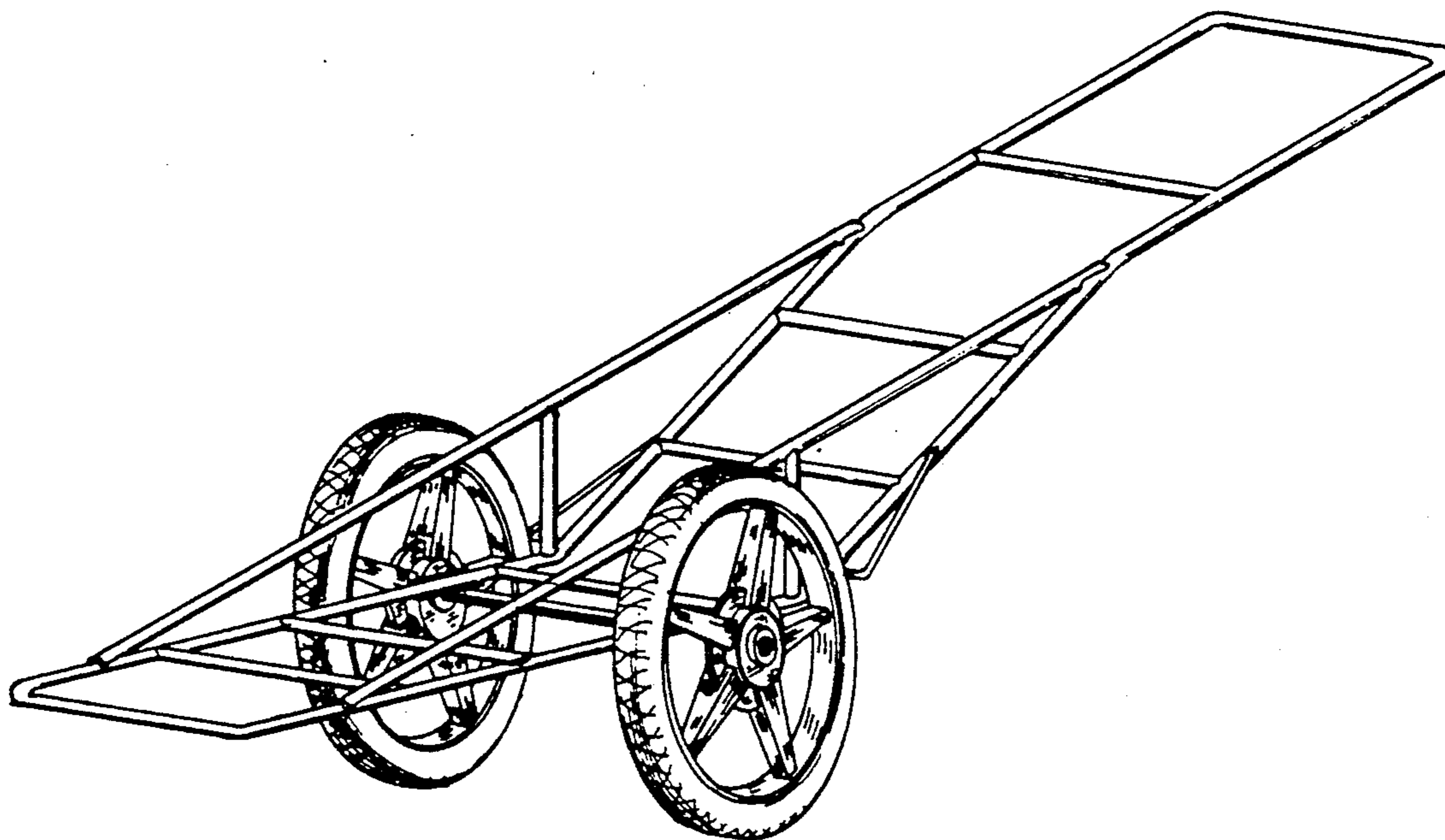


FIG. 1

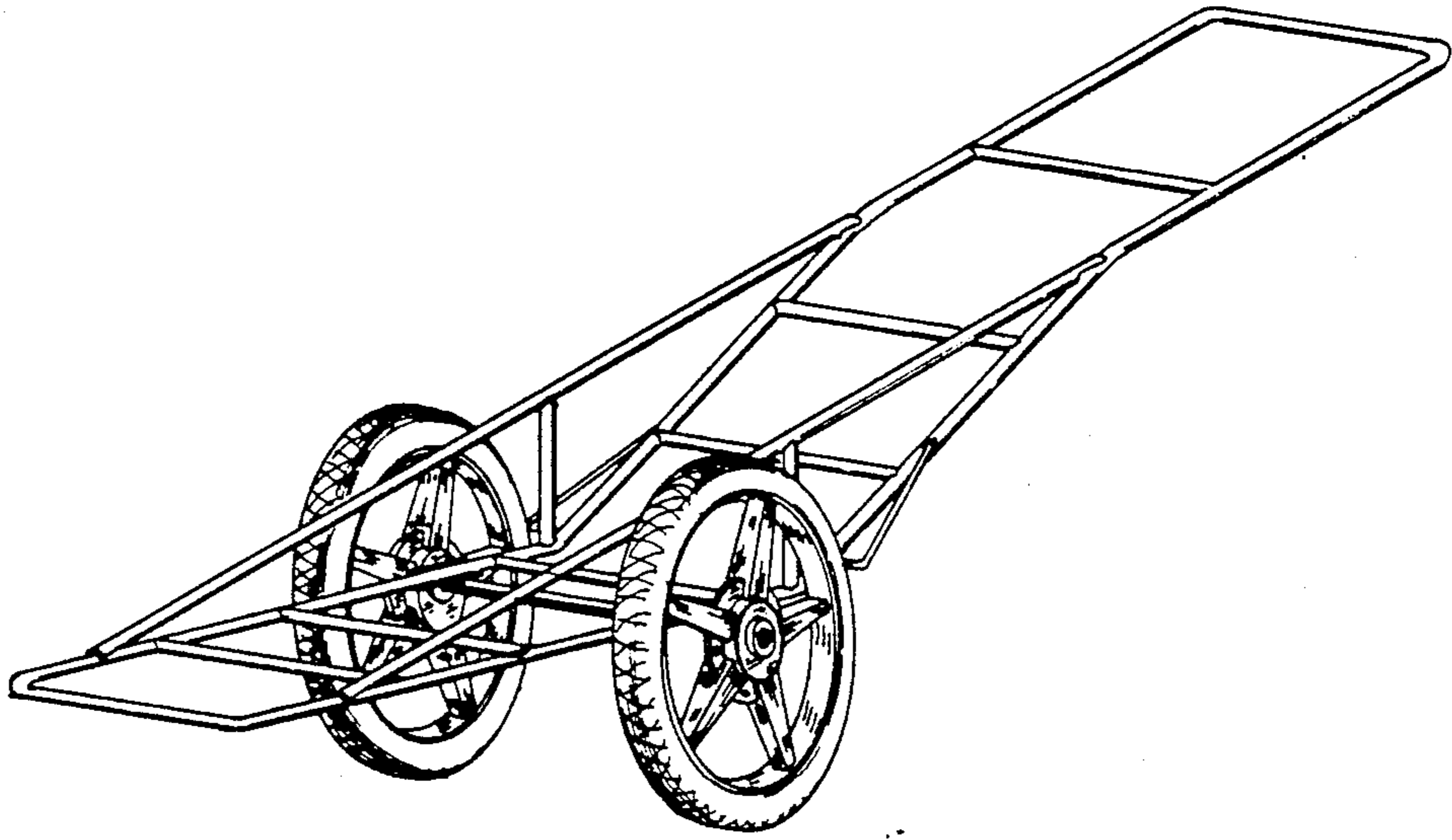


FIG. 2

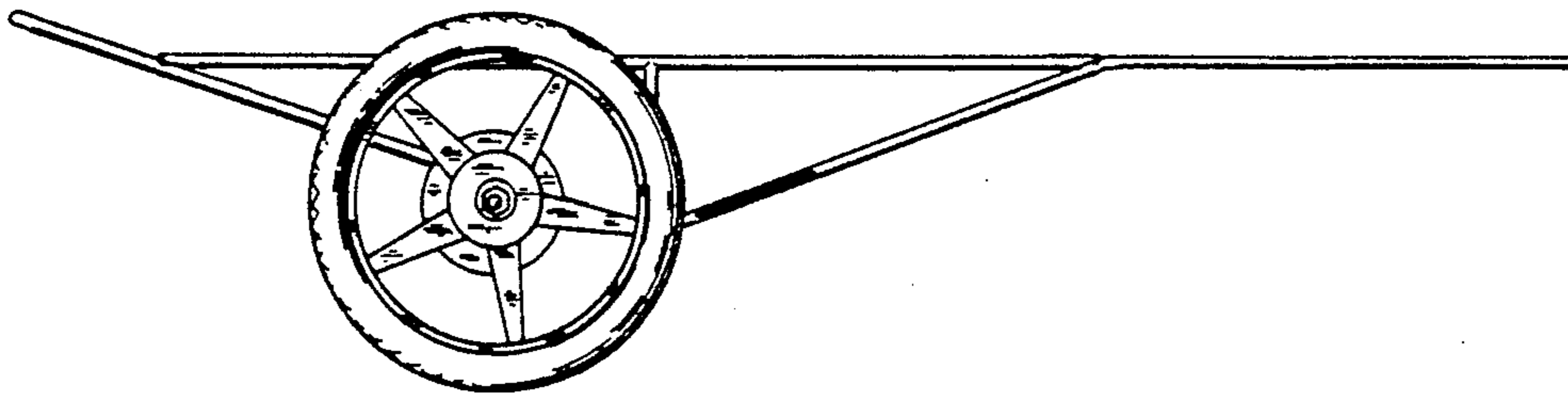


FIG. 3

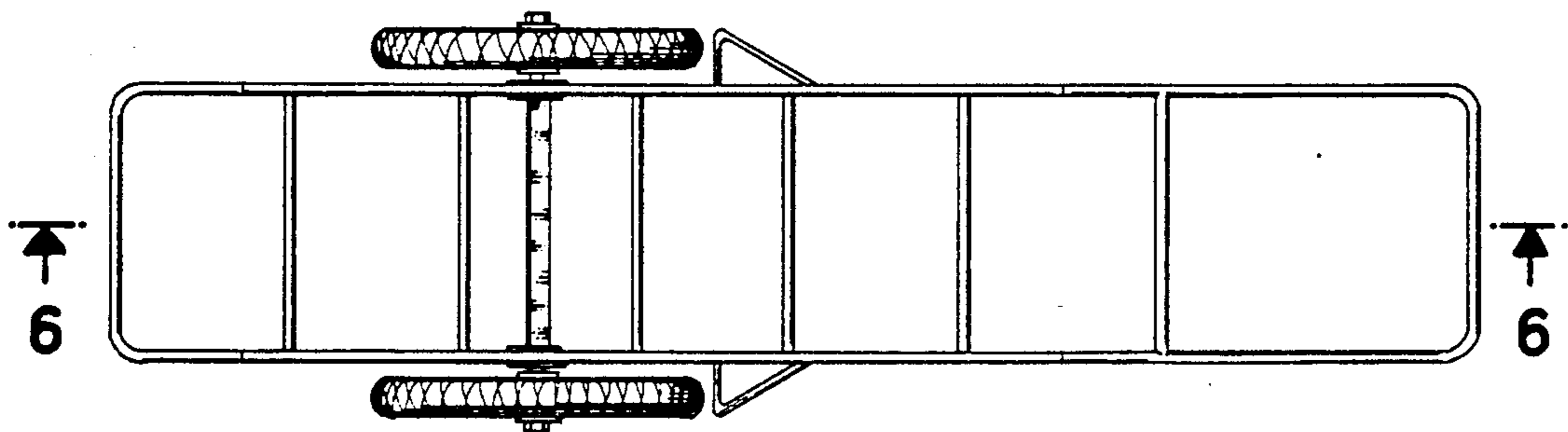


FIG. 4

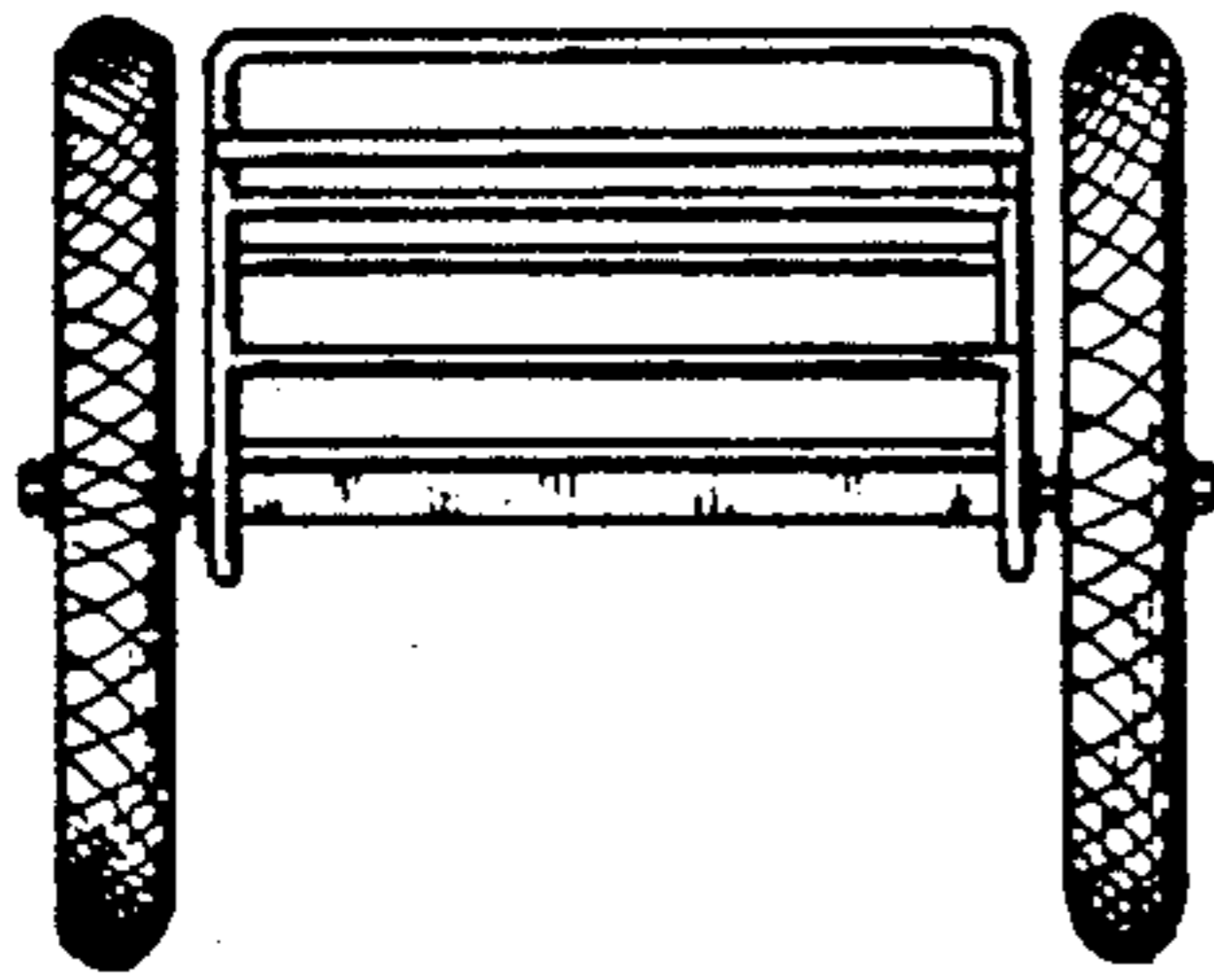


FIG. 5

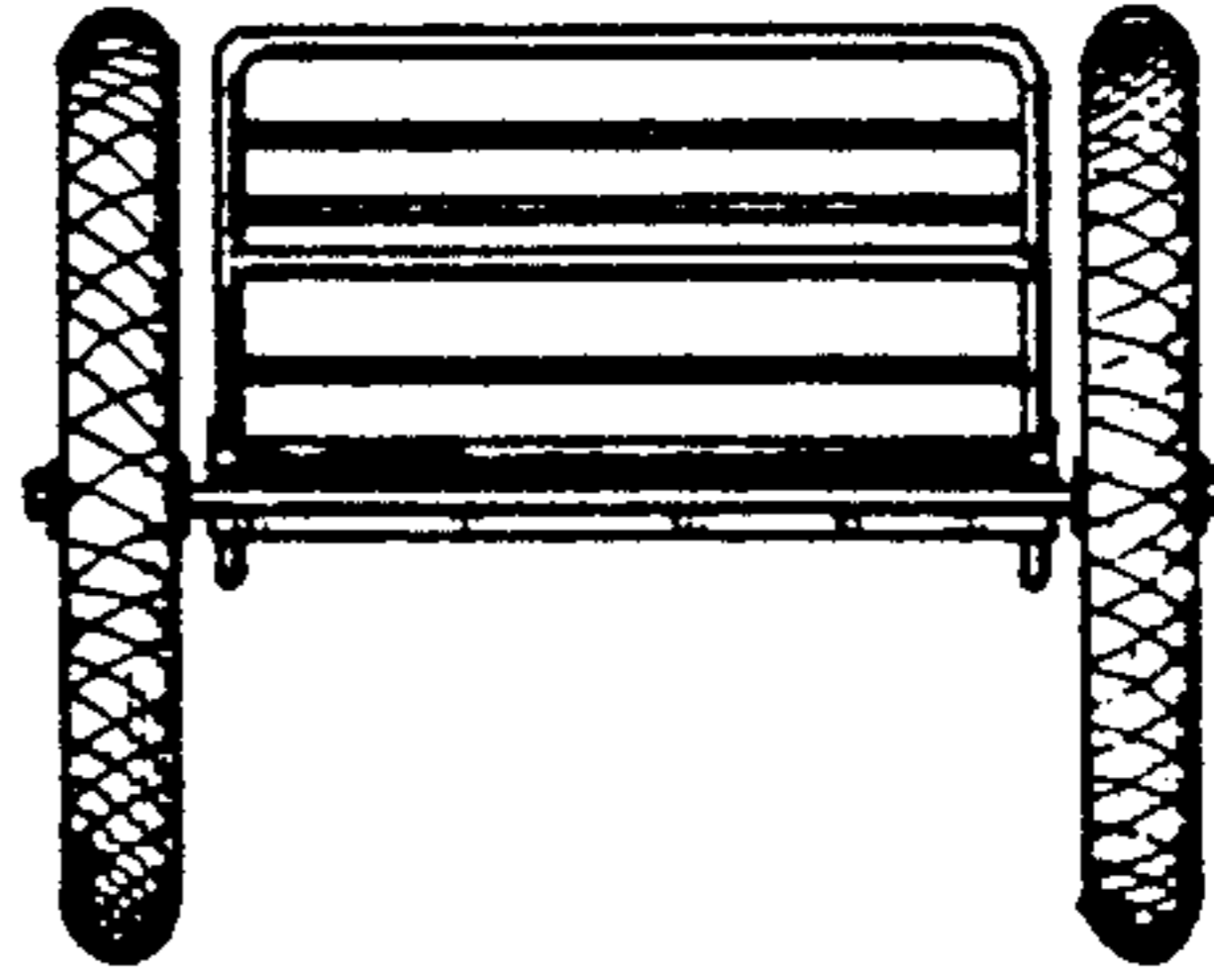


FIG. 6

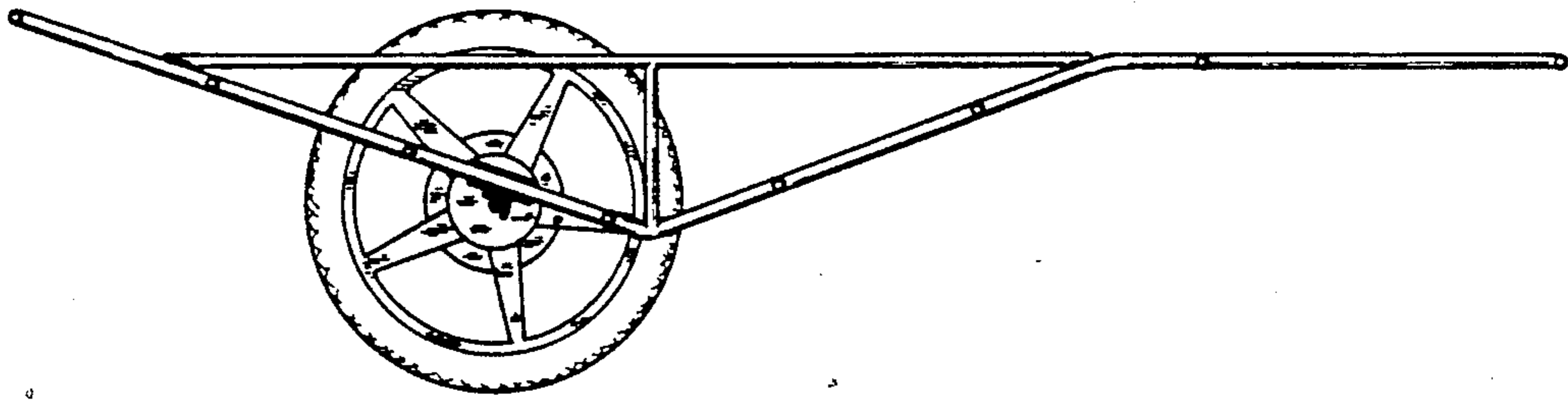


FIG. 7

