



US00D327966S

United States Patent [19]

Hikawa

[11] Patent Number: Des. 327,966

[45] Date of Patent: ** Jul. 14, 1992

[54] SERVING CART WITH REFRIGERATOR

[75] Inventor: Koji Hikawa, Tokyo, Japan

[73] Assignee: Ricoh Company, Ltd., Tokyo, Japan

[**] Term: 14 Years

[21] Appl. No.: 596,583

[22] Filed: Oct. 12, 1990

[30] Foreign Application Priority Data

Apr. 12, 1990 [JP] Japan 2-12581

[52] U.S. Cl. D34/20; D34/19

[58] Field of Search D34/12, 20, 19, 17,
D34/14, 21, 22; 280/47.34; 312/250, 214, 350;
D6/436, 441, 445, 446

[56] References Cited

U.S. PATENT DOCUMENTS

D. 107,970	1/1938	Pfauser	D34/20
D. 114,989	5/1939	Clerc	D6/441
D. 240,629	7/1976	Cope	D34/20
D. 305,172	12/1989	Kolvites et al.	D34/19
D. 305,822	1/1990	Kolvites et al.	D34/19
4,786,122	11/1988	Nichoalds	312/250

Primary Examiner—Kay H. Chin
Attorney, Agent, or Firm—Oblon, Spivak, McClelland,
Maier & Neustadt

[57] CLAIM

The ornamental design for serving cart with refrigerator, as shown and described.

DESCRIPTION

FIG. 1 is a front, top and right side perspective of a serving cart with refrigerator showing my new design; and, FIG. 2 is a rear, bottom and left side perspective view thereof.

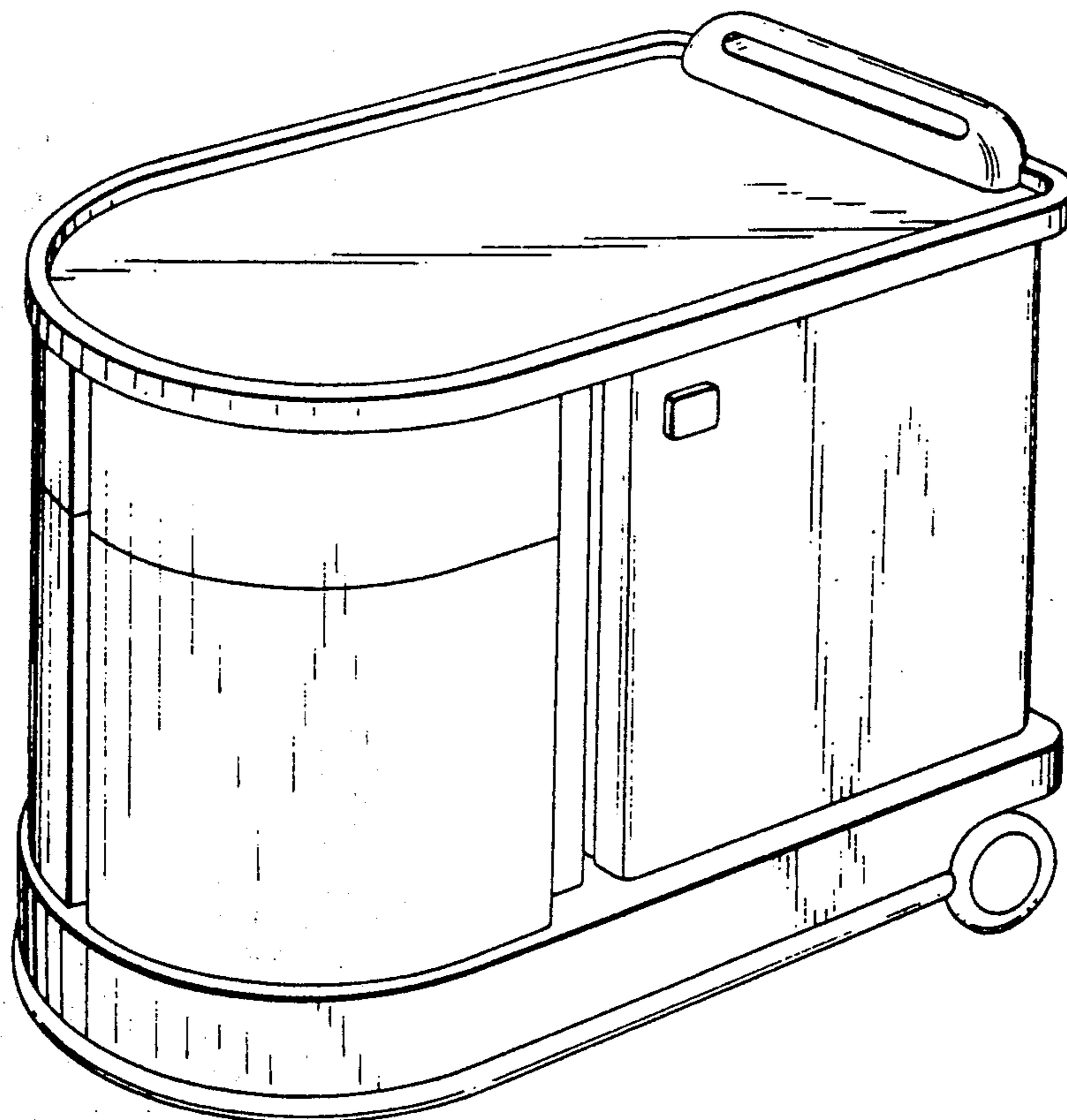


FIG. 1

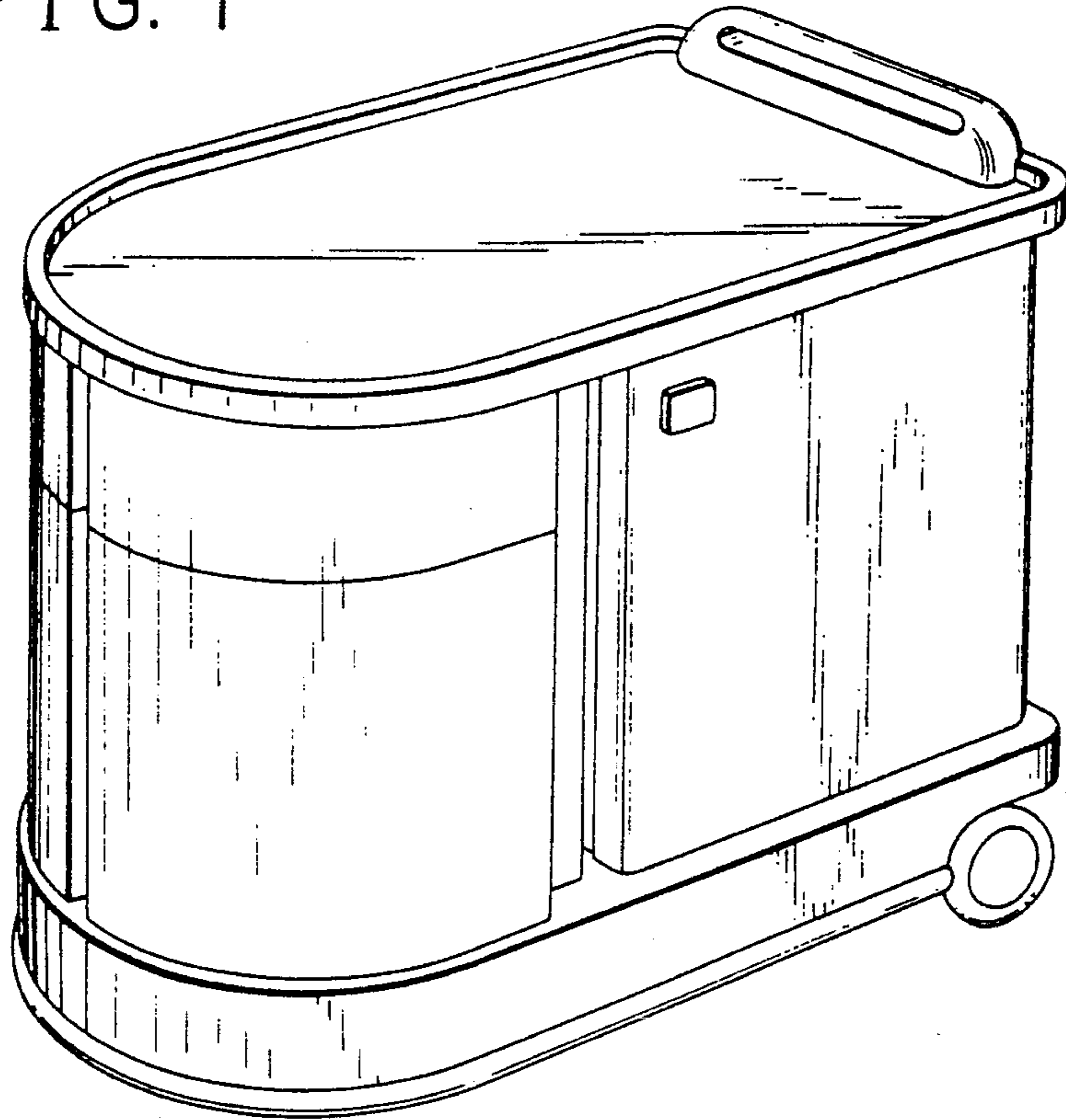


FIG. 2

