



US00D327963S

# United States Patent [19]

[11] Patent Number: Des. 327,963

Westlake

[45] Date of Patent: \*\* Jul. 14, 1992

[54] GLOVE HEATER

3,917,266 11/1975 Kley .  
4,209,913 7/1980 Wallin .

[76] Inventor: John L. Westlake, 5314 Chateau Th.,  
Milford, Mich. 48042

Primary Examiner—A. Hugo Word  
Assistant Examiner—Ruth McInroy  
Attorney, Agent, or Firm—Terry M. Gernstein

[\*\*] Term: 14 Years

[21] Appl. No.: 578,852

[57] CLAIM

[22] Filed: Sep. 6, 1990

The ornamental design for a glove heater, as shown and described.

[52] U.S. Cl. .... D32/8

[58] Field of Search ..... D32/1, 8, 21; 34/201,  
34/202, 209, 48

## DESCRIPTION

[56] References Cited

### U.S. PATENT DOCUMENTS

D. 191,840	11/1961	Snow	.....	D32/8
D. 193,677	9/1962	Bengtson	.....	D32/8
D. 213,129	1/1969	Schenck	.....	D32/8
D. 233,551	11/1974	Sitterle	.....	D32/1
3,479,749	11/1969	Del Moral	.	

FIG. 1 is a perspective view of a glove heater showing my new design;

FIG. 2 is a front elevational view thereof;

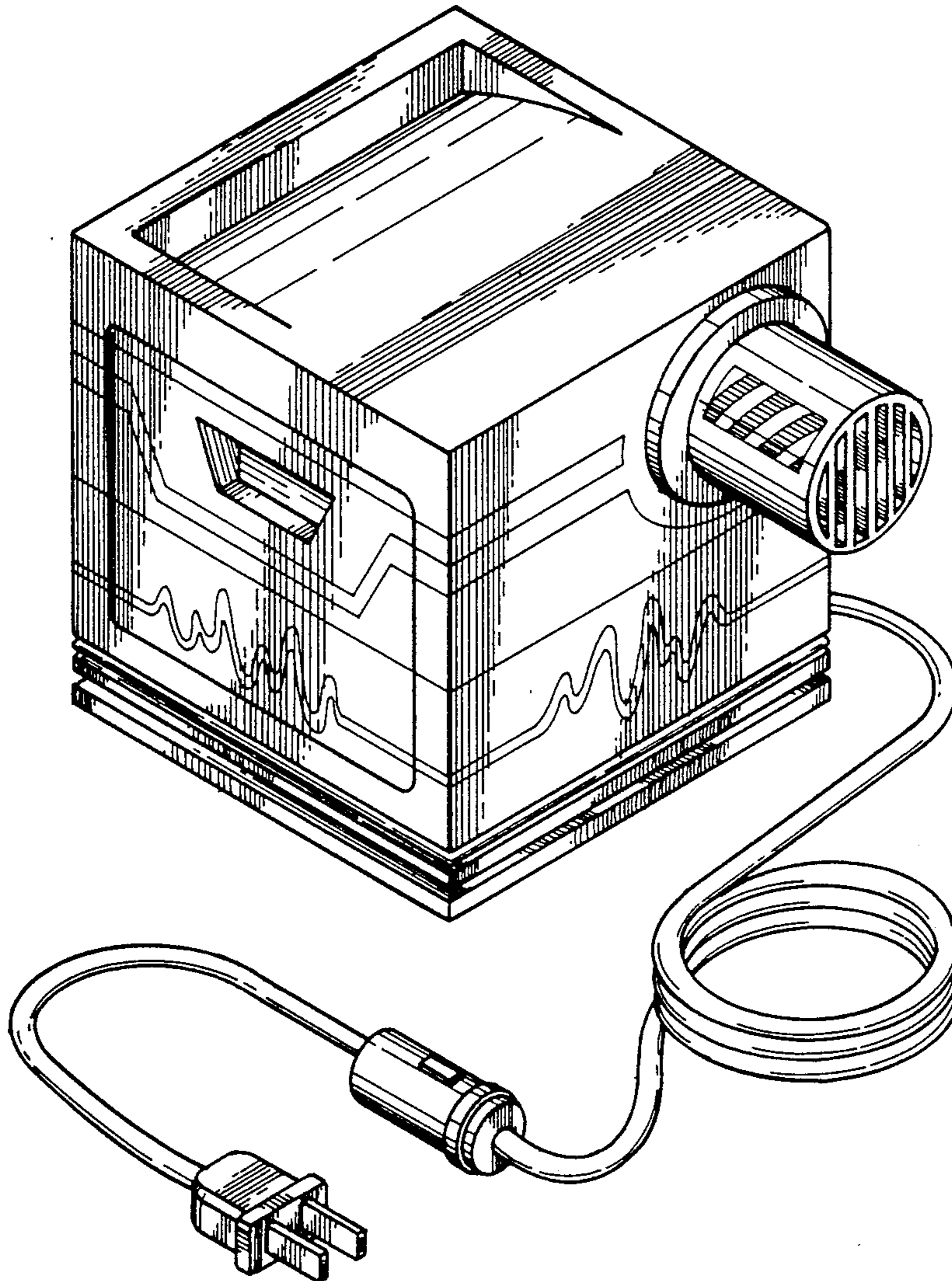
FIG. 3 is a rear elevational view thereof;

FIG. 4 is a right side elevational view thereof;

FIG. 5 is a left side elevational view thereof;

FIG. 6 is a top plan view thereof; and,

FIG. 7 is a bottom plan view thereof.



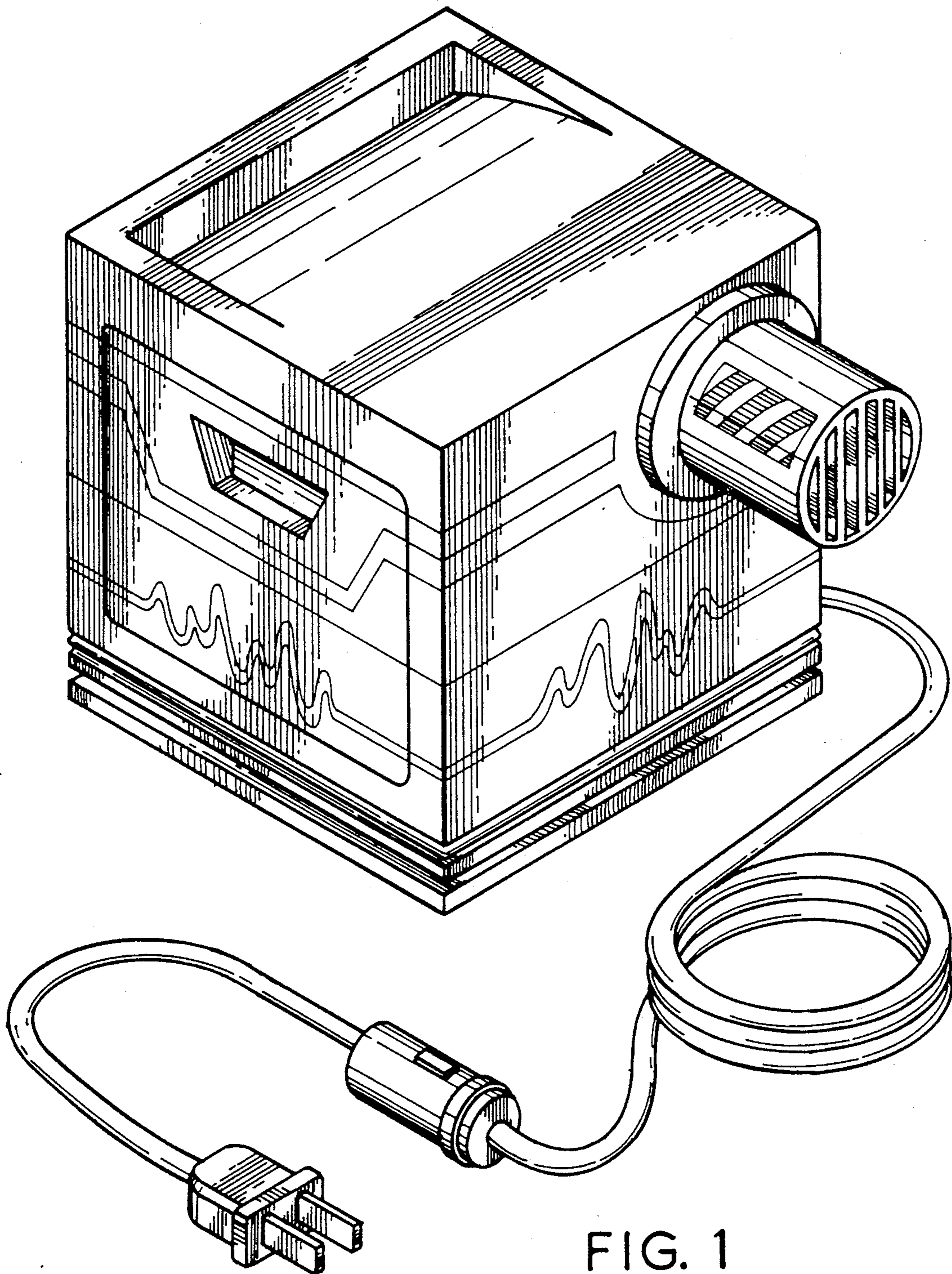


FIG. 1

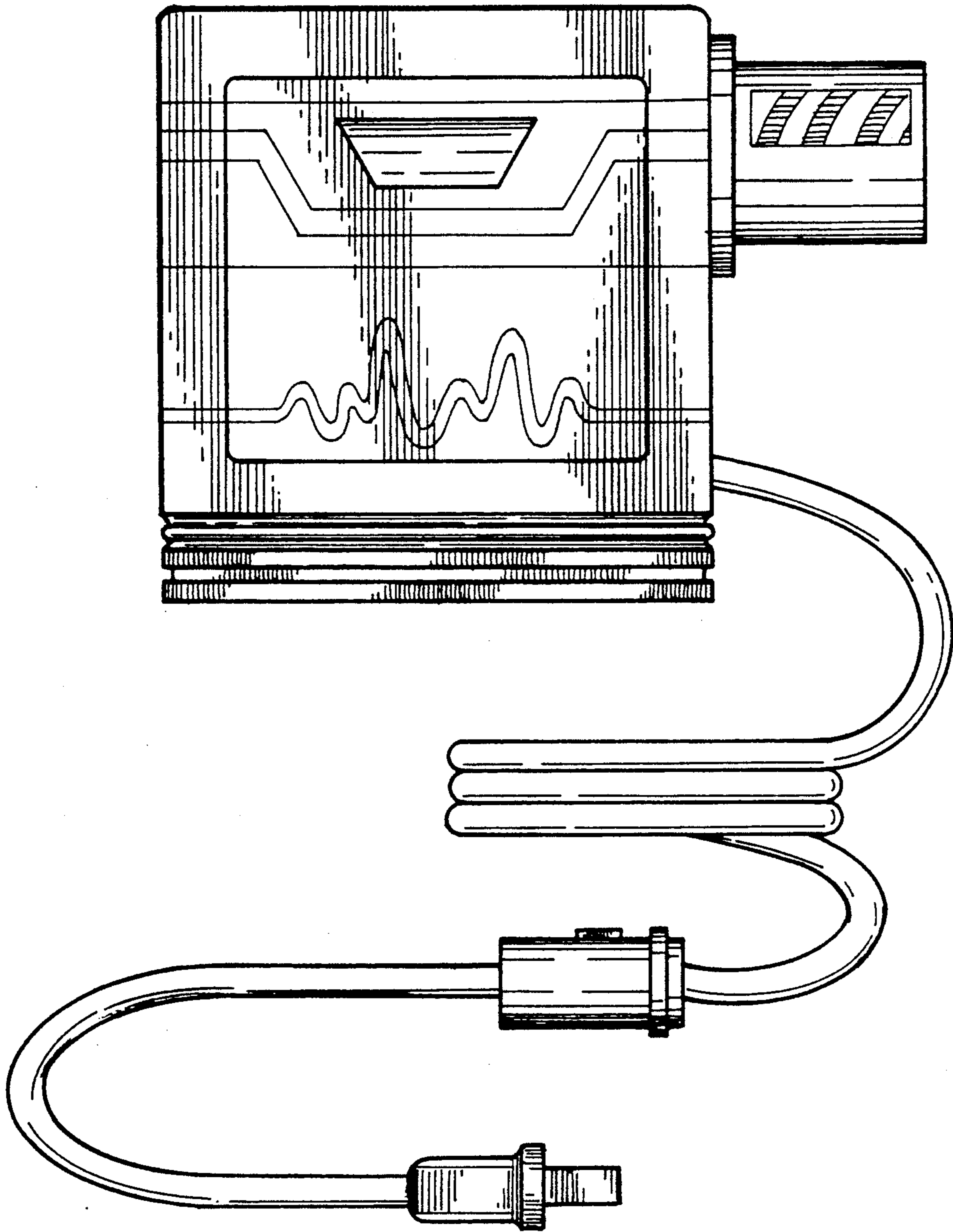


FIG. 2

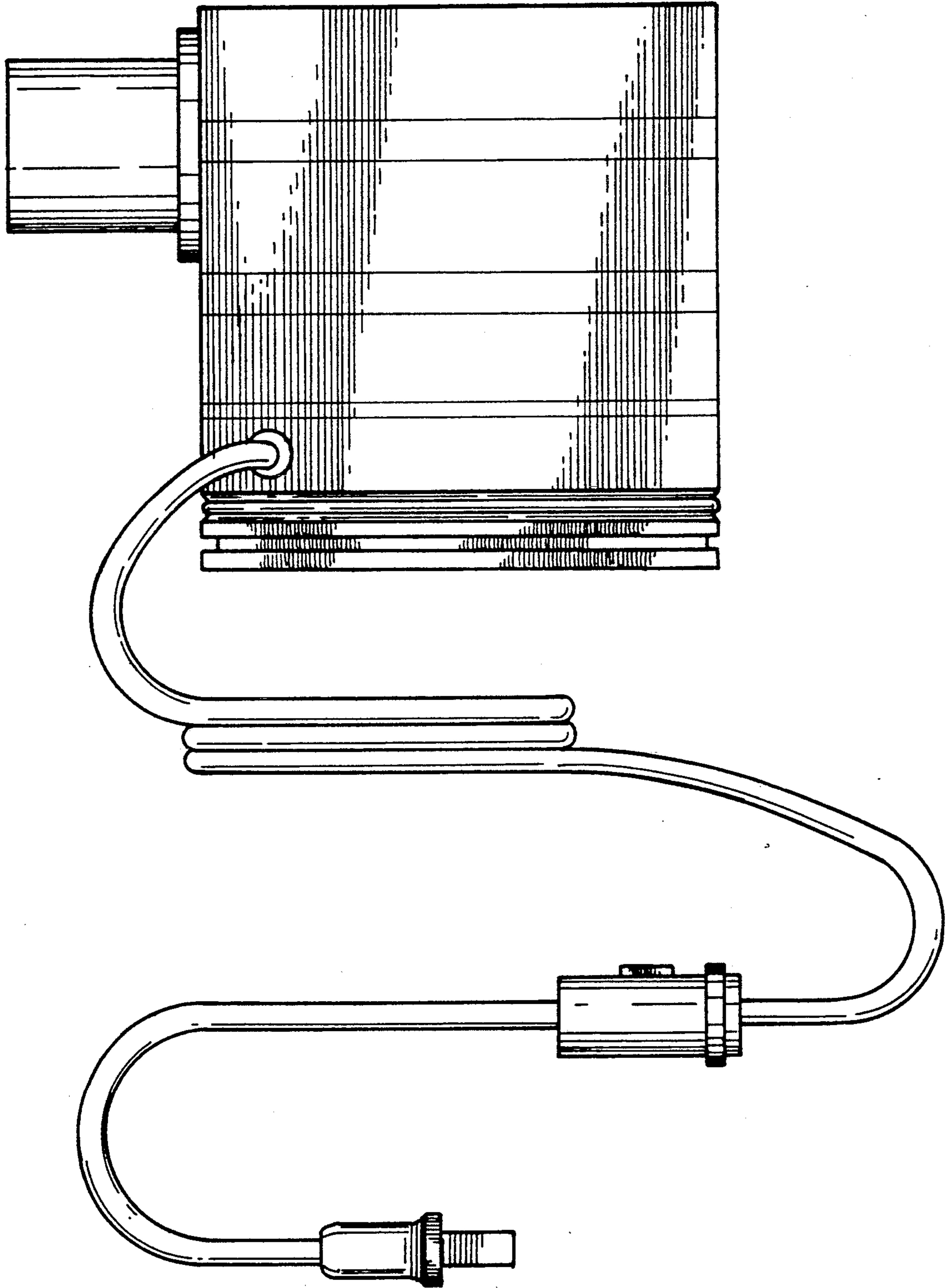


FIG. 3

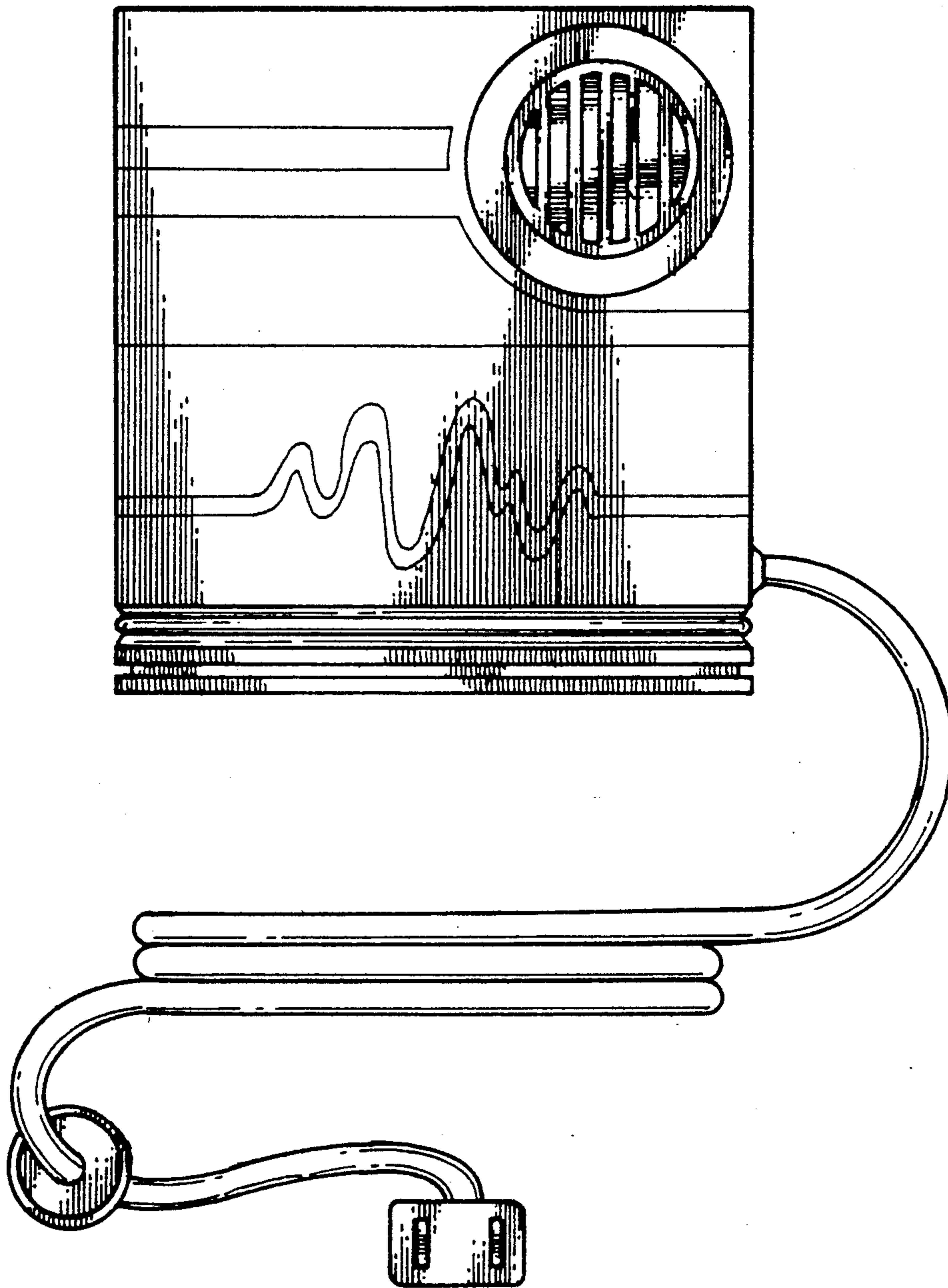


FIG. 4

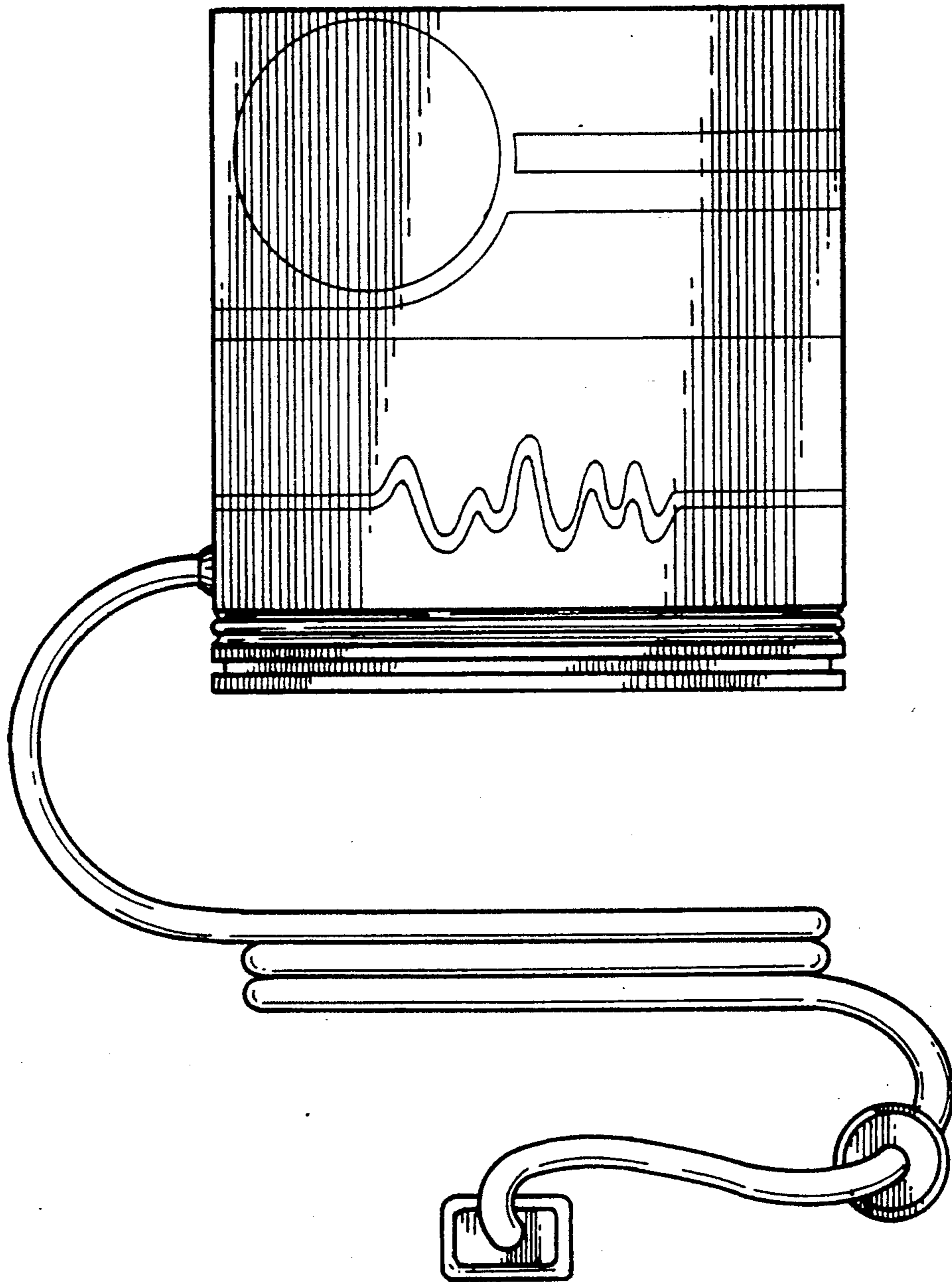


FIG. 5

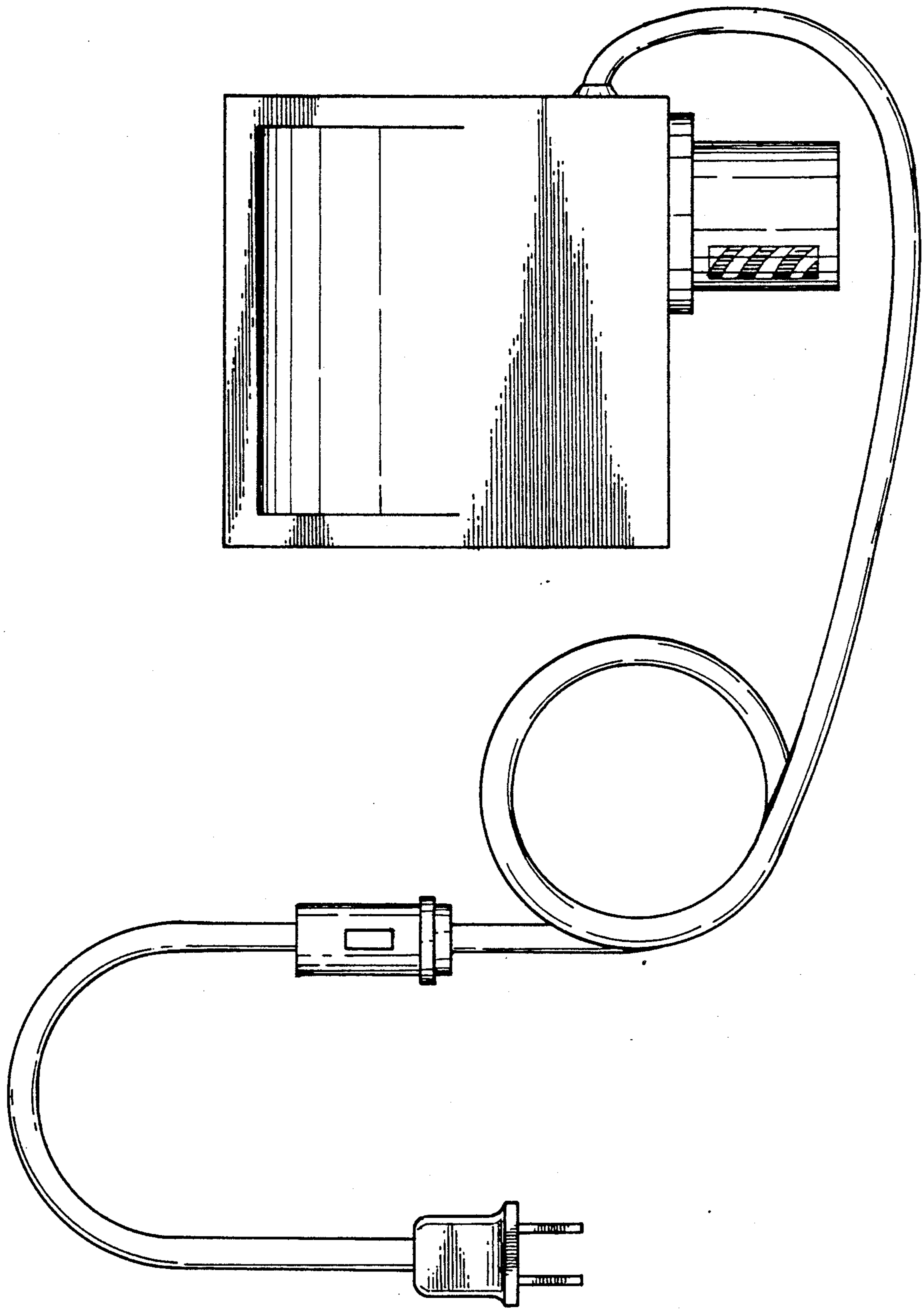


FIG. 6

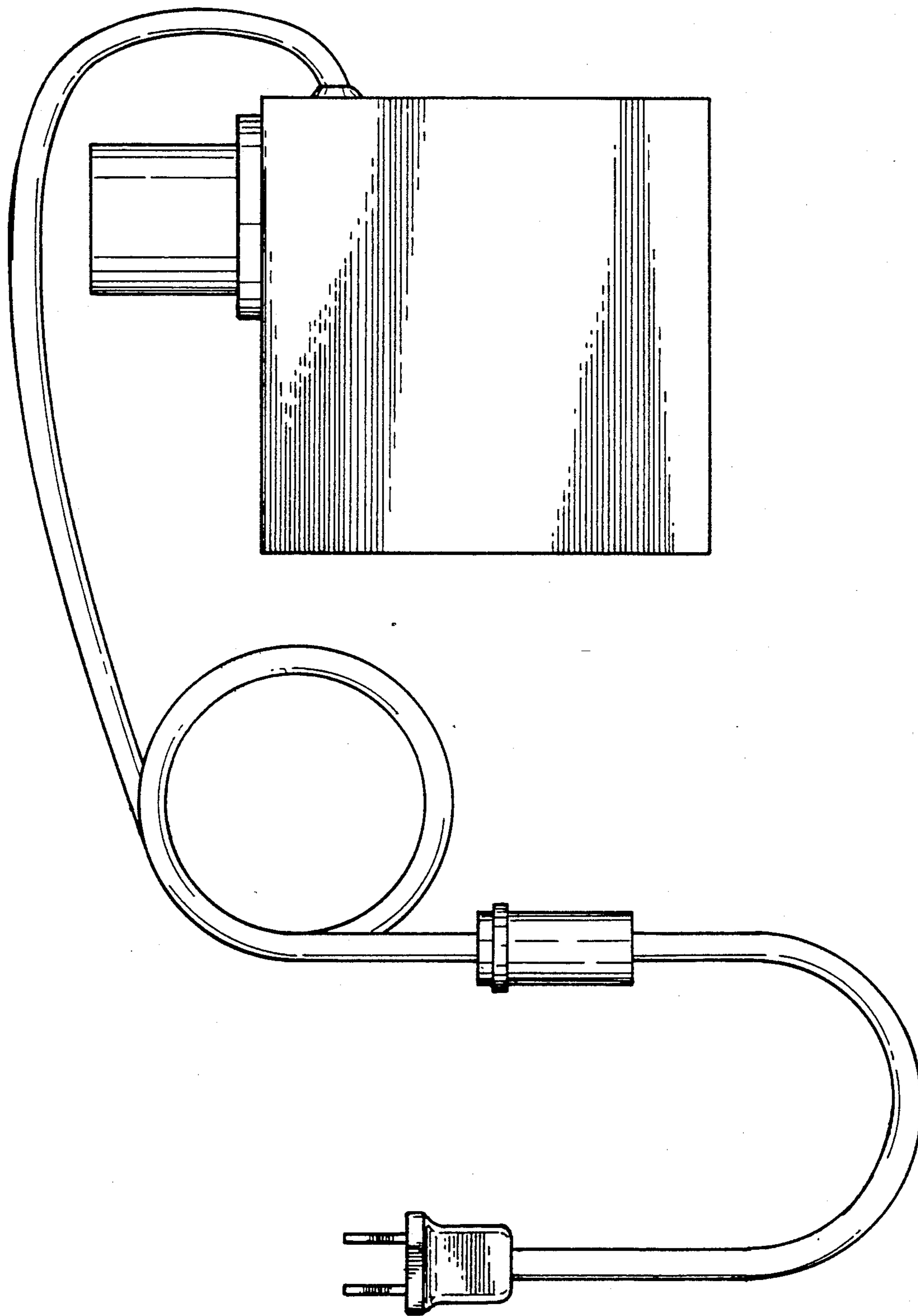


FIG. 7