



US00D327960S

United States Patent [19]

[11] Patent Number: Des. 327,960

Uke

[45] Date of Patent: ** Jul. 14, 1992

[54] SNORKEL STRAP

[76] Inventor: Alan K. Uke, 5980 Rancho Diegueno, P.O. Box 8531, Rancho Santa Fe, Calif. 92067

[**] Term: 14 Years

[21] Appl. No.: 466,726

[22] Filed: Jan. 17, 1990

[52] U.S. Cl. D29/7; D3/100

[58] Field of Search D29/7, 8, 9; 128/201.11; 24/3 R, 16 PB, 17 AP, 453; D3/100, 104, 102, 105

3,502,396	3/1970	Greenberg	24/453
3,603,306	9/1971	Bonin	128/145
4,046,296	9/1977	McGhee	24/3 R
4,526,756	7/1985	Wong	442/104
4,907,582	3/1990	Meyerrose	128/201.11

FOREIGN PATENT DOCUMENTS

212610 8/1956 Australia

Primary Examiner—Kay H. Chin
Attorney, Agent, or Firm—Brown, Martin Haller & McClain

[57] CLAIM

The ornamental design for a snorkel strap, as shown and described.

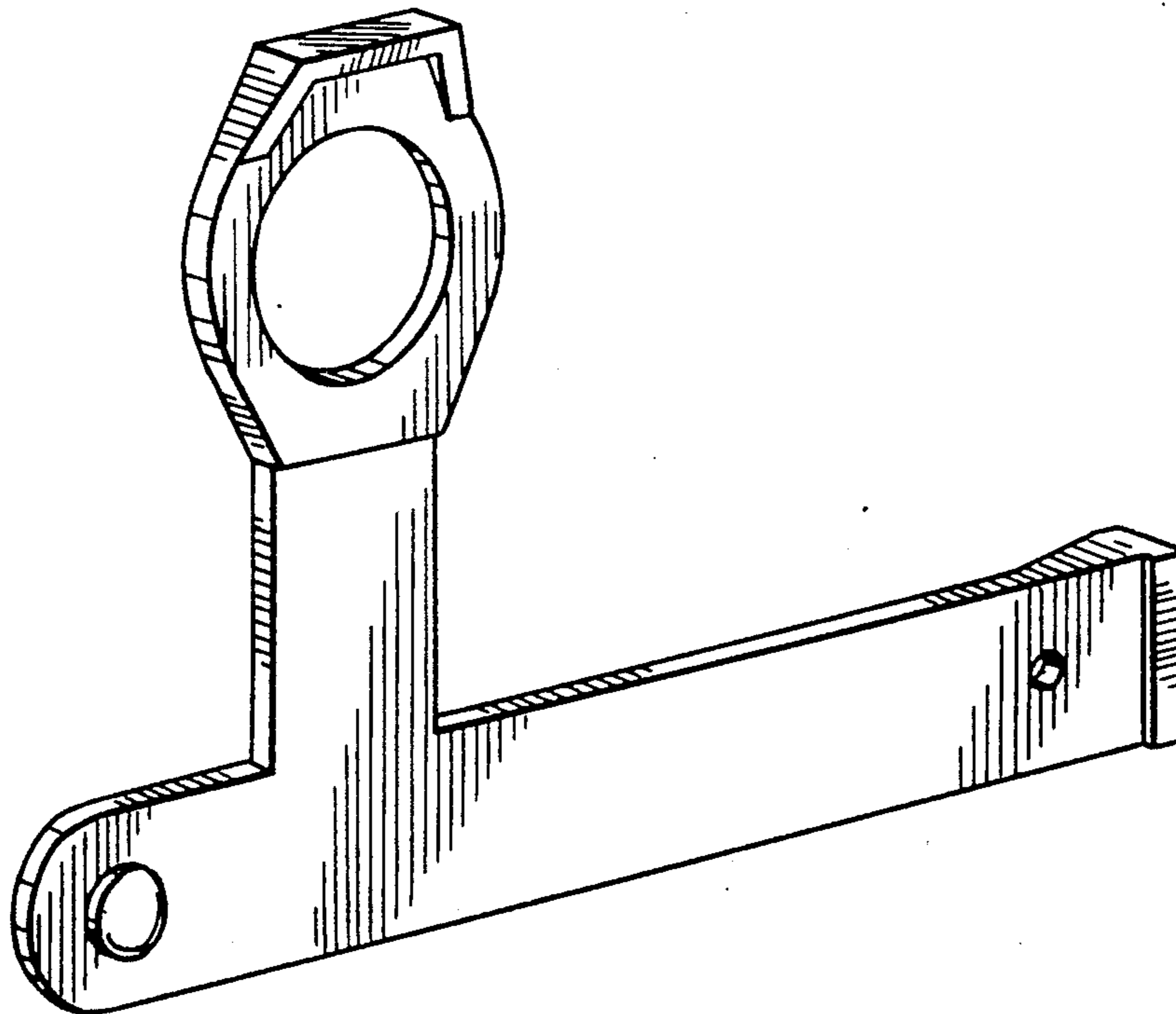
DESCRIPTION

FIG. 1 is a top, front and left side perspective view of a snorkel strap showing my new design;
FIG. 2 is a right side elevational view thereof;
FIG. 3 is a rear elevational view thereof; and,
FIG. 4 is a top plan view thereof.

[56] References Cited

U.S. PATENT DOCUMENTS

2,936,980	10/1954	Rapata	248/74
3,059,359	10/1962	Goldammer et al.	24/16 PB
3,157,421	11/1964	Nierhaus	292/322
3,233,801	2/1966	Schulengerg	224/4
3,475,716	10/1969	Laig	24/16 PB



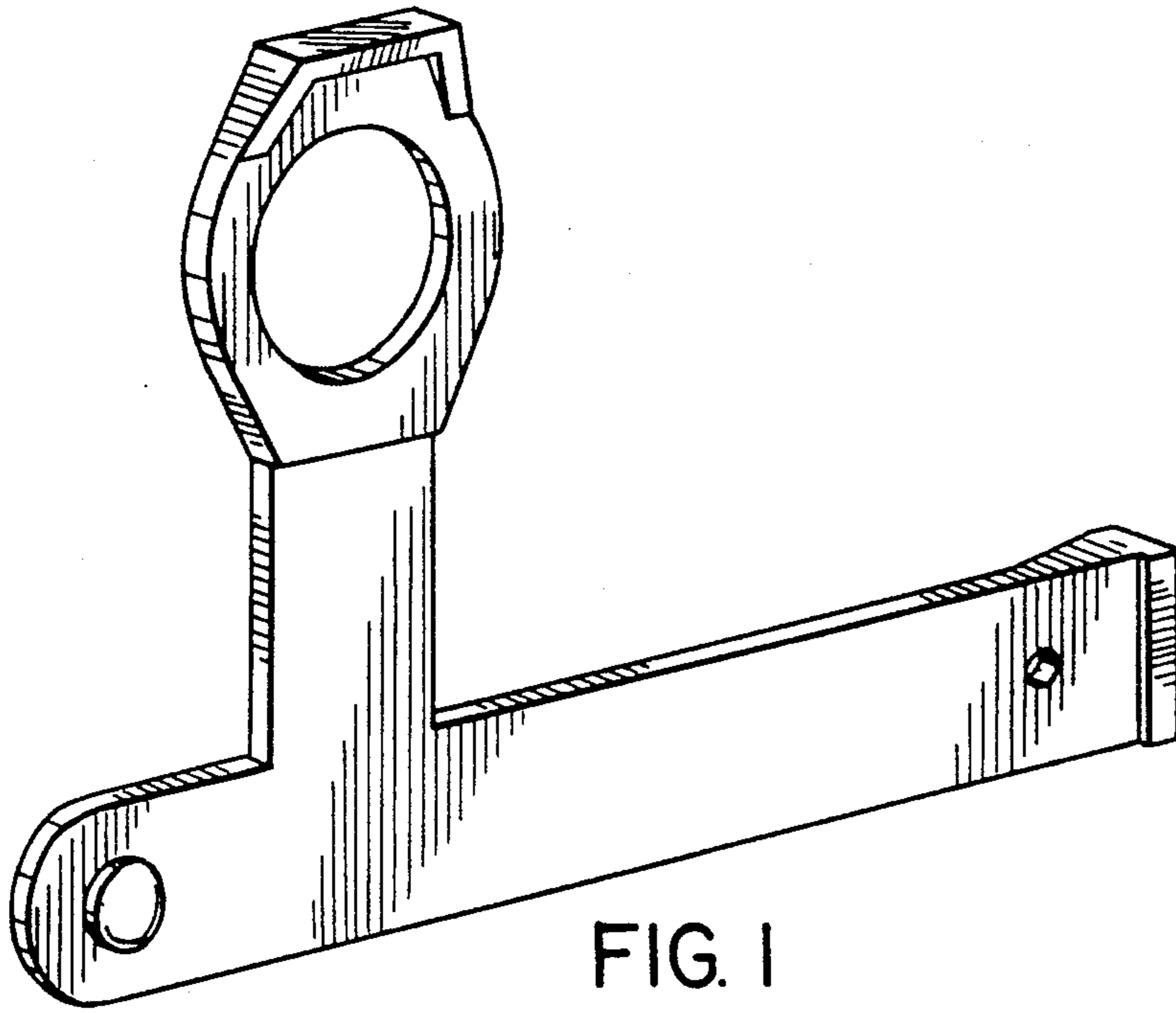


FIG. 1

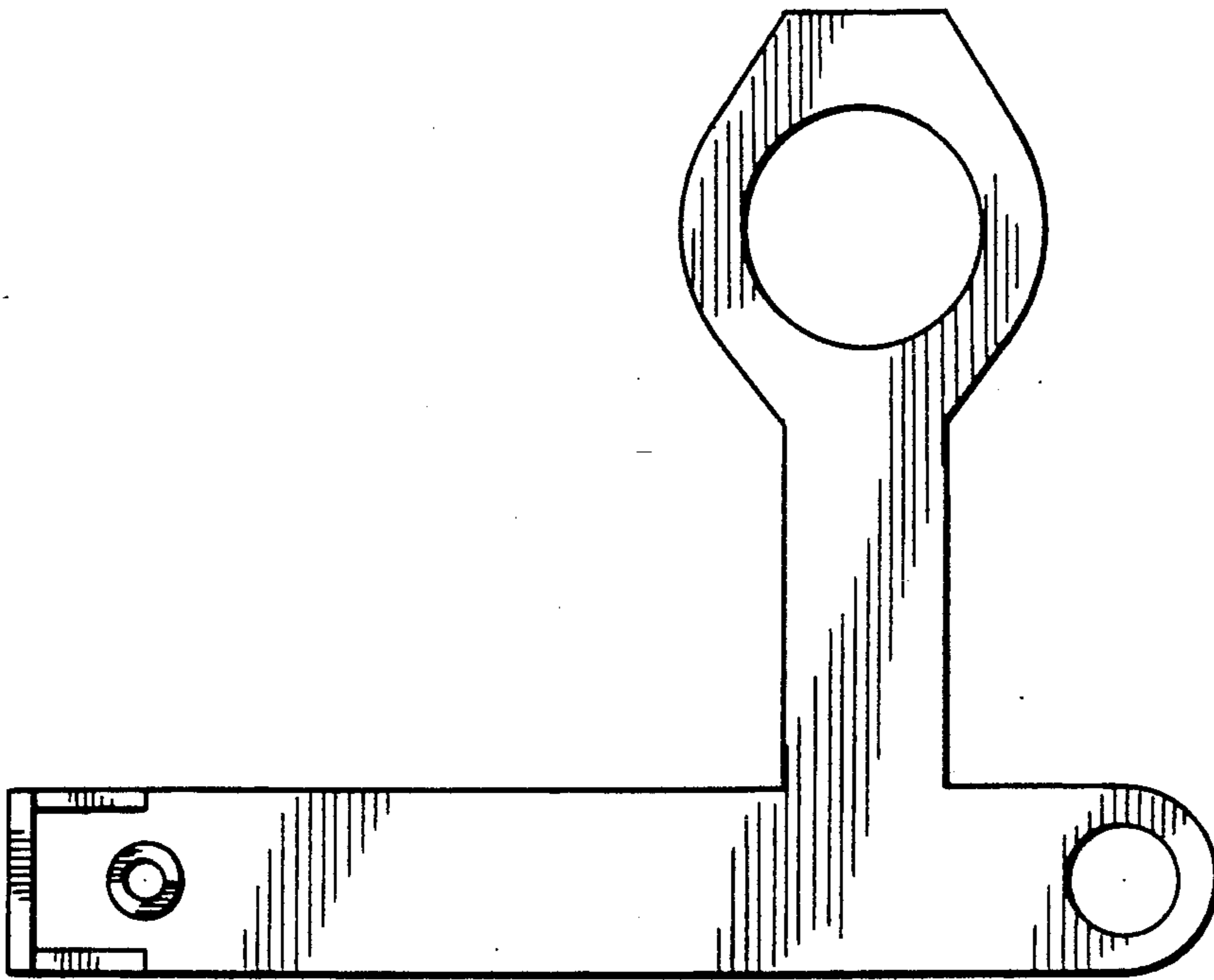


FIG. 2

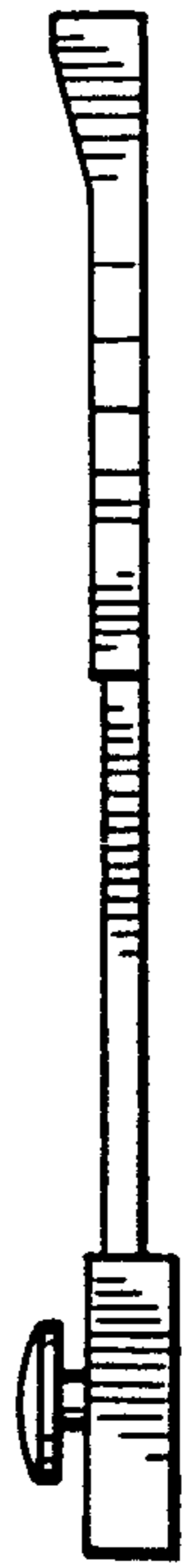


FIG. 3

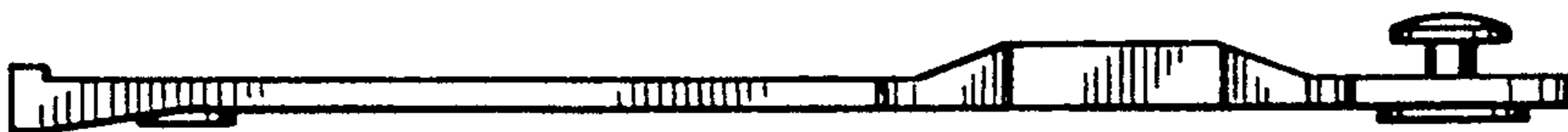


FIG. 4