



US00D327956S

United States Patent [19] Dieperink

[11] Patent Number: **Des. 327,956**

[45] Date of Patent: **** Jul. 14, 1992**

[54] **LUMINAIRE**

[75] Inventor: **Menno Dieperink, Amsterdam, Netherlands**

[73] Assignee: **U.S. Philips Corporation, New York, N.Y.**

[**] Term: **14 Years**

[21] Appl. No.: **506,647**

[22] Filed: **Apr. 9, 1990**

[30] **Foreign Application Priority Data**

Oct. 30, 1989 [WO] World Int. Prop. O. ... DM/014.914

[52] U.S. Cl. **D26/77**

[58] Field of Search **D26/72-92;**
362/147, 404-408, 432, 362, 217, 222, 223

[56] **References Cited**

U.S. PATENT DOCUMENTS

D. 123,775 12/1940 Dreyfuss **D26/76**

D. 128,478 7/1941 Carter, Jr. **D26/91**

D. 128,961 8/1941 Hrabak **D26/77**
D. 195,529 6/1963 Florence **D26/76**
D. 301,278 5/1989 Hughes et al. **D26/78**

OTHER PUBLICATIONS

Light & Lighting (England), 1-1954, p. ii, Compton Louvre Lighting Fixture.

Primary Examiner—Susan J. Lucas
Attorney, Agent, or Firm—Jack E. Haken

[57] **CLAIM**

The ornamental design for a luminaire, as shown.

DESCRIPTION

FIG. 1 is a top perspective view of a luminaire showing my new design;

FIG. 2 is a front elevational view thereof;

FIG. 3 is a rear elevational view thereof;

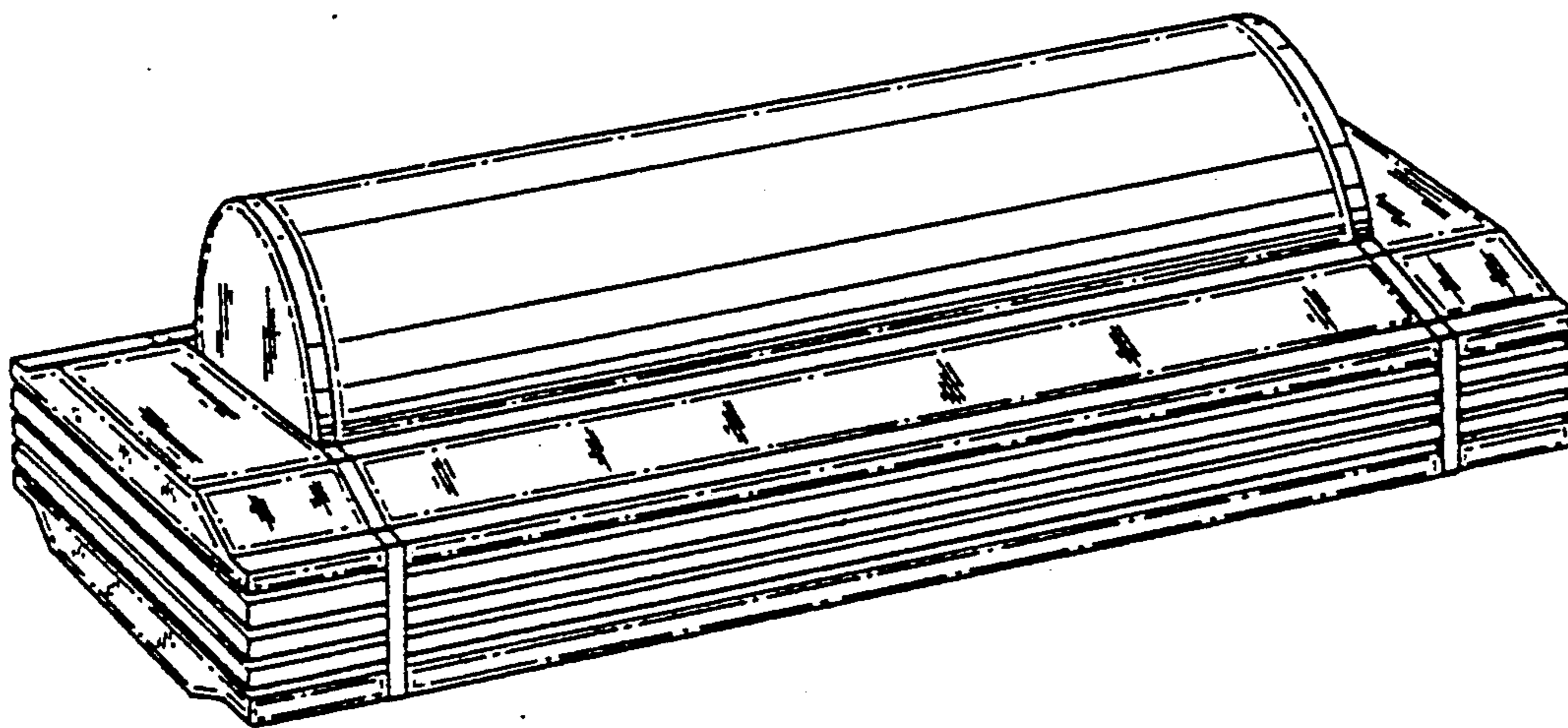
FIG. 4 is a right side elevational view thereof;

FIG. 5 is a left side elevational view thereof;

FIG. 6 is a top plan view thereof;

FIG. 7 is a bottom plan view thereof; and,

FIG. 8 is a bottom perspective view thereof.



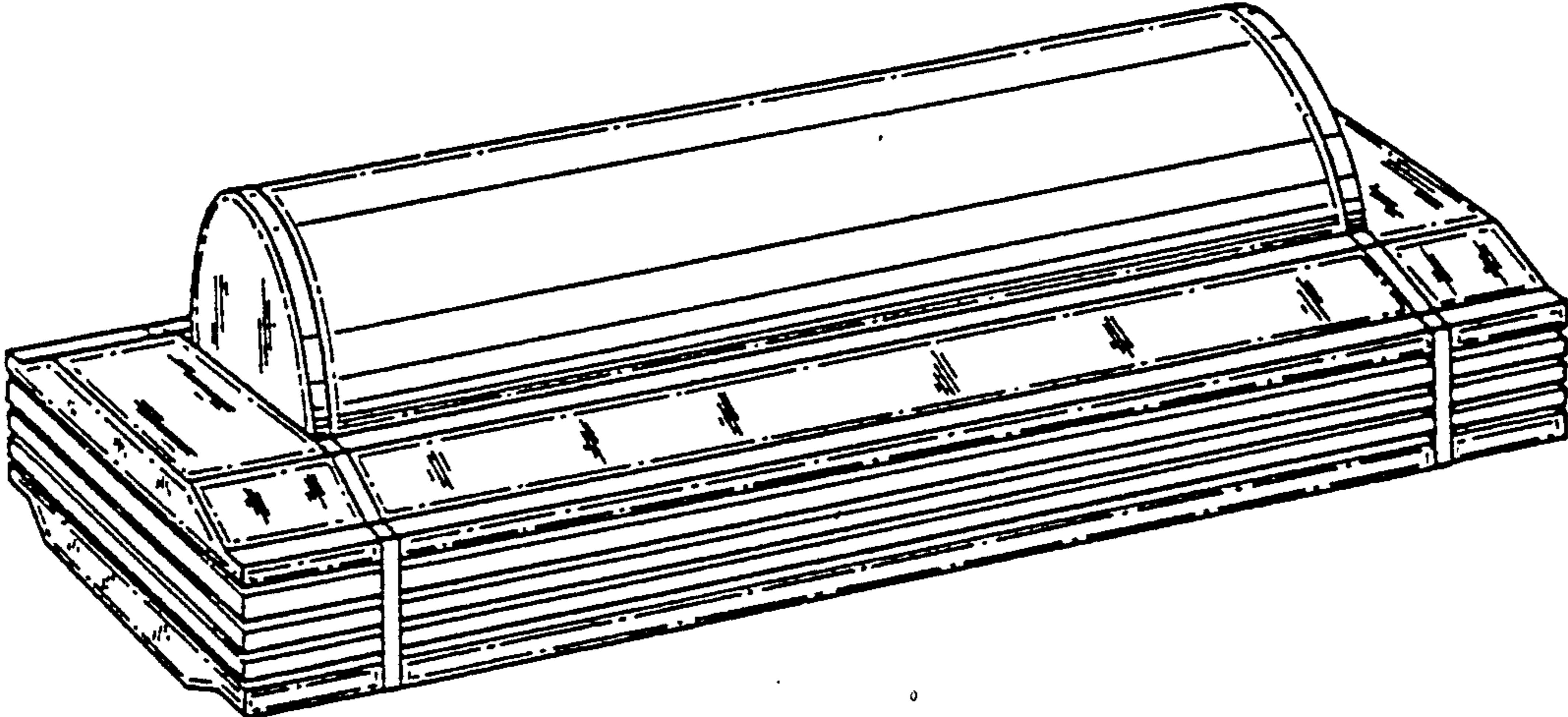


FIG. 1

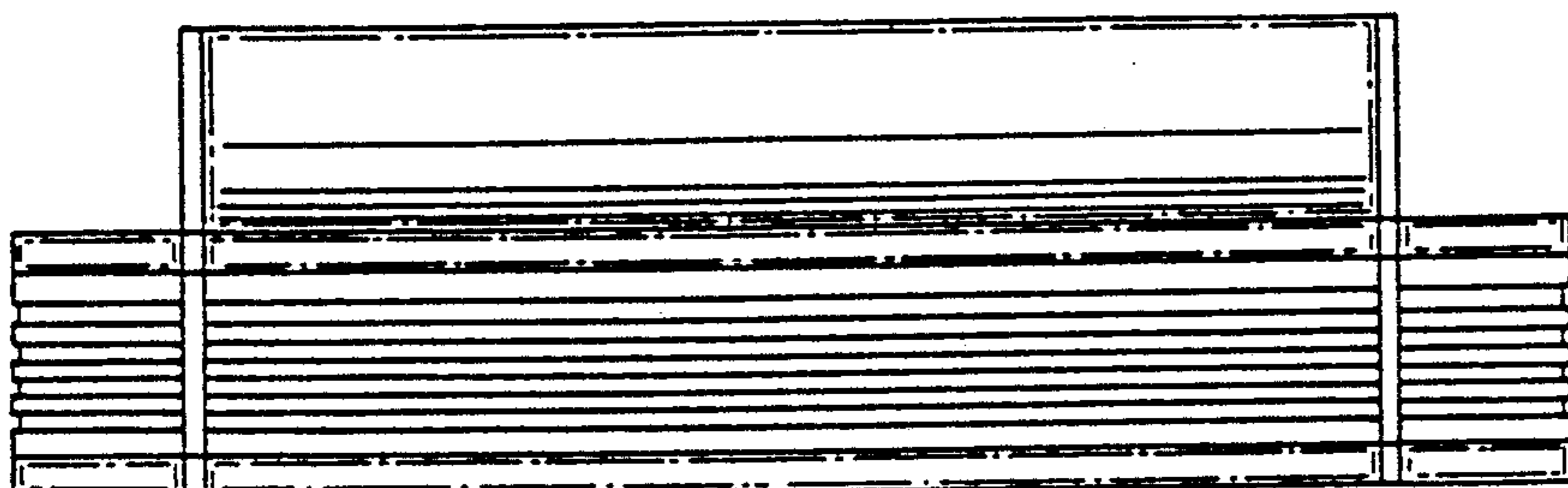


FIG. 2

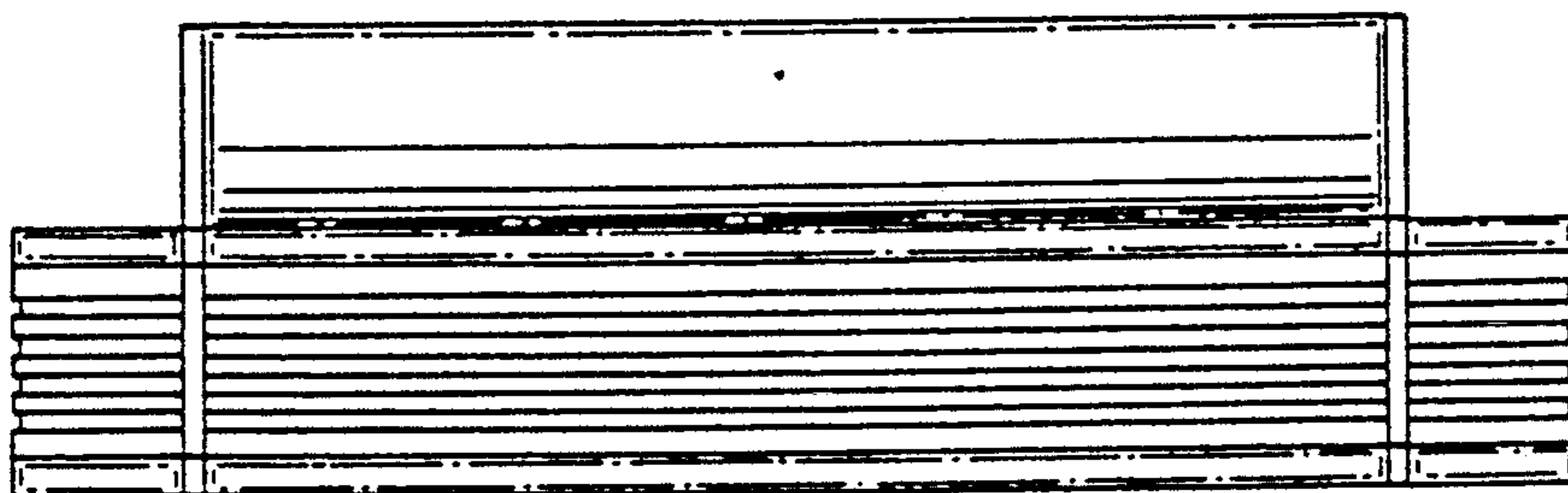


FIG. 3

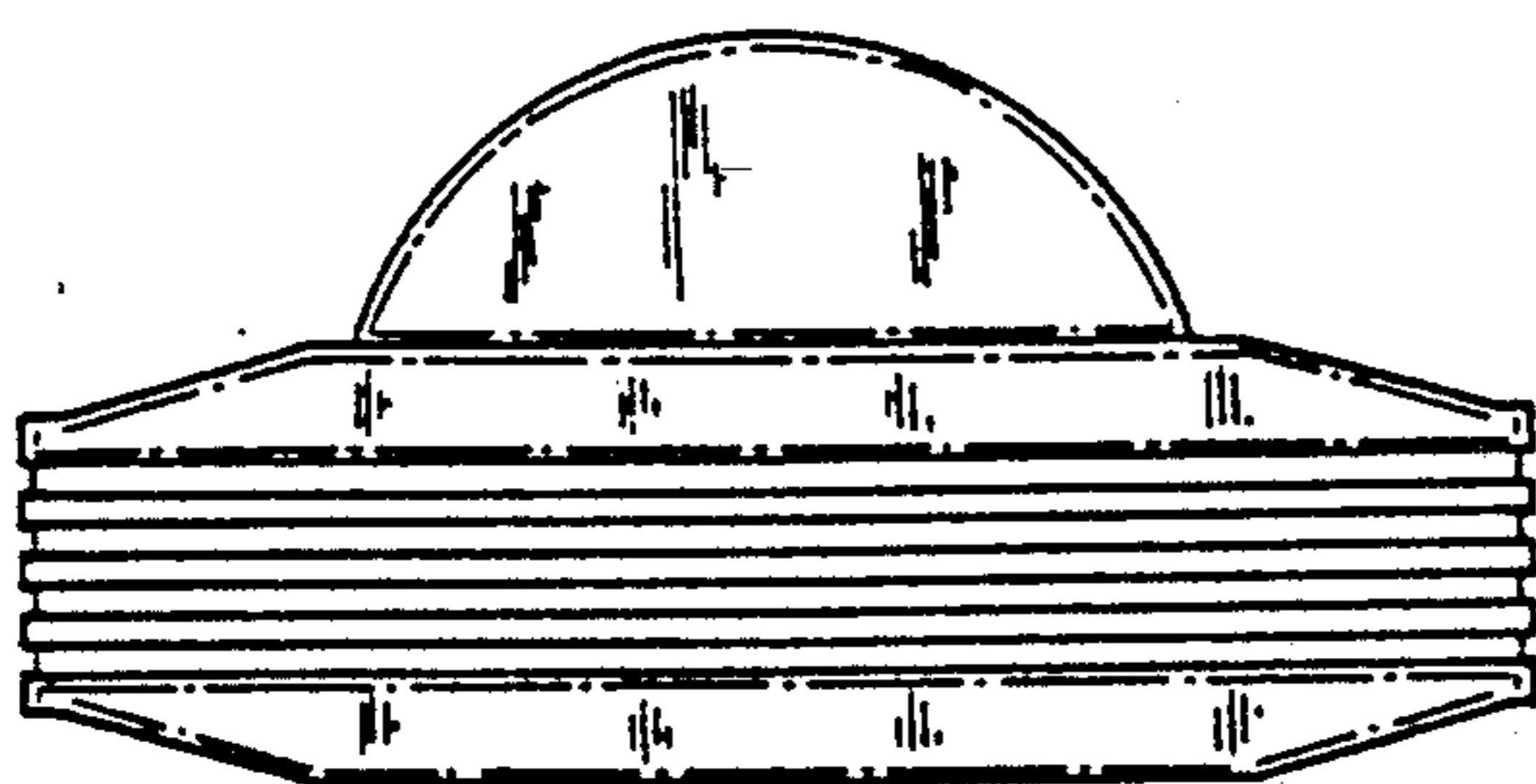


FIG. 4

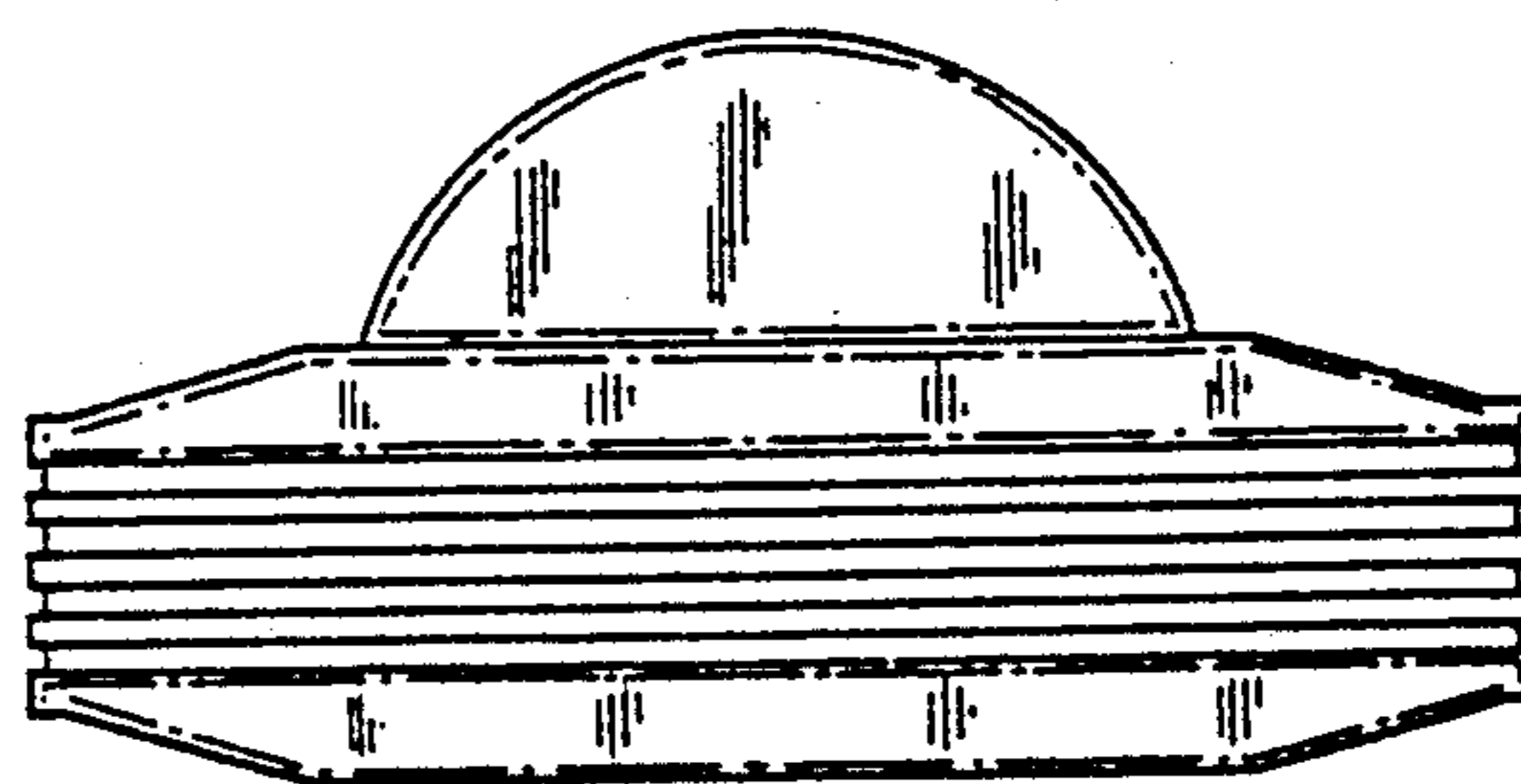


FIG. 5

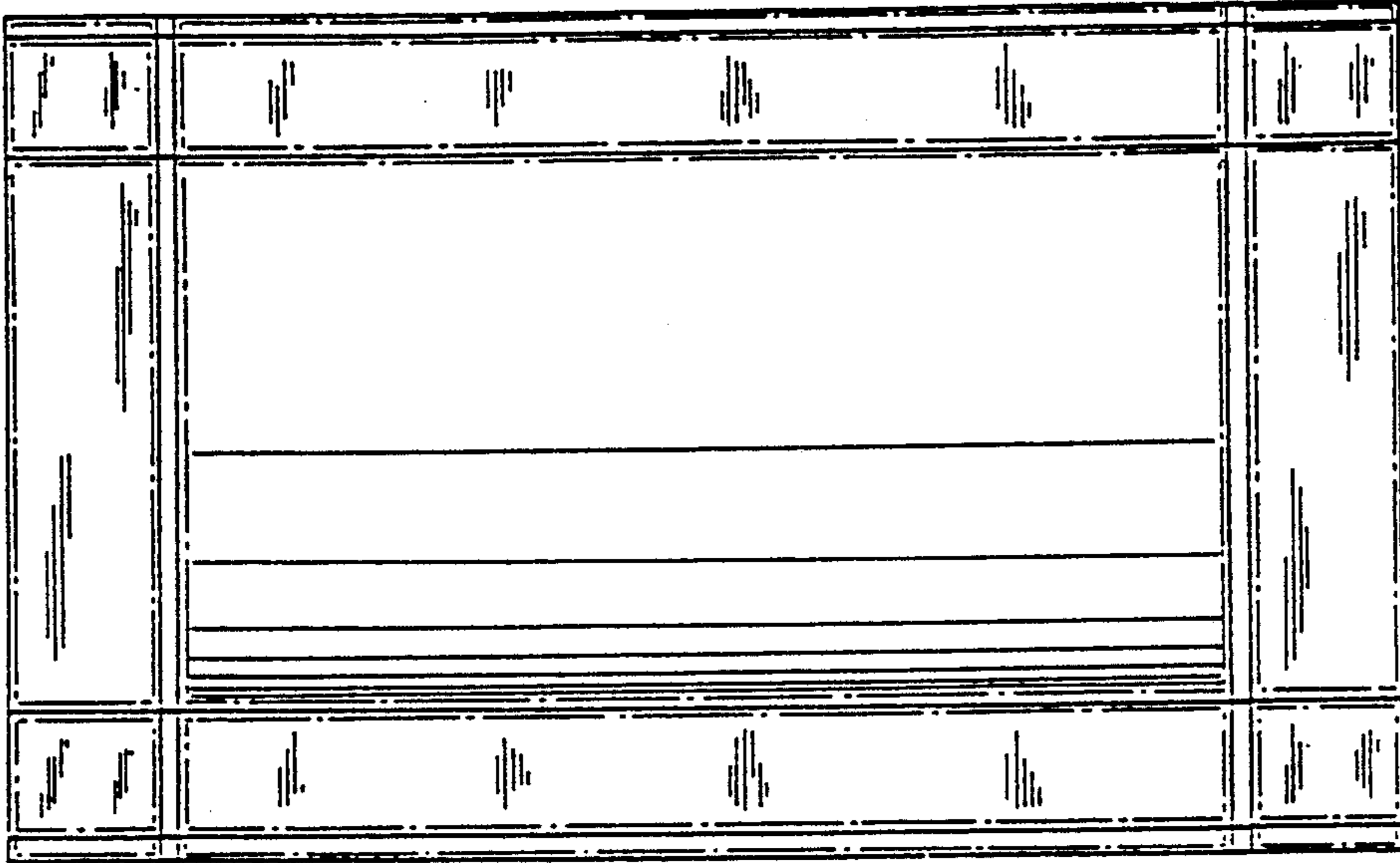


FIG. 6

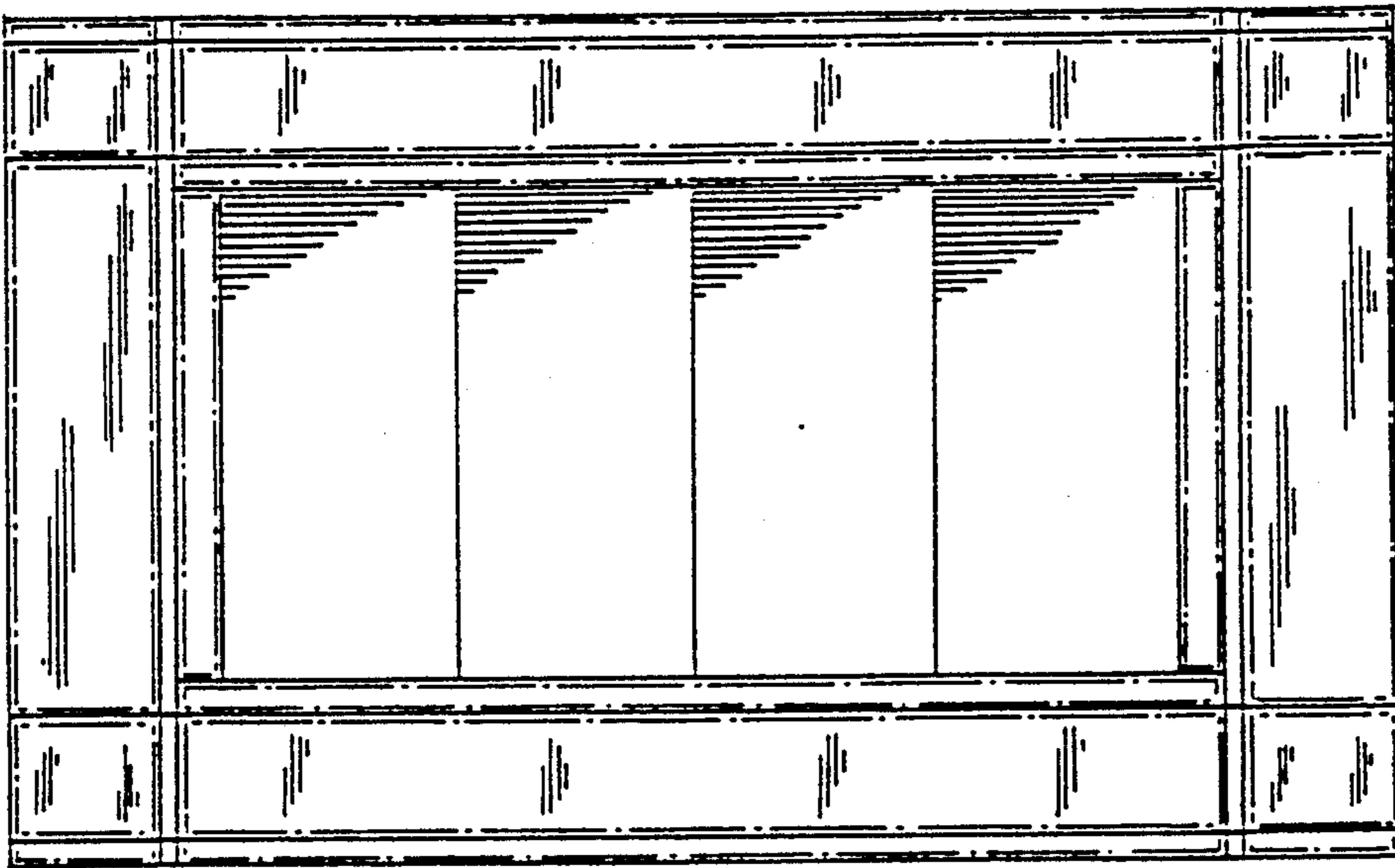


FIG. 7

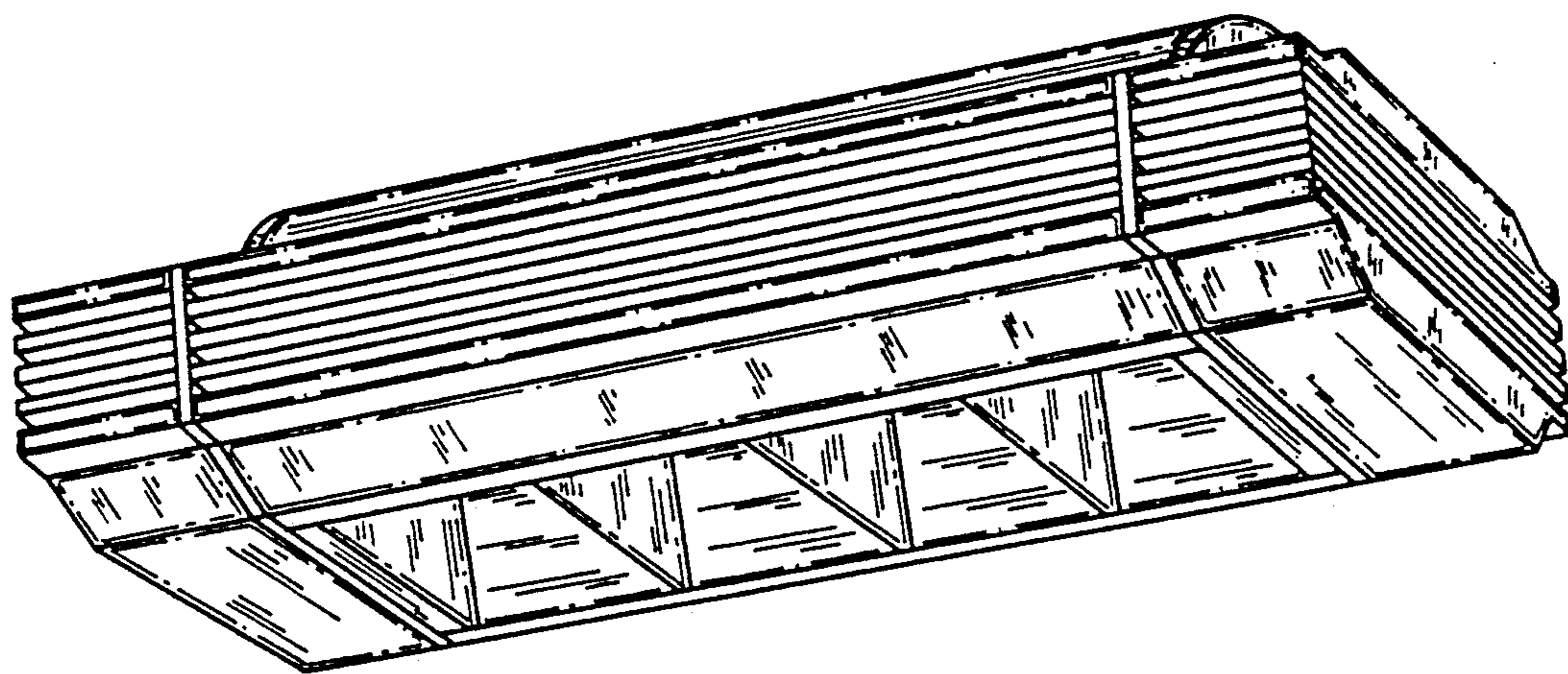


FIG. 8