



US00D327947S

United States Patent [19]
Clark

[11] **Patent Number: Des. 327,947**
[45] **Date of Patent: ** Jul. 14, 1992**

[54] **BARREL FAN**
[75] **Inventor: Howard N. Clark, Dallas, Tex.**
[73] **Assignee: Clark United Corporation, Dallas, Tex.**
[**] **Term: 14 Years**
[21] **Appl. No.: 553,141**
[22] **Filed: Jul. 13, 1990**
[52] **U.S. Cl. D23/382**
[58] **Field of Search D23/370, 371, 382, 411, D23/412, 413, 379; 416/247 R**

[56] **References Cited**

U.S. PATENT DOCUMENTS

D. 151,311 10/1948 Zeiler et al. D23/379
D. 184,469 2/1959 Zeiler et al. D23/382
2,884,075 4/1959 Poon 416/247 R
4,443,965 4/1984 Gie 416/247 R

OTHER PUBLICATIONS

Phil Rich Fan Mfg. Cat., Outside Cabinet Wall Fan, top

left side of page 8, and p. 6, portable blower, top left side of page.
Grainger's Spring '86 Cat., p. 1317, 6-Wing Axial Fan Blades, top left side of page.

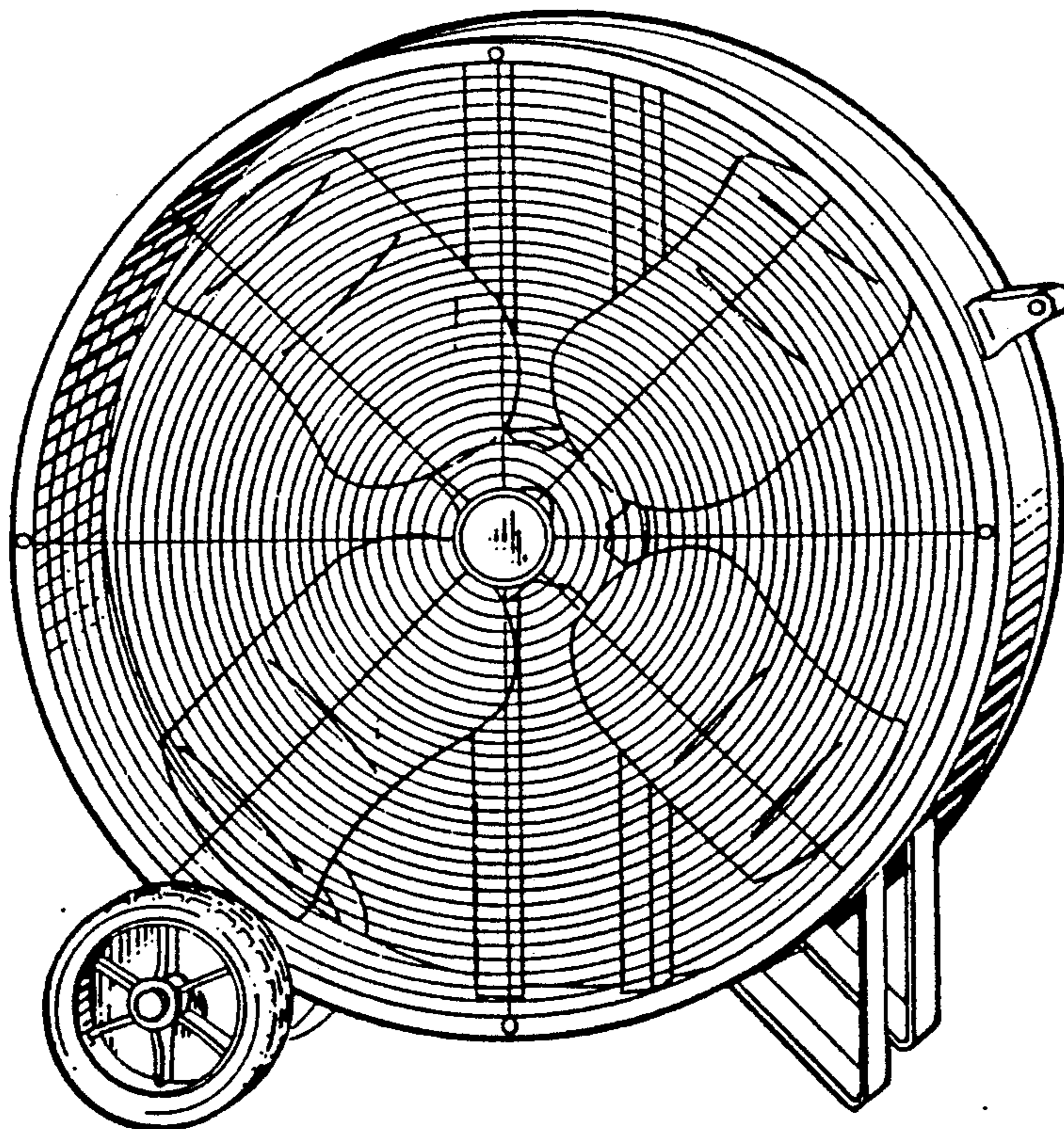
Primary Examiner—James M. Gandy
Assistant Examiner—Lisa Lichtenstein
Attorney, Agent, or Firm—Dennis T. Griggs

[57] **CLAIM**

The ornamental design for a barrel fan, as shown.

DESCRIPTION

FIG. 1 is a front perspective view of a barrel fan showing my new design;
FIG. 2 is a rear elevational view thereof;
FIG. 3 is a front elevational view thereof;
FIG. 4 is a left side elevational view thereof;
FIG. 5 is a right side elevational view thereof;
FIG. 6 is a top plan view thereof; and,
FIG. 7 is a bottom plan view thereof.



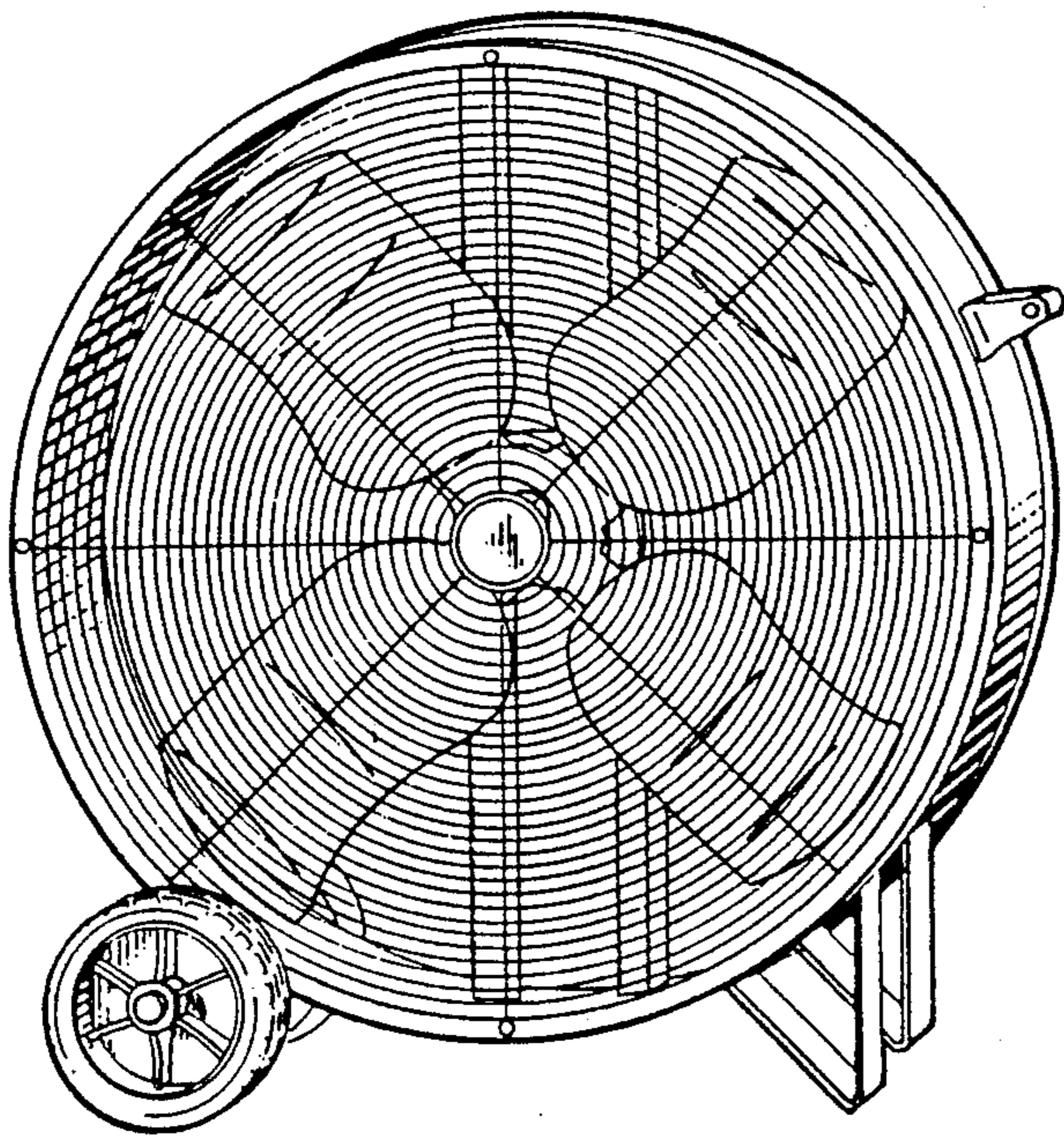


FIG. 1

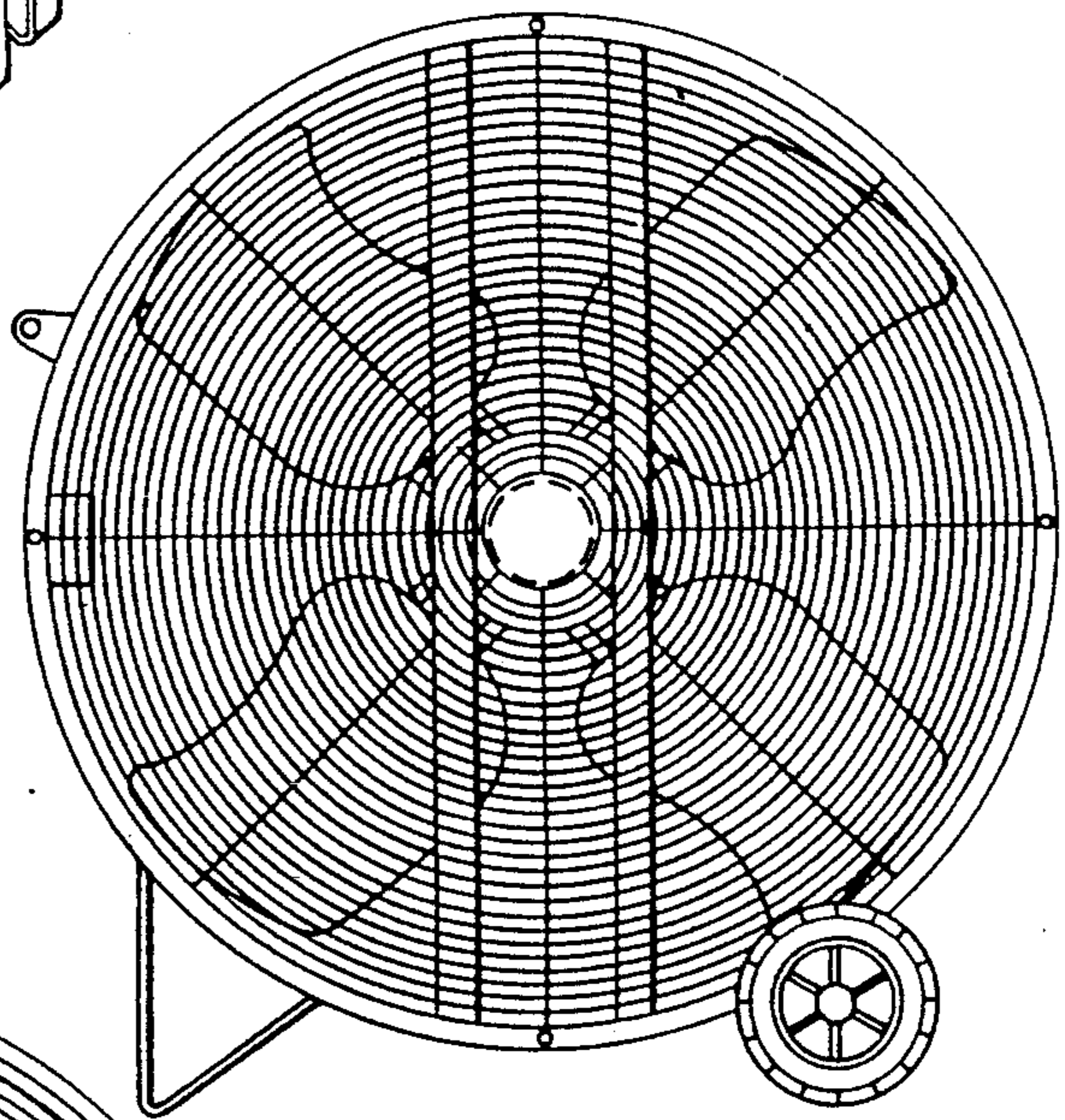


FIG. 2

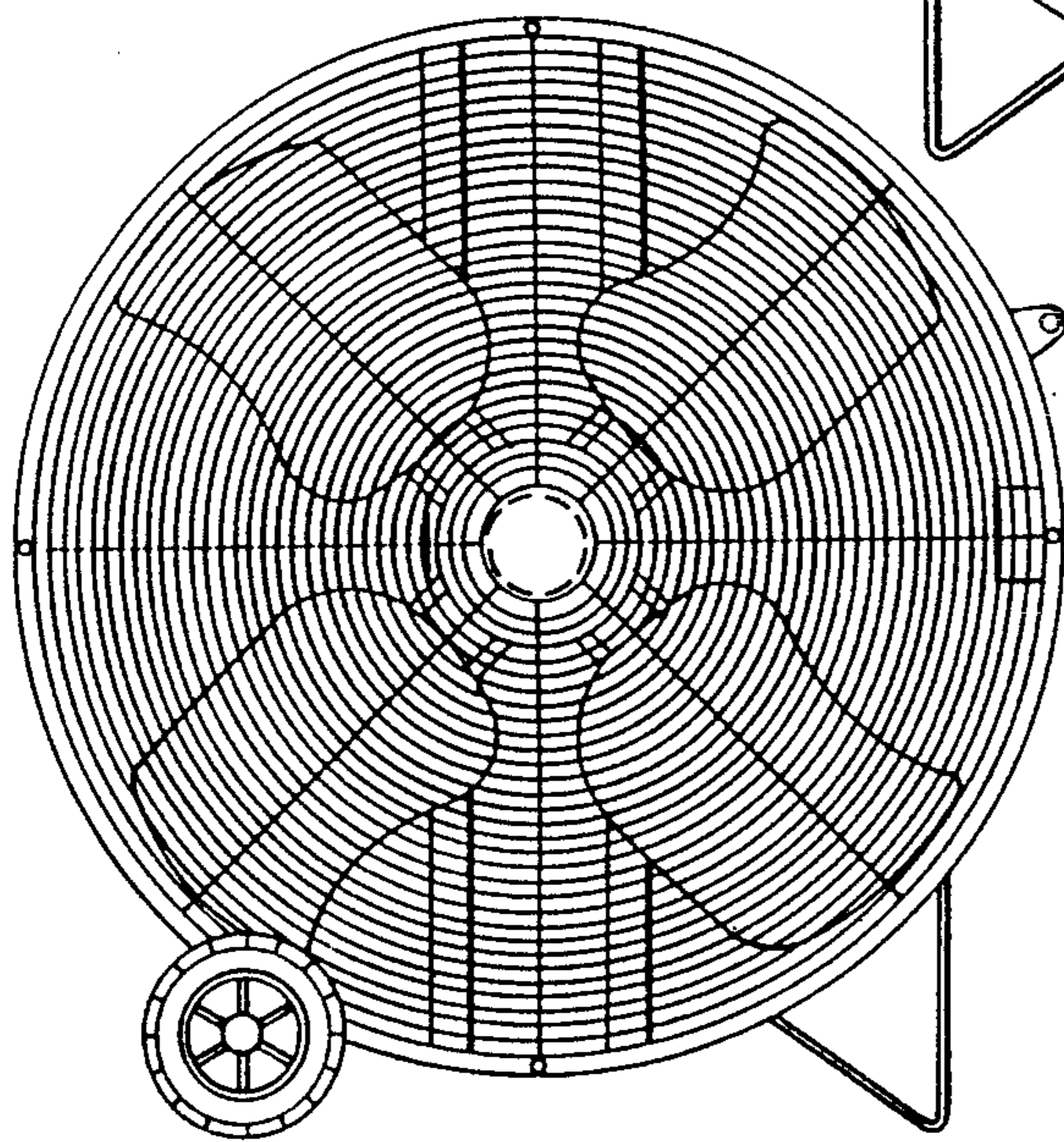


FIG. 3

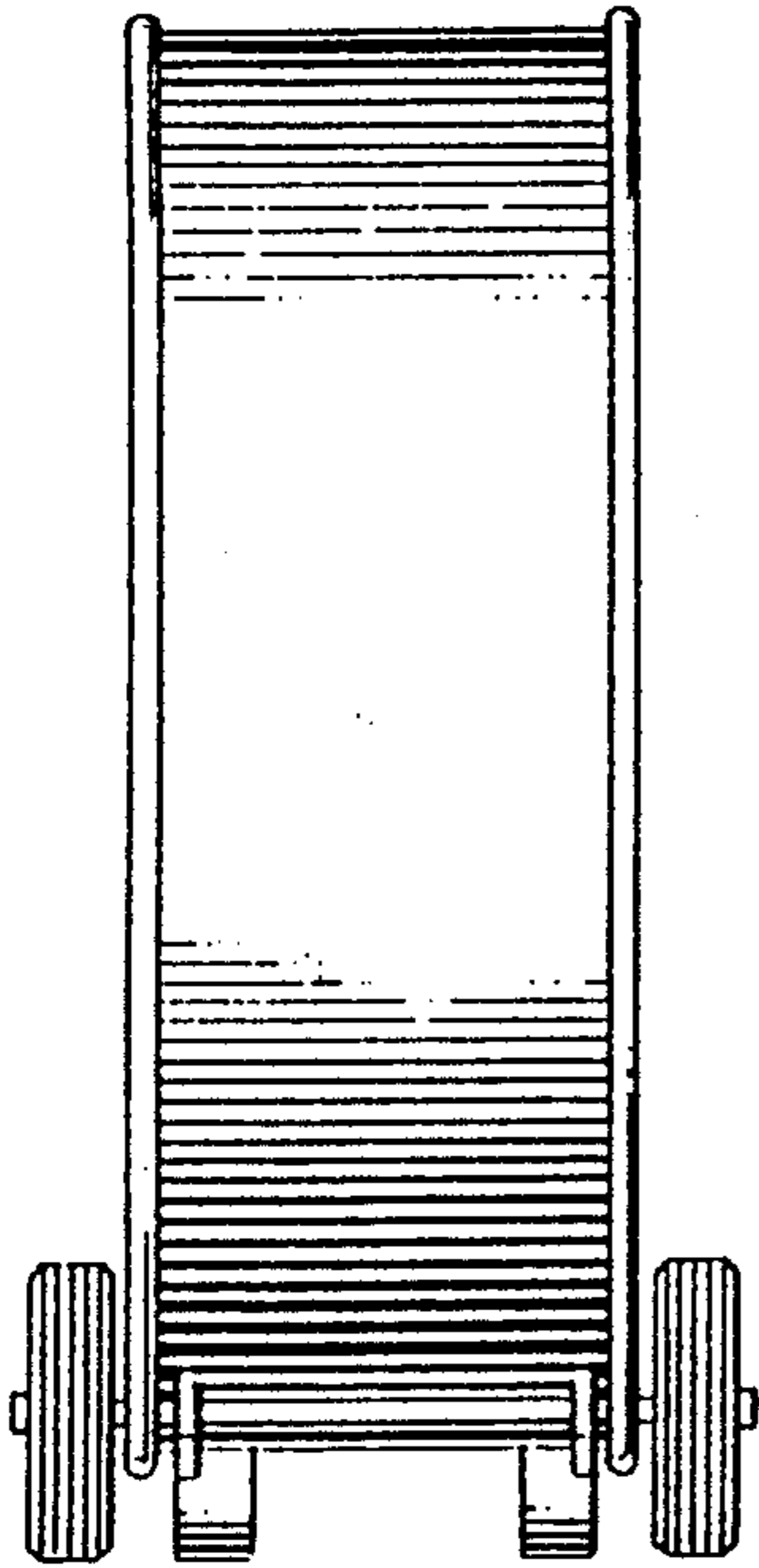


FIG. 4

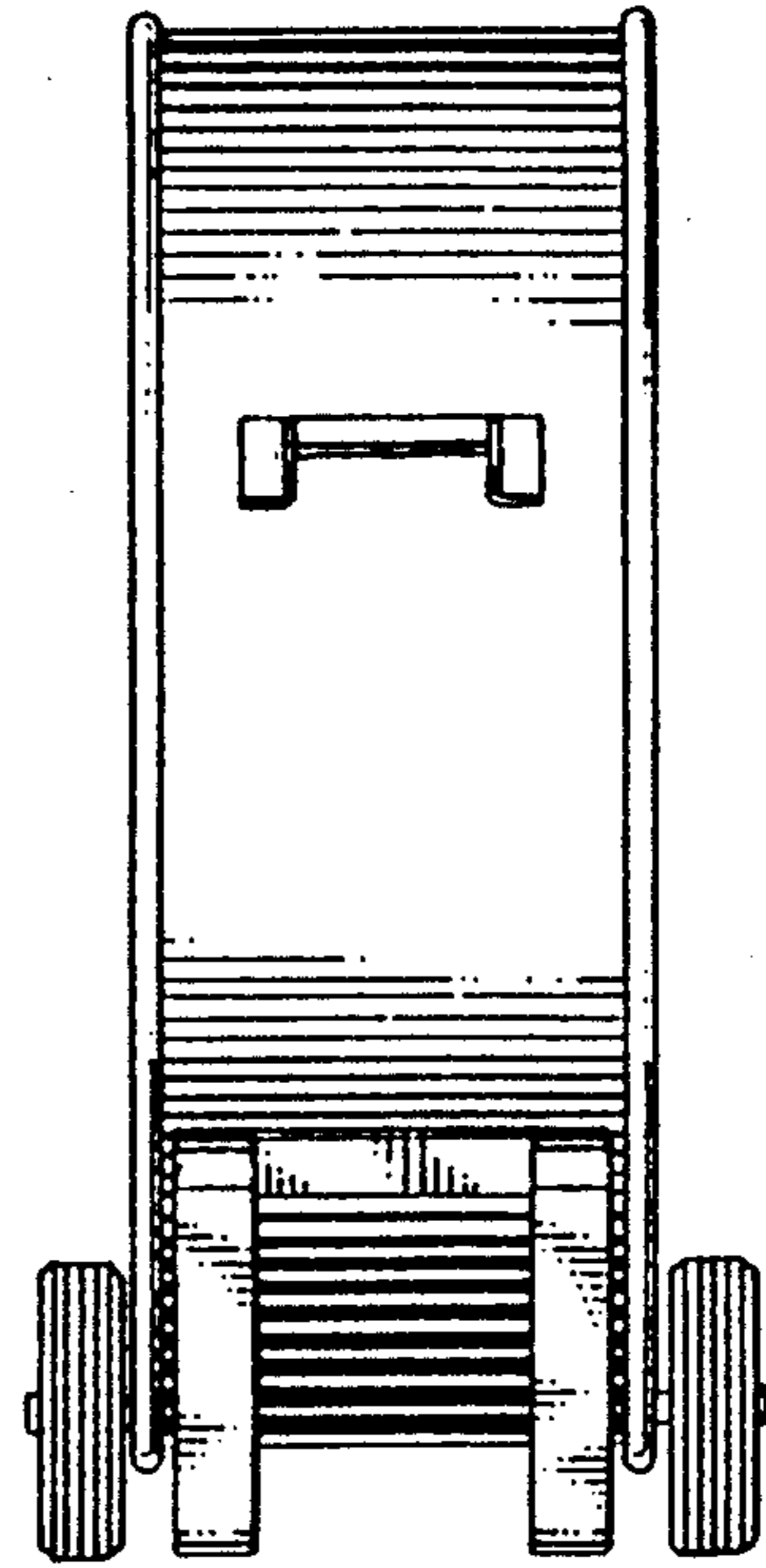


FIG. 5

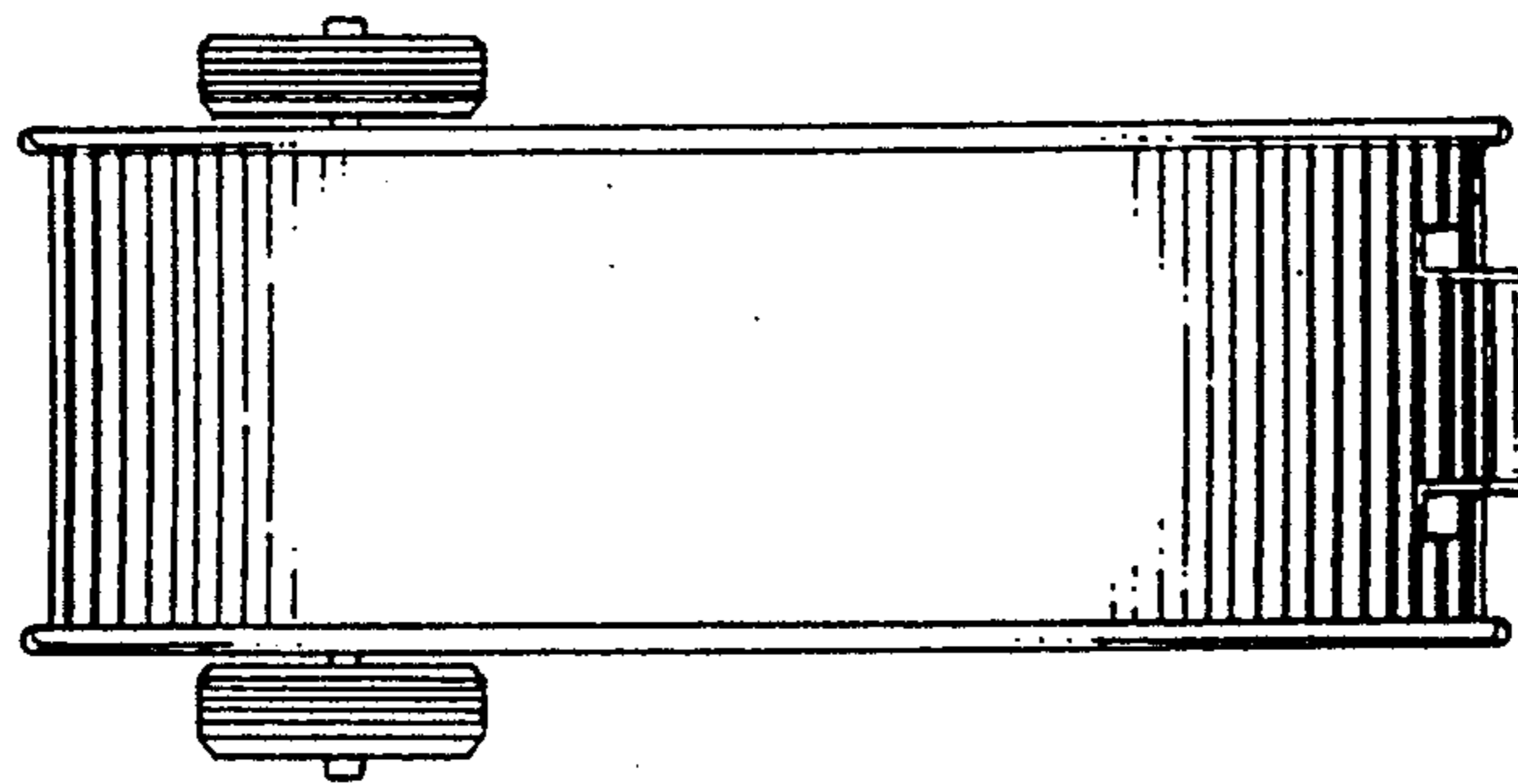


FIG. 6

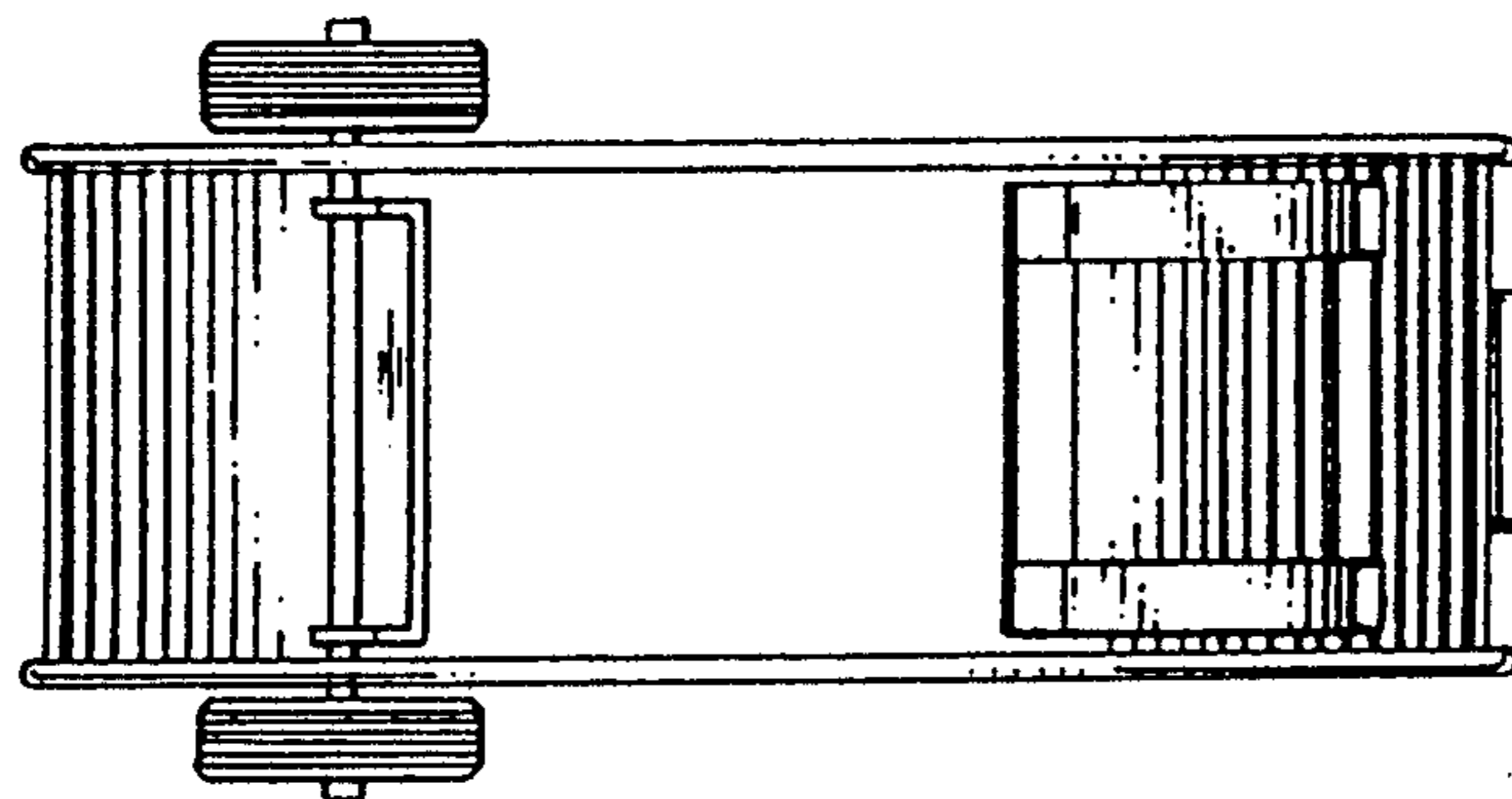


FIG. 7