



US00D327945S

# United States Patent [19]

Chiang

[11] Patent Number: Des. 327,945

[45] Date of Patent: \*\* Jul. 14, 1992

- [54] ELECTRIC FAN FOR AUTOMOBILE OR SIMILAR ARTICLE
- [76] Inventor: Chinfu Chiang, No. 182, Sec. 1, Chin-Hwa Rd., Tainan, Taiwan
- [\*\*] Term: 14 Years
- [21] Appl. No.: 760,210
- [22] Filed: Sep. 16, 1991
- [52] U.S. Cl. .... D23/324
- [58] Field of Search ..... D23/324, 381, 382, 385, D23/370-375, 411, 413, 377-379; 416/247 R, 246; 415/121.2; 219/202; 392/365-369; 248/674, 126, 176, 183

- [56] **References Cited**
- U.S. PATENT DOCUMENTS**
- D. 315,198 3/1991 Chiang ..... D23/324
- 1,636,358 7/1927 Fairman et al. .... 248/674
- 4,799,858 1/1989 Shin-Chin ..... 416/246

- OTHER PUBLICATIONS**
- J. C. Whitney & Co. Cat. No. 487V, p. 96, Oscillating

Fan A ; Fixed Fan B , top right side of page, Cooling and Defogging Fan C , lower right side of page, Mini-Oscillating Fan D , lower right side of page, and Cat. No. 479J, p. 107, Ventilating/DeFrosting/Cooling Fan, top right side of page.

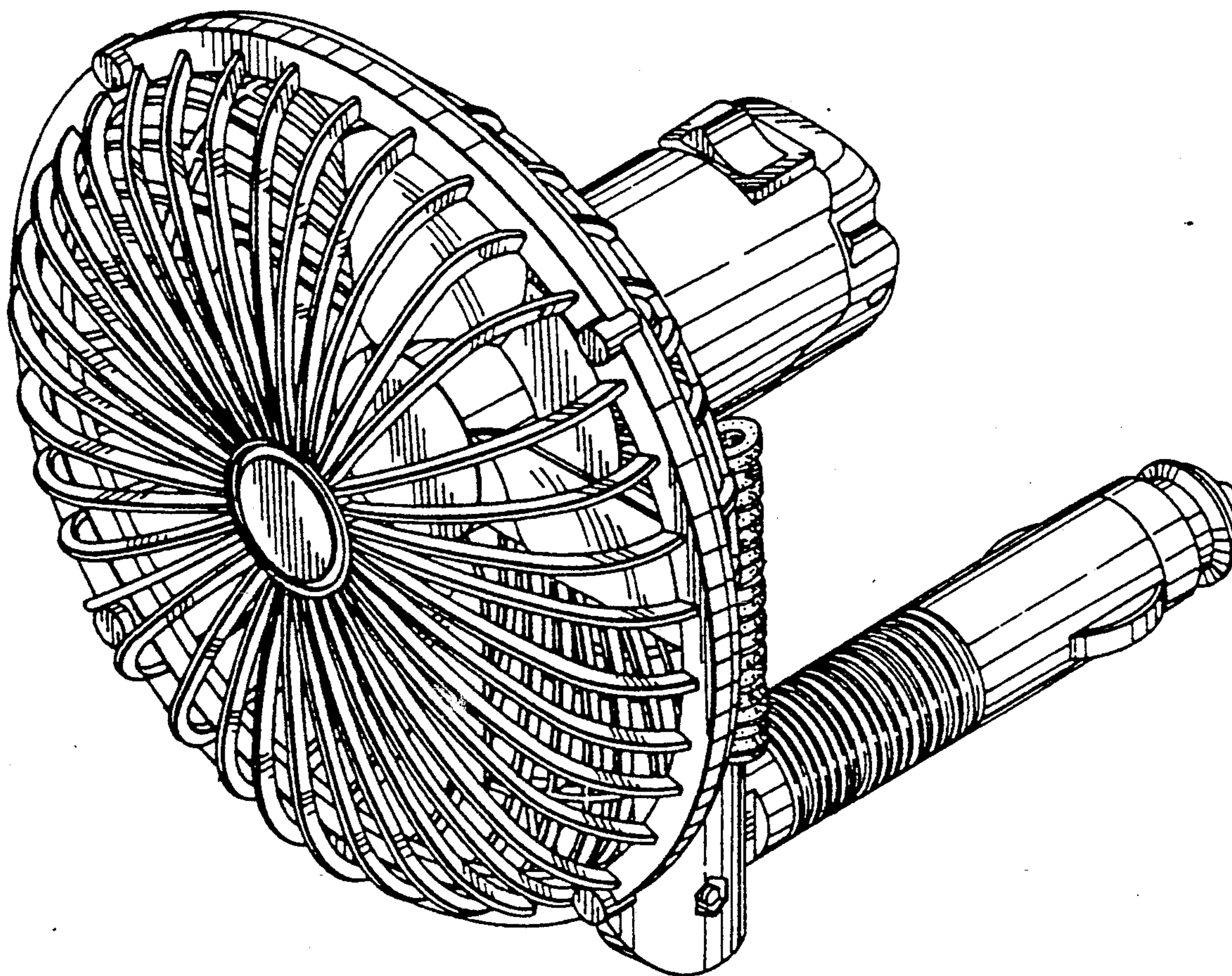
*Primary Examiner*—Wallace R. Burke  
*Assistant Examiner*—Lisa Lichtenstein

### [57] CLAIM

The ornamental design for an electric fan for automobile or similar article, as shown.

### DESCRIPTION

FIG. 1 is a front and right side perspective view of an electric fan for automobile or similar article, showing my new design;  
FIG. 2 is a front elevational view thereof;  
FIG. 3 is a rear elevational view thereof;  
FIG. 4 is a left side elevational view thereof;  
FIG. 5 is a right side elevational view thereof;  
FIG. 6 is a top plan view thereof; and,  
FIG. 7 is a bottom plan view thereof.



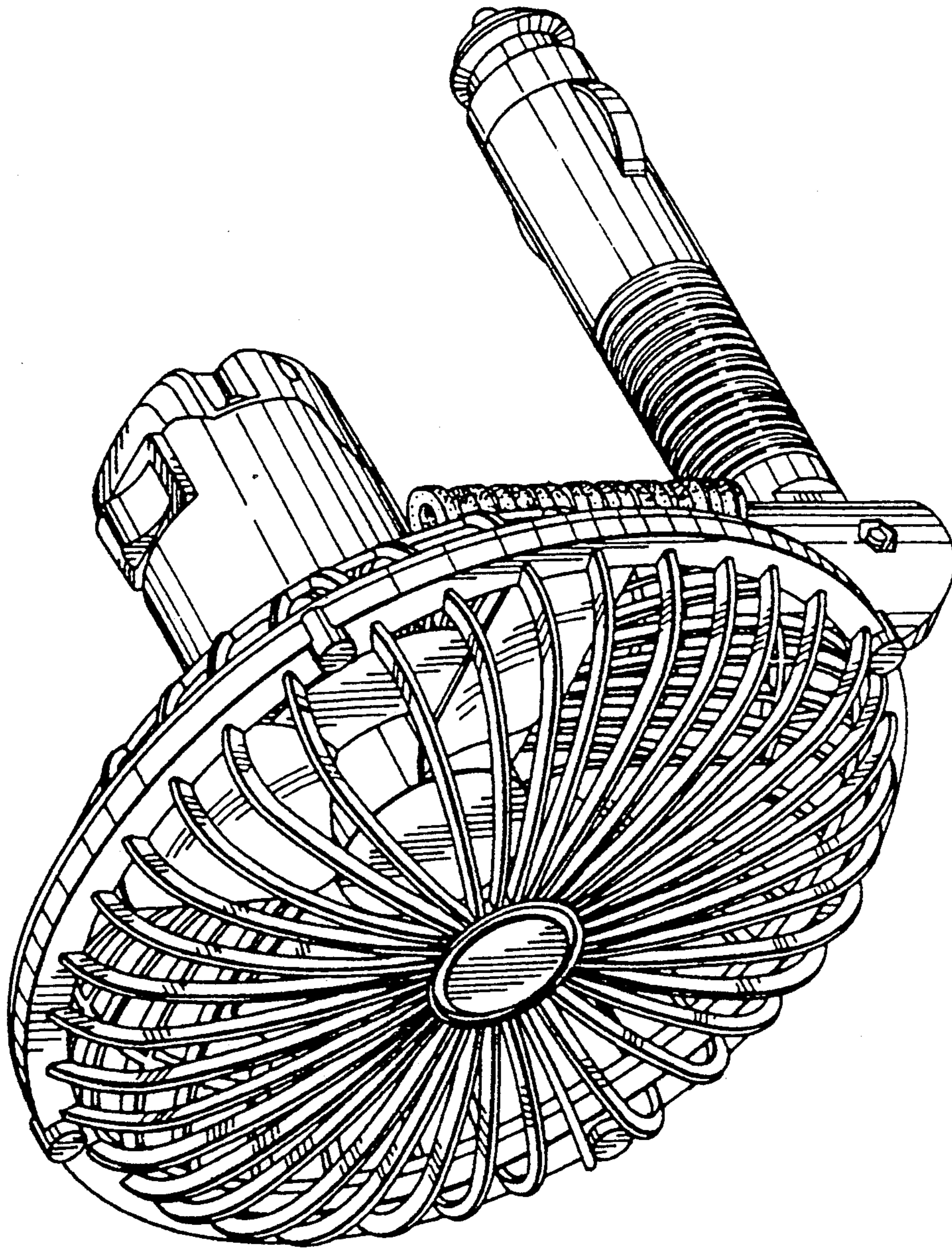


FIG. 1

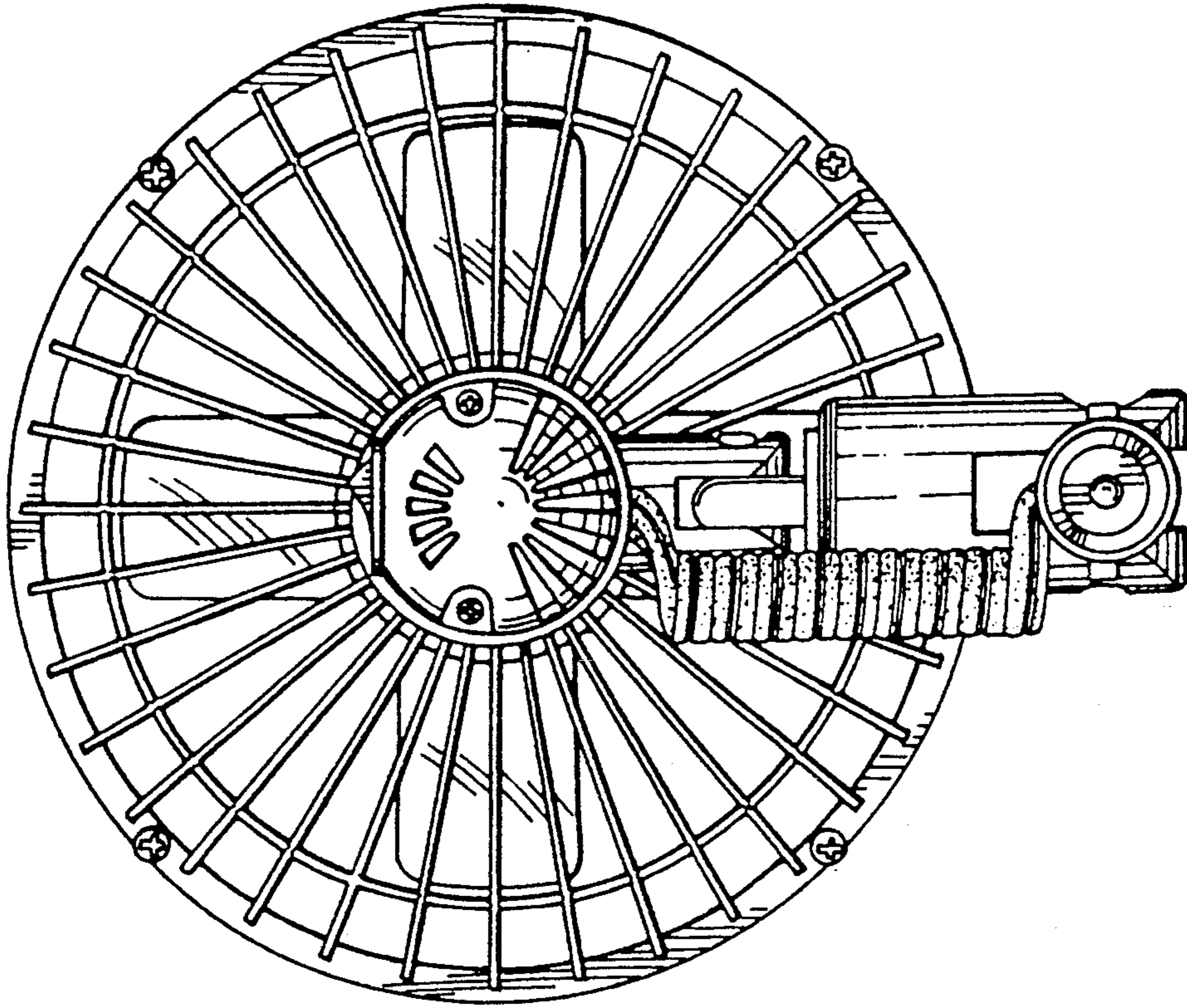


FIG. 3

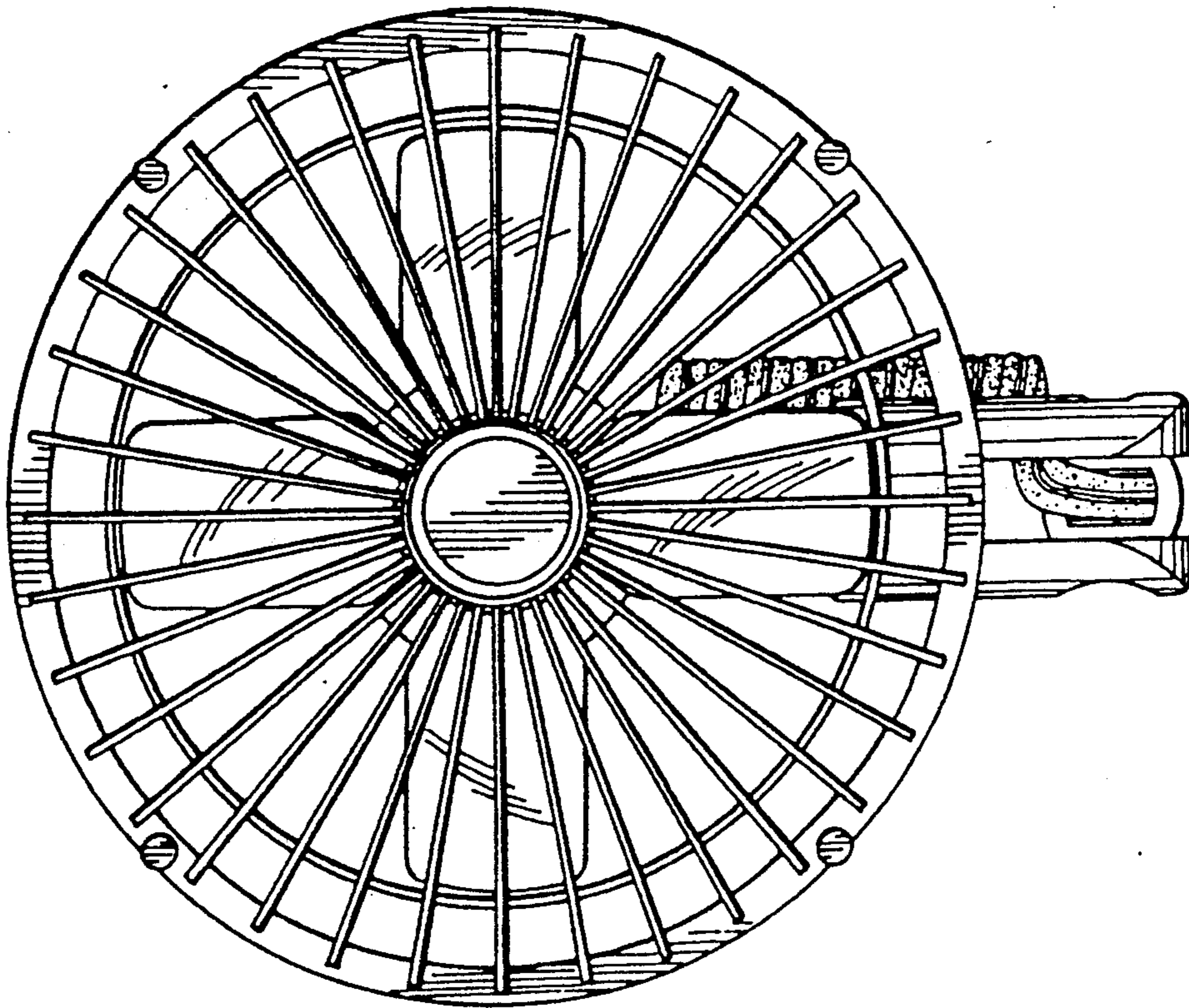


FIG. 2

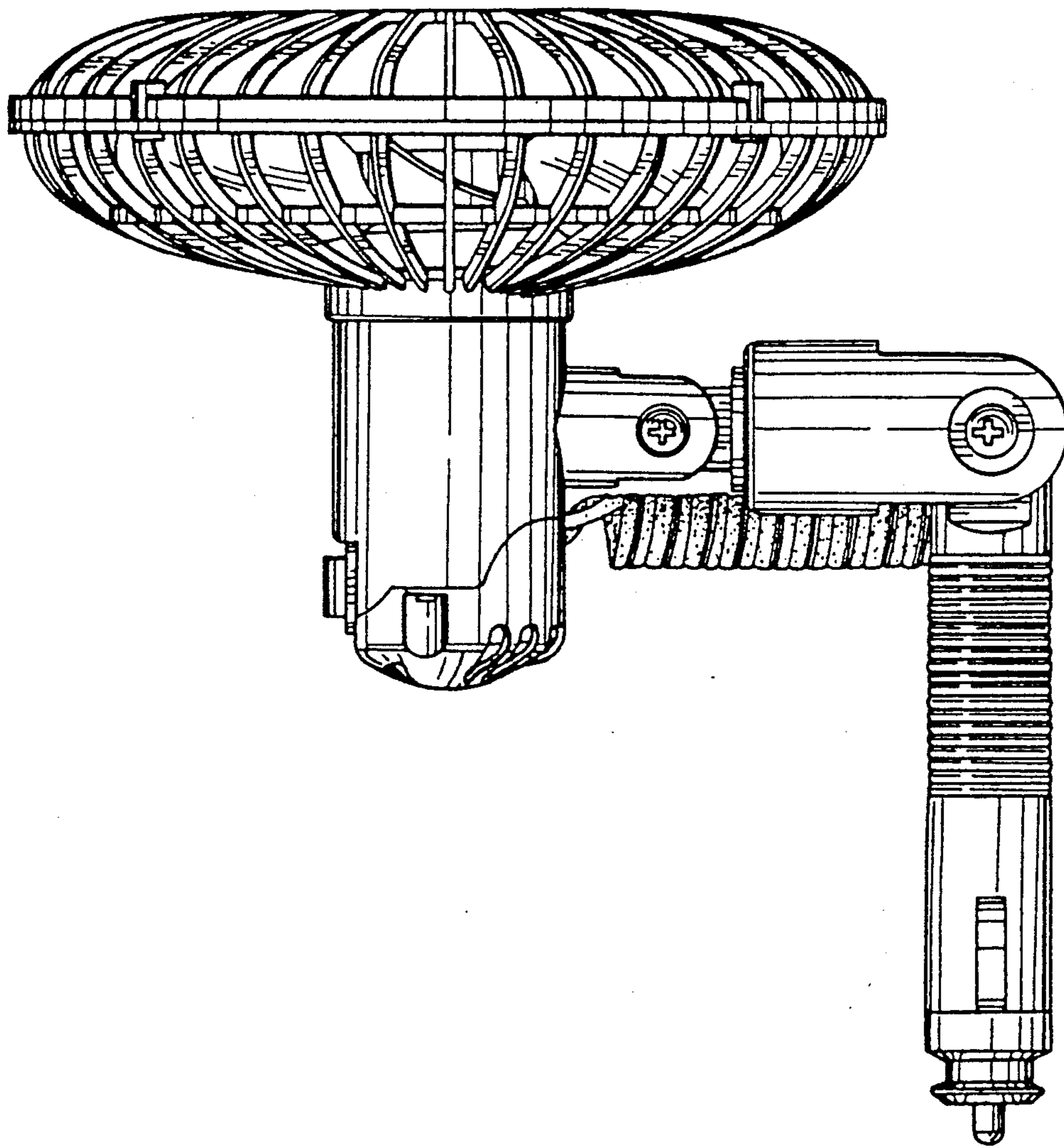


FIG. 4

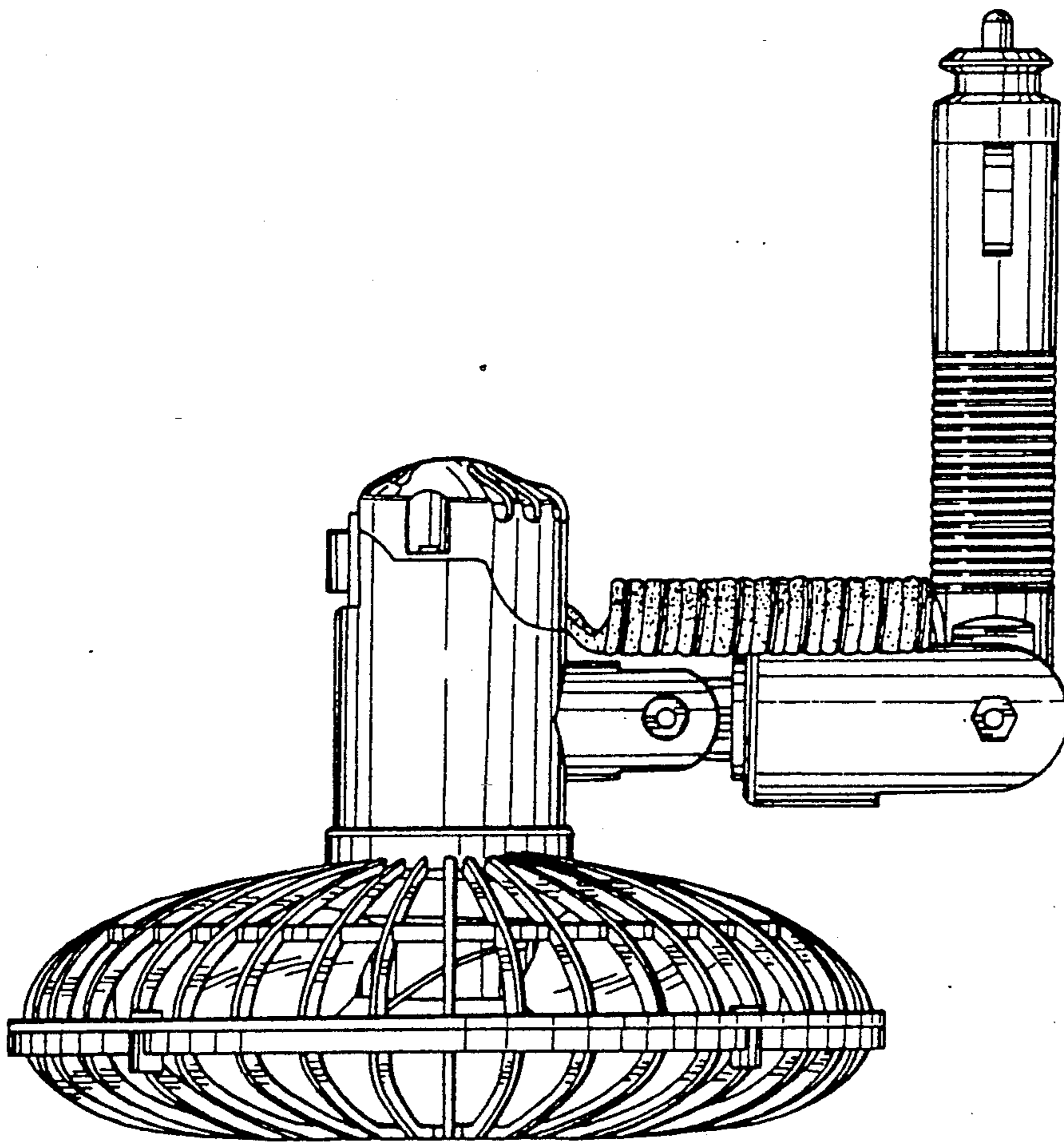


FIG. 5

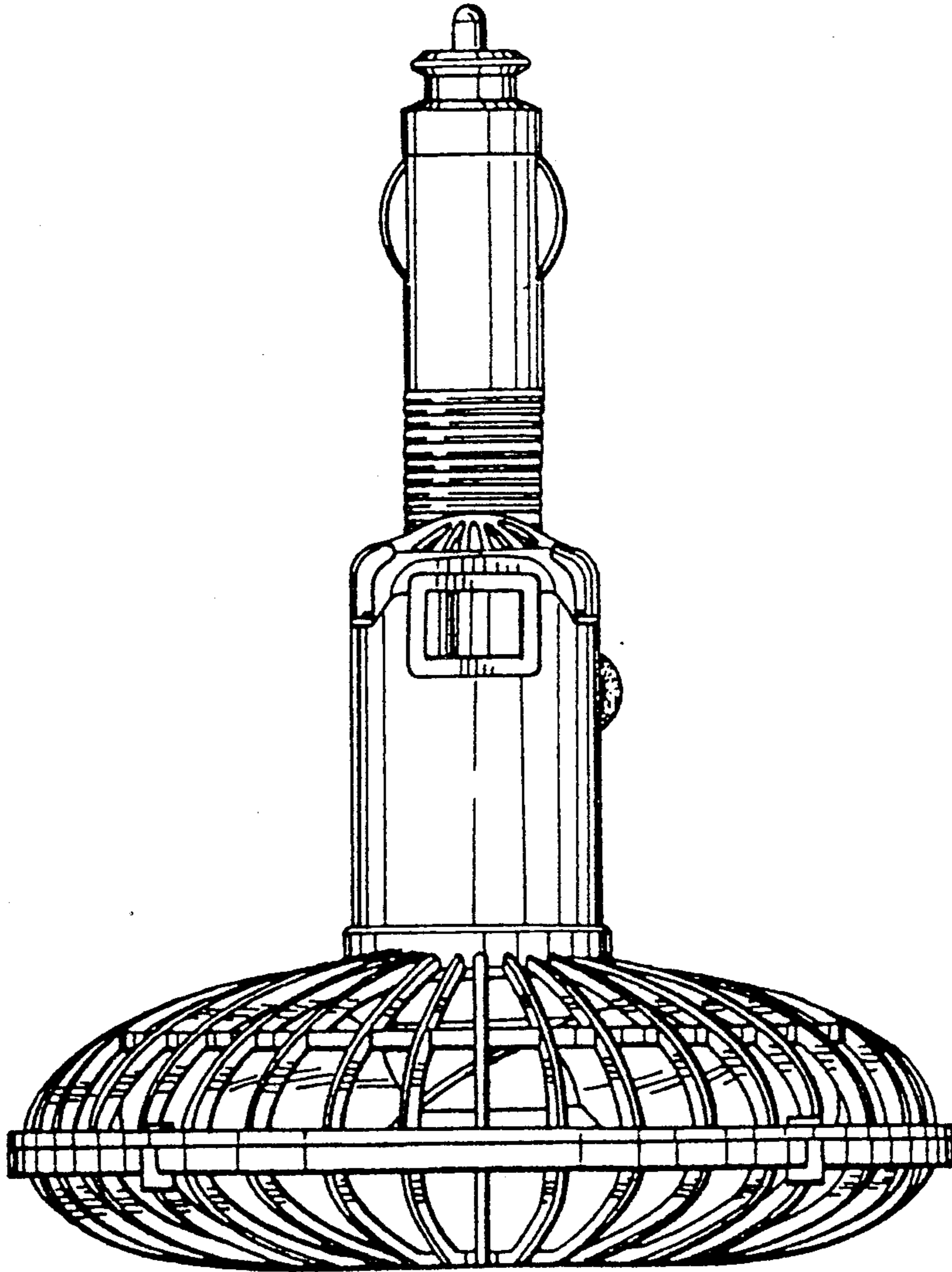


FIG. 6

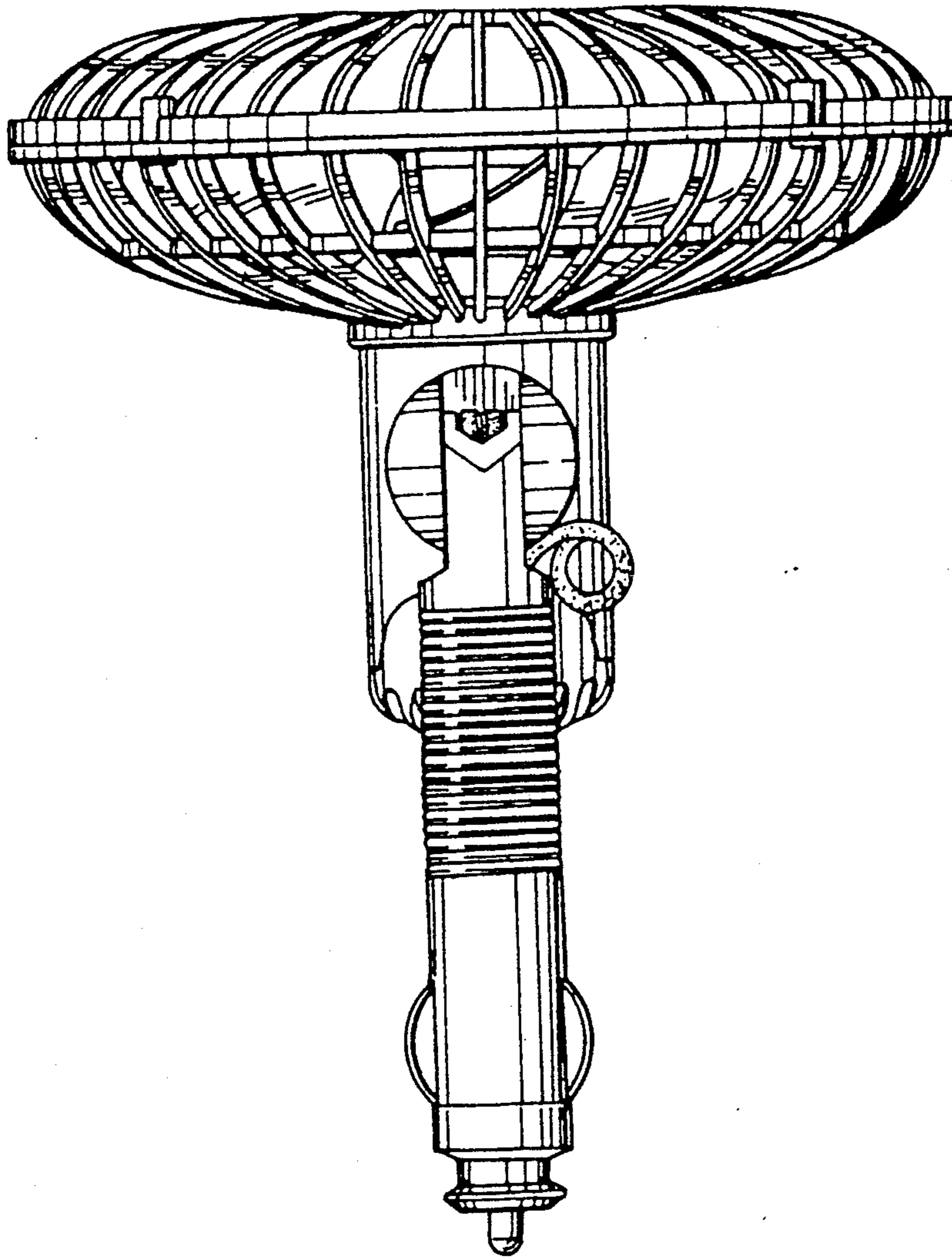


FIG. 7