



US00D327941S

United States Patent [19]

[11] Patent Number: **Des. 327,941**

Hart et al.

[45] Date of Patent: **** Jul. 14, 1992**

[54] **VEHICLE MOUNTED SPRAYER TANK**

[56] **References Cited**

[75] Inventors: **John F. Hart; Robin Whitfield**, both of Palmerston North, New Zealand

U.S. PATENT DOCUMENTS

- D. 196,272 9/1963 Gran D23/202
- D. 216,309 12/1969 Halaby D23/202
- D. 229,612 12/1973 German D12/155
- D. 293,704 1/1988 Hart et al. D23/202
- 2,622,887 12/1952 Prior D23/202 X

[73] Assignee: **C-DAX Systems Limited**, Palmerston North, New Zealand

Primary Examiner—Susan J. Lucas
Assistant Examiner—M. H. Tung
Attorney, Agent, or Firm—Young & Thompson

[**] Term: **14 Years**

[57] CLAIM

[21] Appl. No.: **563,982**

The ornamental design for a vehicle mounted sprayer tank, as shown and described.

[22] Filed: **Aug. 7, 1990**

DESCRIPTION

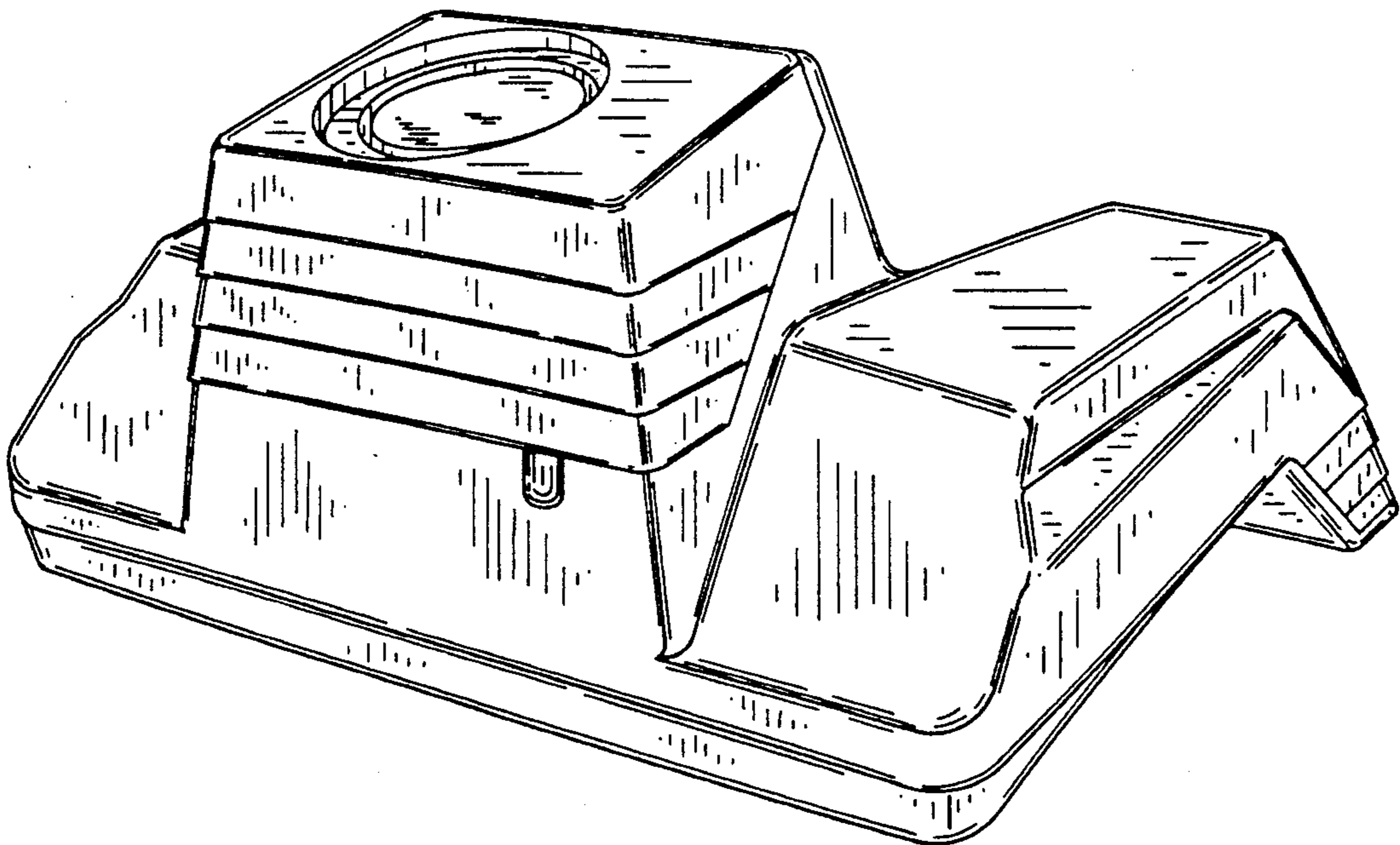
[30] Foreign Application Priority Data

Feb. 7, 1990 [NZ] New Zealand 23079

[52] U.S. Cl. **D23/202**

[58] Field of Search D23/200, 202-206;
D12/14, 155; D34/37; 220/1.5, 4.12, 562-565,
DIG. 12-DIG. 14; 215/1 R, 1 C; 280/833;
D15/10, 13; D9/308, 499

FIG. 1 is a top plan view of a vehicle mounted sprayer tank showing our new design;
FIG. 2 is a front elevational view thereof;
FIG. 3 is a side elevational view thereof, the side opposite that shown in FIG. 3 being the mirror image thereof;
FIG. 4 is a rear elevational view thereof; and,
FIG. 5 is a rear, side and top perspective view thereof.



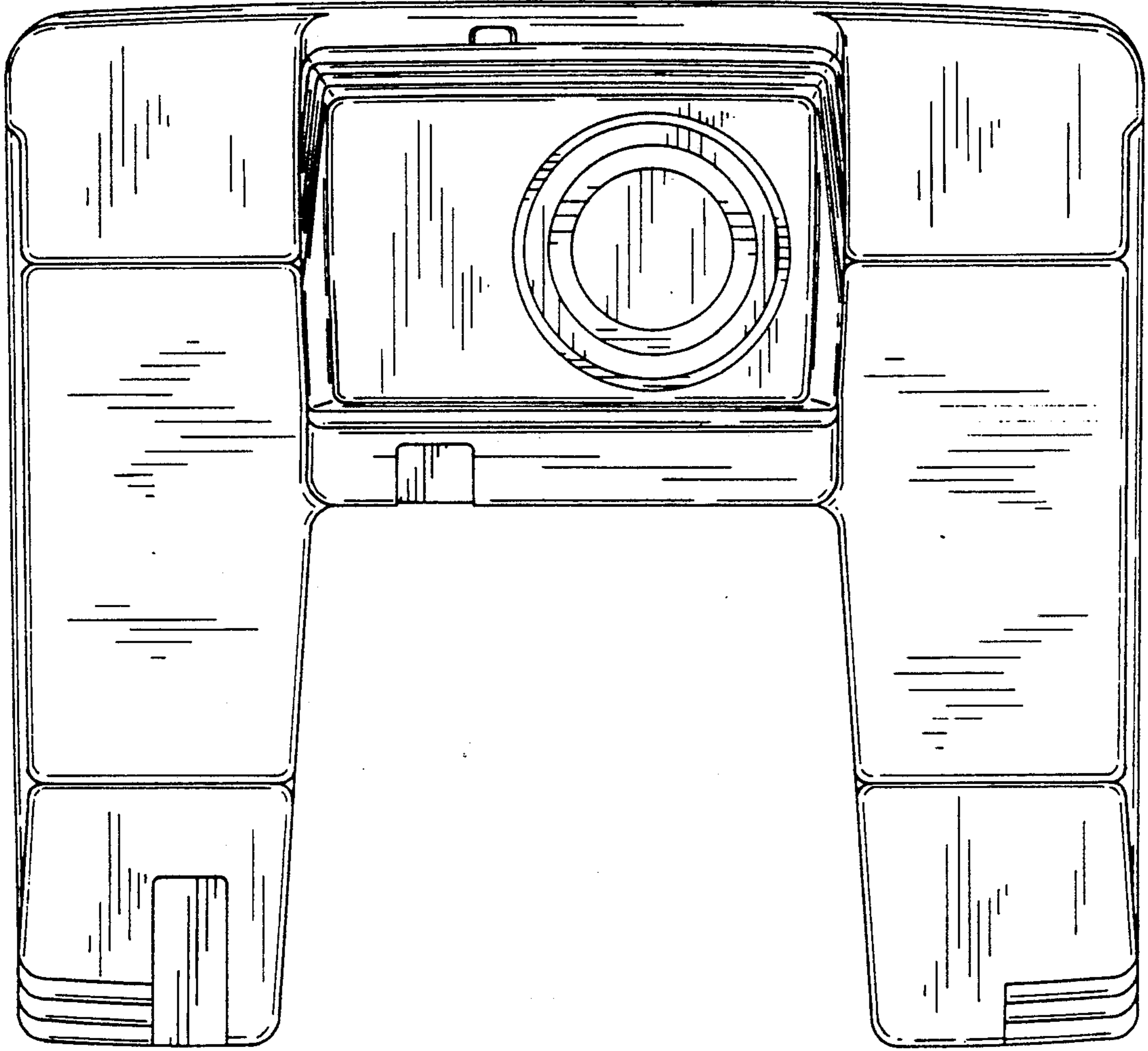


FIG. 1

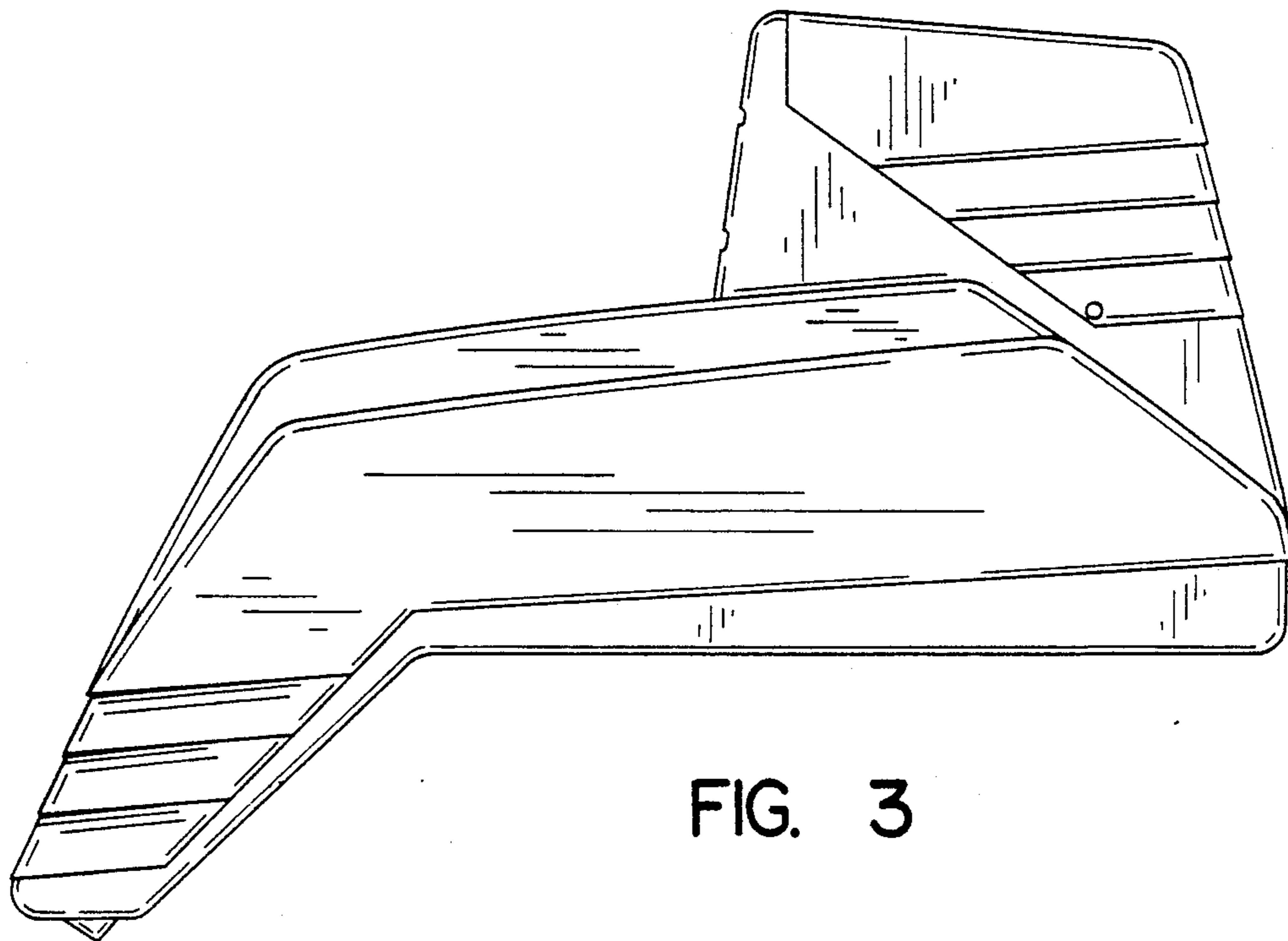


FIG. 3

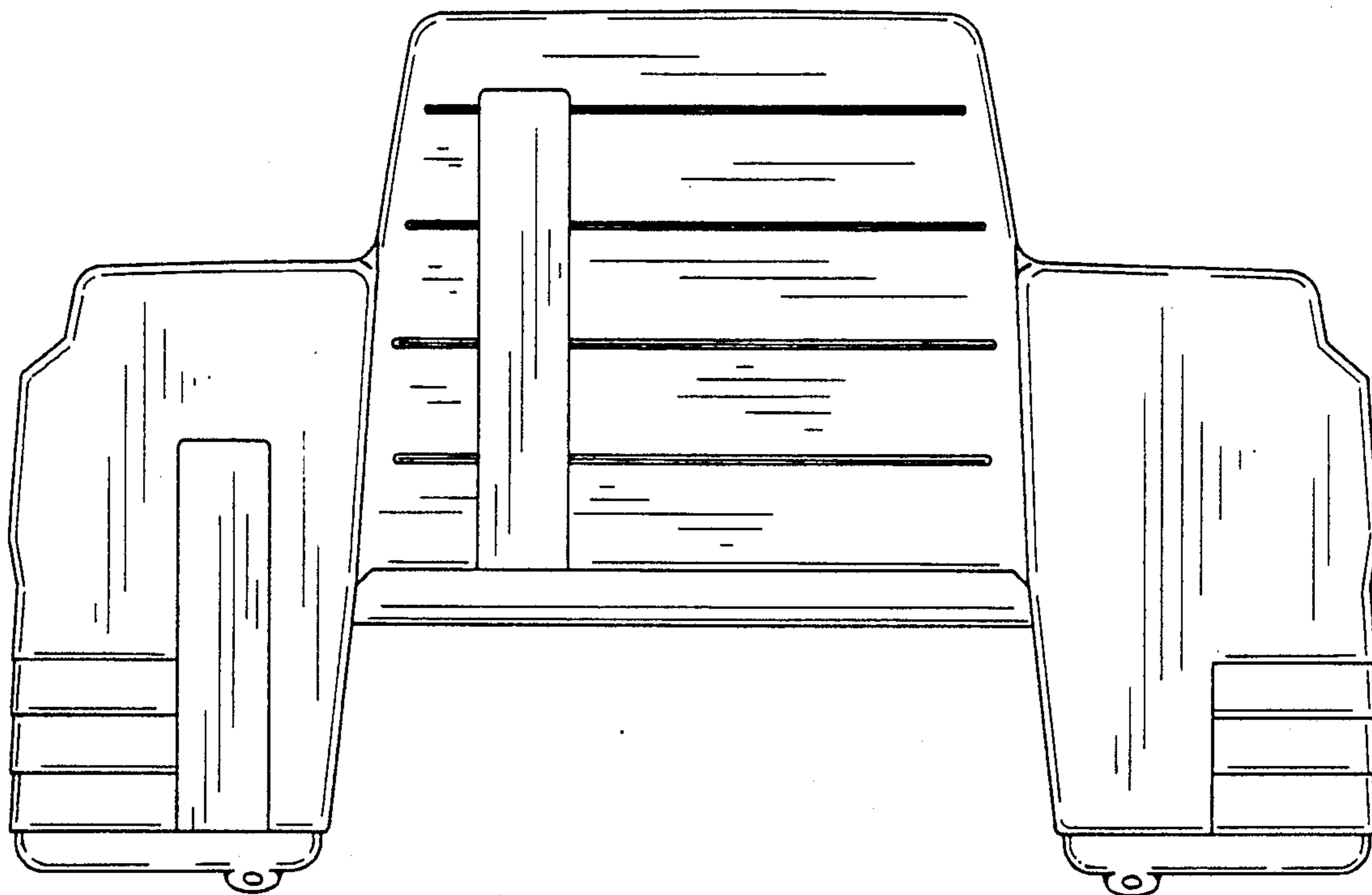


FIG. 2

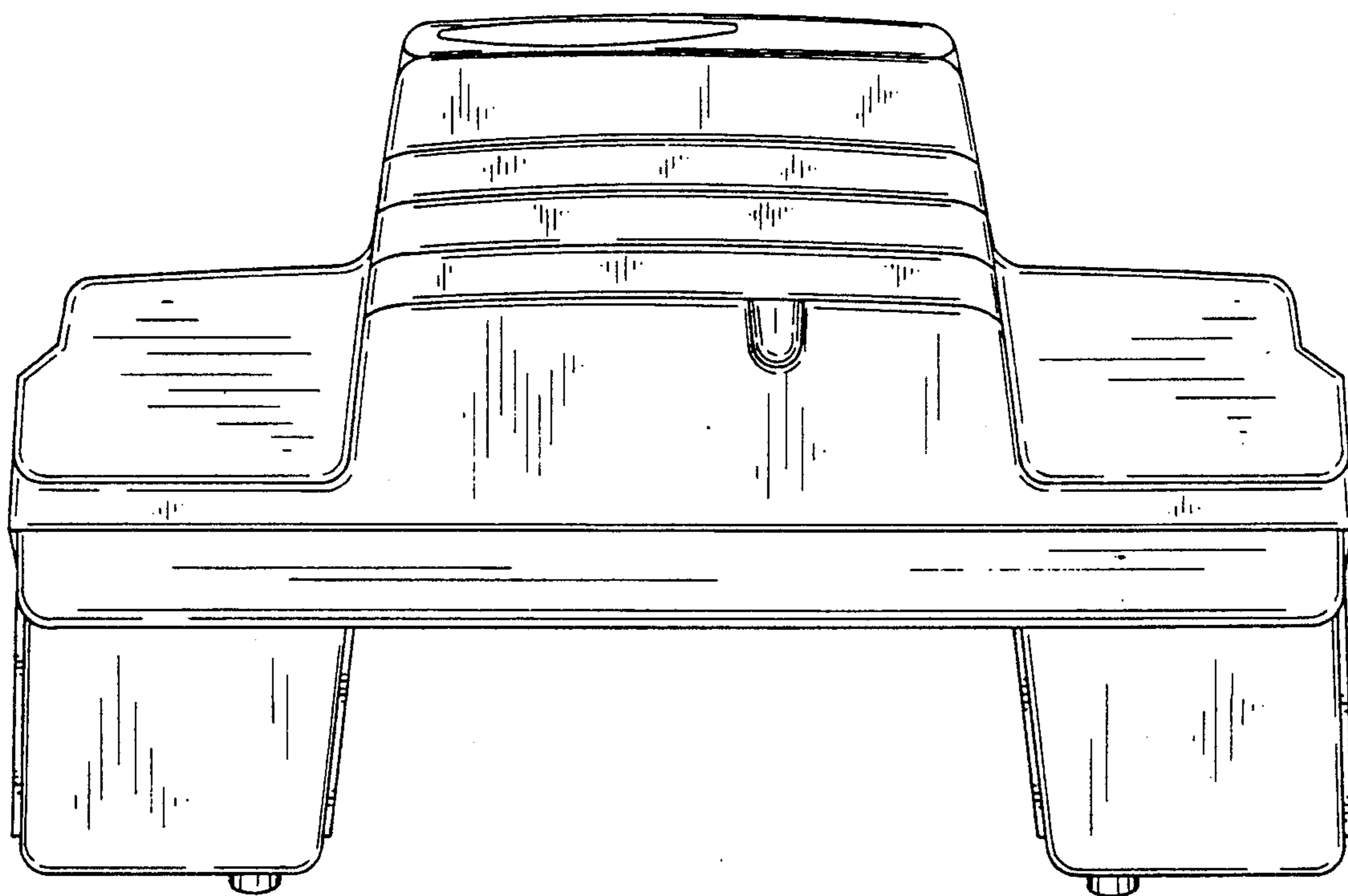


FIG. 4

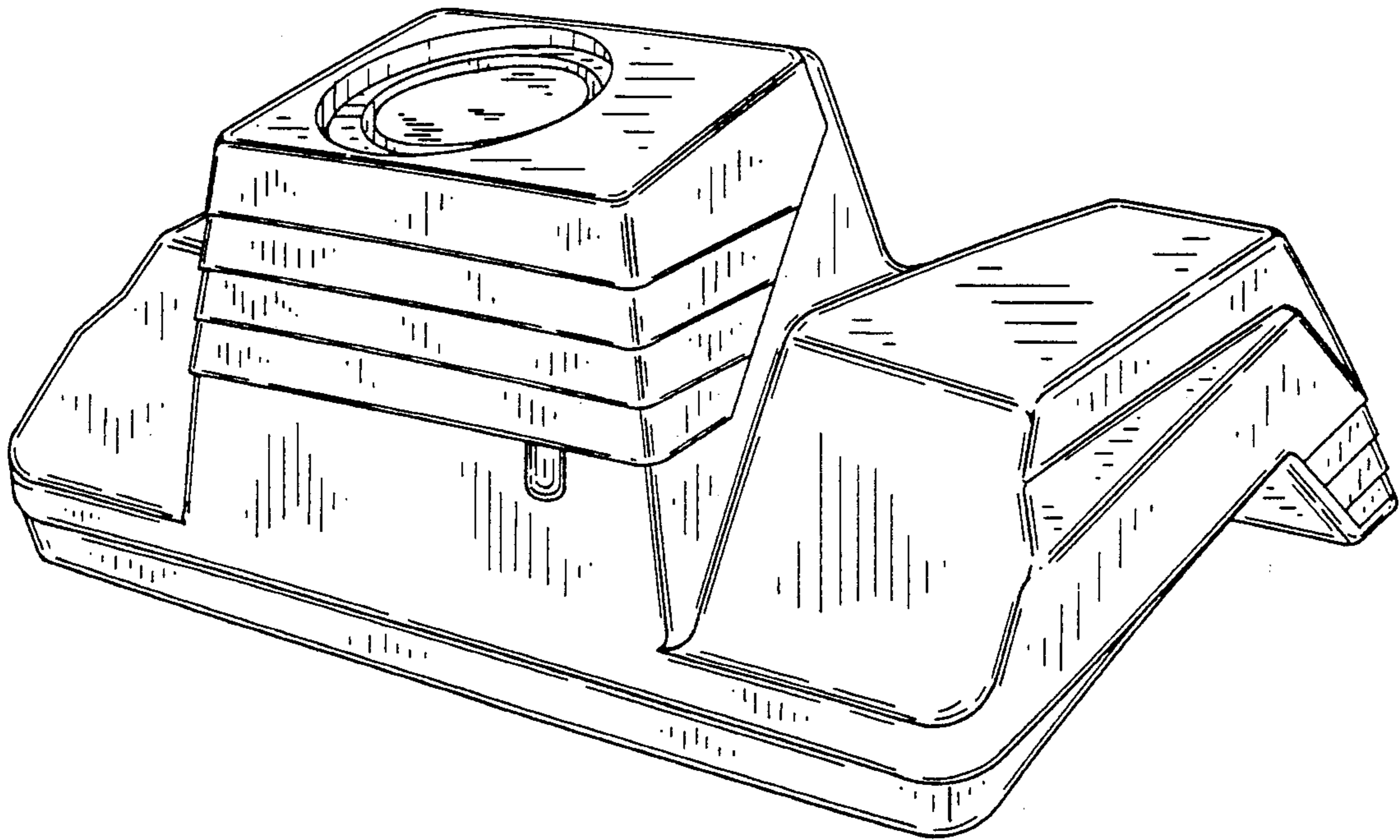


FIG. 5