



US00D327938S

United States Patent [19]

[11] Patent Number: Des. 327,938

Shadyac

[45] Date of Patent: ** Jul. 14, 1992

- [54] FLYSWATTER OR THE LIKE
- [75] Inventor: Thomas P. Shadyac, Los Angeles, Calif.
- [73] Assignee: Punch Enterprises, Inc., Falls Church, Va.
- [**] Term: 14 Years
- [21] Appl. No.: 609,461
- [22] Filed: Nov. 5, 1990
- [52] U.S. Cl. D22/124
- [58] Field of Search D22/124; D2/270, 278, D2/309, 268; D4/130-135, 138; D8/39, 40, 42; D7/300.2, 394, 395, 683, 688, 682; 43/137

Keds Knockarounds, Fall 1979, p. 11, Champion Oxford.
 Spiegel, Spring 1985, p. 251 "Topsider 10".
 Hong Kong Enterprise, Oct. 1990, p. 774 Brush handle p. 259 and p. 765, Can Opener Handle S-10275.

Primary Examiner—A. Hugo Word
Assistant Examiner—Doris V. Coles

[57] CLAIM

The ornamental design for a flyswatter or the like, as shown and described.

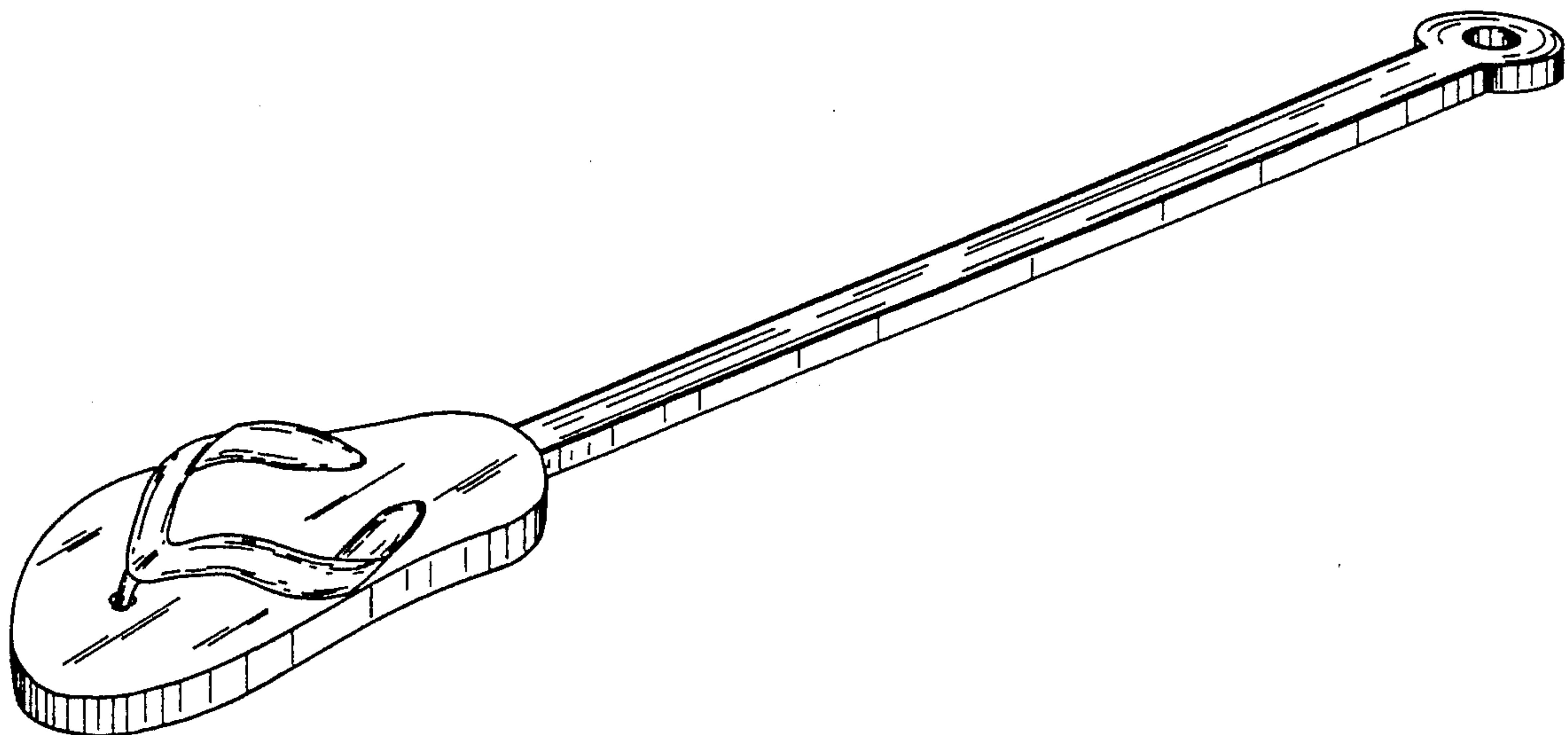
DESCRIPTION

FIG. 1 is a perspective view of a flyswatter, or the like, showing my new design;
 FIG. 2 is a rear elevational view thereof;
 FIG. 3 is a front elevational view thereof;
 FIG. 4 is a right side elevational view thereof;
 FIG. 5 is a top plan view thereof;
 FIG. 6 is a bottom plan view thereof;
 FIG. 7 is a perspective view of a second embodiment;
 FIG. 8 is a rear elevational view thereof;
 FIG. 9 is a front elevational view thereof;
 FIG. 10 is a right side elevational view thereof;
 FIG. 11 is a top plan view thereof;
 FIG. 12 is a bottom plan view thereof;
 FIG. 13 is a perspective view of a third embodiment;
 FIG. 14 is a rear elevational view thereof;
 FIG. 15 is a front elevational view thereof;
 FIG. 16 is a right side elevational view thereof;
 FIG. 17 is a top plan view thereof; and,
 FIG. 18 is a bottom plan view thereof.

- [56] **References Cited**
- U.S. PATENT DOCUMENTS**
- | | | | | |
|------------|---------|-----------|-------|----------|
| D. 163,152 | 5/1951 | Webbeking | | D22/124 |
| D. 167,658 | 9/1952 | Roop | | 43/137 X |
| D. 187,781 | 5/1960 | Hayakawa | | D2/270 |
| D. 207,163 | 3/1967 | Fukuoka | | D2/270 |
| D. 237,424 | 11/1975 | Hannemann | | D2/278 |
| D. 265,225 | 6/1982 | Oakes | | D22/124 |
| D. 266,182 | 9/1982 | Borer | | D22/124 |
| D. 271,414 | 11/1983 | Kroll | | D22/124 |
| D. 288,742 | 3/1987 | Caretti | | D2/268 X |
| D. 292,428 | 10/1987 | Strode | | D22/124 |
| 4,907,367 | 3/1990 | Herman | | 43/137 |

OTHER PUBLICATIONS

Hong Kong Enterprise, May 1982, p. 318 Tin Shun Trading Co. Thong Sandal #638.



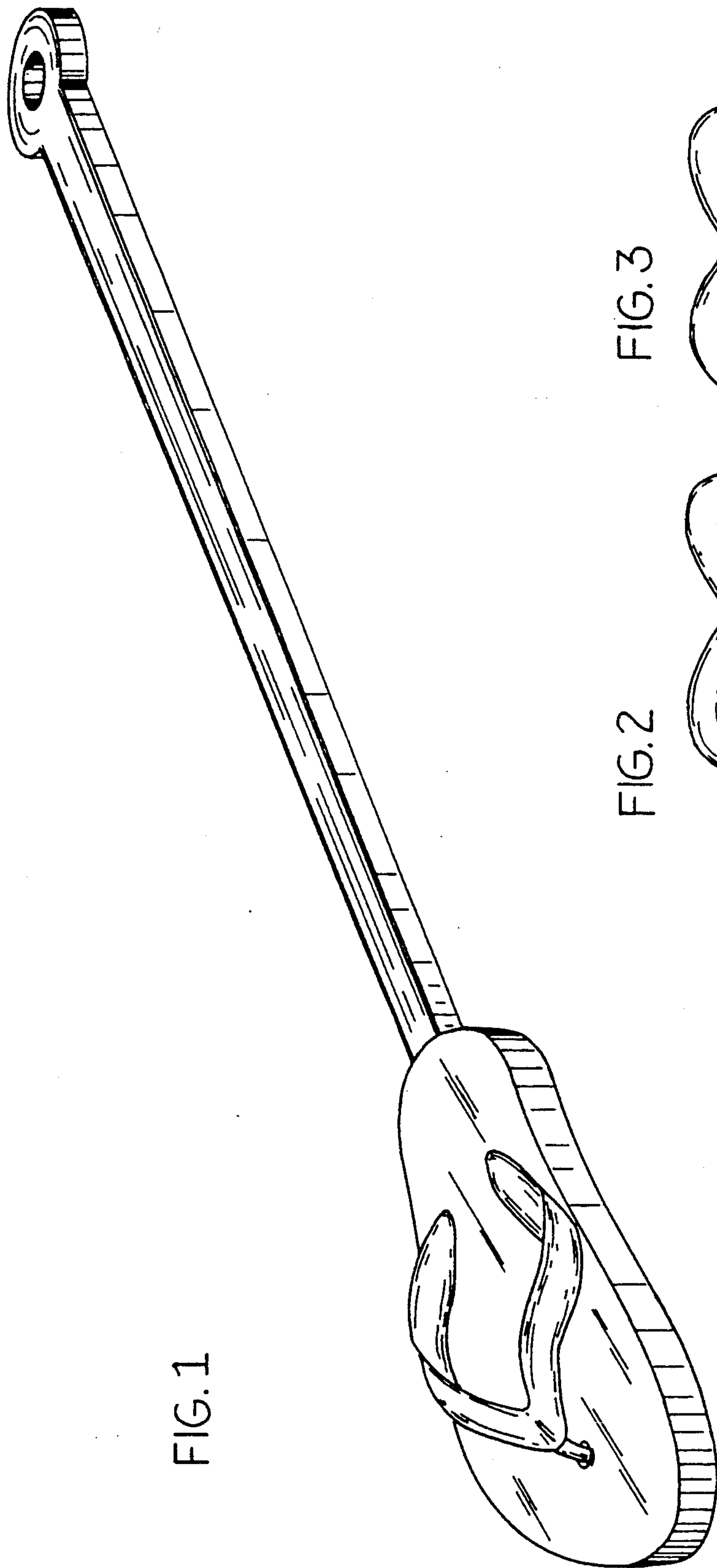


FIG. 1

FIG. 2

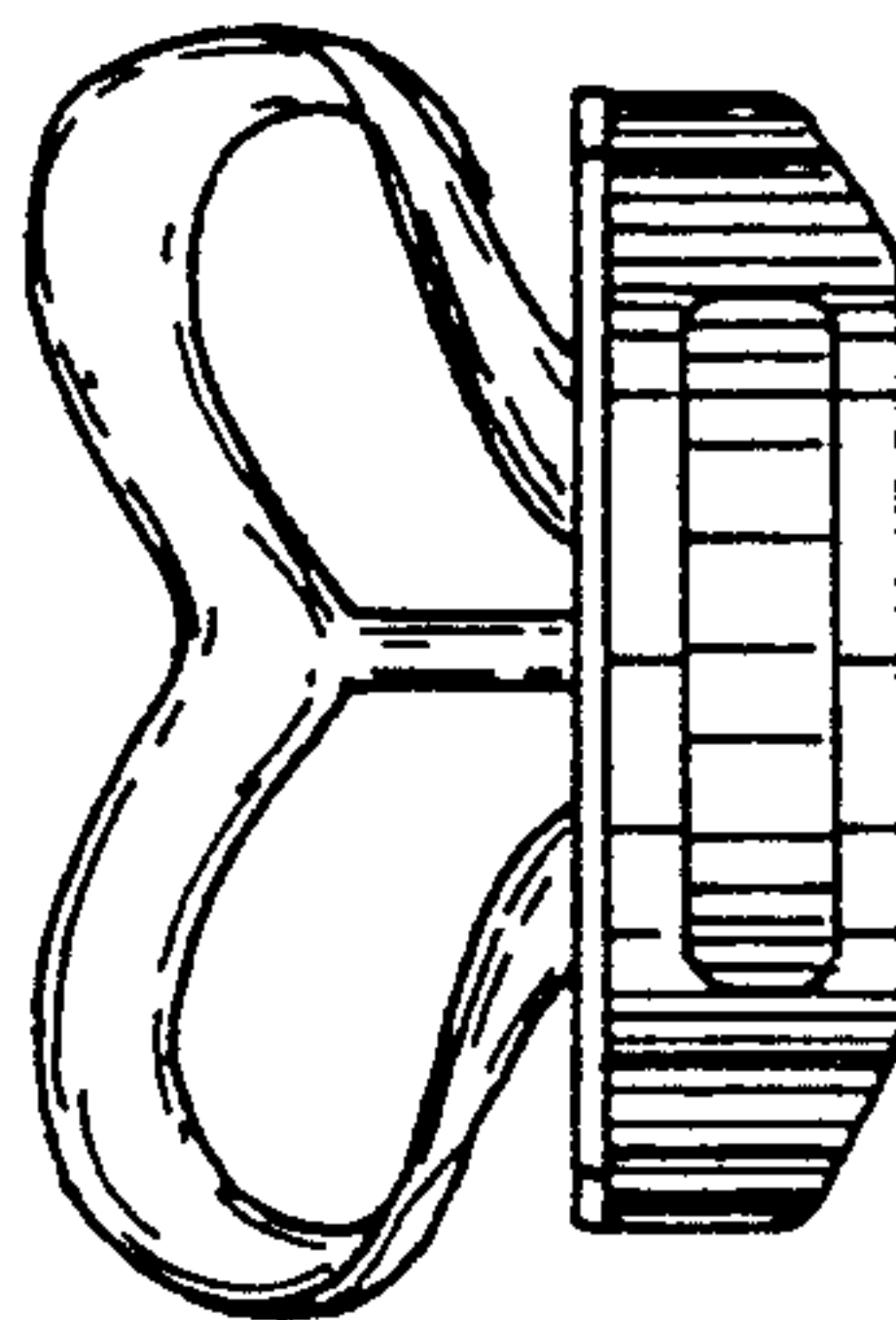


FIG. 3

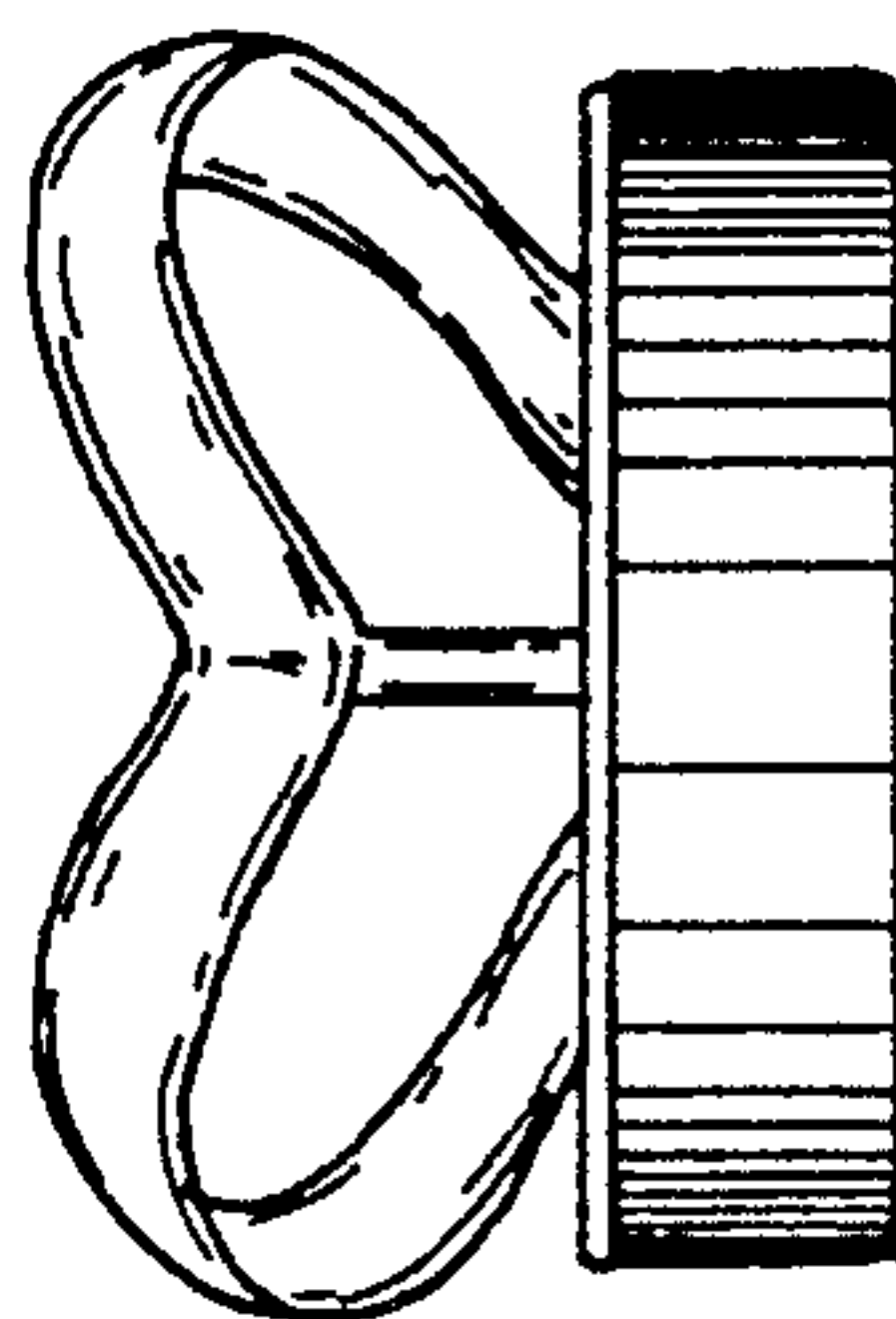


FIG. 4



FIG. 5

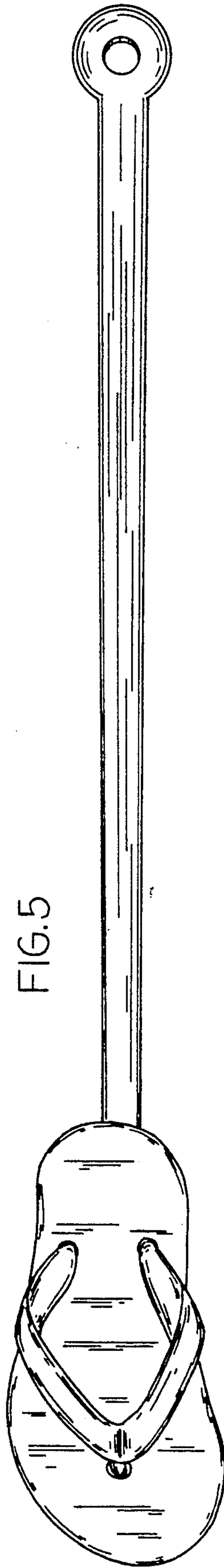
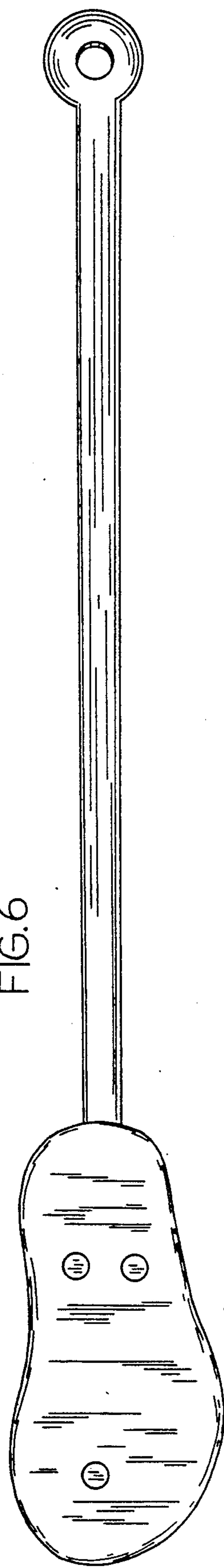


FIG. 6



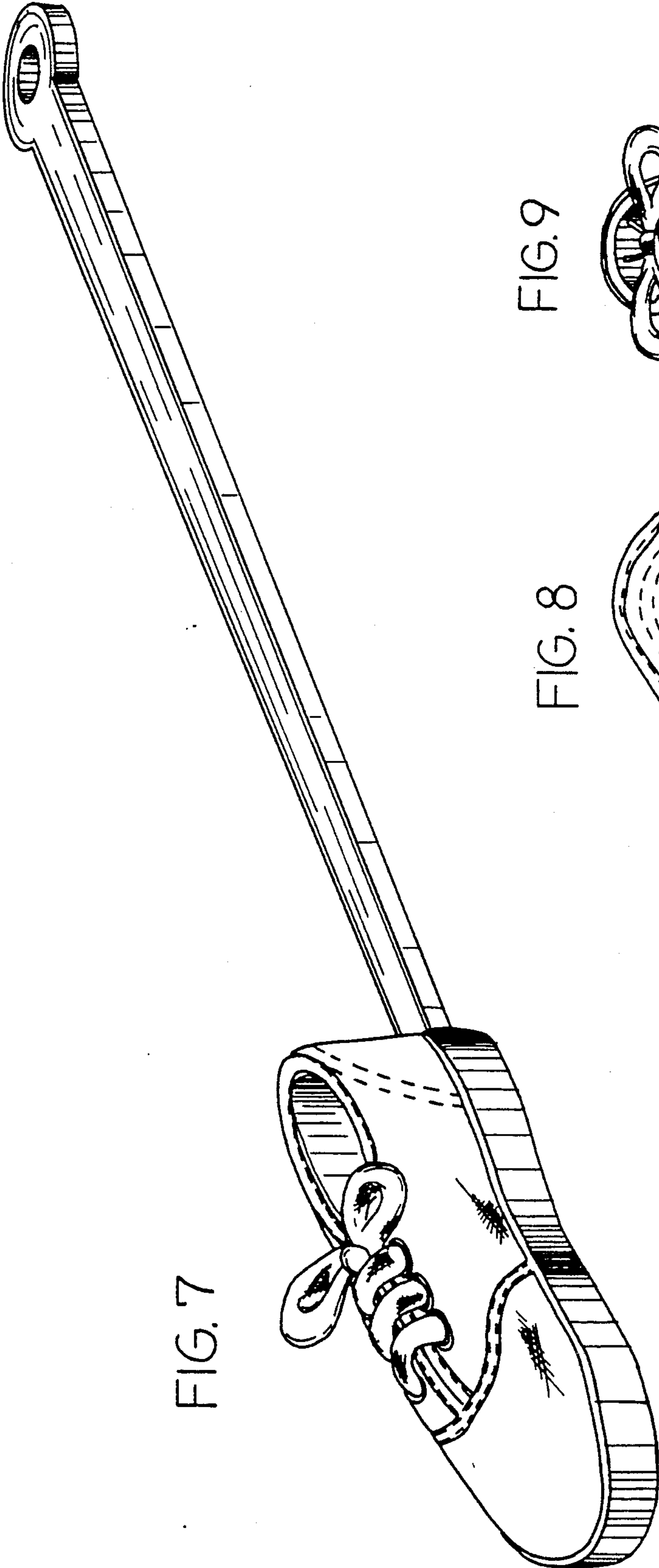


FIG. 7

FIG. 9

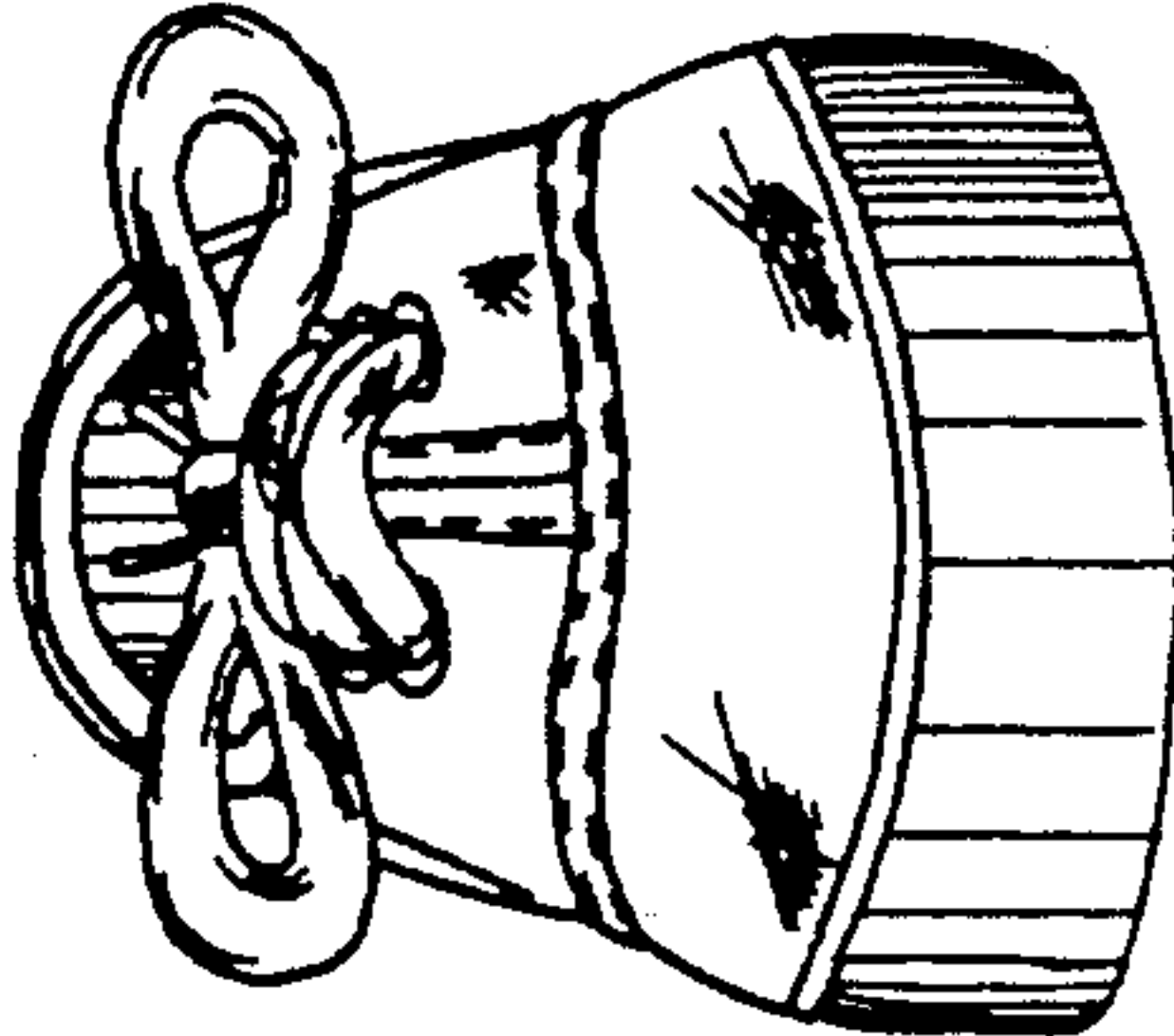


FIG. 8

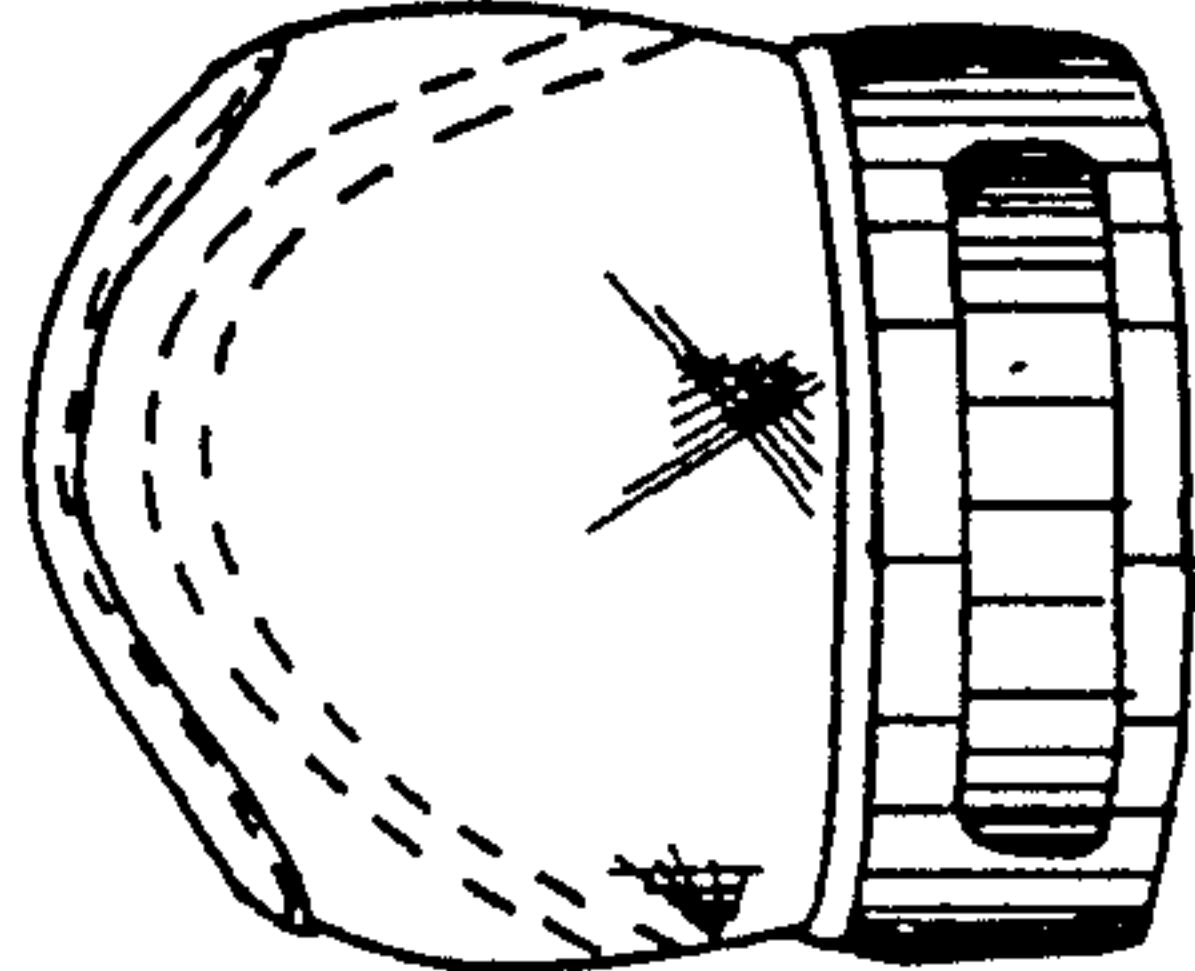


FIG. 10

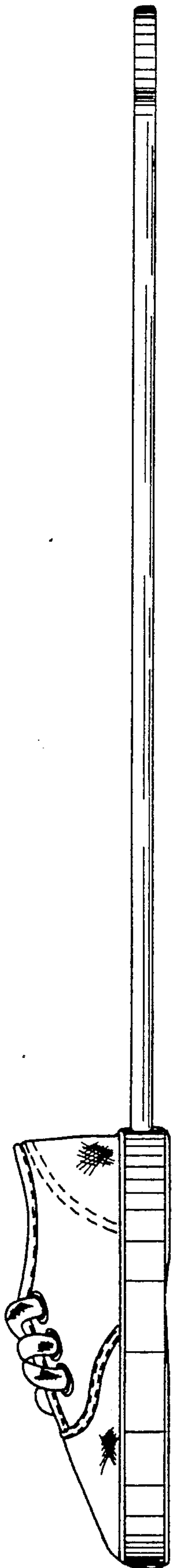


FIG. 11

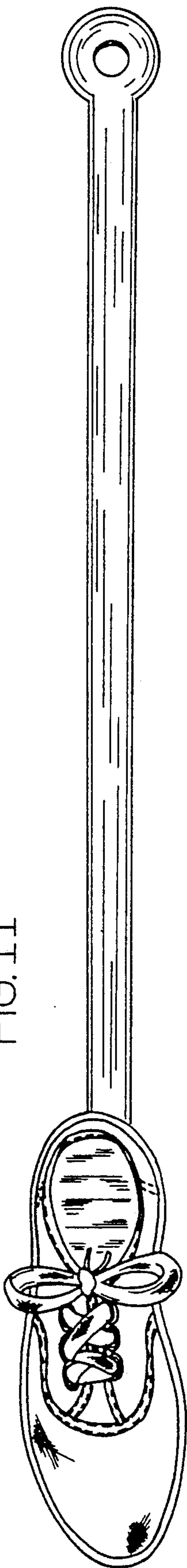
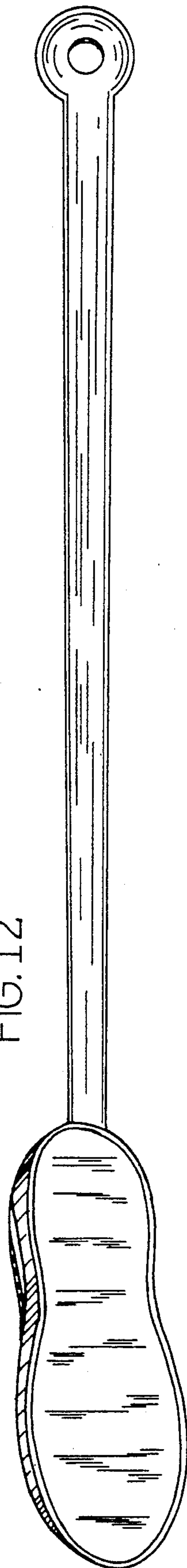


FIG. 12



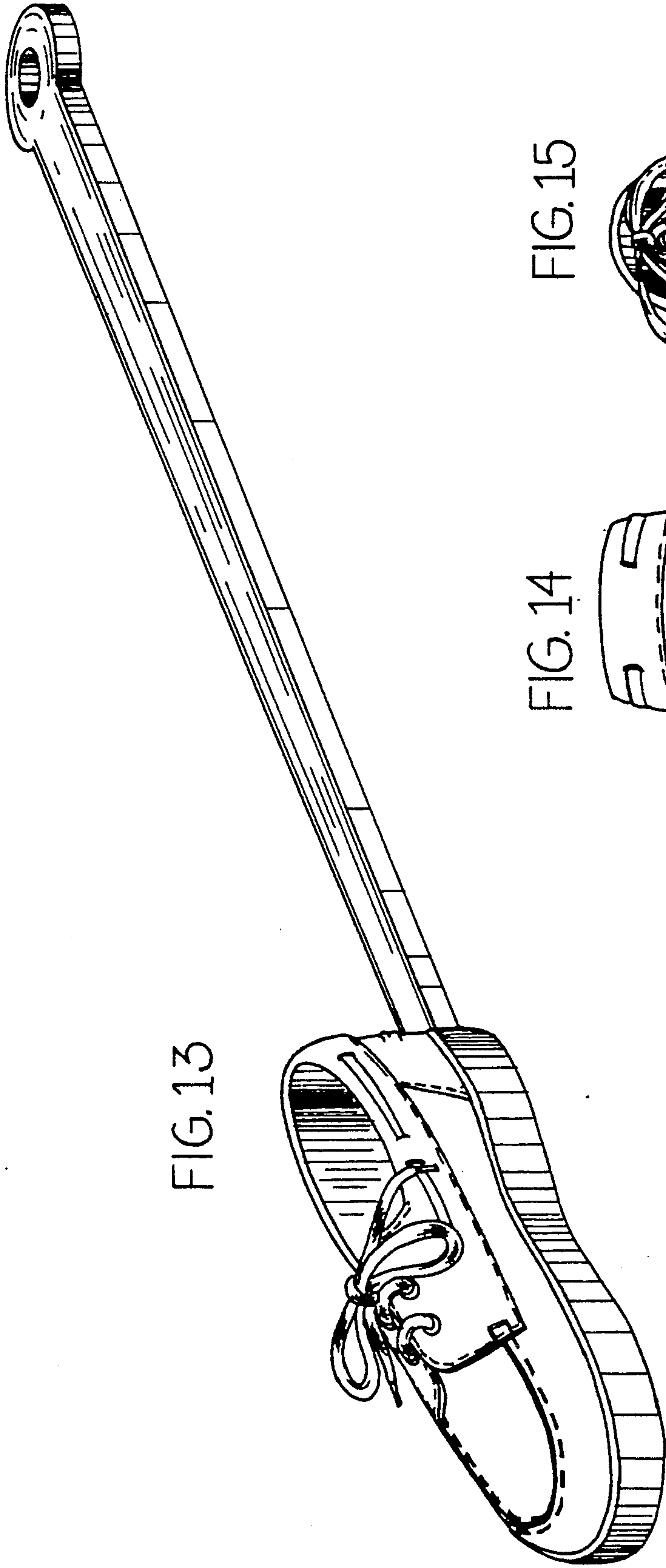


FIG. 13

FIG. 14

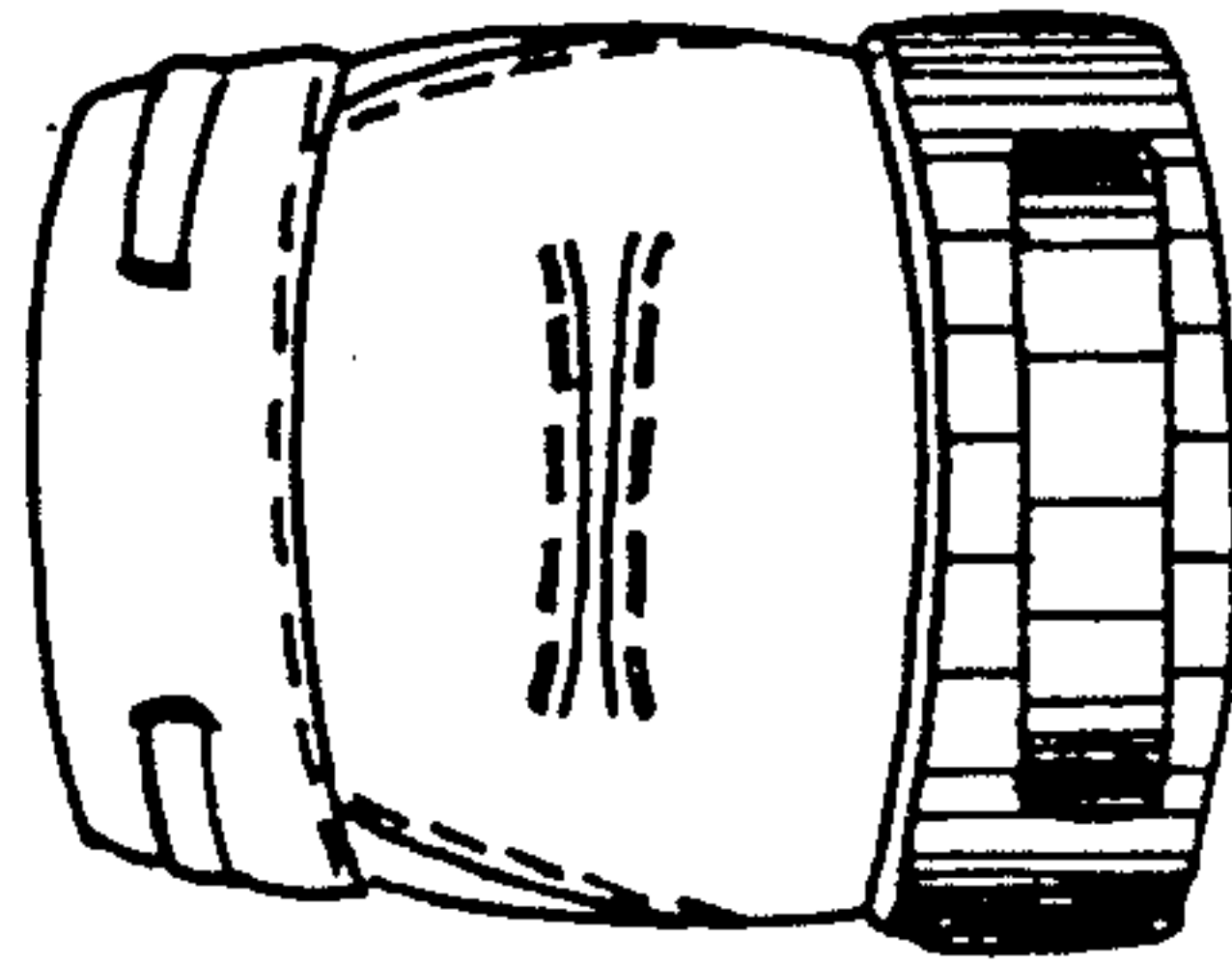


FIG. 15

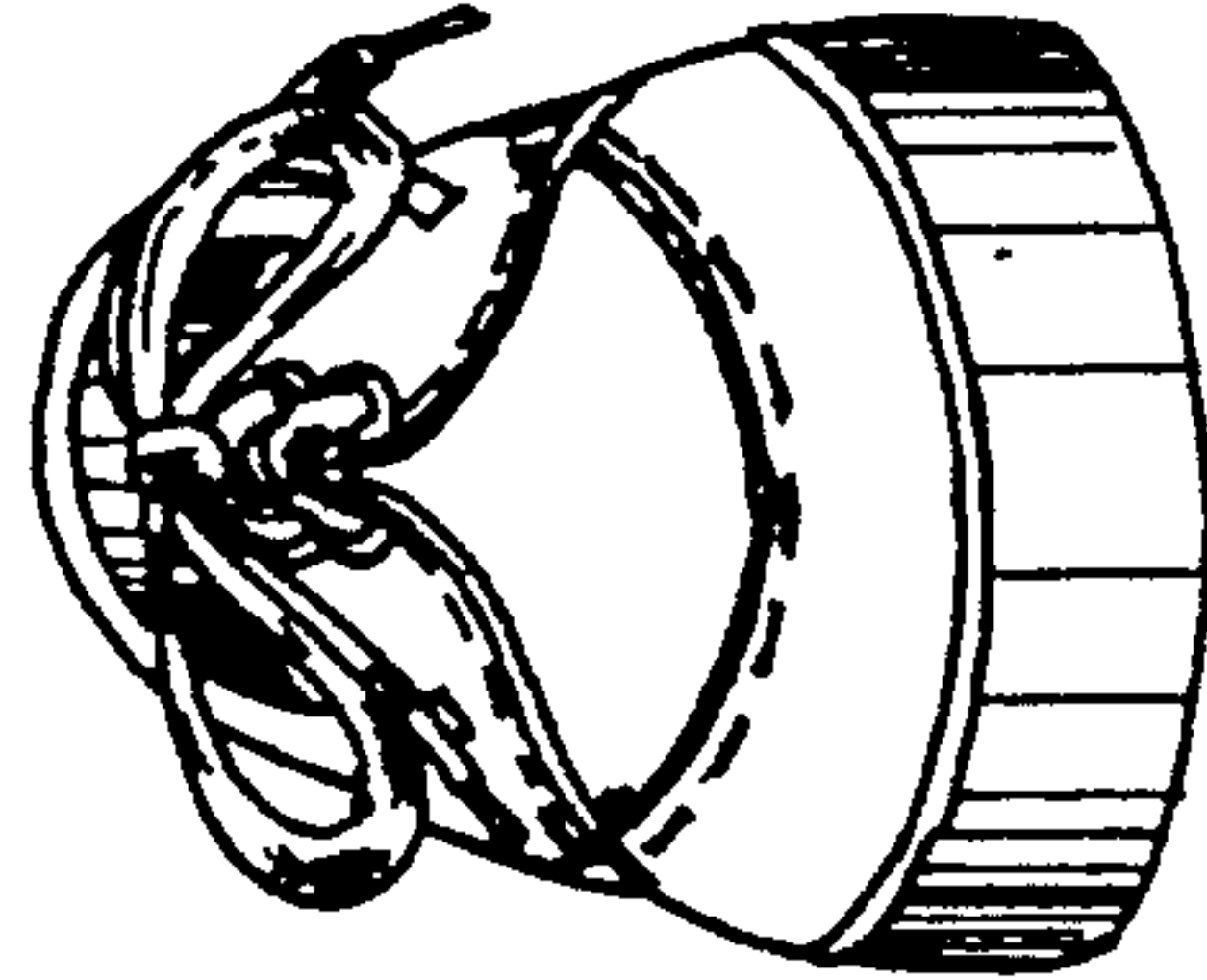


FIG. 16

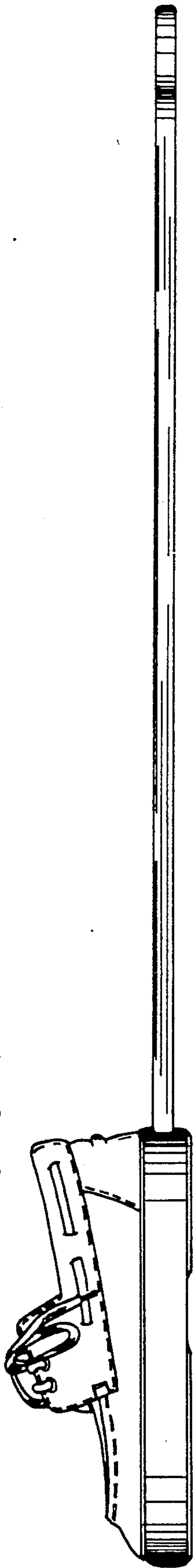


FIG. 17

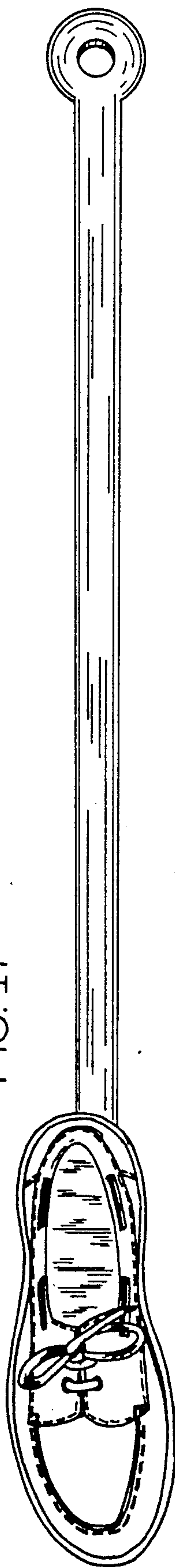


FIG. 18

