



US00D327936S

United States Patent [19]

House, Jr. et al.

[11] Patent Number: Des. 327,936

[45] Date of Patent: ** Jul. 14, 1992

[54] AMUSEMENT RIDE

3,767,194 10/1973 Barber 272/29

[76] Inventors: Walter J. House, Jr., Amarillo, Tex.;
Verna J. House, executrix, Rt. 6 Box
343, Amarillo, Tex. 79124

Primary Examiner—Bernard Ansher
Assistant Examiner—Philip Hyder
Attorney, Agent, or Firm—Wendell Coffee

[**] Term: 14 Years

[57] CLAIM

[21] Appl. No.: 237,096

The ornamental design for an amusement ride, as shown
and described.

[22] Filed: Aug. 29, 1988

[52] U.S. Cl. D21/242

DESCRIPTION

[58] Field of Search D21/242, 247, 248;
272/37, 29, 30

FIG. 1 is front elevational view of an amusement ride
showing my new design;

FIG. 2 is a top plan view thereof;

FIG. 3 is a right side elevational view thereof, with the
track portion in an alternate position;

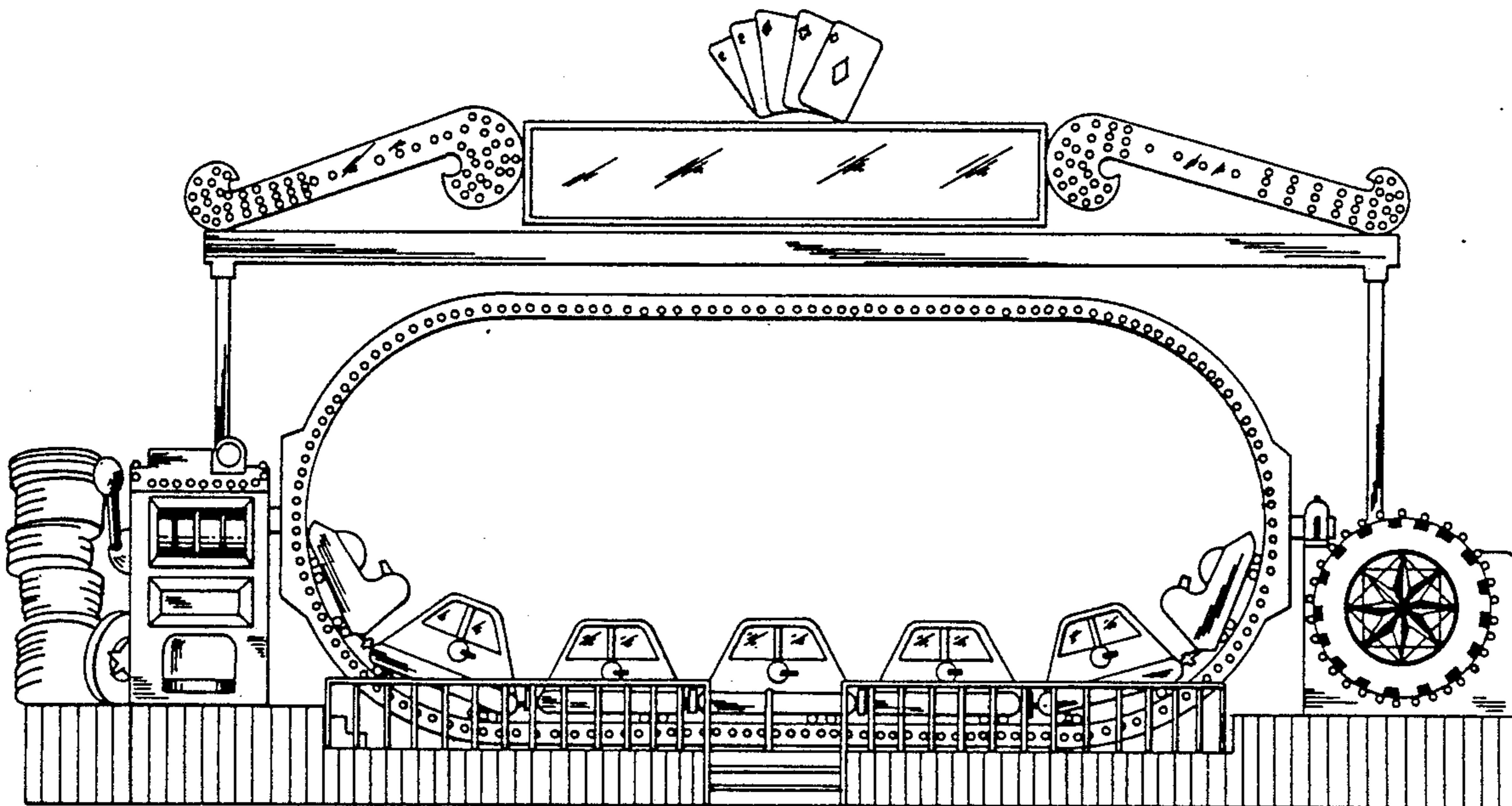
FIG. 4 is a rear elevational view thereof; and,

FIG. 5 is a left side elevational view thereof, with the
track portion in an alternate position.

[56] References Cited

U.S. PATENT DOCUMENTS

D. 251,132 2/1979 Reverchon D21/242
3,484,104 12/1969 Goforth et al. 272/29
3,596,905 8/1971 Brown 272/29



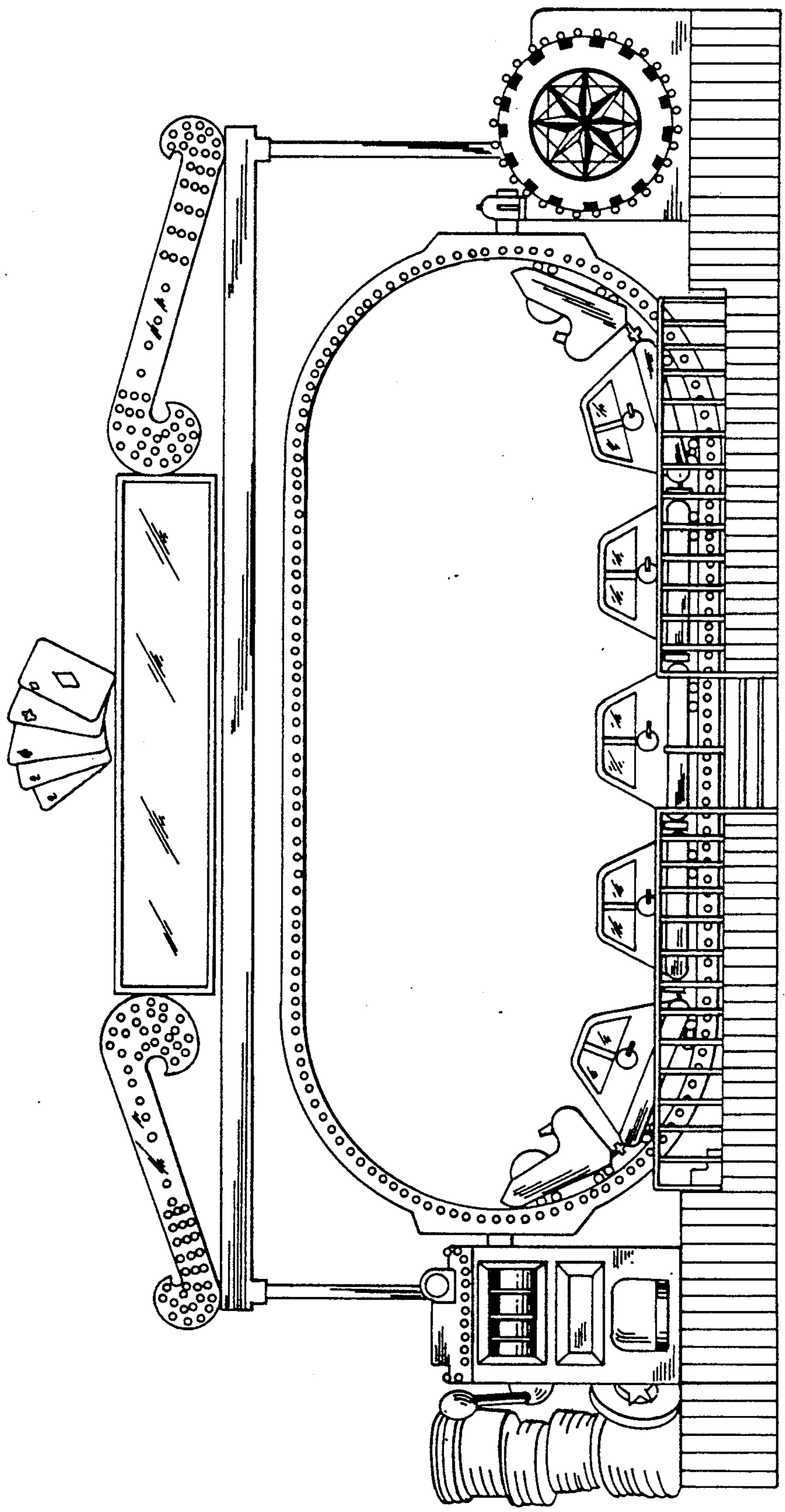


FIG-1

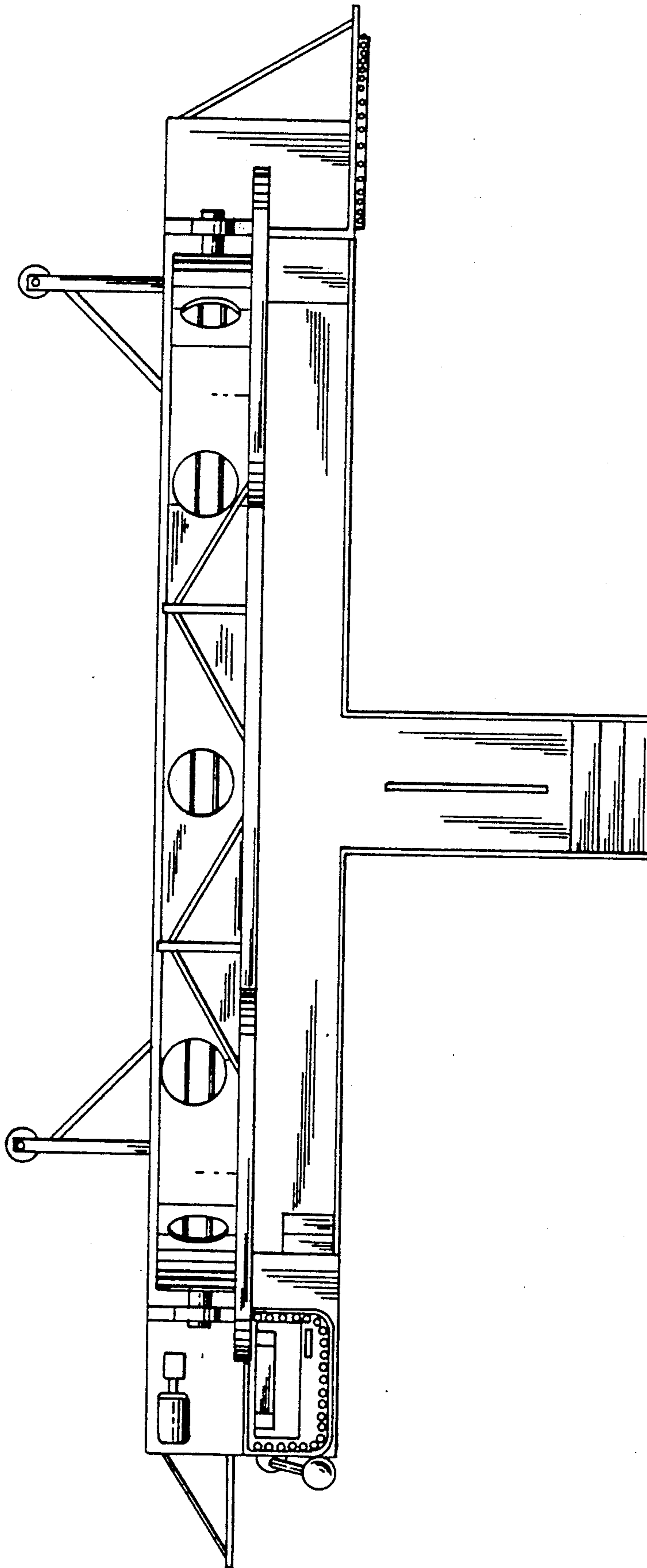


FIG-2

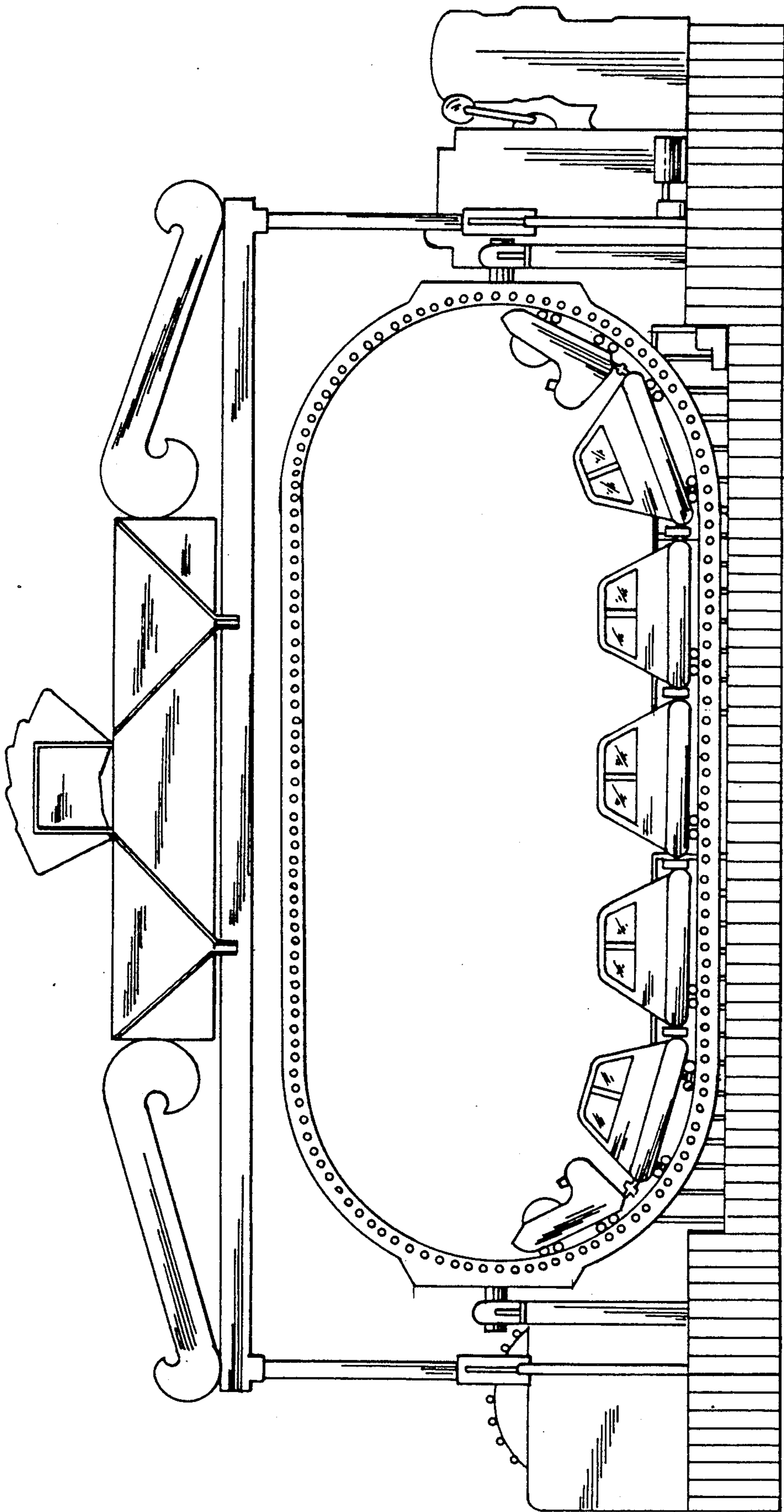


FIG-4

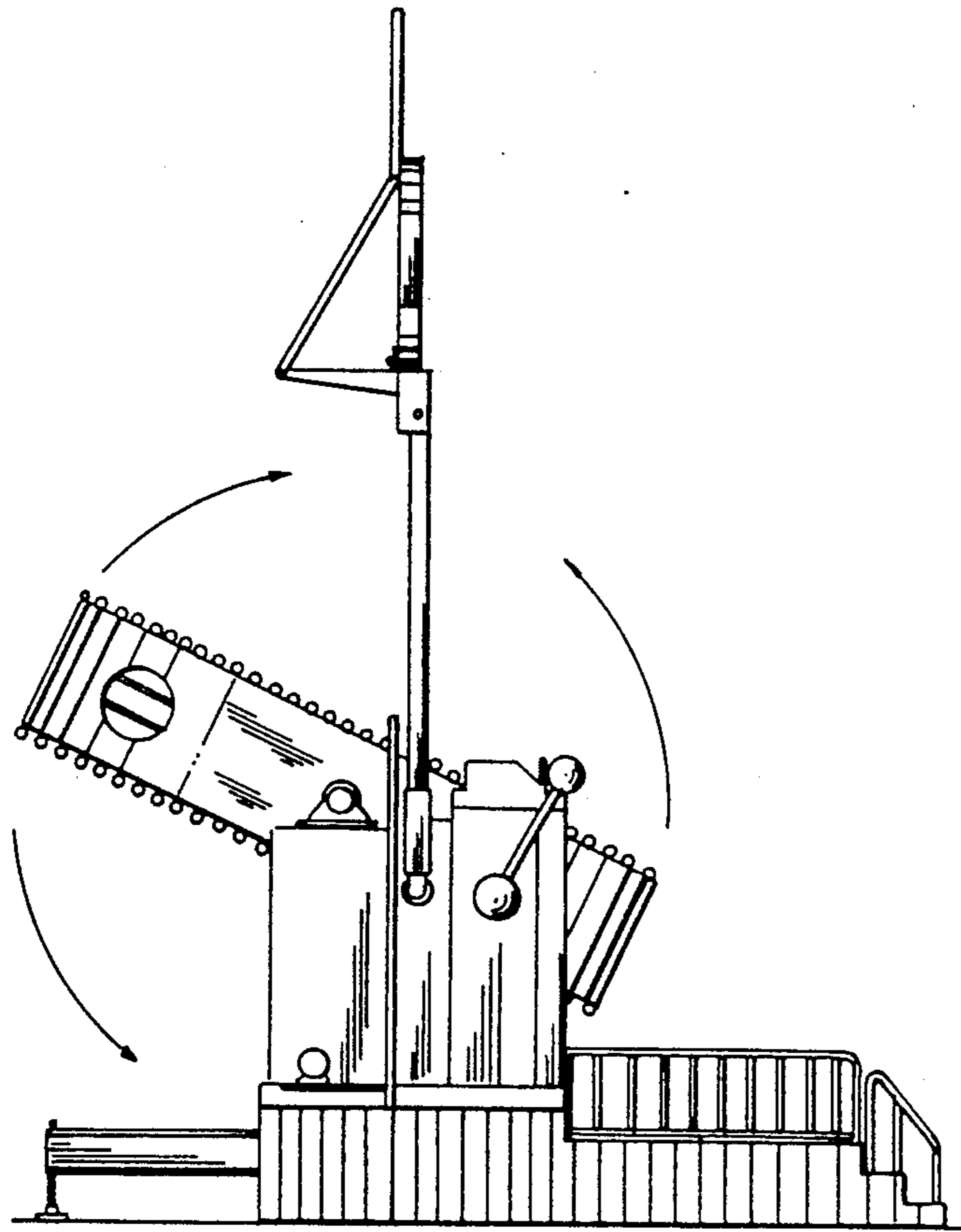


FIG-5

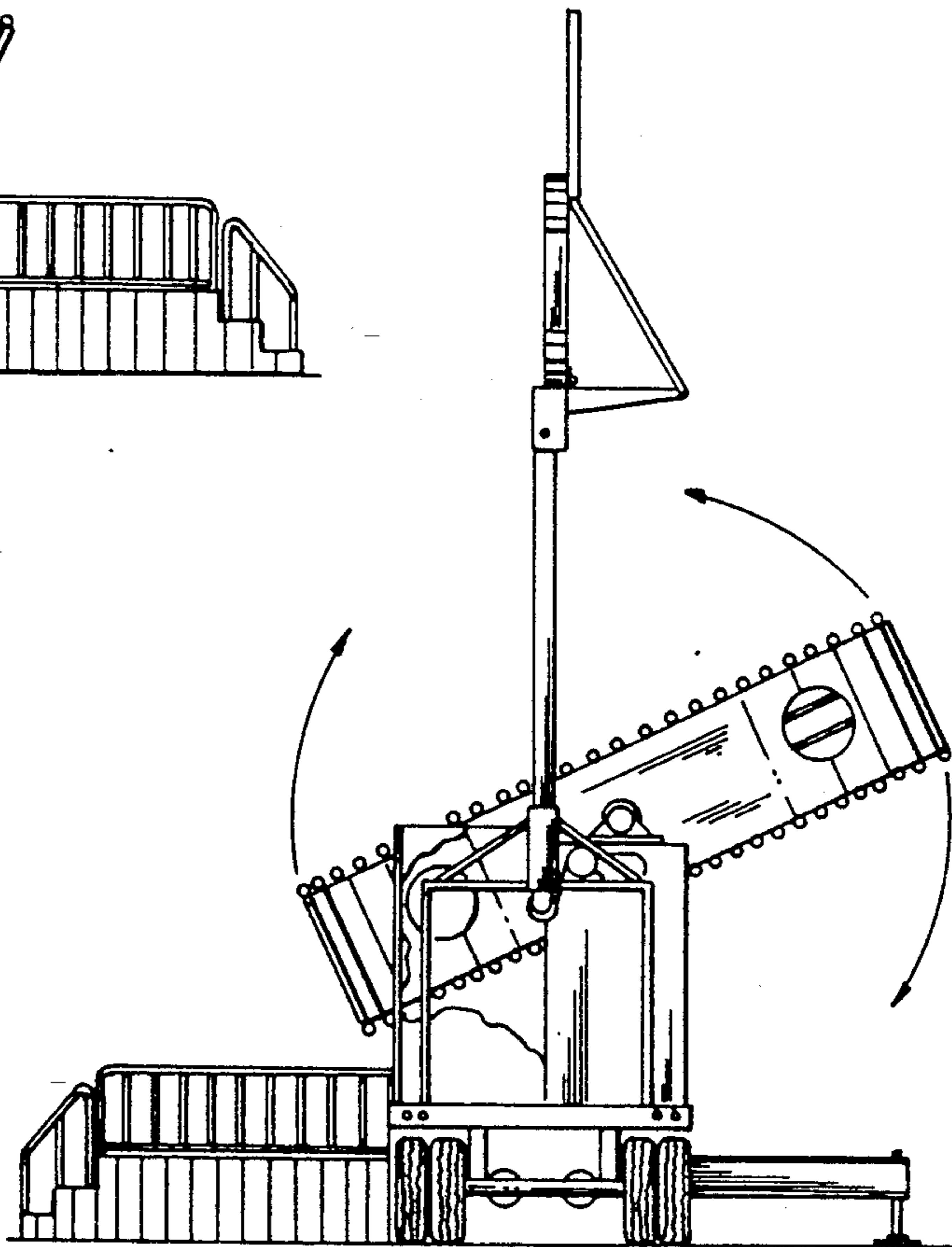


FIG-3