



US00D327929S

# United States Patent [19]

[11] Patent Number: **Des. 327,929**

Nebbia et al.

[45] Date of Patent: **\*\* Jul. 14, 1992**

[54] **GOLF PUTTER HEAD**

D. 282,556	2/1986	Slagle	.....	D21/219
D. 316,130	4/1991	Urban	.....	D21/218
4,902,015	2/1990	Nebbia	.....	273/164

[76] Inventors: **David G. Nebbia**, 15 Sentry Hill Rd., York Harbor, Me. 03909; **Richard A. McKenney**, 91 Sesame St., Tewksbury, Mass. 01876

*Primary Examiner*—Melvin B. Feifer  
*Attorney, Agent, or Firm*—William Nitkin

[\*\*] Term: **14 Years**

[57] **CLAIM**

[21] Appl. No.: **493,712**

The ornamental design for a golf putter head, as shown and described.

[22] Filed: **Mar. 15, 1990**

**DESCRIPTION**

[52] U.S. Cl. .... **D21/218; D21/219**

FIG. 1 is a front elevational view of a golf putter head showing my new design;

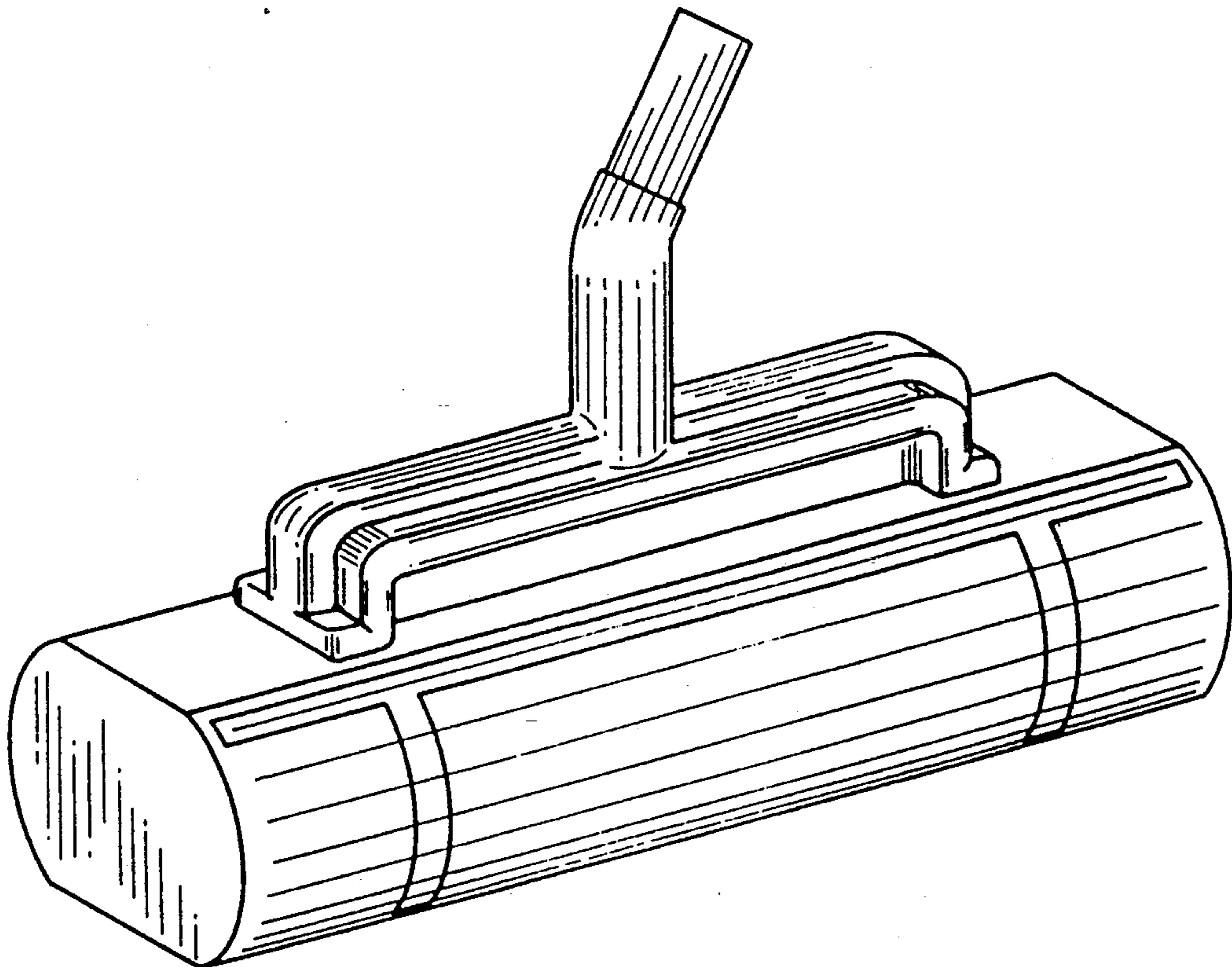
[58] Field of Search ..... **D21/214-220; 273/164, 167-175**

FIG. 2 is a rear elevational view thereof;  
FIG. 3 is a left side elevational view thereof;  
FIG. 4 is a right side elevational view thereof;  
FIG. 5 is a top plan view thereof;  
FIG. 6 is a bottom plan view thereof; and,  
FIG. 7 is a side perspective view thereof.

[56] **References Cited**

**U.S. PATENT DOCUMENTS**

D. 208,313 8/1967 Machos ..... D21/219



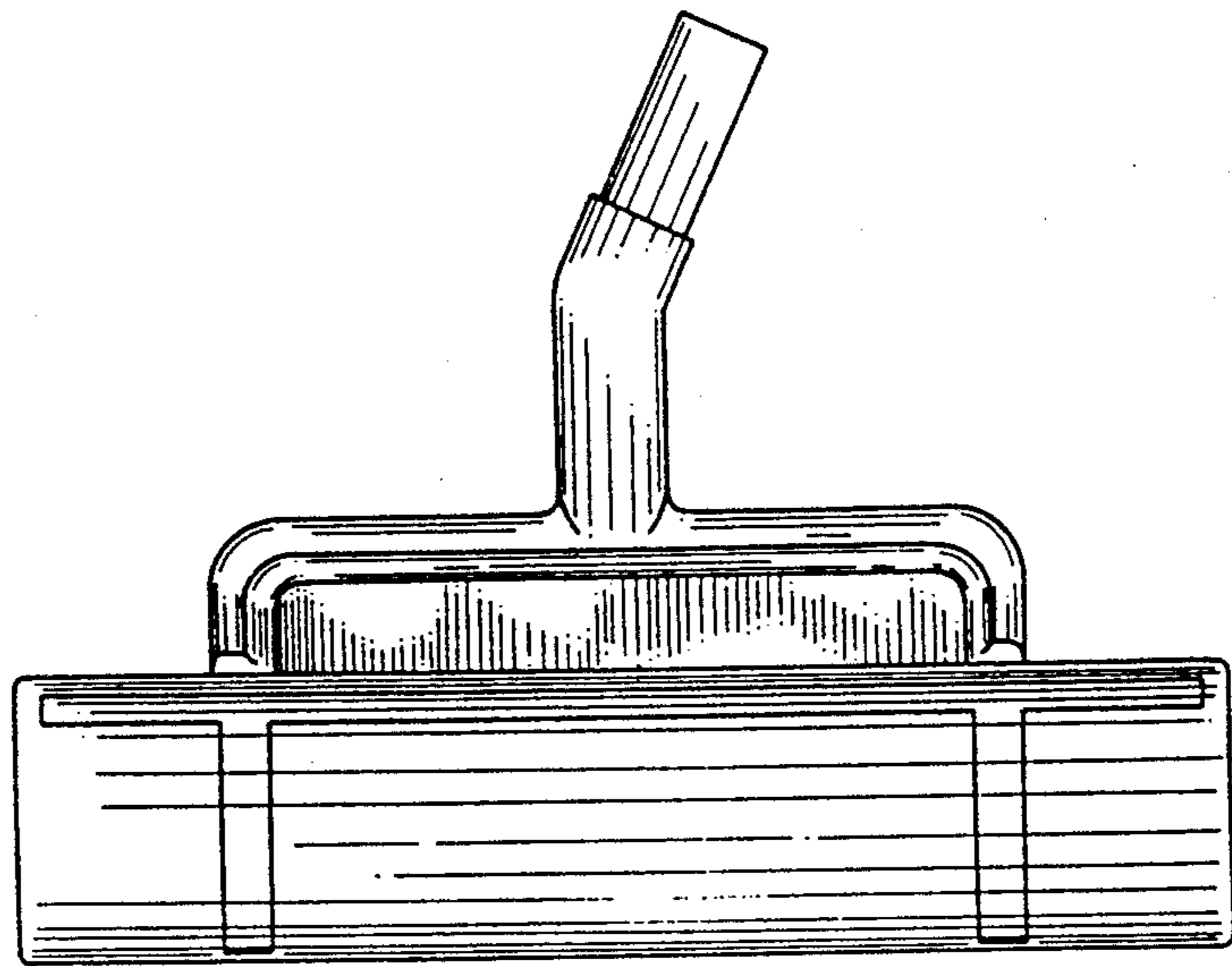


FIG. 1

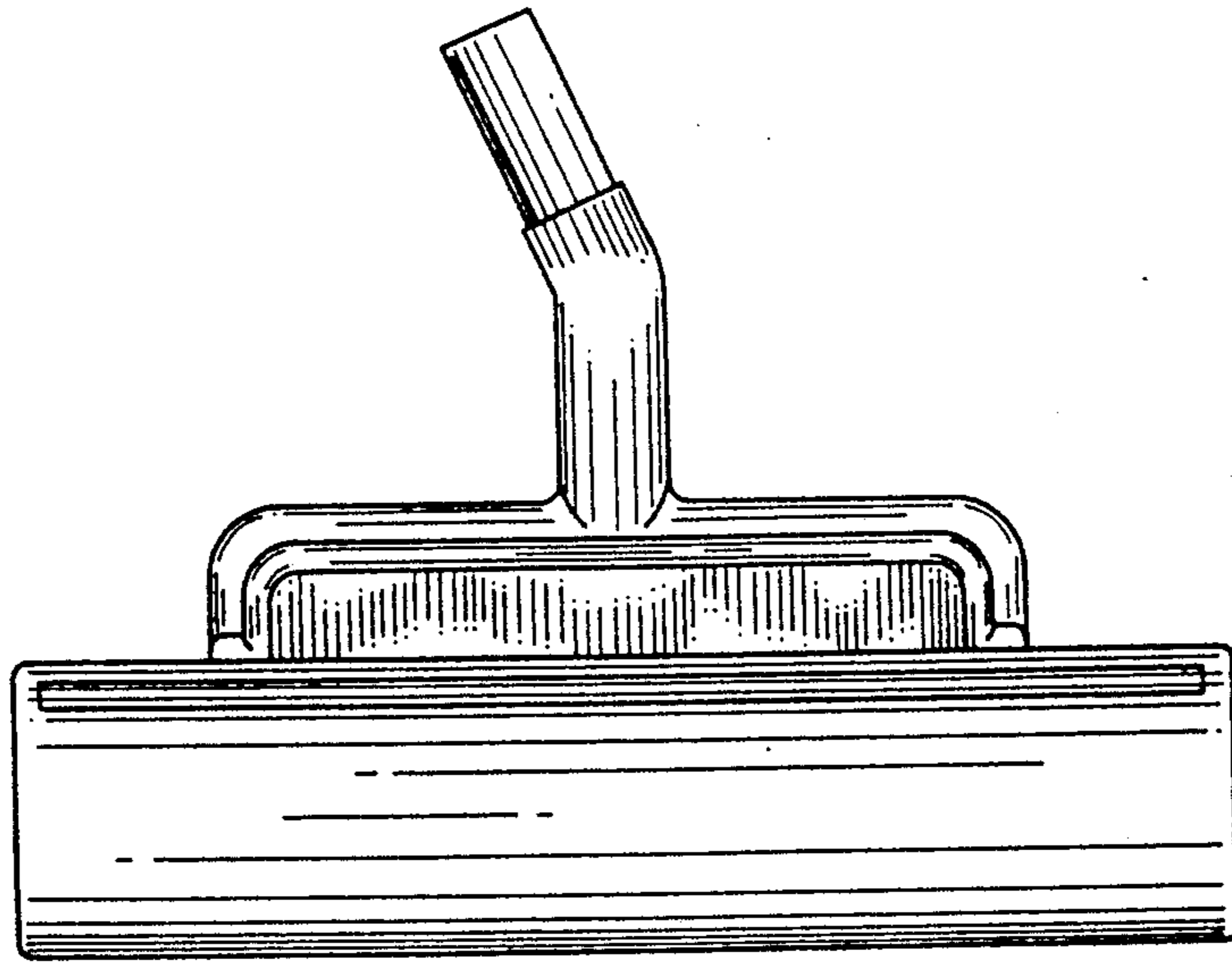


FIG. 2

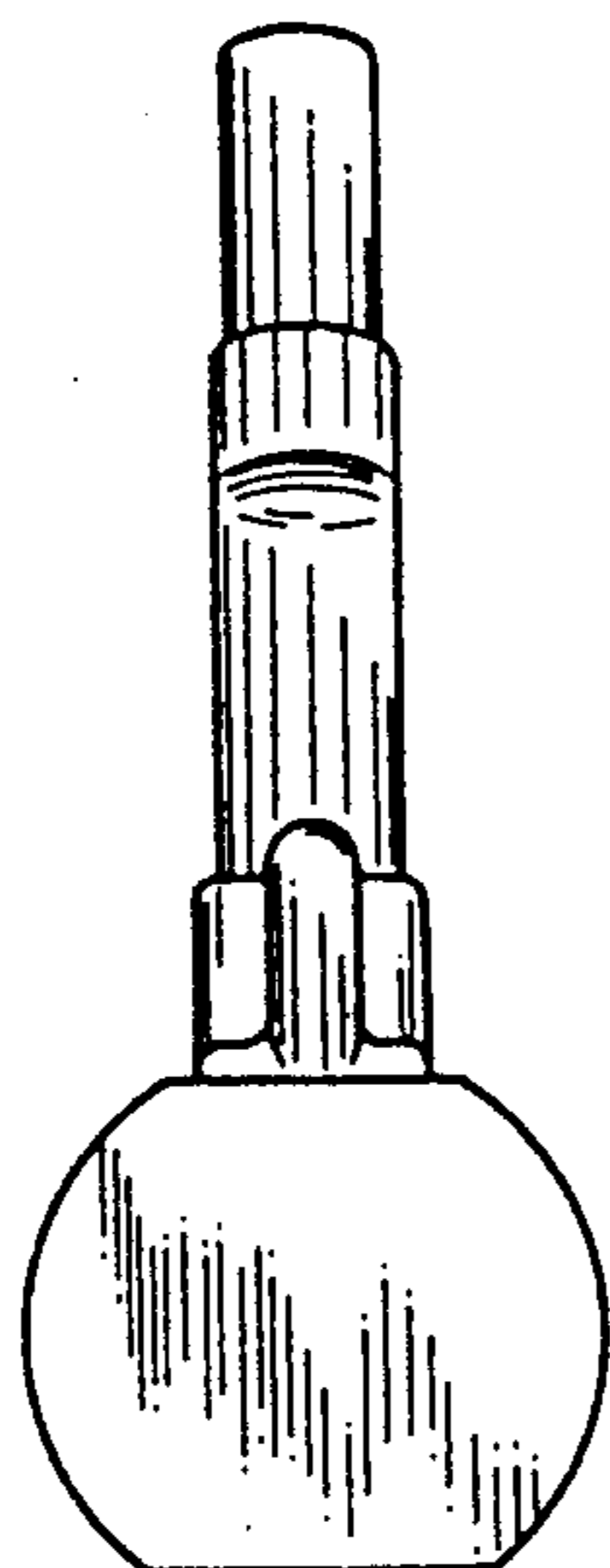


FIG. 3

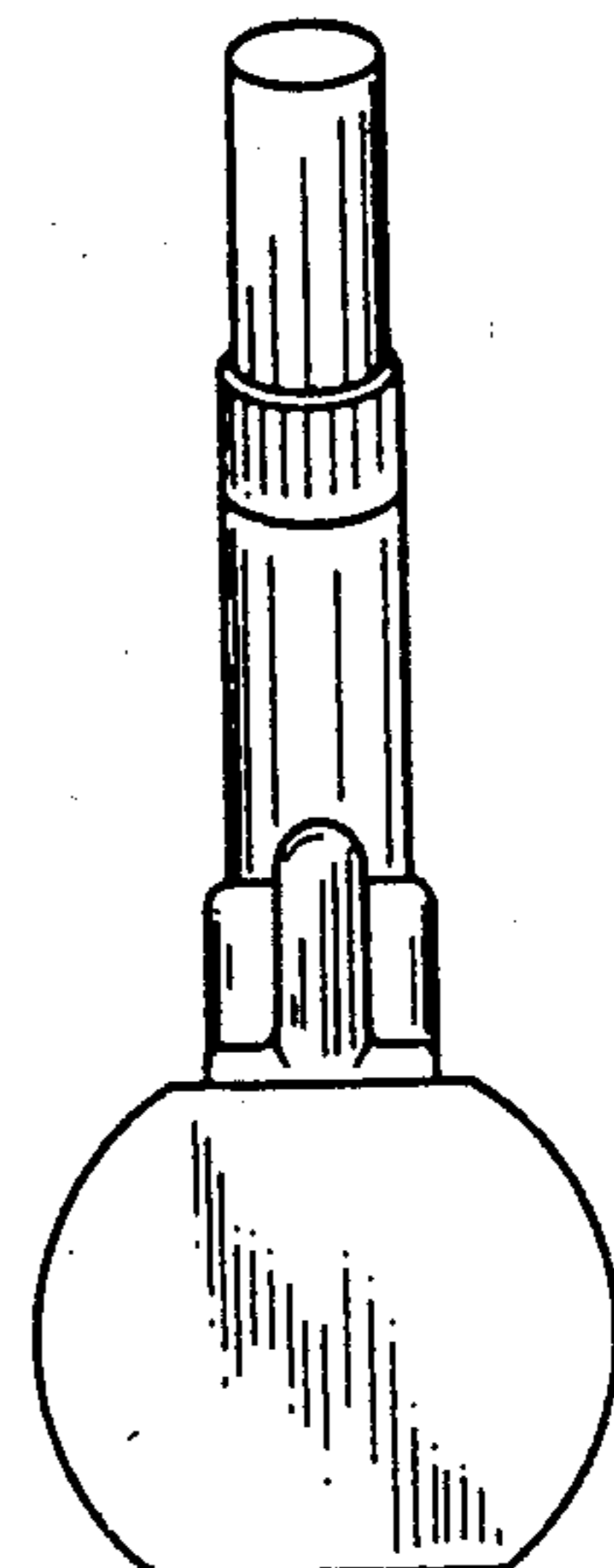


FIG. 4

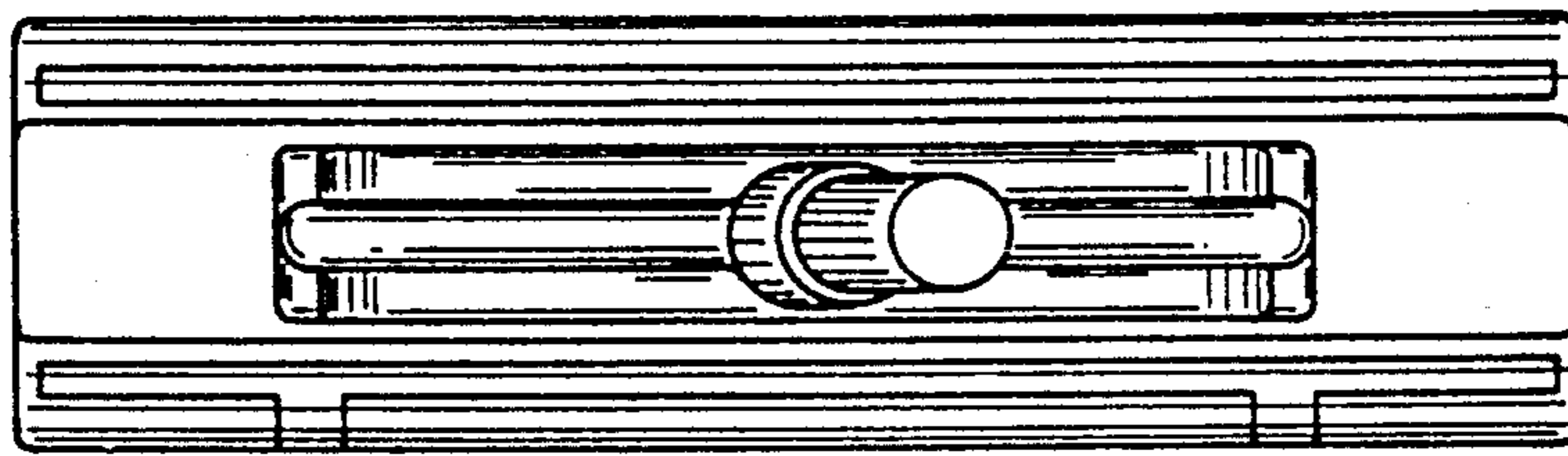


FIG. 5

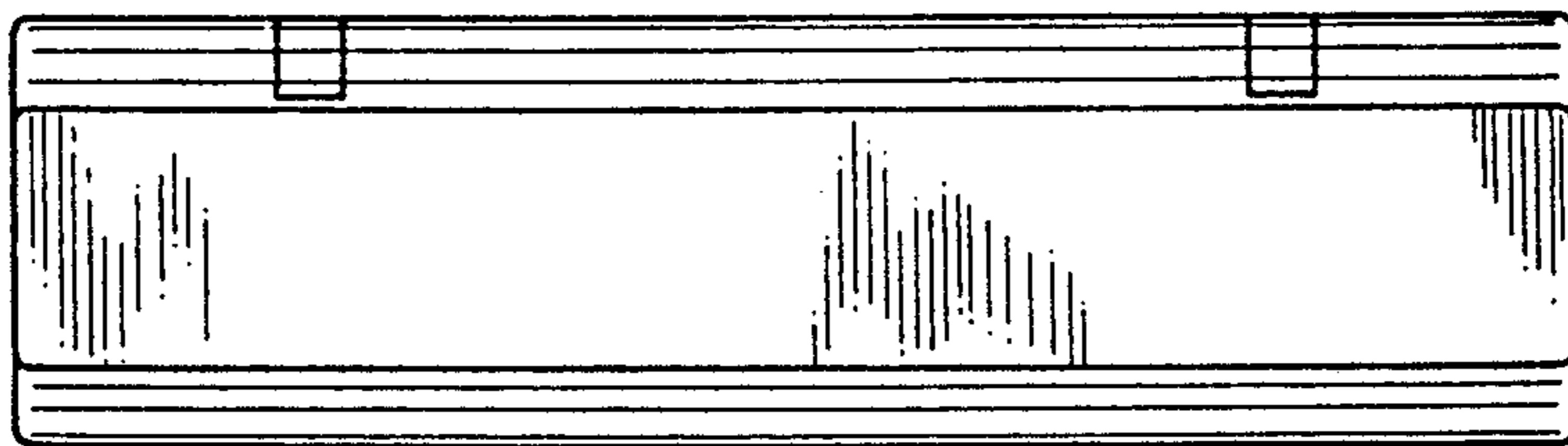


FIG. 6

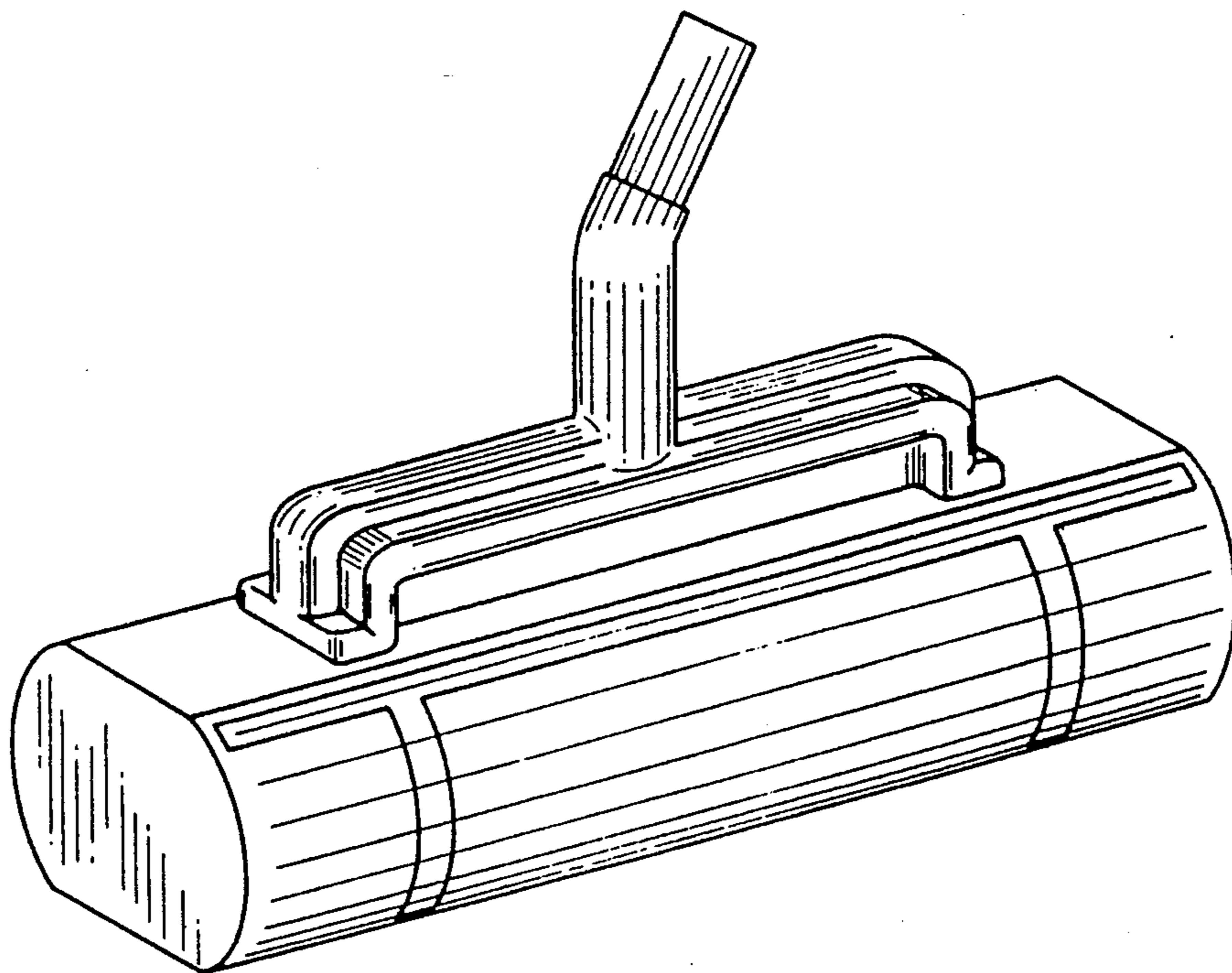


FIG. 7